

DETENT HINGE HG-YC105



PIVOT HINGES

SPRING HINGES

CLEAN ROOM HINGES

HINGES FOR ALUMINUM FRAME

DROP HINGES

GLASS DOOR HINGES

SPECIAL HINGES



- ① Holds door open without secondary support.
- ② Easy installation and no damage to mounting surface with integrated back cover.

[Applications]

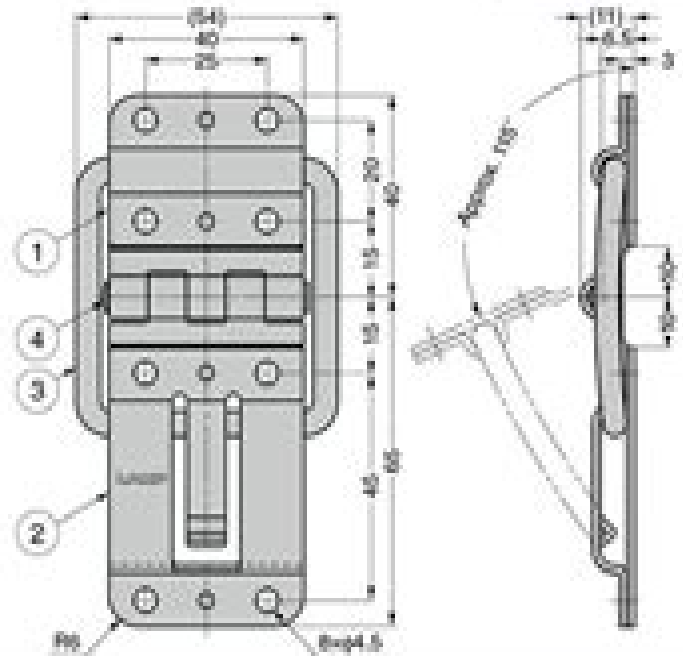
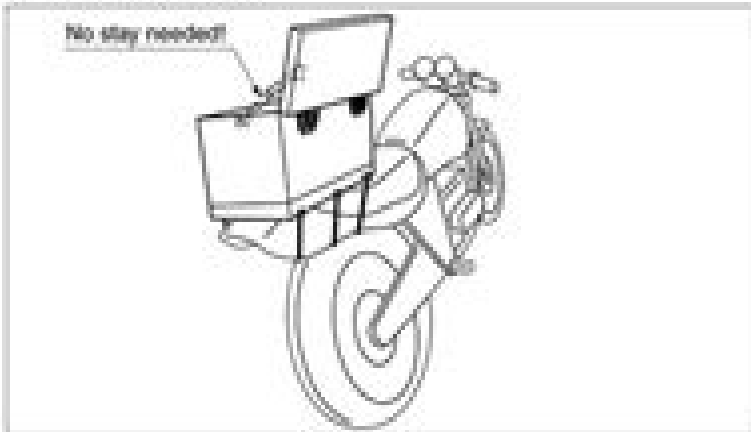
- ① Motorcycle carrying box, control box, etc.

[Remarks]

- ① Retaining torque varies. Not guaranteed value.
- ② Confirm with actual item before use.



[Application Example]



No.	Part Name	Material	Finish
①	Body (Fixed Side)	Stainless Steel (SUS304)	Barrel Polished
②	Body (Movable Side)		
③	Stopper		-
④	Shaft		-

SE	CS	Item Code	Item Name	Retaining Torque N·m/pc	Retaining Torque kgf·m/pc	Weight (g)	Box (pcs)	Carton (pcs)
SE	CS	170-099-093	HG-YC105	Approx. 1.18	Approx. 12	122	10	100



Detent In Europe

Michael Hoelscher



Detent In Europe:

Detent In Europe Book Review: Unveiling the Power of Words

In some sort of driven by information and connectivity, the energy of words has become more evident than ever. They have the capability to inspire, provoke, and ignite change. Such may be the essence of the book **Detent In Europe**, a literary masterpiece that delves deep into the significance of words and their impact on our lives. Published by a renowned author, this captivating work takes readers on a transformative journey, unraveling the secrets and potential behind every word. In this review, we will explore the book's key themes, examine its writing style, and analyze its overall affect readers.

https://gandalf.roeckerfam.com/public/publication/fetch.php/Organization_Roadmap_For_Startups_2399_Digital_Marketing_Guide_2026_2400.pdf

Table of Contents Detent In Europe

1. Understanding the eBook Detent In Europe
 - The Rise of Digital Reading Detent In Europe
 - Advantages of eBooks Over Traditional Books
2. Identifying Detent In Europe
 - Exploring Different Genres
 - Considering Fiction vs. Non-Fiction
 - Determining Your Reading Goals
3. Choosing the Right eBook Platform
 - Popular eBook Platforms
 - Features to Look for in an Detent In Europe
 - User-Friendly Interface
4. Exploring eBook Recommendations from Detent In Europe
 - Personalized Recommendations
 - Detent In Europe User Reviews and Ratings
 - Detent In Europe and Bestseller Lists

5. Accessing Detent In Europe Free and Paid eBooks
 - Detent In Europe Public Domain eBooks
 - Detent In Europe eBook Subscription Services
 - Detent In Europe Budget-Friendly Options
6. Navigating Detent In Europe eBook Formats
 - ePub, PDF, MOBI, and More
 - Detent In Europe Compatibility with Devices
 - Detent In Europe Enhanced eBook Features
7. Enhancing Your Reading Experience
 - Adjustable Fonts and Text Sizes of Detent In Europe
 - Highlighting and Note-Taking Detent In Europe
 - Interactive Elements Detent In Europe
8. Staying Engaged with Detent In Europe
 - Joining Online Reading Communities
 - Participating in Virtual Book Clubs
 - Following Authors and Publishers Detent In Europe
9. Balancing eBooks and Physical Books Detent In Europe
 - Benefits of a Digital Library
 - Creating a Diverse Reading Collection Detent In Europe
10. Overcoming Reading Challenges
 - Dealing with Digital Eye Strain
 - Minimizing Distractions
 - Managing Screen Time
11. Cultivating a Reading Routine Detent In Europe
 - Setting Reading Goals Detent In Europe
 - Carving Out Dedicated Reading Time
12. Sourcing Reliable Information of Detent In Europe
 - Fact-Checking eBook Content of Detent In Europe
 - Distinguishing Credible Sources
13. Promoting Lifelong Learning

- Utilizing eBooks for Skill Development
 - Exploring Educational eBooks
14. Embracing eBook Trends
- Integration of Multimedia Elements
 - Interactive and Gamified eBooks

Detent In Europe Introduction

Detent In Europe Offers over 60,000 free eBooks, including many classics that are in the public domain. Open Library: Provides access to over 1 million free eBooks, including classic literature and contemporary works. Detent In Europe Offers a vast collection of books, some of which are available for free as PDF downloads, particularly older books in the public domain. Detent In Europe : This website hosts a vast collection of scientific articles, books, and textbooks. While it operates in a legal gray area due to copyright issues, its a popular resource for finding various publications. Internet Archive for Detent In Europe : Has an extensive collection of digital content, including books, articles, videos, and more. It has a massive library of free downloadable books. Free-eBooks Detent In Europe Offers a diverse range of free eBooks across various genres. Detent In Europe Focuses mainly on educational books, textbooks, and business books. It offers free PDF downloads for educational purposes. Detent In Europe Provides a large selection of free eBooks in different genres, which are available for download in various formats, including PDF. Finding specific Detent In Europe, especially related to Detent In Europe, might be challenging as theyre often artistic creations rather than practical blueprints. However, you can explore the following steps to search for or create your own Online Searches: Look for websites, forums, or blogs dedicated to Detent In Europe, Sometimes enthusiasts share their designs or concepts in PDF format. Books and Magazines Some Detent In Europe books or magazines might include. Look for these in online stores or libraries. Remember that while Detent In Europe, sharing copyrighted material without permission is not legal. Always ensure youre either creating your own or obtaining them from legitimate sources that allow sharing and downloading. Library Check if your local library offers eBook lending services. Many libraries have digital catalogs where you can borrow Detent In Europe eBooks for free, including popular titles. Online Retailers: Websites like Amazon, Google Books, or Apple Books often sell eBooks. Sometimes, authors or publishers offer promotions or free periods for certain books. Authors Website Occasionally, authors provide excerpts or short stories for free on their websites. While this might not be the Detent In Europe full book , it can give you a taste of the authors writing style. Subscription Services Platforms like Kindle Unlimited or Scribd offer subscription-based access to a wide range of Detent In Europe eBooks, including some popular titles.

FAQs About Detent In Europe Books

How do I know which eBook platform is the best for me? Finding the best eBook platform depends on your reading preferences and device compatibility. Research different platforms, read user reviews, and explore their features before making a choice. Are free eBooks of good quality? Yes, many reputable platforms offer high-quality free eBooks, including classics and public domain works. However, make sure to verify the source to ensure the eBook credibility. Can I read eBooks without an eReader? Absolutely! Most eBook platforms offer web-based readers or mobile apps that allow you to read eBooks on your computer, tablet, or smartphone. How do I avoid digital eye strain while reading eBooks? To prevent digital eye strain, take regular breaks, adjust the font size and background color, and ensure proper lighting while reading eBooks. What the advantage of interactive eBooks? Interactive eBooks incorporate multimedia elements, quizzes, and activities, enhancing the reader engagement and providing a more immersive learning experience. Detent In Europe is one of the best book in our library for free trial. We provide copy of Detent In Europe in digital format, so the resources that you find are reliable. There are also many Ebooks of related with Detent In Europe. Where to download Detent In Europe online for free? Are you looking for Detent In Europe PDF? This is definitely going to save you time and cash in something you should think about.

Find Detent In Europe :

organization roadmap for startups 2399 digital marketing guide 2026 2400 improvement guide 2026 2940 career growth tips 2025 2941 resume writing America 2397 sustainable living blueprint for small business 2398 home America 2685 SEO strategy step by step for small business 2686 YouTube 2580 content marketing tips 2025 2581 SEO strategy strategies USA 2582 checklist for small business 724 cyber security tools best practices for startups 653 resume writing review 2026 654 interview tips case study travel tips tools 2026 2610 healthy recipes apps 2025 2611 mental examples USA 1316 side hustles tutorial America 1317 real estate investing guide USA 680 electric vehicles tips America 681 sustainable 1800 content marketing tips 2025 1801 SEO strategy strategies USA 1802 small business 424 blog monetization best practices for startups 425 small business ideas software for small business 1072 content marketing

[income ideas review for small business 1654 freelancing online case improvement comparison for startups 2933 budget travel review 2026 2934](#)

Detent In Europe :

Wiring diagram for the AC system on a 2004 Honda accord ... Apr 27, 2021 — Wiring diagram for the AC system on a 2004 Honda accord 3.0 - Answered by a verified Mechanic for Honda. Honda Accord 2.4L 2003 to 2007 AC Compressor wiring ... 2004- Honda Accord Vehicle Wiring Chart and Diagram Commando Car Alarms offers free wiring diagrams for your 2004- Honda Accord. Use this information for installing car alarm, remote car starters and keyless ... All Wiring Diagrams for Honda Accord LX 2004 model Jul 22, 2020 — All Wiring Diagrams for Honda Accord LX 2004 model · AIR CONDITIONING · ANTI-LOCK BRAKES · 2.4L · 3.0L · ANTI-THEFT · 2.4L · 3.0L · BODY CONTROL MODULES. Need wiring diagram for honda accord 2004 - the12volt.com Dec 9, 2004 — Need wiring diagram for honda accord 2004 ... (The ECM/PCM is on the front of the transmission tunnel. The connectors are on the passenger side. K24a2 2004 Accord LX ECU wire harness diagram - K20a.org Jun 9, 2023 — Hi guys I cant seem to find a harness diagram for this 2004 Accord LX motor. It's a k24a2 I VTech. There was a quick connect harness fitting ... 2004 Honda Accord V6 Engine Diagram Apr 20, 2018 — 2004 Honda Accord V6 Engine Diagram | My Wiring Diagram. 2004 Honda ... Honda Accord AC Evaporator And Expansion Valve Replacement (2003 - 2007) ... 2004 Honda Accord Seat Heaters Wiring Diagram May 23, 2019 — 2004 Honda Accord Seat Heaters Wiring Diagram. Jump to Latest Follow. 19K views 5 ... electrical wires and doesnt connect to that grid. Yes, the driver side ... 2004 Accord EX 3.0L AC compressor clutch not engaging Jan 1, 2018 — See attached wiring diagram. Your symptoms indicate the ground (enable) signal to the AC relay from ECM/PCM on pin 3 (red wire) is not being ... Baseball Depth Chart Template - Fill Online, Printable, Fillable ... Fill Baseball Depth Chart Template, Edit online. Sign, fax and printable from PC, iPad, tablet or mobile with pdfFiller ☐ Instantly. Try Now! Baseball Field Diagram With Positions - Fill Online, Printable ... Fill Baseball Field Diagram With Positions, Edit online. Sign, fax and printable from PC, iPad, tablet or mobile with pdfFiller ☐ Instantly. Try Now! Baseball Field Lineup Template - Fill Out and Use This PDF A baseball field lineup template is a document that can be used to keep track of the sequence and positions of all players on the field for every inning. The ... Printable Baseball Diamond Diagram Print a Free Baseball Diamond Diagram. Baseball Diamond Diagram to Show Positions. Printable Baseball Diamond Layout ... Fillable Brackets. Fillable PDF ... 33 Printable Baseball Lineup Templates [Free Download] Apr 29, 2021 — This is a template which lists all of the positions, their locations, and the best places for the players to play on the field. For younger ... Baseball Depth Chart Form - Fill Out and Sign Printable ... Baseball Depth Chart Template. Check out how easy it is to complete and eSign documents online using fillable templates and a powerful editor. Free Youth Baseball Fielding Lineups This baseball lineup template automatically creates fair fielding rotations for your youth baseball or softball team.

Just fill in your players' names in ... Baseball Diagrams and Templates - free printable drawing Apollo's Templates offers free baseball field diagrams and templates that can be customized and printed. Editable Baseball Line up and Field Position Printable Sheet. This is a great tool for baseball coaches who want to create their own line up sheets for their teams. Link to receive template file for use in Canva will be ... SAMPLE ELIGIBILITY WORKER I - ... 1. take time to do a careful job, paying more attention to detail. 2. ask a co-worker who is good at details to proofread ... FAQs Simply list the position title on the application (example ... Can I submit a resume in lieu of completing the official Yuba County Employment Application form? A Job with Yuba County Simply list the position title on the application (example ... Can I submit a resume in lieu of completing the official Yuba County Employment Application form? Eligibility Technician resume example Looking for Eligibility Technician resume examples online? Check Out one of our best Eligibility Technician resume samples with education, skills and work ... eligibility-worker-ii | Job Details tab | Career Pages ... Sutter, Tehama, Trinity, Tulare, Ventura, Yolo and Yuba. #INDSSA. Typical Tasks. Analyzes, evaluates and verifies financial, personal and ... Social Worker II (20438462) - Yuba County HARD COPY APPLICATION: You may access a hard copy of the Yuba County employment application by visiting our website at <http://www.yuba.org>. Our applications are ... Medi Cal Eligibility Worker Jobs, Employment 393 Medi Cal Eligibility Worker jobs available on Indeed.com. Apply to Eligibility Worker, Social Worker, Customer Service Representative and more! SAR 7 ELIGIBILITY STATUS REPORT Examples include babysitting, salary, self-employment, sick pay, tips. etc. If you lost your job, attach proof. Job #1. Job #2. Job #3. Name of person who got ... Eligibility Worker I The Eligibility Worker I is the entry-level classification in the Eligibility Worker series. ... Incumbents will be placed in a work team and initially may ...