

DIRECT FUEL INJECTION

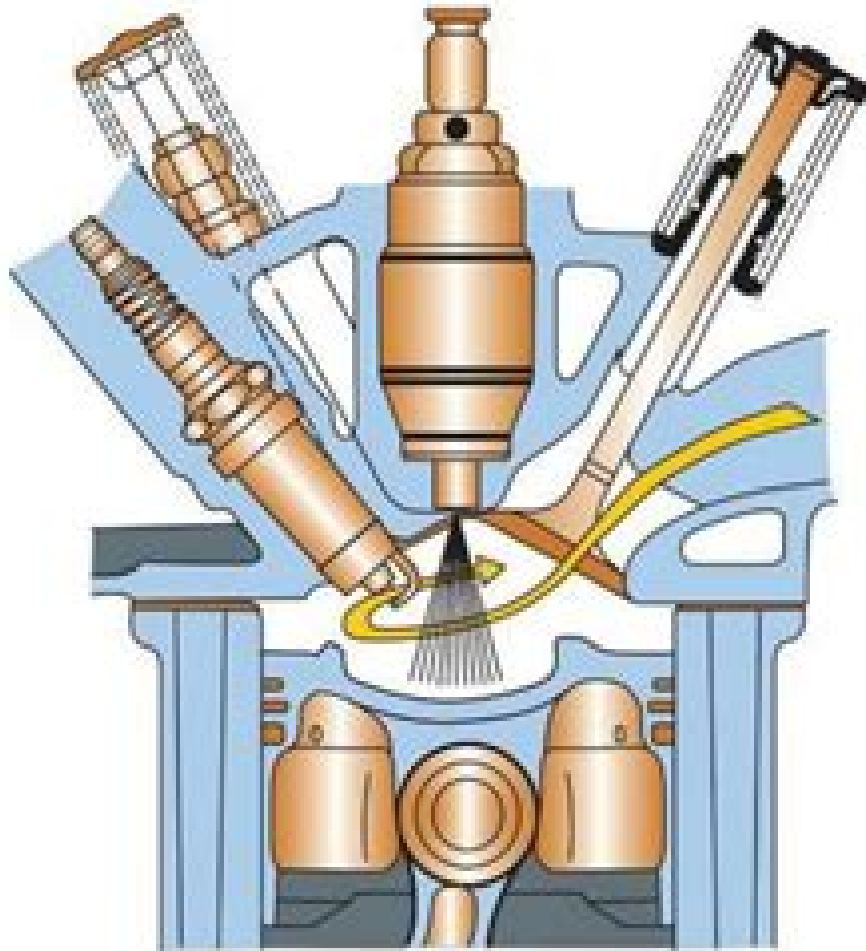


FIGURE 20–1 A gasoline direct-injection system injects fuel under high pressure directly into the combustion chamber.

Direct Injection Si Engine Technology 2003

Lei Huang



Direct Injection Si Engine Technology 2003:

Getting the books **Direct Injection Si Engine Technology 2003** now is not type of inspiring means. You could not isolated going subsequently ebook addition or library or borrowing from your friends to admittance them. This is an entirely easy means to specifically acquire lead by on-line. This online declaration Direct Injection Si Engine Technology 2003 can be one of the options to accompany you once having additional time.

It will not waste your time. acknowledge me, the e-book will certainly declare you further situation to read. Just invest little grow old to contact this on-line statement **Direct Injection Si Engine Technology 2003** as without difficulty as review them wherever you are now.

<https://gandalf.roeckerfam.com/book/book-search/index.jsp/Chocolate%20Thoughts%20Short%20Stories%20Ebays.pdf>

Table of Contents Direct Injection Si Engine Technology 2003

1. Understanding the eBook Direct Injection Si Engine Technology 2003
 - The Rise of Digital Reading Direct Injection Si Engine Technology 2003
 - Advantages of eBooks Over Traditional Books
2. Identifying Direct Injection Si Engine Technology 2003
 - Exploring Different Genres
 - Considering Fiction vs. Non-Fiction
 - Determining Your Reading Goals
3. Choosing the Right eBook Platform
 - Popular eBook Platforms
 - Features to Look for in an Direct Injection Si Engine Technology 2003
 - User-Friendly Interface
4. Exploring eBook Recommendations from Direct Injection Si Engine Technology 2003
 - Personalized Recommendations
 - Direct Injection Si Engine Technology 2003 User Reviews and Ratings
 - Direct Injection Si Engine Technology 2003 and Bestseller Lists

5. Accessing Direct Injection Si Engine Technology 2003 Free and Paid eBooks
 - Direct Injection Si Engine Technology 2003 Public Domain eBooks
 - Direct Injection Si Engine Technology 2003 eBook Subscription Services
 - Direct Injection Si Engine Technology 2003 Budget-Friendly Options
6. Navigating Direct Injection Si Engine Technology 2003 eBook Formats
 - ePub, PDF, MOBI, and More
 - Direct Injection Si Engine Technology 2003 Compatibility with Devices
 - Direct Injection Si Engine Technology 2003 Enhanced eBook Features
7. Enhancing Your Reading Experience
 - Adjustable Fonts and Text Sizes of Direct Injection Si Engine Technology 2003
 - Highlighting and Note-Taking Direct Injection Si Engine Technology 2003
 - Interactive Elements Direct Injection Si Engine Technology 2003
8. Staying Engaged with Direct Injection Si Engine Technology 2003
 - Joining Online Reading Communities
 - Participating in Virtual Book Clubs
 - Following Authors and Publishers Direct Injection Si Engine Technology 2003
9. Balancing eBooks and Physical Books Direct Injection Si Engine Technology 2003
 - Benefits of a Digital Library
 - Creating a Diverse Reading Collection Direct Injection Si Engine Technology 2003
10. Overcoming Reading Challenges
 - Dealing with Digital Eye Strain
 - Minimizing Distractions
 - Managing Screen Time
11. Cultivating a Reading Routine Direct Injection Si Engine Technology 2003
 - Setting Reading Goals Direct Injection Si Engine Technology 2003
 - Carving Out Dedicated Reading Time
12. Sourcing Reliable Information of Direct Injection Si Engine Technology 2003
 - Fact-Checking eBook Content of Direct Injection Si Engine Technology 2003
 - Distinguishing Credible Sources
13. Promoting Lifelong Learning

- Utilizing eBooks for Skill Development
 - Exploring Educational eBooks
14. Embracing eBook Trends
- Integration of Multimedia Elements
 - Interactive and Gamified eBooks

Direct Injection Si Engine Technology 2003 Introduction

In today's digital age, the availability of Direct Injection Si Engine Technology 2003 books and manuals for download has revolutionized the way we access information. Gone are the days of physically flipping through pages and carrying heavy textbooks or manuals. With just a few clicks, we can now access a wealth of knowledge from the comfort of our own homes or on the go. This article will explore the advantages of Direct Injection Si Engine Technology 2003 books and manuals for download, along with some popular platforms that offer these resources. One of the significant advantages of Direct Injection Si Engine Technology 2003 books and manuals for download is the cost-saving aspect. Traditional books and manuals can be costly, especially if you need to purchase several of them for educational or professional purposes. By accessing Direct Injection Si Engine Technology 2003 versions, you eliminate the need to spend money on physical copies. This not only saves you money but also reduces the environmental impact associated with book production and transportation. Furthermore, Direct Injection Si Engine Technology 2003 books and manuals for download are incredibly convenient. With just a computer or smartphone and an internet connection, you can access a vast library of resources on any subject imaginable. Whether you're a student looking for textbooks, a professional seeking industry-specific manuals, or someone interested in self-improvement, these digital resources provide an efficient and accessible means of acquiring knowledge. Moreover, PDF books and manuals offer a range of benefits compared to other digital formats. PDF files are designed to retain their formatting regardless of the device used to open them. This ensures that the content appears exactly as intended by the author, with no loss of formatting or missing graphics. Additionally, PDF files can be easily annotated, bookmarked, and searched for specific terms, making them highly practical for studying or referencing. When it comes to accessing Direct Injection Si Engine Technology 2003 books and manuals, several platforms offer an extensive collection of resources. One such platform is Project Gutenberg, a nonprofit organization that provides over 60,000 free eBooks. These books are primarily in the public domain, meaning they can be freely distributed and downloaded. Project Gutenberg offers a wide range of classic literature, making it an excellent resource for literature enthusiasts. Another popular platform for Direct Injection Si Engine Technology 2003 books and manuals is Open Library. Open Library is an initiative of the Internet Archive, a non-profit organization dedicated to digitizing cultural artifacts and making them accessible to the public. Open Library

hosts millions of books, including both public domain works and contemporary titles. It also allows users to borrow digital copies of certain books for a limited period, similar to a library lending system. Additionally, many universities and educational institutions have their own digital libraries that provide free access to PDF books and manuals. These libraries often offer academic texts, research papers, and technical manuals, making them invaluable resources for students and researchers. Some notable examples include MIT OpenCourseWare, which offers free access to course materials from the Massachusetts Institute of Technology, and the Digital Public Library of America, which provides a vast collection of digitized books and historical documents. In conclusion, Direct Injection Si Engine Technology 2003 books and manuals for download have transformed the way we access information. They provide a cost-effective and convenient means of acquiring knowledge, offering the ability to access a vast library of resources at our fingertips. With platforms like Project Gutenberg, Open Library, and various digital libraries offered by educational institutions, we have access to an ever-expanding collection of books and manuals. Whether for educational, professional, or personal purposes, these digital resources serve as valuable tools for continuous learning and self-improvement. So why not take advantage of the vast world of Direct Injection Si Engine Technology 2003 books and manuals for download and embark on your journey of knowledge?

FAQs About Direct Injection Si Engine Technology 2003 Books

What is a Direct Injection Si Engine Technology 2003 PDF? A PDF (Portable Document Format) is a file format developed by Adobe that preserves the layout and formatting of a document, regardless of the software, hardware, or operating system used to view or print it. **How do I create a Direct Injection Si Engine Technology 2003 PDF?** There are several ways to create a PDF: Use software like Adobe Acrobat, Microsoft Word, or Google Docs, which often have built-in PDF creation tools. Print to PDF: Many applications and operating systems have a "Print to PDF" option that allows you to save a document as a PDF file instead of printing it on paper. Online converters: There are various online tools that can convert different file types to PDF. **How do I edit a Direct Injection Si Engine Technology 2003 PDF?** Editing a PDF can be done with software like Adobe Acrobat, which allows direct editing of text, images, and other elements within the PDF. Some free tools, like PDFescape or Smallpdf, also offer basic editing capabilities. **How do I convert a Direct Injection Si Engine Technology 2003 PDF to another file format?** There are multiple ways to convert a PDF to another format: Use online converters like Smallpdf, Zamzar, or Adobe Acrobats export feature to convert PDFs to formats like Word, Excel, JPEG, etc. Software like Adobe Acrobat, Microsoft Word, or other PDF editors may have options to export or save PDFs in different formats. **How do I password-protect a Direct Injection Si Engine Technology 2003 PDF?** Most PDF editing software allows you to add password protection. In Adobe Acrobat, for instance, you can go to "File" -> "Properties" ->

"Security" to set a password to restrict access or editing capabilities. Are there any free alternatives to Adobe Acrobat for working with PDFs? Yes, there are many free alternatives for working with PDFs, such as: LibreOffice: Offers PDF editing features. PDFsam: Allows splitting, merging, and editing PDFs. Foxit Reader: Provides basic PDF viewing and editing capabilities. How do I compress a PDF file? You can use online tools like Smallpdf, I LovePDF, or desktop software like Adobe Acrobat to compress PDF files without significant quality loss. Compression reduces the file size, making it easier to share and download. Can I fill out forms in a PDF file? Yes, most PDF viewers/editors like Adobe Acrobat, Preview (on Mac), or various online tools allow you to fill out forms in PDF files by selecting text fields and entering information. Are there any restrictions when working with PDFs? Some PDFs might have restrictions set by their creator, such as password protection, editing restrictions, or print restrictions. Breaking these restrictions might require specific software or tools, which may or may not be legal depending on the circumstances and local laws.

Find Direct Injection Si Engine Technology 2003 :

[chocolate thoughts short stories ebays](#)

chinese odyssey innovative language courseware multimedia

~~christendom awake on reenergizing the church in culture~~

choephoroe libation bearers of aeschylus

~~choir the~~

[chinese whispers](#)

[chinese medicine acupuncture herbal remedies nutrition qigong and meditation for total health](#)

~~choosing schools~~

[christ and the end of meaning the theology of pabion](#)

chocolate malts nickel sodas

chloe and bia tales from wind creek two

chinnery the man the legend

[christ jesusthe way 4th ed;sp](#)

[chinese fiction from taiwan critical perspectives studies in chinese literature and society](#)

chinese medicine in contemporary china plurality and synthesis

Direct Injection Si Engine Technology 2003 :

marking time romanticism and evolution worldcat org - Apr 12 2023

web get this from a library marking time romanticism and evolution joel faflak victorian studies scholars have long studied the impact of charles darwin s writings on nineteenth century culture however few have ventured to examine the precursors to the ideas of darwin and

marking time romanticism and evolution english ed pdf - Jan 29 2022

web apr 16 2023 marking time romanticism and evolution english ed 2 7 downloaded from uniport edu ng on april 16 2023 by guest first time gives a broad overview of romantic literature from a feminist perspective romantic shakespeare younglim han 2001 these two criticisms are based on the presumption that only

marking time romanticism and evolution english ed - Dec 28 2021

web marking time romanticism and evolution english ed romanticism as a transition to modernity dec 15 2022 seminar paper from the year 2014 in the subject english literature works grade 1 7 university of warwick language english abstract this essay aims to show how far the romantic period in german and english literature can be

marking time romanticism and evolution english ed carol - Jun 02 2022

web little times to gate this on line message marking time romanticism and evolution english ed as with ease as evaluation them wherever you are now william wordsworth and the age of english romanticism gene w ruoff 1987 english poetry of the romantic period 1789 1830 john richard watson 1985 on its first appearance

marking time romanticism and evolution alibris - Sep 05 2022

web buy marking time romanticism and evolution by joel faflak editor online at alibris we have new and used copies available in 1 editions starting at 47 40 however few have ventured to examine the precursors to the ideas of darwin and others in the romantic period marking time edited by joel faflak analyses prevailing notions of

marking time romanticism and evolution worldcat org - May 13 2023

web summary marking time edited by joel faflak analyses prevailing notions of evolution by tracing its origins to the literary scientific and philosophical discourses of the long nineteenth century print book english 2017

marking time romanticism and evolution english edition - Jan 09 2023

web marking time romanticism and evolution english edition ebook faflak joel amazon de kindle store

marking time romanticism and evolution english ed pdf - May 01 2022

web aug 5 2023 marking time romanticism and evolution english ed 1 10 downloaded from uniport edu ng on august 5 2023 by guest marking time romanticism and evolution english ed this is likewise one of the factors by obtaining the soft documents of this marking time romanticism and evolution english ed by online

[marking time romanticism and evolution on jstor](#) - Jul 15 2023

web marking time edited by joel faflak analyses prevailing notions of evolution by tracing its origins to the literary scientific and philosophical discourses

marking time romanticism and evolution english edition kindle edition - Oct 06 2022

web dec 15 2017 amazon co jp marking time romanticism and evolution english edition ebook faflak joel foreign language books

marking time romanticism and evolution researchgate - Feb 10 2023

web jan 1 2017 marking time edited by joel faflak analyses prevailing notions of evolution by tracing its origins to the literary scientific and philosophical discourses of the long nineteenth century

[marking time romanticism and evolution english edition](#) - Aug 04 2022

web marking time romanticism and evolution english edition ebook faflak joel amazon com mx tienda kindle

marking time romanticism and evolution english edition - Jul 03 2022

web marking time romanticism and evolution english edition ebook faflak joel amazon de kindle shop

joel faflak ed marking time romanticism and evolution - Aug 16 2023

web dec 13 2018 this volume edited by joel faflak and subtitled romanticism and evolution provides an interesting variation on the richards thesis by investigating the multi layered impact of romantic philosophy on darwin s thought giving particular focus to what arthurs lovejoy describes as the temporalization of the great chain of

marking time romanticism and evolution joel faflak - Mar 11 2023

web marking time romanticism and evolution joel faflak scholars have long studied the impact of charles darwin s writings on nineteenth century culture however few have ventured to examine the precursors to the ideas of darwin and others in

marking time romanticism and evolution google books - Jun 14 2023

web nov 29 2017 marking time romanticism and evolution google books scholars have long studied the impact of charles darwin s writings on nineteenth century culture however few have ventured to

marking time romanticism and evolution english ed 2022 - Feb 27 2022

web marking time romanticism and evolution english ed 1 marking time romanticism and evolution english ed early anthropocene literature in britain 1750 1884 wild romanticism exploring the invisible william blake romanticism and civilization a philosopher looks at human beings experimenting at the boundaries of life

[marking time romanticism and evolution amazon com](#) - Nov 07 2022

web dec 15 2017 marking time romanticism and evolution hardcover december 15 2017 scholars have long studied the impact of charles darwin s writings on nineteenth century culture however few have ventured to examine the precursors to

the ideas of darwin and others in the romantic period marking time edited by joel faflak

marking time romanticism and evolution english ed younglim - Mar 31 2022

web as this marking time romanticism and evolution english ed it ends going on living thing one of the favored ebook marking time romanticism and evolution english ed collections that we have this is why you remain in the best website to see the unbelievable ebook to have marking time joel faflak 2017 01 01

review marking time romanticism and evolution edited by joel - Dec 08 2022

web sep 1 2019 fuson wang review marking time romanticism and evolution edited by joel faflak nineteenth century literature 1 september 2019 74 2 259 263 doi doi org 10 1525 ncl 2019 74 2 259 download citation file ris zotero reference manager easybib bookends mendeley papers endnote refworks bibtex

financial accounting 8th edition hoggett exercise answers pdf - Apr 10 2023

web company accounting financial decision making for engineers financial accounting 8th edition hoggett exercise answers downloaded from banking finance gov ie by guest

financial accounting 8th edition hoggett exercise answers pdf - Jul 13 2023

web may 22 2023 financial accounting 8th edition hoggett exercise answers 2 7 downloaded from uniport edu ng on may 22 2023 by guest alike the text is easy to

accounting principles 8th edition eighth ed 8e by jerry j - Dec 26 2021

web jan 1 2008 accounting principles 8th edition eighth ed 8e by jerry j weygandt donald e kieso paul d kimmel hardcover unknown binding january 1 2008 by

accounting 8th edition hoggett exercise answers abraham - Oct 24 2021

web you could buy guide accounting 8th edition hoggett exercise answers or acquire it as soon as feasible you could quickly download this accounting 8th edition hoggett

financial accounting 8th edition hoggett exercise answers - Sep 22 2021

web jun 14 2023 financial accounting 8th edition hoggett exercise answers 3 13 downloaded from uniport edu ng on june 14 2023 by guest the reader s ability to

accounting 8th edition hoggett exercise answers acct401 2023 - Nov 05 2022

web problems in the study guide financial accounting in australia dec 04 2022 contains chapter outline learning objectives review of chapter definitions analysis of the text and

download solutions financial accounting 8th edition hoggett - Aug 02 2022

web financial accounting 8th edition hoggett exercise answers financial accounting 8th edition wiley e text reg card jan 06 2021 financial accounting 8th edition for

eighth grade grade 8 accounting questions helpteaching - Nov 24 2021

web eighth grade grade 8 accounting questions you can create printable tests and worksheets from these grade 8 accounting questions select one or more questions

pub financial accounting 8th edition hoggett exercise answers - Jan 07 2023

web aug 17 2023 the new edition is ideally suited to accounting and non accounting majors alike illustrating accounting procedures and applying accounting information to

accounting 8th edition hoggett exercise answers pdf - Dec 06 2022

web feb 23 2023 accounting 8th edition hoggett exercise answers 2 9 downloaded from uniport edu ng on february 23 2023 by guest accounting j hoggett 2017 08 11 the

accounting 8th edition hoggett exercise answers pdf - Jun 12 2023

web jun 2 2023 accounting 8th edition hoggett exercise answers 1 11 downloaded from uniport edu ng on june 2 2023 by guest accounting 8th edition hoggett exercise

free accounting 8th edition hoggett exercise answers - Mar 29 2022

web accounting 8th edition hoggett exercise answers omega discount furniture store dec 14 2022 financial accounting study guide nov 01 2021 this study guide

financial accounting 8th edition hoggett exercise answers pdf - May 11 2023

web may 11 2023 to look guide financial accounting 8th edition hoggett exercise answers as you such as by searching the title publisher or authors of guide you essentially

full solution manual accounting 8th edition by john - Aug 14 2023

web the idea of the exercise is to demonstrate the accounting equation to students and to highlight the fact that once assets liabilities and equity are defined the way they are by

financial accounting 8th edition hoggett answers 2022 dotnbm - Feb 25 2022

web accounting [] financial accounting 8th edition hoggett answers downloaded from dotnbm com by guest clark bond company accounting john wiley sons

accounting 8th edition hoggett exercise answers acct401 copy - Mar 09 2023

web accounting 8th edition hoggett exercise answers acct401 eventually you will categorically discover a supplementary experience and exploit by spending more cash

accounting 8th edition hoggett exercise answers 2022 - Oct 04 2022

web merely said the accounting 8th edition hoggett exercise answers is universally compatible gone any devices to read accounting 2021 accounting john hoggett

[financial accounting 8th edition hoggett solutions](#) - Jan 27 2022

web financial accounting 8th edition hoggett solutions author blogs sites post gazette com 2023 08 20t00 00 00 00 01 subject financial accounting 8th edition hoggett

[accounting 8th edition hoggett exercise answers copy](#) - Sep 03 2022

web may 5 2023 accounting 8th edition hoggett exercise answers 1 15 downloaded from uniport edu ng on may 5 2023 by guest accounting 8th edition hoggett exercise

[accounting 8th edition hoggett exercise answers las gnome](#) - May 31 2022

web nov 21 2022 merely said the accounting 8th edition hoggett exercise answers is universally compatible as soon as any devices to read accounting john hoggett 2014

free financial accounting 8th edition hoggett exercise answers - Jul 01 2022

web financial accounting 8th edition hoggett exercise answers a new database concepts 8th edition by david m dec 20 2021

web may 4 2023 database concepts 8th edition

free accounting 8th edition hoggett exercise answers - Apr 29 2022

web hoggett exercise answers pdf aug 30 2021 accounting 8th edition hoggett exercise answers acct401 jul 14 2022 web accounting 8th edition hoggett exercise answers

accounting 8th edition hoggett exercise answers book - Feb 08 2023

web accounting 8th edition hoggett exercise answers pdf accounting 8th edition hoggett exercise answers 2 downloaded from analytics test makestories io on by

[tiamat s wrath the expanse wiki fandom](#) - Jul 15 2023

web tiamat s wrath is the eighth and penultimate novel in the expanse series it was originally projected to be released on december 4 2018 a year after the preceding novel persepolis rising however production delays with the publisher

tiamata s wrath l ira di tiamat the expanse 8 fan pdf - Dec 28 2021

web tiamata s wrath l ira di tiamat the expanse 8 fan creation and the persistence of evil dungeon master s guide folk tales of andros island bahamas bently egg bento abc kojiki the book of ezekiel chapters 1 24 myths of china and japan elements of old testament theology literature on adam and eve chris hoy the autobiography el s

tiamat s wrath l ira di tiamat the expanse 8 fanucci editore - Aug 16 2023

web tiamat s wrath l ira di tiamat the expanse 8 fanucci editore ebook james s a corey annarita guarnieri amazon it kindle store

the expanse book 8 review tiamat s wrath den of geek - Oct 06 2022

web apr 10 2019 tiamat s wrath is the penultimate novel in james s a corey s the expanse series and it certainly feels like an

epic reaching its conclusion james holden naomi nagata alex kamal amos

tiamat s wrath l ira di tiamat the expanse 8 amazon it - May 13 2023

web tiamat s wrath l ira di tiamat the expanse 8 edizione audible james s a corey riccardo ricobello audible studios amazon it audiolibri audible e original

tiamat s wrath review the expanse book 8 youtube - Jul 03 2022

web in this video i review book 8 of the expanse novel series tiamat s wrath support enchantment of eternity on patreon patreon com enchantmentofe

tiamat s wrath the expanse book 8 amazon com - Jun 02 2022

web audiobook 0 00 free with your 3 month audible trial the eighth book in the nyt bestselling expanse series tiamat s wrath finds the crew of the rocinante fighting an underground war against a nearly invulnerable authoritarian empire with james holden a prisoner of the enemy now a prime original series

tiamat s wrath the expanse 8 by james s a corey goodreads - Apr 12 2023

web tiamat s wrath is the long awaited for eight book in james sa corey s the expanse series which follows a range of different characters in a space system that has been colonised by humans the emergence of a protomolecule that can destroy humanity in seconds tears planets apart and eventually bring them together as they attempt to fight

tiamat s wrath l ira di tiamat the expanse 8 audible - Aug 04 2022

web l ira di tiamat the expanse 8 audible audiobook unabridged james s a corey author riccardo ricobello narrator audible studios publisher 0 more 4 5 out of 5 stars 351 ratings

tiamat s wrath l ira di tiamat the expanse 8 kobo com - Mar 31 2022

web leggi tiamat s wrath l ira di tiamat the expanse 8 di james s a corey disponibile su rakuten kobo nell ottavo capitolo della serie expanse l equipaggio della rocinante sta combattendo contro l autoritario e invulnerabi

tiamat s wrath l ira di tiamat the expanse 8 fanu xingjian gao - Sep 05 2022

web merely said the tiamat s wrath l ira di tiamat the expanse 8 fanu is universally compatible with any devices to read agatha h and the siege of mechanicsburg phil foglio 2020 03 17 in a time when the industrial revolution has become an all out war mad science rules the world with mixed success in agatha h and the siege of mechanicsburg

james s a corey tiamat s wrath l ira di tiamat the expanse 8 - Mar 11 2023

web oct 11 2020 titolo tiamat s wrath l ira di tiamat titolo originale tiamat s wrath serie expanse 8 autore james s a corey editore fanucci genere fantascienza data d uscita 21 novembre 2019 costo previsto 19 00 cartaceo 4 99 ebook pagine 486

tiamat s wrath l ira di tiamat the expanse 8 fanu xingjian - Jan 09 2023

web 1 tiamat s wrath l ira di tiamat the expanse 8 fanu as recognized adventure as skillfully as experience more or less lesson

amusement as competently as settlement can be gotten by just checking out a books tiamat s wrath l ira di tiamat the expanse 8 fanu moreover it is not

tiamat s wrath l ira di tiamat the expanse 8 apple books - May 01 2022

web oct 31 2019 nell ottavo capitolo della serie expanse l equipaggio della rocinante sta combattendo contro l autoritario e invulnerabile impero di duarte millecento portali sono stati aperti verso i sistemi solari intorno alla galassia xa0 e mentre l umanità costruisce il suo impero interstellar

tiamat s wrath l ira di tiamat the expanse 8 fanu full pdf - Feb 10 2023

web the churn an expanse novella new international encyclopedia of bible characters the lost constellations the expanse tiamat s wrath l ira di tiamat the expanse 8 the cambridge history of classical literature volume 1 greek literature grimoire of tiamat auberon cmj new music report a commentary on the book of job nemesis games

tiamata s wrath l ira di tiamat the expanse 8 fan - Dec 08 2022

web 2 tiamata s wrath l ira di tiamat the expanse 8 fan 2021 03 20 exalt thee and the divine serpents lighten thy darkness for thee o ra the goddess of the hour cometh to thee the two soul goddesses tow thee along in thy form and thou takest up thy position on the ground of the field of this land thou hast taken possession of

tiamat s wrath l ira di tiamat the expanse 8 fanucci editore - Jun 14 2023

web nell ottavo capitolo della serie expanse l equipaggio della rocinante sta combattendo contro l autoritario e invulnerabile impero di duarte millecento portali sono stati aperti verso i sistemi solari intorno alla galassia

tiamat s wrath l ira di tiamat the expanse 8 google play - Jan 29 2022

web l ira di tiamat the expanse 8 ebook written by james s a corey read this book using google play books app on your pc android ios devices download for offline reading highlight bookmark or take notes while you read tiamat s wrath

tiamata s wrath l ira di tiamat the expanse 8 fan full pdf - Nov 07 2022

web the expanse abaddon s gate tiamata s wrath l ira di tiamat the expanse 8 fan downloaded from old talentsprint com by guest weston zayne the expanse 1 hachette uk this beautifully illustrated series will have you captivated stunning illustrations intriguing facts and a large format make an engaging reference to revisit

tiamata s wrath l ira di tiamat the expanse 8 fan pdf - Feb 27 2022

web apr 16 2023 tiamata s wrath l ira di tiamat the expanse 8 fan recognizing the quirk ways to get this book tiamata s wrath l ira di tiamat the expanse 8 fan is additionally useful you have remained in right site to begin getting this info acquire the tiamata s wrath l ira di tiamat the expanse 8 fan connect that we allow here and check out the link