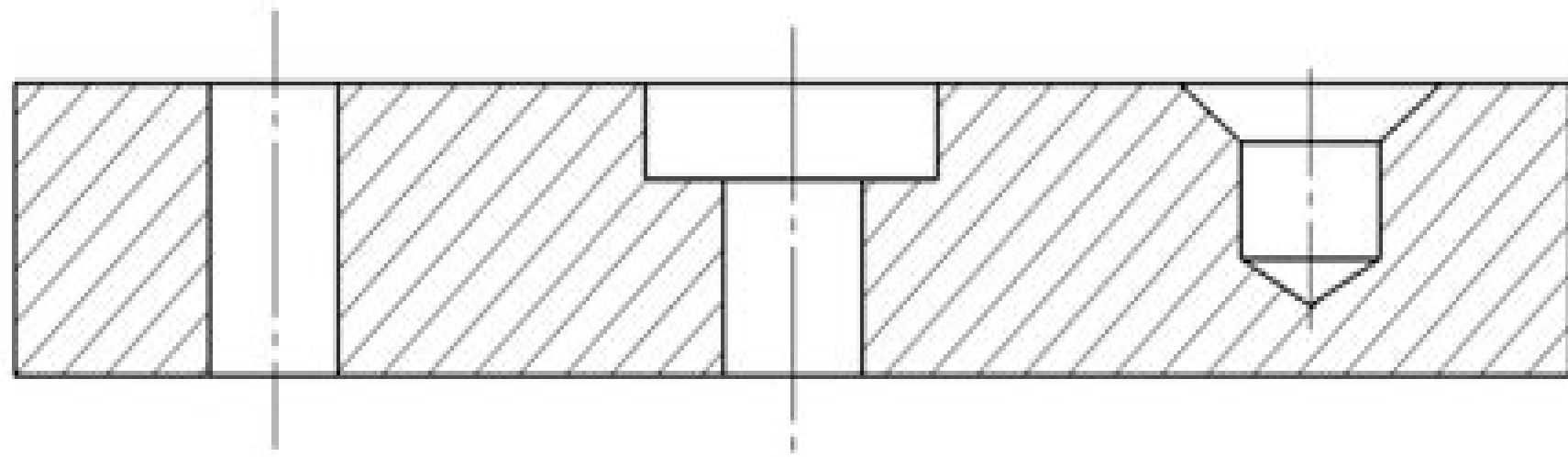
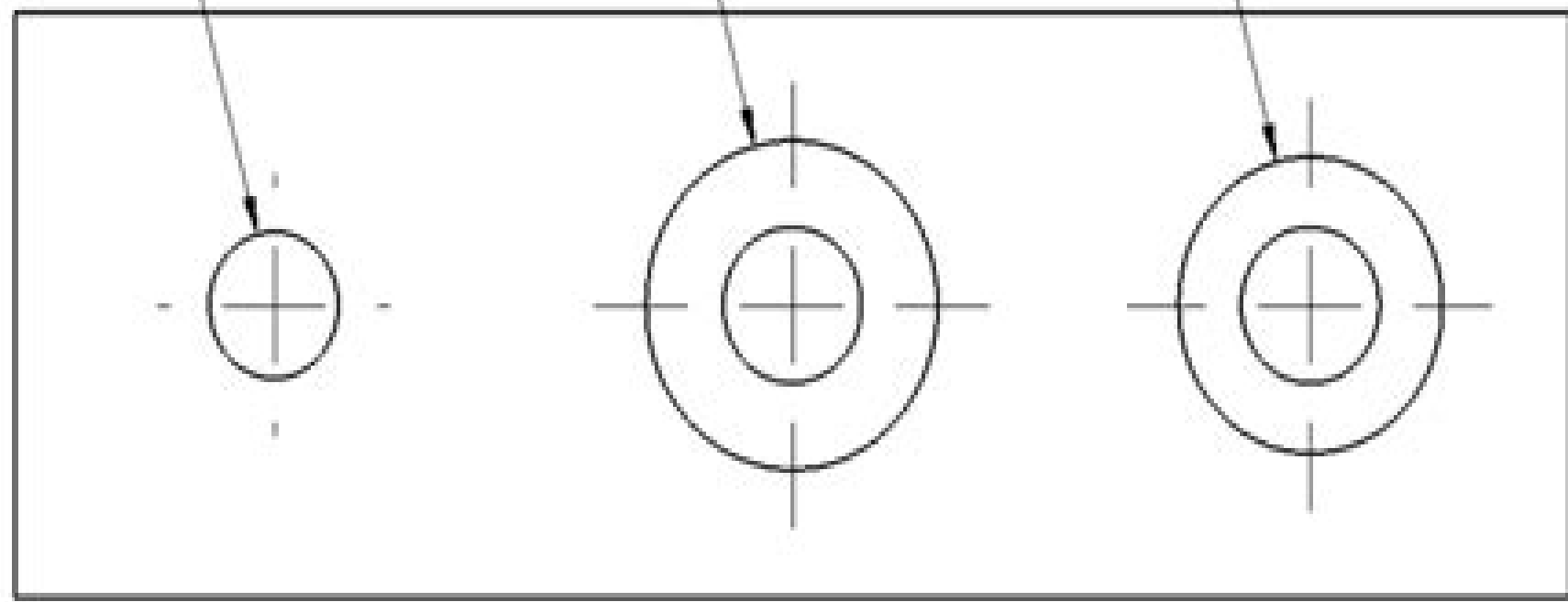


$\phi .25$ THRU

$\phi .27$ THRU ALL
 $\square \phi .56 \nabla .17$

$\phi .27 \nabla .30$
 $\nabla \phi .51 \times 100^\circ$



Dimensioning For Interchangeable Manufac

LM Reder



Dimensioning For Interchangeable Manufac:

Decoding **Dimensioning For Interchangeable Manufac**: Revealing the Captivating Potential of Verbal Expression

In a time characterized by interconnectedness and an insatiable thirst for knowledge, the captivating potential of verbal expression has emerged as a formidable force. Its power to evoke sentiments, stimulate introspection, and incite profound transformations is genuinely awe-inspiring. Within the pages of "**Dimensioning For Interchangeable Manufac**," a mesmerizing literary creation penned with a celebrated wordsmith, readers set about an enlightening odyssey, unraveling the intricate significance of language and its enduring impact on our lives. In this appraisal, we shall explore the book's central themes, evaluate its distinctive writing style, and gauge its pervasive influence on the hearts and minds of its readership.

https://gandalf.roeckerfam.com/About/uploaded-files/Download_PDFS/Dumbing_Us_Down_The_Hidden_Curriculum_Of_Compulsory_Schooling_By.pdf

Table of Contents Dimensioning For Interchangeable Manufac

1. Understanding the eBook Dimensioning For Interchangeable Manufac
 - The Rise of Digital Reading Dimensioning For Interchangeable Manufac
 - Advantages of eBooks Over Traditional Books
2. Identifying Dimensioning For Interchangeable Manufac
 - Exploring Different Genres
 - Considering Fiction vs. Non-Fiction
 - Determining Your Reading Goals
3. Choosing the Right eBook Platform
 - Popular eBook Platforms
 - Features to Look for in a Dimensioning For Interchangeable Manufac
 - User-Friendly Interface
4. Exploring eBook Recommendations from Dimensioning For Interchangeable Manufac
 - Personalized Recommendations

- Dimensioning For Interchangeable Manufac User Reviews and Ratings
- Dimensioning For Interchangeable Manufac and Bestseller Lists
- 5. Accessing Dimensioning For Interchangeable Manufac Free and Paid eBooks
 - Dimensioning For Interchangeable Manufac Public Domain eBooks
 - Dimensioning For Interchangeable Manufac eBook Subscription Services
 - Dimensioning For Interchangeable Manufac Budget-Friendly Options
- 6. Navigating Dimensioning For Interchangeable Manufac eBook Formats
 - ePub, PDF, MOBI, and More
 - Dimensioning For Interchangeable Manufac Compatibility with Devices
 - Dimensioning For Interchangeable Manufac Enhanced eBook Features
- 7. Enhancing Your Reading Experience
 - Adjustable Fonts and Text Sizes of Dimensioning For Interchangeable Manufac
 - Highlighting and Note-Taking Dimensioning For Interchangeable Manufac
 - Interactive Elements Dimensioning For Interchangeable Manufac
- 8. Staying Engaged with Dimensioning For Interchangeable Manufac
 - Joining Online Reading Communities
 - Participating in Virtual Book Clubs
 - Following Authors and Publishers Dimensioning For Interchangeable Manufac
- 9. Balancing eBooks and Physical Books Dimensioning For Interchangeable Manufac
 - Benefits of a Digital Library
 - Creating a Diverse Reading Collection Dimensioning For Interchangeable Manufac
- 10. Overcoming Reading Challenges
 - Dealing with Digital Eye Strain
 - Minimizing Distractions
 - Managing Screen Time
- 11. Cultivating a Reading Routine Dimensioning For Interchangeable Manufac
 - Setting Reading Goals Dimensioning For Interchangeable Manufac
 - Carving Out Dedicated Reading Time
- 12. Sourcing Reliable Information of Dimensioning For Interchangeable Manufac
 - Fact-Checking eBook Content of Dimensioning For Interchangeable Manufac

- Distinguishing Credible Sources
- 13. Promoting Lifelong Learning
 - Utilizing eBooks for Skill Development
 - Exploring Educational eBooks
- 14. Embracing eBook Trends
 - Integration of Multimedia Elements
 - Interactive and Gamified eBooks

Dimensioning For Interchangeable Manufac Introduction

Dimensioning For Interchangeable Manufac Offers over 60,000 free eBooks, including many classics that are in the public domain. Open Library: Provides access to over 1 million free eBooks, including classic literature and contemporary works. Dimensioning For Interchangeable Manufac Offers a vast collection of books, some of which are available for free as PDF downloads, particularly older books in the public domain. Dimensioning For Interchangeable Manufac : This website hosts a vast collection of scientific articles, books, and textbooks. While it operates in a legal gray area due to copyright issues, its a popular resource for finding various publications. Internet Archive for Dimensioning For Interchangeable Manufac : Has an extensive collection of digital content, including books, articles, videos, and more. It has a massive library of free downloadable books. Free-eBooks Dimensioning For Interchangeable Manufac Offers a diverse range of free eBooks across various genres. Dimensioning For Interchangeable Manufac Focuses mainly on educational books, textbooks, and business books. It offers free PDF downloads for educational purposes. Dimensioning For Interchangeable Manufac Provides a large selection of free eBooks in different genres, which are available for download in various formats, including PDF. Finding specific Dimensioning For Interchangeable Manufac, especially related to Dimensioning For Interchangeable Manufac, might be challenging as theyre often artistic creations rather than practical blueprints. However, you can explore the following steps to search for or create your own Online Searches: Look for websites, forums, or blogs dedicated to Dimensioning For Interchangeable Manufac, Sometimes enthusiasts share their designs or concepts in PDF format. Books and Magazines Some Dimensioning For Interchangeable Manufac books or magazines might include. Look for these in online stores or libraries. Remember that while Dimensioning For Interchangeable Manufac, sharing copyrighted material without permission is not legal. Always ensure youre either creating your own or obtaining them from legitimate sources that allow sharing and downloading. Library Check if your local library offers eBook lending services. Many libraries have digital catalogs where you can borrow Dimensioning For Interchangeable Manufac eBooks for free, including popular titles. Online Retailers: Websites like Amazon, Google Books, or Apple Books often sell eBooks. Sometimes, authors or publishers offer promotions or free

periods for certain books. Authors Website Occasionally, authors provide excerpts or short stories for free on their websites. While this might not be the Dimensioning For Interchangeable Manufac full book , it can give you a taste of the authors writing style. Subscription Services Platforms like Kindle Unlimited or Scribd offer subscription-based access to a wide range of Dimensioning For Interchangeable Manufac eBooks, including some popular titles.

FAQs About Dimensioning For Interchangeable Manufac Books

How do I know which eBook platform is the best for me? Finding the best eBook platform depends on your reading preferences and device compatibility. Research different platforms, read user reviews, and explore their features before making a choice. Are free eBooks of good quality? Yes, many reputable platforms offer high-quality free eBooks, including classics and public domain works. However, make sure to verify the source to ensure the eBook credibility. Can I read eBooks without an eReader? Absolutely! Most eBook platforms offer web-based readers or mobile apps that allow you to read eBooks on your computer, tablet, or smartphone. How do I avoid digital eye strain while reading eBooks? To prevent digital eye strain, take regular breaks, adjust the font size and background color, and ensure proper lighting while reading eBooks. What the advantage of interactive eBooks? Interactive eBooks incorporate multimedia elements, quizzes, and activities, enhancing the reader engagement and providing a more immersive learning experience. Dimensioning For Interchangeable Manufac is one of the best book in our library for free trial. We provide copy of Dimensioning For Interchangeable Manufac in digital format, so the resources that you find are reliable. There are also many Ebooks of related with Dimensioning For Interchangeable Manufac. Where to download Dimensioning For Interchangeable Manufac online for free? Are you looking for Dimensioning For Interchangeable Manufac PDF? This is definitely going to save you time and cash in something you should think about.

Find Dimensioning For Interchangeable Manufac :

dumbing us down the hidden curriculum of compulsory schooling by
[dynamic balance social capital and sustainable community development](#)

dva konvoia pq17 i pq18

duchesss diary

[dwarf rabbits](#)

[duplex the first collection](#)

dynamic hong kong busineb culture

ducks will play

duets of motion poems fiction

dust devils

duck in the truck

~~dynamic astronomy~~

dying for tomorrow

~~dubai insight pocket guide~~

duffy an autobiography

Dimensioning For Interchangeable Manufac :

Alkinoos, Didaskalikos: Lehrbuch der Grundsätze Platons. ... Alkinoos, Didaskalikos: Lehrbuch der Grundsätze Platons. Einleitung, Text, Übersetzung und Anmerkungen (Sammlung wissenschaftlicher Commentare (SWC)). Alkinoos, Didaskalikos. Lehrbuch der Grundsätze Platons ... Summerell, Thomas Zimmer, Alkinoos, Didaskalikos : Lehrbuch der Grundsätze Platons : Einleitung, Text, Übersetzung und Anmerkungen. Sammlung ... Alkinoos, Didaskalikos Alkinoos, Didaskalikos. Lehrbuch der Grundsätze Platons. Einleitung, Text, Übersetzung und Anmerkungen. Albinus <Platonicus>. Albinus. Diesen Autor / diese ... Alkinoos, Didaskalikos: Lehrbuch der Grundsätze Platons. ... Alkinoos, Didaskalikos: Lehrbuch der Grundsätze Platons. Einleitung, Text, Übersetzung und Anmerkungen (Sammlung wissenschaftlicher Commentare (SWC)). ALKINOOS' LEHRBUCH DER GRUNDSÄTZE PLATONS ALKINOOS' LEHRBUCH DER GRUNDSÄTZE PLATONS was published in Alkinoos, Didaskalikos on page 1 ... ANMERKUNGEN · Subjects · Architecture and Design · Arts · Asian ... Alkinoos, Didaskalikos: Lehrbuch der Grundsätze Platons. ... Der vorliegenden Edition und Erstübersetzung ins Deutsche werden eine Einleitung sowie eine Bibliographie vorangestellt. Die Anmerkungen zum Text erläutern ... Alkinoos, Didaskalikos: Lehrbuch Der Grundsätze Platons. ... Alkinoos, Didaskalikos: Lehrbuch Der Grundsätze Platons. Einleitung, Text, Uebersetzung Und Anmerkungen ; Product Details. Price. £115.00. Publisher. de Gruyter. Albinus & Orrin F. Summerell, Alkinoos, Didaskalikos: Lehrbuch ... Introduction, Text, Translation and Commentary: Einleitung, Text, Übersetzung Und Kommentar. Walter de Gruyter. Grundsätze der Philosophie der Zukunft Kritische ... Alkinoos, Didaskalikos: Lehrbuch der Grundsätze Platons Alkinoos, Didaskalikos: Lehrbuch der Grundsätze Platons: Einleitung, Text, Uebersetzung Und Anmerkungen. Author / Uploaded; Orrin F. Summerell. Table of ... alkinoos didaskalikos lehrbuch der grundsätze platons ... Jul 15, 2023 — Right here, we have countless books alkinoos didaskalikos lehrbuch der grundsätze platons einleitung text uebersetzung und anmerkungen and ... Microsoft BizTalk 2010: Line of Business Systems Integration A practical guide to integrating Line of

Business systems with Microsoft BizTalk Server 2010 Deliver integrated Line of Business solutions more efficiently ...

Microsoft BizTalk 2010: Line of Business Systems Integration A practical guide to integrating Line of Business systems with BizTalk Server 2010. Microsoft BizTalk 2010: Line of Business Systems Integration Microsoft BizTalk is an integration server solution that allows businesses to connect disparate systems. In today's business climate of mergers and acquisitions ...

Microsoft BizTalk 2010: Line of Business Systems Integration | Guide ... This book will be a tutorial that focuses on integrating BizTalk with Line of Business systems using practical scenarios. Each chapter will take a Line of ...

Microsoft BizTalk 2010: Line of Business Systems Integration This book will give you the impetus that you need to tackle the most challenging LOB integration requirements. It is a great resource for any BizTalk Architects ...

Microsoft BizTalk 2010: Line of Business Systems Integration Microsoft BizTalk 2010: Line of Business Systems Integration · Paperback · \$65.99. Microsoft BizTalk 2010: Line of Business Systems Integration This book assumes developers are comfortable creating schemas, maps, orchestrations, ports and messages in Visual Studio and configuring applications in the ...

Microsoft BizTalk 2010: Line of Business Systems ... Microsoft BizTalk 2010: Line of Business Systems Integration 1st Edition is written by Kent Weare, Richard Seroter, Sergei Moukhniatski and published by ...

Microsoft BizTalk 2010: Line of Business Systems Integration For anybody that is planing on using the SAP adapter I recomend this book. Makes the installation of the adapter a lot easier. But I have one question. Microsoft BizTalk 2010 line of business systems integration Microsoft BizTalk 2010 line of business systems integration : a practical guide to integrating line of business systems with BizTalk Server 2010 / Kent Weare ..

Breaking Through Chapter Summaries Mar 14, 2018 — Chapter 1: The Jimenez family live in America illegally and are worried about immigration. They get caught and are deported back to Mexico. They ... "Breaking Through" Summaries Flashcards The Jiménez Family was deported to Mexico. Papá agreed to send Francisco and Roberto to California to work and study until the family was reunited again. Breaking Through Summary and Study Guide As he grows into a young man, Francisco is angered by the social injustice that he witnesses personally and reads about in school. He becomes determined to meet ...

Breaking Through Chapters 1-3 Summary & Analysis Chapter 1 Summary: "Forced Out". The book opens with a description by the author and protagonist, Francisco Jiménez (a.k.a. "Panchito") of the fear he recalls ...

Breaking Through Summary & Study Guide The book is about the author, Francisco Jimenez, and his experience as a Mexican immigrant in the United States. Each chapter is a different anecdote, and the ...

Breaking Through - Chapters 6 - 10 Summary & Analysis Breaking Through - Chapters 6 - 10 Summary & Analysis. Francisco Jiménez. This Study Guide consists of approximately 51 pages of chapter summaries, quotes ...

Breaking Through " Chapter 1 - Forced Out" " Breaking Through" In this Autobiography about a Francisco Jimenez, together with his older brother Roberto and his mother, are caught by la migra.

Breaking Through Sequel to: The circuit. Summary: Having come from Mexico to California ten years ago, fourteen-year-old Francisco is still working in the fields but fighting. Breaking Through Francisco Jimenez Chapter 1 Forced Out Chapter 5

Breaking through.docx - Anh Le Instructor... The chapter end up with the Panchito's graduation. Reflection: After reading the chapter, I admire what Panchito has been trying. Works in the field cannot slow ...