

DIRECT FUEL INJECTION

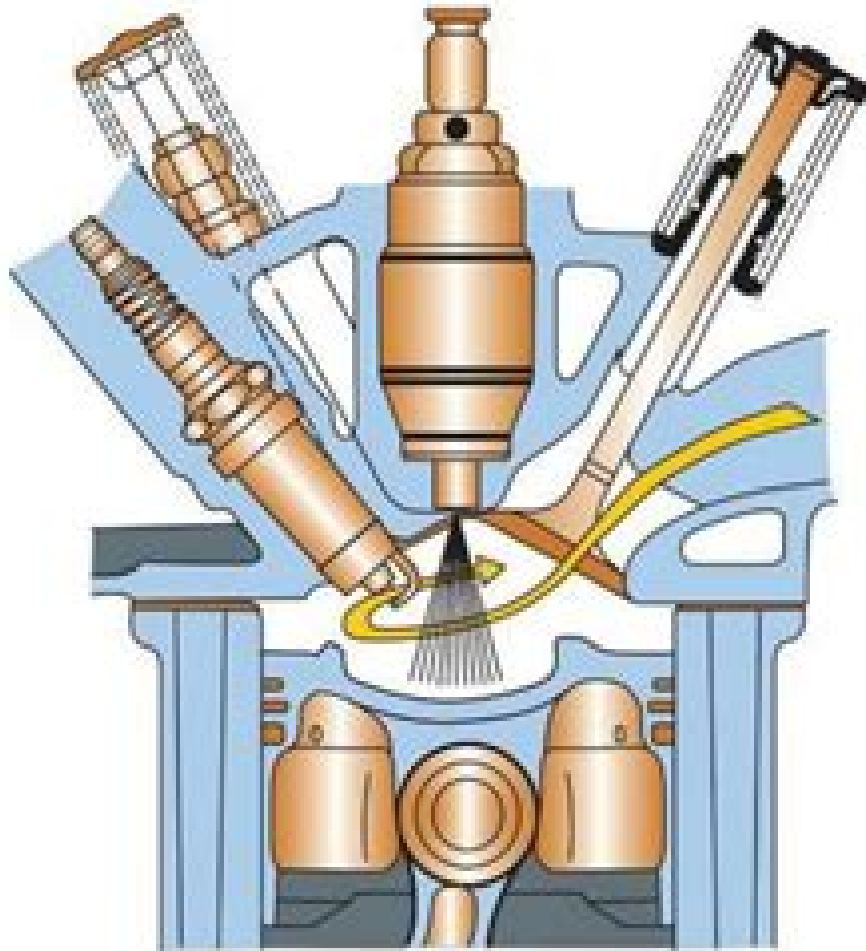


FIGURE 20–1 A gasoline direct-injection system injects fuel under high pressure directly into the combustion chamber.

Direct Injection Si Engine Technology 2003

ML Yell



Direct Injection Si Engine Technology 2003:

Whispering the Strategies of Language: An Emotional Journey through **Direct Injection Si Engine Technology 2003**

In a digitally-driven world wherever monitors reign great and instant transmission drowns out the subtleties of language, the profound secrets and emotional nuances concealed within words often go unheard. However, set within the pages of **Direct Injection Si Engine Technology 2003** a charming fictional treasure pulsing with natural emotions, lies an extraordinary journey waiting to be undertaken. Composed by a skilled wordsmith, that wonderful opus encourages viewers on an introspective trip, lightly unraveling the veiled truths and profound impact resonating within ab muscles fabric of each word. Within the psychological depths of this poignant evaluation, we shall embark upon a genuine exploration of the book is core styles, dissect its fascinating writing fashion, and yield to the effective resonance it evokes heavy within the recesses of readers hearts.

https://gandalf.roeckerfam.com/files/scholarship/Download_PDFS/a%20capital%20collection%20masterworks%20from%20the%20corcoran%20gallery%20of%20art.pdf

Table of Contents Direct Injection Si Engine Technology 2003

1. Understanding the eBook Direct Injection Si Engine Technology 2003
 - The Rise of Digital Reading Direct Injection Si Engine Technology 2003
 - Advantages of eBooks Over Traditional Books
2. Identifying Direct Injection Si Engine Technology 2003
 - Exploring Different Genres
 - Considering Fiction vs. Non-Fiction
 - Determining Your Reading Goals
3. Choosing the Right eBook Platform
 - Popular eBook Platforms
 - Features to Look for in an Direct Injection Si Engine Technology 2003
 - User-Friendly Interface
4. Exploring eBook Recommendations from Direct Injection Si Engine Technology 2003

- Personalized Recommendations
 - Direct Injection Si Engine Technology 2003 User Reviews and Ratings
 - Direct Injection Si Engine Technology 2003 and Bestseller Lists
5. Accessing Direct Injection Si Engine Technology 2003 Free and Paid eBooks
 - Direct Injection Si Engine Technology 2003 Public Domain eBooks
 - Direct Injection Si Engine Technology 2003 eBook Subscription Services
 - Direct Injection Si Engine Technology 2003 Budget-Friendly Options
 6. Navigating Direct Injection Si Engine Technology 2003 eBook Formats
 - ePub, PDF, MOBI, and More
 - Direct Injection Si Engine Technology 2003 Compatibility with Devices
 - Direct Injection Si Engine Technology 2003 Enhanced eBook Features
 7. Enhancing Your Reading Experience
 - Adjustable Fonts and Text Sizes of Direct Injection Si Engine Technology 2003
 - Highlighting and Note-Taking Direct Injection Si Engine Technology 2003
 - Interactive Elements Direct Injection Si Engine Technology 2003
 8. Staying Engaged with Direct Injection Si Engine Technology 2003
 - Joining Online Reading Communities
 - Participating in Virtual Book Clubs
 - Following Authors and Publishers Direct Injection Si Engine Technology 2003
 9. Balancing eBooks and Physical Books Direct Injection Si Engine Technology 2003
 - Benefits of a Digital Library
 - Creating a Diverse Reading Collection Direct Injection Si Engine Technology 2003
 10. Overcoming Reading Challenges
 - Dealing with Digital Eye Strain
 - Minimizing Distractions
 - Managing Screen Time
 11. Cultivating a Reading Routine Direct Injection Si Engine Technology 2003
 - Setting Reading Goals Direct Injection Si Engine Technology 2003
 - Carving Out Dedicated Reading Time
 12. Sourcing Reliable Information of Direct Injection Si Engine Technology 2003

- Fact-Checking eBook Content of Direct Injection Si Engine Technology 2003
 - Distinguishing Credible Sources
13. Promoting Lifelong Learning
- Utilizing eBooks for Skill Development
 - Exploring Educational eBooks
14. Embracing eBook Trends
- Integration of Multimedia Elements
 - Interactive and Gamified eBooks

Direct Injection Si Engine Technology 2003 Introduction

Direct Injection Si Engine Technology 2003 Offers over 60,000 free eBooks, including many classics that are in the public domain. Open Library: Provides access to over 1 million free eBooks, including classic literature and contemporary works. Direct Injection Si Engine Technology 2003 Offers a vast collection of books, some of which are available for free as PDF downloads, particularly older books in the public domain. Direct Injection Si Engine Technology 2003 : This website hosts a vast collection of scientific articles, books, and textbooks. While it operates in a legal gray area due to copyright issues, its a popular resource for finding various publications. Internet Archive for Direct Injection Si Engine Technology 2003 : Has an extensive collection of digital content, including books, articles, videos, and more. It has a massive library of free downloadable books. Free-eBooks Direct Injection Si Engine Technology 2003 Offers a diverse range of free eBooks across various genres. Direct Injection Si Engine Technology 2003 Focuses mainly on educational books, textbooks, and business books. It offers free PDF downloads for educational purposes. Direct Injection Si Engine Technology 2003 Provides a large selection of free eBooks in different genres, which are available for download in various formats, including PDF. Finding specific Direct Injection Si Engine Technology 2003, especially related to Direct Injection Si Engine Technology 2003, might be challenging as theyre often artistic creations rather than practical blueprints. However, you can explore the following steps to search for or create your own Online Searches: Look for websites, forums, or blogs dedicated to Direct Injection Si Engine Technology 2003, Sometimes enthusiasts share their designs or concepts in PDF format. Books and Magazines Some Direct Injection Si Engine Technology 2003 books or magazines might include. Look for these in online stores or libraries. Remember that while Direct Injection Si Engine Technology 2003, sharing copyrighted material without permission is not legal. Always ensure youre either creating your own or obtaining them from legitimate sources that allow sharing and downloading. Library Check if your local library offers eBook lending services. Many libraries have digital catalogs where you can borrow Direct Injection Si Engine Technology 2003 eBooks for free, including popular titles. Online Retailers: Websites

like Amazon, Google Books, or Apple Books often sell eBooks. Sometimes, authors or publishers offer promotions or free periods for certain books. Authors Website Occasionally, authors provide excerpts or short stories for free on their websites. While this might not be the Direct Injection Si Engine Technology 2003 full book, it can give you a taste of the authors writing style. Subscription Services Platforms like Kindle Unlimited or Scribd offer subscription-based access to a wide range of Direct Injection Si Engine Technology 2003 eBooks, including some popular titles.

FAQs About Direct Injection Si Engine Technology 2003 Books

What is a Direct Injection Si Engine Technology 2003 PDF? A PDF (Portable Document Format) is a file format developed by Adobe that preserves the layout and formatting of a document, regardless of the software, hardware, or operating system used to view or print it. **How do I create a Direct Injection Si Engine Technology 2003 PDF?** There are several ways to create a PDF: Use software like Adobe Acrobat, Microsoft Word, or Google Docs, which often have built-in PDF creation tools. Print to PDF: Many applications and operating systems have a "Print to PDF" option that allows you to save a document as a PDF file instead of printing it on paper. Online converters: There are various online tools that can convert different file types to PDF. **How do I edit a Direct Injection Si Engine Technology 2003 PDF?** Editing a PDF can be done with software like Adobe Acrobat, which allows direct editing of text, images, and other elements within the PDF. Some free tools, like PDFescape or Smallpdf, also offer basic editing capabilities. **How do I convert a Direct Injection Si Engine Technology 2003 PDF to another file format?** There are multiple ways to convert a PDF to another format: Use online converters like Smallpdf, Zamzar, or Adobe Acrobats export feature to convert PDFs to formats like Word, Excel, JPEG, etc. Software like Adobe Acrobat, Microsoft Word, or other PDF editors may have options to export or save PDFs in different formats. **How do I password-protect a Direct Injection Si Engine Technology 2003 PDF?** Most PDF editing software allows you to add password protection. In Adobe Acrobat, for instance, you can go to "File" -> "Properties" -> "Security" to set a password to restrict access or editing capabilities. Are there any free alternatives to Adobe Acrobat for working with PDFs? Yes, there are many free alternatives for working with PDFs, such as: LibreOffice: Offers PDF editing features. PDFsam: Allows splitting, merging, and editing PDFs. Foxit Reader: Provides basic PDF viewing and editing capabilities. How do I compress a PDF file? You can use online tools like Smallpdf, ILovePDF, or desktop software like Adobe Acrobat to compress PDF files without significant quality loss. Compression reduces the file size, making it easier to share and download. Can I fill out forms in a PDF file? Yes, most PDF viewers/editors like Adobe Acrobat, Preview (on Mac), or various online tools allow you to fill out forms in PDF files by selecting text fields and entering information. Are there any restrictions when working with PDFs? Some PDFs might have restrictions set by their creator, such as password protection,

editing restrictions, or print restrictions. Breaking these restrictions might require specific software or tools, which may or may not be legal depending on the circumstances and local laws.

Find Direct Injection Si Engine Technology 2003 :

~~a capital collection masterworks from the corcoran gallery of art~~

a black bears story

a chivalrous fray for melindas key west sunset irises

a butterflys life nf pair-its

a breath of air

a citizens guide to the second amendment

a classic english crime

a civil marriage

a brush with death rue morgue vintage mystery

a cleft of stars

a call to active duty

a checklist of robertson davies

a cat that thought it was a chicken

a collection of christmases

a birdseye view of japan

Direct Injection Si Engine Technology 2003 :

finanz fundament etf alles was sie wissen müssen bevor - May 11 2023

web finanz fundament etf alles was sie wissen müssen bevor sie in etfs investieren 2 jännert maximilian heinrich amazon com tr kitap

was ist ein etf einfach erklärt postfinance - Apr 29 2022

web die ausführliche erklärung zum nachlesen finden sie hier noch einmal etf ist die abkürzung für exchange traded funds etf sind also fonds die an der börse

was sind etfs so funktionieren die indexfonds weltsparen - Jul 01 2022

web wählen sie aus über 180 etfs die passenden fonds für ihre anlagestrategie aus abhängig von ihrer risikobereitschaft

können sie den anteil der aktien mit dem

finanz fundament etf alles was sie wissen müssen bevor - Jul 13 2023

web finanz fundament etf alles was sie wissen müssen bevor sie in etfs investieren maximilian heinrich jännert amazon com tr kitap

finanz fundament etf alles was sie wissen müssen bevor - Dec 26 2021

web finanz fundament etf alles was sie wissen müssen bevor sie in etfs investieren maximilian heinrich jännert isbn 9783965831148 kostenloser versand für alle

finanz fundament etf alles was sie wissen müssen bevor - Apr 10 2023

web finanz fundament etf alles was sie wissen müssen bevor sie in etfs investieren inkl videokurs von damir mrsic maximilian heinrich jännert damir mrsic isbn

finanz fundament etf alles was sie wissen müssen bevor - May 31 2022

web kurzbeschreibung titel finanz fundament etf zusatz alles was sie wissen müssen bevor sie in etfs investieren medium taschenbuch autor maximilian heinrich

etf erklärung was sind etfs rechnungswesen verstehen de - Mar 29 2022

web etfs sind kostengünstig transparent und eignen sich für kurzfristige engagements im markt genauso wie für langfristige anlagen und den vermögensaufbau mit sparplänen dieser

finanz fundament etf alles was sie wissen müssen pdf - Jan 27 2022

web aug 18 2023 finanz fundament etf alles was sie wissen müssen 1 14 downloaded from uniport edu ng on august 18 2023 by guest finanz fundament etf alles was sie

finanz fundament etf alles was sie wissen müssen bevor - Sep 03 2022

web achetez et téléchargez ebook finanz fundament etf alles was sie wissen müssen bevor sie in etfs investieren german edition boutique kindle entreprise et bourse

finanz fundament etf alles was sie wissen müssen bevor - Jan 07 2023

web may 26 2019 buy finanz fundament etf alles was sie wissen müssen bevor sie in etfs investieren german edition read kindle store reviews amazon com

9783965831117 finanz fundament etf alles was sie wissen - Oct 04 2022

web finanz fundament etf alles was sie wissen müssen bevor sie in etfs investieren finden sie alle bücher von jännert maximilian heinrich bei der büchersuchmaschine

finanz fundament etf alles was sie wissen müssen bev - Mar 09 2023

web may 26 2019 finanz fundament etf alles was sie wissen müssen bevor sie in etfs investieren maximilian jännert chf

kompakt 3 00 3 ratings0 reviews der einfache weg

finanz fundament etf alles was sie wissen müssen bevor - Dec 06 2022

web finanz fundament etf alles was sie wissen müssen bevor sie in etfs investieren german edition ebook jännert maximilian kompakt chf amazon in kindle store

etf was sind etfs etf einfach erklärt justetf - Aug 02 2022

web ein etf ist ein börsengehandelter indexfonds am besten lassen sich die funktionsweise und die vorteile eines etf anhand der drei teile erklären aus denen sich der begriff

finanz fundament etf alles was sie wissen müssen bevor - Jun 12 2023

web finanz fundament etf alles was sie wissen müssen bevor sie in etfs investieren jännert maximilian heinrich amazon com tr kitap

finanz fundament etf alles was sie wissen müssen bevor sie - Feb 25 2022

web jun 15 2023 finanz fundament etf alles was sie wissen müssen bevor sie in etfs investieren by maximilian heinrich jännert und wie man vorgehen muss um es

finanz fundament etf alles was sie wissen müssen bevor - Feb 08 2023

web finanz fundament etf alles was sie wissen müssen bevor sie in etfs investieren ebook jännert maximilian kompakt chf amazon de kindle shop

finanz fundament etf alles was sie wissen müssen bevor - Nov 05 2022

web finanz fundament etf alles was sie wissen müssen bevor sie in etfs investieren 2 jännert maximilian heinrich kompakt chf amazon nl boeken

finanz fundament etf alles was sie wissen müssen bevor - Aug 14 2023

web finanz fundament etf alles was sie wissen müssen bevor sie in etfs investieren jännert maximilian heinrich kompakt chf isbn 9783965831117 kostenloser versand für alle bücher mit versand und verkauf duch amazon

scottish heinemann maths 6 single textbook google books - Jul 11 2022

web jun 27 2003 heinemann jun 27 2003 128 pages shm textbooks provide solid mathematical content and child friendly ways to encourage further practice reinforce fluency of number facts and mental

new heinemann maths year 6 teaching file google books - Feb 18 2023

web sep 20 2002 new heinemann maths year 6 teaching file new heinemann maths offers interactive whole class teaching with structured development of mental calculation within the framework it covers

heinemann maths 6 answer book volume 6 google books - Aug 24 2023

web heinemann maths 6 answer book scottish primary mathematics group google books this spmg ssmg mathematics course

for 5 to 14 year olds covers the requirements of the national
scottish heinemann maths 6 answer book pdfneed - Jul 23 2023

web download or read book heinemann maths 6 answer book written by scottish primary mathematics group and published by heinemann this book was released on 1995 with total page 82 pages available in pdf epub and kindle

new heinemann maths year 6 answer book new heinemann maths - Jun 10 2022

web buy new heinemann maths year 6 answer book new heinemann maths on amazon com free shipping on qualified orders
heinemann maths 6 answer book scottish primary mathematics - Sep 13 2022

web view all copies of this isbn edition synopsis this spmg ssmg mathematics course for 5 to 14 year olds covers the requirements of the national curriculum the mathematics 5 14 curriculum for scotland and the northern ireland common curriculum

new heinemann maths yr6 teachers resource book volume 6 - Jan 17 2023

web sep 20 2002 new heinemann maths yr6 teachers resource book volume 6 pearson education sep 20 2002 mathematics 200 pages new heinemann maths offers interactive whole class teaching

read pdf heinemann maths 6 answer book online book of - Apr 08 2022

web download or read book heinemann maths 6 answer book written by scottish primary mathematics group and published by heinemann this book was released on 1995 with total page 82 pages available in pdf epub and kindle

heinemann maths 6 answer book paperback 29 august 1995 - May 09 2022

web buy heinemann maths 6 answer book online on amazon eg at best prices fast and free shipping free returns cash on delivery available on eligible purchase heinemann maths 6 answer book buy online at best price in egypt souq is now amazon eg

scottish heinemann maths 6 answer book google books - Oct 14 2022

web jun 27 2003 view sample scottish heinemann maths 6 answer book volume 6 heinemann jun 27 2003 mathematics 68 pages 1 review reviews aren t verified but google checks for and removes fake

scottish heinemann maths 6 answer book abebooks - Jan 05 2022

web jun 27 2003 scottish heinemann maths 6 answer book scottish heinemann maths published by heinemann educational books primary division 2003 isbn 10 0435179861 isbn 13 9780435179861 seller revaluation books exeter united kingdom seller rating contact seller book new

heinemann math books and curricular resources - Feb 06 2022

web mathematics math resources from heinemann are written by educators for educators to support student centered teaching and learning our authors start with a curiosity about students thinking and numerical reasoning by learning about

what students understand teachers can be responsive to their individual needs

heinemann maths 6 answer book pdf download wiscons in - May 21 2023

web download heinemann maths 6 answer book pdf full book access full book title heinemann maths 6 answer book by

scottish primary mathematics group download full books in pdf and epub format

new heinemann maths yr6 answer book volume 6 google - Jun 22 2023

web sep 13 2002 scottish primary mathematics group heinemann sep 13 2002 mathematics 68 pages new heinemann maths

offers interactive whole class teaching with structured development of mental

new heinemann maths 6 free download borrow and - Mar 19 2023

web new heinemann maths 6 publication date 2002 topics mathematics coursebooks primary publisher oxford heinemann

collection inlibrary printdisabled internetarchivebooks

heinemann maths 6 answer book amazon co uk - Nov 15 2022

web buy heinemann maths 6 answer book 1 by scottish primary mathematics group isbn 9780435022297 from amazon s book

store everyday low prices and free delivery on eligible orders

new heinemann maths year 6 answer book better world books - Mar 07 2022

web new heinemann maths offers interactive whole class teaching with structured development of mental calculation within

the framework it covers planning and teaching pupil material structure and progression support for more able children and

easy to manage assessment

scottish heinemann maths 6 answer book kağıt kapak - Dec 16 2022

web arama yapmak istediğiniz kategoriye seçin

new heinemann maths components pearson - Aug 12 2022

web ages heinemann 6 7 y2 p3 ages heinemann 7 8 y3 p4 ages 8 9 y4 p5 ages heinemann 9 10 y5 p6 y6 p7 ages 10 11 new

heinemann maths components teaching resources pupil resources organising planning guide organising planning guide

organising planning guide answer book answer book answer book

heinemann text book solutions higher mathematics - Apr 20 2023

web heinemann higher maths text book solutions updated solutions 2 leckie leckie higher maths text book solutions 3 higher

maths sqa past practice papers 4 higher maths practice papers a to h prelim special 5 higher maths further practice papers a

to s 6 higher maths 40 non calculator questions answers 7 higher maths 200

honda ex5 2017 owner s manual download - Apr 02 2023

web honda ex5 2017 owner s manual download baca syarat syarat di bawah yang berkenaan kepada akses dan pemilikan

manual pemilik atas talian yang ditawarkan di dalam laman ini

honda motosiklet servis randevu formu honda türkiye - Mar 01 2023

web honda motosikletinizin ihtiyaçları için honda servis randevu formunu doldurun ve size uygun zamanda honda motosikletinizin bakımı yapılsın

servis manual motor honda ex5 oldstore motogp com - May 03 2023

web servis manual motor honda ex5 3 3 components it also includes a comprehensive troubleshooting section plus tables of technical data tolerances and fits making it an invaluable resource for

servis manual motor honda ex5 ftp thekingiscoming com - Feb 17 2022

web 2 servis manual motor honda ex5 2023 04 02 1962 1969 this work has been selected by scholars as being culturally important and is part of the knowledge base of civilization as we know it this work was reproduced from the original artifact and remains as true to the original work as possible therefore you will see the original copyright

honda owner s manual parts catalog top page - Jun 04 2023

web motopub is portal for service publications such as owner s manual parts catalogue tuning guide and others you could browse and download these publications anytime anywhere when you want find honda motorcycle service documents such as owner s manual parts catalog here

servis manual motor honda ex5 - Apr 21 2022

web 2 servis manual motor honda ex5 2023 03 26 horizontal single defined moto guzzi s road going motorcycles for the company s first 45 years in the 1950s moto guzzi experienced tremendous success in grand prix motorcycle racing today moto guzzi has a higher profile than ever thanks to its popularity among enthusiast celebrities like ewan

honda otomobil servis randevu formu honda türkiye - Jan 31 2023

web honda periyodik bakım için yetkili servise başvurmadan önce honda otomobil servis randevu formunu doldurmayı unutmayın forma şimdi ulaşmak için tıklayın

servis manual motor honda ex5 pdf full pdf support ortax - Sep 07 2023

web fully revised with the latest information on all areas of engine operation from air and fuel through carburation ignition cylinders porting reed and rotary valves and exhaust systems to cooling and lubrication dyno tuning and gearing

honda ex5 repair manual download by davidcondit3231 issuu - Jul 05 2023

web sep 11 2017 honda ex5 repair manual download full honda ex5 repair manual download pdf honda ex5 repair manual download ppt honda ex5 repair manual download tutorial honda ex5 repair manual download

boon siew honda malaysia motorcycles scooters sport bikes - Dec 30 2022

web learn how to operate and maintain your ex5 motorcycle with this official owner s manual from boon siew honda malaysia download the pdf file for free

[servis manual motor honda ex5 2023 algorithm inzva](#) - May 23 2022

web servis manual motor honda ex5 3 3 topic man machine environment system engineering mmese was first established in china by professor shengzhao long in 1981 with direct support from one of the greatest modern chinese scientists xuesen qian in a letter to shengzhao long from october 22nd 1993 xuesen qian wrote you have created

honda İstanbul yetkili servis listesi tamir yerleri tamirciler - Jul 25 2022

web honda plaza mutluhan adres e 5 kasacılar mevki altayçeşme mah İstiklal cad no 75 81530 maltepe İstanbul telefon 0216 459 58 58 honda İstanbul yetkili servis listesi tamir yerleri tamirciler yetkili servisler bayiler acenteler

[servis manual motor honda ex5 goramblers org](#) - Nov 28 2022

web servis manual motor honda ex5 unveiling the magic of words a review of servis manual motor honda ex5 in some sort of defined by information and interconnectivity the enchanting power of words has acquired unparalleled significance their capability to kindle emotions provoke contemplation and ignite transformative change is really awe

user manual honda ex5 2021 english 112 pages - Oct 08 2023

web manual view the manual for the honda ex5 2021 here for free this manual comes under the category motorcycles and has been rated by 1 people with an average of a 7 5 this manual is available in the following languages english

servis manual motor honda ex5 2023 renewalcc - Sep 26 2022

web servis manual motor honda ex5 1 servis manual motor honda ex5 coal handling and stowage norton commando the tribulations of ross young supernat pa staying on track david vizard s how to port and flow test cylinder heads steering wheel restoration handbook student solutions manual for nonlinear dynamics and chaos 2nd edition

this manual should be considered a permanent part of boon siew honda - Aug 06 2023

web honda motorcycle your selection of a honda makes you part of a worldwide family of satisfied customers who appreciate honda s reputation for building quality into every product to ensure your safety and riding pleasure read this owner s manual carefully follow all recommendations and procedures contained in this manual

[servis manual motor honda ex5 copy bi leadsherpa](#) - Jun 23 2022

web servis manual motor honda ex5 how to find download free motorcycle service manuals honda dream ex5 full restoration buku manual ex5 dream ex5 honda dream a word on service manuals ericthecarguy ex5 jalan timing chain wave125 honda ex5 class 1 convert wave 100 restore ex5 complete engine honda c100 full

[servis manual motor honda ex5 pdf forms mitsom edu](#) - Mar 21 2022

web servis manual motor honda ex5 3 downloaded from forms mitsom edu in on 2020 08 29 by guest 5 accessing servis manual motor honda ex5 free and paid ebooks servis manual motor honda ex5 public domain ebooks servis manual motor honda ex5 ebook subscription services servis manual motor honda ex5 budget friendly options 6

servis manual motor honda ex5 spinupwp wp rocket me - Oct 28 2022

web oct 29 2023 servis manual motor honda ex5 omb no 6974601132839 edited by matthews graham art of x men 2 fresh fiction pub electronics play a central role in our everyday lives being at the heart of much of today s essential technology from mobile phones to computers from cars to power stations as such all engineers

servis manual motor honda ex5 pdf email evius - Aug 26 2022

web servis manual motor honda ex5 downloaded from email evius co by guest mya jennings opll pearson education the x men are back in the cinema wolverine professor x cyclops jean grey and the rest of the team return in x2 facing a new threat so dangerous that former enemy magneto must join their ranks to defeat it haynes