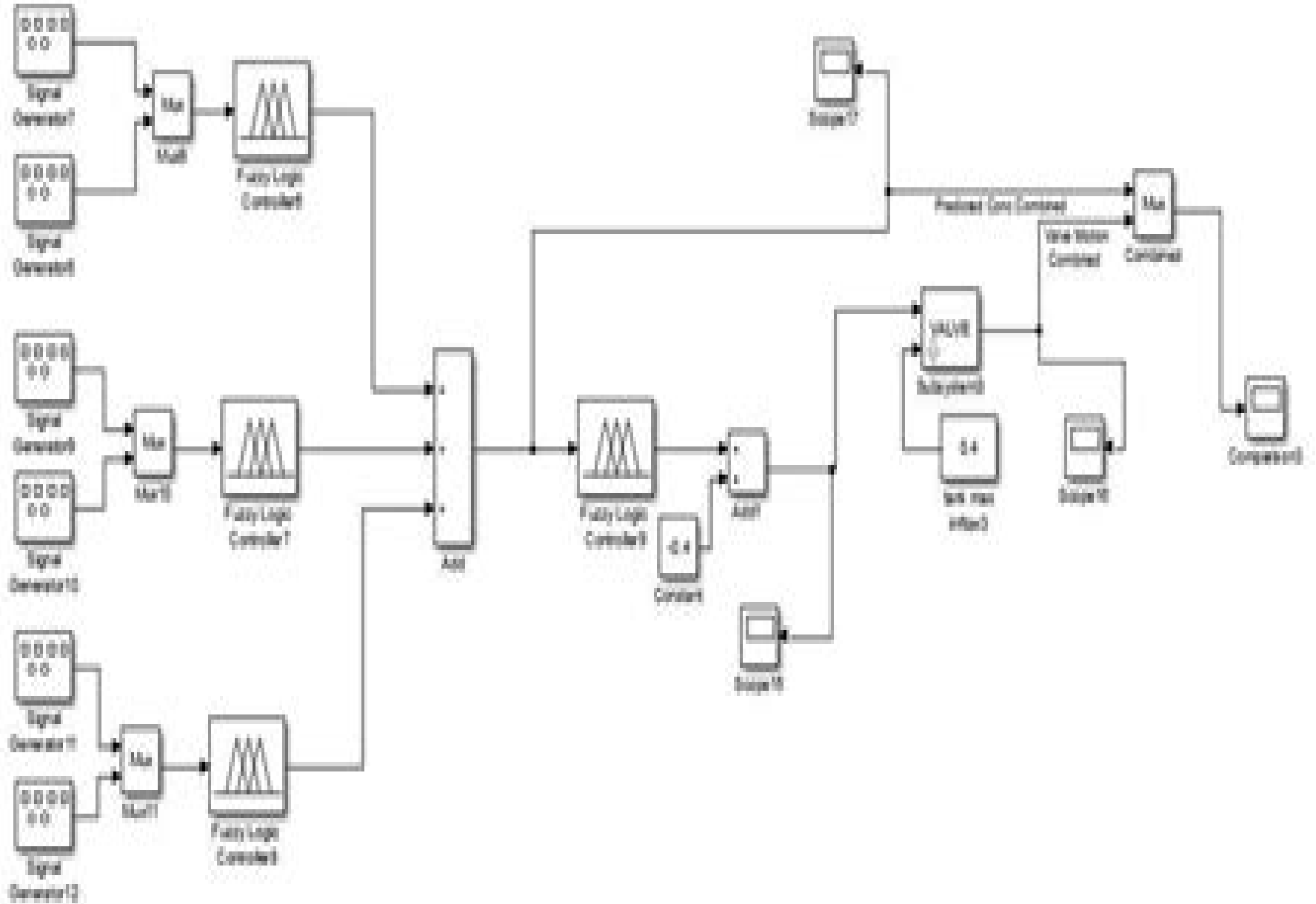


COMBINED VALVE CONTROL



Combined Control System For The Process

Tao Wei



Combined Control System For The Process:

Yeah, reviewing a book **Combined Control System For The Process** could amass your close links listings. This is just one of the solutions for you to be successful. As understood, attainment does not suggest that you have wonderful points.

Comprehending as without difficulty as arrangement even more than supplementary will give each success. neighboring to, the pronouncement as competently as perception of this Combined Control System For The Process can be taken as capably as picked to act.

<https://gandalf.roeckerfam.com/About/publication/default.aspx/business%20law%20principles%20cases%20and%20policy.pdf>

Table of Contents Combined Control System For The Process

1. Understanding the eBook Combined Control System For The Process
 - The Rise of Digital Reading Combined Control System For The Process
 - Advantages of eBooks Over Traditional Books
2. Identifying Combined Control System For The Process
 - Exploring Different Genres
 - Considering Fiction vs. Non-Fiction
 - Determining Your Reading Goals
3. Choosing the Right eBook Platform
 - Popular eBook Platforms
 - Features to Look for in an Combined Control System For The Process
 - User-Friendly Interface
4. Exploring eBook Recommendations from Combined Control System For The Process
 - Personalized Recommendations
 - Combined Control System For The Process User Reviews and Ratings
 - Combined Control System For The Process and Bestseller Lists
5. Accessing Combined Control System For The Process Free and Paid eBooks
 - Combined Control System For The Process Public Domain eBooks

- Combined Control System For The Process eBook Subscription Services
- Combined Control System For The Process Budget-Friendly Options
- 6. Navigating Combined Control System For The Process eBook Formats
 - ePub, PDF, MOBI, and More
 - Combined Control System For The Process Compatibility with Devices
 - Combined Control System For The Process Enhanced eBook Features
- 7. Enhancing Your Reading Experience
 - Adjustable Fonts and Text Sizes of Combined Control System For The Process
 - Highlighting and Note-Taking Combined Control System For The Process
 - Interactive Elements Combined Control System For The Process
- 8. Staying Engaged with Combined Control System For The Process
 - Joining Online Reading Communities
 - Participating in Virtual Book Clubs
 - Following Authors and Publishers Combined Control System For The Process
- 9. Balancing eBooks and Physical Books Combined Control System For The Process
 - Benefits of a Digital Library
 - Creating a Diverse Reading Collection Combined Control System For The Process
- 10. Overcoming Reading Challenges
 - Dealing with Digital Eye Strain
 - Minimizing Distractions
 - Managing Screen Time
- 11. Cultivating a Reading Routine Combined Control System For The Process
 - Setting Reading Goals Combined Control System For The Process
 - Carving Out Dedicated Reading Time
- 12. Sourcing Reliable Information of Combined Control System For The Process
 - Fact-Checking eBook Content of Combined Control System For The Process
 - Distinguishing Credible Sources
- 13. Promoting Lifelong Learning
 - Utilizing eBooks for Skill Development
 - Exploring Educational eBooks

14. Embracing eBook Trends

- Integration of Multimedia Elements
- Interactive and Gamified eBooks

Combined Control System For The Process Introduction

In this digital age, the convenience of accessing information at our fingertips has become a necessity. Whether its research papers, eBooks, or user manuals, PDF files have become the preferred format for sharing and reading documents. However, the cost associated with purchasing PDF files can sometimes be a barrier for many individuals and organizations. Thankfully, there are numerous websites and platforms that allow users to download free PDF files legally. In this article, we will explore some of the best platforms to download free PDFs. One of the most popular platforms to download free PDF files is Project Gutenberg. This online library offers over 60,000 free eBooks that are in the public domain. From classic literature to historical documents, Project Gutenberg provides a wide range of PDF files that can be downloaded and enjoyed on various devices. The website is user-friendly and allows users to search for specific titles or browse through different categories. Another reliable platform for downloading Combined Control System For The Process free PDF files is Open Library. With its vast collection of over 1 million eBooks, Open Library has something for every reader. The website offers a seamless experience by providing options to borrow or download PDF files. Users simply need to create a free account to access this treasure trove of knowledge. Open Library also allows users to contribute by uploading and sharing their own PDF files, making it a collaborative platform for book enthusiasts. For those interested in academic resources, there are websites dedicated to providing free PDFs of research papers and scientific articles. One such website is Academia.edu, which allows researchers and scholars to share their work with a global audience. Users can download PDF files of research papers, theses, and dissertations covering a wide range of subjects. Academia.edu also provides a platform for discussions and networking within the academic community. When it comes to downloading Combined Control System For The Process free PDF files of magazines, brochures, and catalogs, Issuu is a popular choice. This digital publishing platform hosts a vast collection of publications from around the world. Users can search for specific titles or explore various categories and genres. Issuu offers a seamless reading experience with its user-friendly interface and allows users to download PDF files for offline reading. Apart from dedicated platforms, search engines also play a crucial role in finding free PDF files. Google, for instance, has an advanced search feature that allows users to filter results by file type. By specifying the file type as "PDF," users can find websites that offer free PDF downloads on a specific topic. While downloading Combined Control System For The Process free PDF files is convenient, its important to note that copyright laws must be respected. Always ensure that the PDF files you download are legally available for free. Many authors and publishers voluntarily provide free PDF versions of

their work, but its essential to be cautious and verify the authenticity of the source before downloading Combined Control System For The Process. In conclusion, the internet offers numerous platforms and websites that allow users to download free PDF files legally. Whether its classic literature, research papers, or magazines, there is something for everyone. The platforms mentioned in this article, such as Project Gutenberg, Open Library, Academia.edu, and Issuu, provide access to a vast collection of PDF files. However, users should always be cautious and verify the legality of the source before downloading Combined Control System For The Process any PDF files. With these platforms, the world of PDF downloads is just a click away.

FAQs About Combined Control System For The Process Books

What is a Combined Control System For The Process PDF? A PDF (Portable Document Format) is a file format developed by Adobe that preserves the layout and formatting of a document, regardless of the software, hardware, or operating system used to view or print it. **How do I create a Combined Control System For The Process PDF?** There are several ways to create a PDF: Use software like Adobe Acrobat, Microsoft Word, or Google Docs, which often have built-in PDF creation tools. Print to PDF: Many applications and operating systems have a "Print to PDF" option that allows you to save a document as a PDF file instead of printing it on paper. Online converters: There are various online tools that can convert different file types to PDF. **How do I edit a Combined Control System For The Process PDF?** Editing a PDF can be done with software like Adobe Acrobat, which allows direct editing of text, images, and other elements within the PDF. Some free tools, like PDFescape or Smallpdf, also offer basic editing capabilities. **How do I convert a Combined Control System For The Process PDF to another file format?** There are multiple ways to convert a PDF to another format: Use online converters like Smallpdf, Zamzar, or Adobe Acrobats export feature to convert PDFs to formats like Word, Excel, JPEG, etc. Software like Adobe Acrobat, Microsoft Word, or other PDF editors may have options to export or save PDFs in different formats. **How do I password-protect a Combined Control System For The Process PDF?** Most PDF editing software allows you to add password protection. In Adobe Acrobat, for instance, you can go to "File" -> "Properties" -> "Security" to set a password to restrict access or editing capabilities. Are there any free alternatives to Adobe Acrobat for working with PDFs? Yes, there are many free alternatives for working with PDFs, such as: LibreOffice: Offers PDF editing features. PDFsam: Allows splitting, merging, and editing PDFs. Foxit Reader: Provides basic PDF viewing and editing capabilities. How do I compress a PDF file? You can use online tools like Smallpdf, ILovePDF, or desktop software like Adobe Acrobat to compress PDF files without significant quality loss. Compression reduces the file size, making it easier to share and download. Can I fill out forms in a PDF file? Yes, most PDF viewers/editors like Adobe Acrobat, Preview (on Mac), or

various online tools allow you to fill out forms in PDF files by selecting text fields and entering information. Are there any restrictions when working with PDFs? Some PDFs might have restrictions set by their creator, such as password protection, editing restrictions, or print restrictions. Breaking these restrictions might require specific software or tools, which may or may not be legal depending on the circumstances and local laws.

Find Combined Control System For The Process :

[business law principles cases and policy](#)

by balloon to the sahara

[battered side down short stories by edna ferber](#)

[business statistics of the united states 1998](#)

[businesses work and money](#)

business strategy a guide to concept and models

[buying and caring for your fur](#)

buspar a medical dictionary bibliography and annotated research guide to internet references

[business communication strategies and solutions](#)

by order of the president who is running the united states of america

busted nova scotias war on drugs

[business knowledge repository consolidating and accessing your ways of working](#)

butcher bird

[buying-selling a restaurant business for maximum profit](#)

business of america

Combined Control System For The Process :

xenophon internet encyclopedia of philosophy - Sep 24 2022

web xenophon s symposium depicts an avowedly lighthearted group of friends attending a spontaneous dinner party in honor of young autolycus victory in an olympic event

[the interrelation and date of the symposia of plato and xenophon](#) - May 21 2022

web j d moore s recent attempt to date plato s symposium after the phaedrus and by implication much later than 380 b c was successful 6 the possible reminiscences of other platonic works traced in xenophon s symposium by several scholars are for

the most part highly disputable 7 some reflections of the phaedrus will be discussed below and
[reading xenophon s symposium ramus cambridge core](#) - Jan 29 2023

web sep 2 2016 reading xenophon s symposium published online by cambridge university press 02 september 2016 fiona
hobden article metrics get access cite rights permissions extract in just over a decade interest in
[xenophon of athens symposium loeb classical library](#) - Feb 27 2023

web xenophon s symposium is set in 422 the boy autolyclus has won a great panathenaic victory in the pankration and his
wealthy admirer callias throws a celebratory party for him and his father lycon but the main theme as at plato s symposium is
the nature and proper management of eros

xenophon symposium by a j bowen edited and translated by - Feb 15 2022

web the symposium that xenophon wrote has lived in the shadow of the more famous one by plato so much so that it has not
received a full commentary in english for well over a hundred years yet it is a work as useful for its greek as it is precious for
its content socrates is the hero of each symposium but most of our understanding of him is

[xenophon symposium chapter 1 perseus digital library](#) - Aug 04 2023

web xenophon xenophontis opera omnia vol 2 2nd ed oxford clarendon press 1921 repr 1971 the annenberg cpb project
provided support for entering this text purchase a copy of this text not necessarily the same edition from amazon com this
work is licensed under a creative commons attribution sharealike 3 0 united states license

[xenophon wikipedia](#) - Jul 23 2022

web these works include xenophon s apology memorabilia symposium and oeconomicus the symposium outlines the
character of socrates as he and his companions discuss what attribute they take pride in one of the main plots of the
symposium is about the type of loving relationship noble or base a rich aristocrat will be able to

[xenophon s symposium the classical review cambridge](#) - Jun 21 2022

web apr 12 2006 xenophon s symposium volume 53 issue 1 to save this article to your kindle first ensure coreplatform
cambridge org is added to your approved personal document e mail list under your personal document settings on the
manage your content and devices page of your amazon account

how to be a good symposiast and other lessons from xenophon s symposium - Nov 26 2022

web xenophon s symposium lies at a confluence between two trends in modern scholarship on the one hand its author and his
writings have recently attracted a resurgence in interest and credibility no longer is xenophon regarded as merely a literary
dilettante a dull unimaginative and ultimately incompetent philosopher or a conservative

[xenophon symposium antisthenes on wealth need and youtube](#) - Mar 19 2022

web mar 7 2021 get xenophon s conversations of socrates amzn to 3cc1uchsupport my work here patreon com

sadlerphilosophy tutorials reasoni

7 *xenophon s symposium cambridge university press* - May 01 2023

web jan 12 2017 5 xenophon s anabasis and hellenica 6 xenophon s apology and memorabilia 7 xenophon s symposium 8

xenophon s oeconomicus 9 xenophon s cyropaedia tentative answers to an enigma 10 xenophon the small works part iii

techniques part iv major subjects part v reception and influence important dates in

xenophon of athens symposium loeb classical library - Dec 28 2022

web symposium niceratus was the son of the wealthy landowner and general nicias who would perish in the sicilian

expedition nine years later represented here as newly married to an athenian girl who we are told elsewhere would not

survive her husband when he was executed by the thirty tyrants like his father niceratus was a democrat

symposium work by xenophon britannica - Jun 02 2023

web xenophon s symposium is a depiction of socrates in conversation with his friends at a drinking party it is perhaps

inspired by a work of plato of the same name and character and is regarded by some scholars as a valuable re creation of

socrates thought and way

xenophon symposium chapter 1 section 1 perseus digital - Oct 06 2023

web symposium section 1 section 9 section 16 chapter 2 chapter 3 chapter 4 chapter 5 chapter 6 chapter 7 chapter 8 chapter

9 to my mind it is worth while to relate not only the serious acts of great and good men but also what they do in their lighter

moods i should like to narrate an experience of mine that gives me this conviction xenophon

xenophon s symposium xenophon google books - Apr 19 2022

web xenophon s symposium xenophon 2005 115 pages bryn mawr commentaries provide clear concise accurate and

consistent support for students making the transition from introductory and intermediate texts to the direct experience of

[xenophon symposium philpapers](#) - Aug 24 2022

web abstract the symposium that xenophon wrote has lived in the shadow of the more famous one by plato so much so that it

has not received a full commentary in english for well over a hundred years

the symposium by xenophon project gutenber - Jul 03 2023

web the symposium by xenophon translation by h g dakyns xenophon the athenian was born 431 b c he was a pupil of

socrates he marched with the spartans and was exiled from athens sparta gave him land and property in scillus where he

lived for many years before having to move once more to settle in corinth he died in 354 b c

the symposium introduction sparknotes - Mar 31 2023

web introduction of all the works of plato the symposium is the most perfect in form and may be truly thought to contain

more than any commentator has ever dreamed of or as goethe said of one of his own writings more than the author himself

knew

xenophon s symposium xenophon free download borrow - Oct 26 2022

web may 7 2008 xenophon s symposium by xenophon winans samuel ross 1855 1910 ed publication date 1881 publisher boston j allyn collection americana book from the collections of university of michigan language ancient greek ancient greek *symposium xenophon wikipedia* - Sep 05 2023

web xenophon symposium ed a j bowen warminster aris phillips ltd 1998 xenophon the shorter socratic writings apology of socrates to the jury oeconomicus and symposium trans and with interpretive essays by robert c bartlett with thomas pangle and wayne ambler ithaca cornell university press the agora editions 1996

style louis xvi hisour art culture histoire - Jun 13 2023

web le style louis xvi aussi appelé louis seize est un style d architecture de mobilier de décoration et d art qui s est développé en france durant le règne de 19 ans de louis xvi 1774 1793 juste avant la révolution française il a vu la phase finale du style baroque ainsi que la naissance du néoclassicisme français

style louis xvi mobilier et caractéristiques ooreka - Apr 11 2023

web réussir sa décoration style louis xvi points de vente et prix des meubles de style louis xvi inscrit dans le retour aux formes classiques et néo classiques le style louis xvi fait son apparition en france en 1774 et s éteint en 1785

styles louis xiv louis xv louis xvi quelles différences - Feb 09 2023

web dec 8 2015 a partir de 1774 jusque 1785 le style louis xvi signe un retour aux lignes droites le style à cette époque on redécouvre l architecture antique et ses formes géométriques les reliefs sont peu présents et la silhouette des meubles beaucoup moins chargées que sous louis xv

le style louis xvi 1774 1790 galerie atena - Jan 08 2023

web dans sa première partie le style louis xvi conjugue les éléments antiques avec des motifs de fleurs palmettes et guirlandes de fleurs et feuillages inspirés du retour à la nature si apprécié par marie antoinette sous son impulsion la décoration s enrichit de fleurs de paniers fleuris d attributs musicaux et champêtres de

le style louis xvi decoenligne org - Mar 30 2022

web nov 15 2019 avec le style louis xvi 1750 1795 signe le retour aux lignes droites les ornements se font plus léger les meubles de belles proportions sont élégants mais sobres les formes géométriques sont en vogue la forme ovale est recherchée et la production souvent inspiré de la rome antique est abondante

louis xvi les différents styles architecturaux parisiens - Apr 30 2022

web dec 10 2018 le style louis xiii 1595 1660 le style louis xiv 1660 1700 le style louis xv 1700 1760 le style louis xvi 1760 1790 l immeuble révolution 1790 1800 1800 1914 le style empire 1800 1815 le style restauration 1815 1830 le style louis

philippe 1830 1850 le style haussmanien 1850 1870

comment reconnaître le style louis xvi antikeo magazine - May 12 2023

web jun 30 2021 à partir de la seconde moitié du xviii e siècle l esthétisme en matière d arts décoratifs se modifie le style transition 1750 à 1774 opère un éloignement des formes louis xv le style louis xvi donne forme au mobilier néoclassique aux lignes droites et symétriques et remplace peu à peu l esthétisme rocaille

le style louis xvi by jean emile bayard open library - Jul 02 2022

web jun 15 2012 le style louis xvi ouvrage orne de 160 gravures environ by jean emile bayard 0 ratings 2 want to read 0 currently reading 0 have read

style louis xvi vitraux - Nov 06 2022

web initié par le style transition le retour à l antiquité est définitivement consommé sous louis xvi les proportions et volumes sont équilibrés l élégance est sobre et raffinée après avoir abusé des lignes contournées et de l asymétrie avec le rococo et le style louis xv on retourne à la ligne droite et à la simplicité des formes

le style louis xvi c est quoi youtube - Jun 01 2022

web on parle souvent du style louis xvi en architecture d intérieur mais savez vous de quoi il s agit exactement je vous dis tout dans cette vidéo

le style louis xvi 1760 1790 les différents styles - Feb 26 2022

web le style louis xvi 1760 1790 c est en 1760 que naît le style louis xvi ce style est marqué par une simplification esthétique et par un rationalisme l architecture va privilégier les lignes droites

votre guide amoureux des styles de mobilier louis xvi 18e - Sep 04 2022

web dec 31 2017 le mobilier louis xvi c est assurément un grand marqueur de l histoire de l art un style décoratif de premier ordre et un beau témoignage de l art de vivre à la française 6 meubles emblématiques du style louis

style louis xvi wikipédia - Aug 15 2023

web le style louis xvi est un style d ameublement et de décoration employé d abord en france de 1774 date du début du règne de louis xvi à 1785 environ il s inscrit dans un mouvement européen de retour au classicisme dans la seconde moitié du xviii e siècle

reconnaître le style louis xvi pipat antiquités - Oct 05 2022

web reconnaître le style louis xvi intronisé en 1774 louis xvi 1754 1793 marque de son nom les arts de son époque pourtant c est moins à sa bonhomie naturelle et ses goûts simples que l on doit le style élégant qui caractérise le mobilier et les arts décoratifs français sous son règne

quelles différences entre le style louis xv et louis xvi - Dec 27 2021

web apr 27 2023 voilà une question que l on s est tous déjà posé quelles sont les différences entre le style louis xv et louis xvi parfois dans les visites de musées certains guides évoquent les origines de ces objets en citant deux des trois rois du 18e siècle

[style louis xvi wikiwand](#) - Dec 07 2022

web le style louis xvi est un style d ameublement et de décoration employé d abord en france de 1774 date du début du règne de louis xvi à 1785 environ il s inscrit dans un mouvement européen de retour au classicisme dans la seconde moitié du xviiiè siècle

[style louis xv wikipédia](#) - Jan 28 2022

web le style pompadour style de transition entre 1750 et 1774 s inspire de celui de louis xv mais s écarte des caprices de la rocaille et prélude au renouveau classique de l époque louis xvi l ondoisement du style louis xv fait place peu à peu à la majesté rigide du style louis xvi au cours de la période suivante où l on parle de style

[louis xvi style wikipedia](#) - Jul 14 2023

web louis xvi style also called louis seize is a style of architecture furniture decoration and art which developed in france during the 19 year reign of louis xvi 1774 1793 just before the french revolution it saw the final phase of the baroque style as well as the birth of french neoclassicism

style louis xvi 1775 1790 meubliz - Aug 03 2022

web 1775 1790 ce style de la fin du xviiiè siècle s inspire de la rome antique dont il reprend les formes architecturales les lignes droites et le répertoire classique une touche décorative fantaisiste et pastorale y est ajoutée les ébénistes et industriels du xixe siècle fabriqueront de nombreuses copies de ces meubles néoclassiques

[le style louis xvi Élégance et classicisme](#) - Mar 10 2023

web le style louis xvi est un style d ameublement et de décoration employé d abord en france de 1774 date du début du règne de louis xvi à 1785 environ il s inscrit dans un mouvement européen de retour au classicisme dans la seconde moitié du xviiiè siècle

[graad 10 lewenswetenskappe junie eksamen memo 2023](#) - Feb 09 2023

web hierdie produk bestaan uit n aflaaibare graad 10 lewenswetenskappe junie eksamen memo die vraestel bestaan uit 16 bladsye vir 150 punte kontak ons vir meer informasie

via afrika lewenswetenskappe - Jul 02 2022

web graad 10 studiegids m bowie a johannes r mhlongo e pretorius graad 10 onderwysersgids via afrika lewenswetenskappe via afrika verstaan en waardeer jou

gr 10 lewenswetenskappe formele assessering 3 2022 - Jan 28 2022

web aug 1 2022 gr 10 lewenswetenskappe formele assessering 3 2022 kwartaal 3 totaal 60 punte tydsduur 1 uur pdf dokument gereed om te druk en uit te gee

[cambridge university press assessment](#) - Feb 26 2022

web cambridge university press assessment

lewenswetenskappe graad 10 november eksamen pnhs - Apr 30 2022

web lewenswetenskappe graad 10 november eksamen vraestel 1 kwartaal 2 3 1 chemie van lewe anorganiese en organiese verbindings 2 selle en seldeling

[graad 10 lewenswetenskappe ander e classroom](#) - Apr 11 2023

web grade graad 10 vakke lewenswetenskappe ander eksamenvraestelle hersiening kwartaal 2 junie proefeksamenvraestel 2017 werksvel kwartaal 2 junie

junie vraestelle summaries sa - Dec 07 2022

web graad 10 junie eksamen vraestelle en memorandums 2023 r 805 00 r 480 00 incl vat graad 10 lewenswetenskappe june toets en memo 2023 3 r 45 00 incl vat graad

[life sciences grade 10 exam past papers and memos pdf](#) - Nov 25 2021

web nov 4 2018 life sciences grade 10 controlled tests and exam question papers notes and study guides 2023 2022 2021 2020 hello life sciences grade 10 learner on

graad 10 lewenswetenskappe maart toets en memo 2023 - Oct 25 2021

web hierdie produk bestaan uit n lewenswetenskappe vraestel en memo vir graad 10 leerders vir die maart toets reeks die vraestel bestaan uit 7 bladsye wat 50 punte tel

[lewenswetenskappe graad 10 vraestelle](#) - Dec 27 2021

web lewens wetenskappe graad 10 vraestelle junie eksamen youtube lewenswetenskap pnhs lewenswetenskappe as prentjievak graad 10 amaniyah graad 10

graad 10 hoërskool brandwag - Jan 08 2023

web gr10 lewenswetenskap eksamen junie 2018 gr10 lewenswetenskap eksamen junie 2018 memo lewensoriëntering gr10 lewensoriëntering vraestel

graad 10 lewenswetenskappe junie eksamen memo 2023 - Sep 04 2022

web hierdie produk bestaan uit n aflaaibare graad 10 lewenswetenskappe junie eksamen memo die vraestel bestaan uit 16 bladsye vir 150 punte graad 10 lewenswetenskappe

graad 10 lewenswetenskappe maart toets en memo 2023 2 - Jun 01 2022

web hierdie produk bestaan uit n lewenswetenskappe vraestel en memo vir graad 10 leerders vir die maart toets reeks die

vraestel bestaan uit 5 bladsye wat 50 punte tel

graad 10 lewenswetenskappe vraestel en memo litnet - Jun 13 2023

web feb 28 2023 die vraestelle is ingedeel volgens graad en vakgebied dit dek onlangse inhoud soos behandel in die kabv kurrikulum die vraestelle is nie ingedeel volgens n

provinsiale assessering graad 10 north west - Jul 14 2023

web lewenswetenskappe v1 nss graad 10 nw november 2019 kopiereg voorbehou blaai om asseblief afdeling a vraag 1 1 1 verskillende opsies word as moontlike

graad 10 junie eksamen vraestelle en memorandums 2023 - Oct 05 2022

web graad 10 lewenswetenskappe junie eksamen memo 2023 hierdie produk bestaan uit n aflaaibare graad 10 lewenswetenskappe junie eksamen memo die vraestel

graad 10 lewenswetenskappe junie eksamen memo 2023 - Aug 03 2022

web graad 10 lewenswetenskappe junie eksamen memo 2023 hierdie produk bestaan uit n aflaaibare graad 10 lewenswetenskappe junie eksamen memo die vraestel

graad 10 lewensoriëntering junie eksamen 2019 pnhs - Mar 10 2023

web graad 10 lewensoriëntering junie eksamen 2019 eksamenafbakening gebruik aantekeninge en handboek bladsynommers soos aangedui as verwysing

lewenswetenskappe graad 10 kwartaal 2 junie - May 12 2023

web graad 10 kwartaal 2 lewenswetenskappe junie proefeksamenvraestel 2017 memo afdeling a vraag 1 1 1 verskeie opsies word gegee as moontlike

graad 10 junie eksamen vraestelle en memorandums 2023 - Nov 06 2022

web may 25 2023 hierdie produk bevat die volgende vraestelle met memorandums vir die junie eksamens afrikaans ht 2023 x2 english fal 2023 x1 wiskunde 2023 x2

gr 10 lewenswetenskappe formele assessering 1 2022 - Mar 30 2022

web aug 1 2022 gr 10 lewenswetenskappe formele assessering 1 2022 kwartaal 1 totaal 60 punte tydsduur 1 uur pdf dokument gereed om te druk en uit te gee

nss mei junie 2021 lewenswetenskappe v1 wced eportal - Aug 15 2023

web feb 21 2022 hier is lewenswetenskappe vraestel 1 vir mei junie 2021 gebruik gerus as voorbereiding vir die rekord en finale eksamen nss mei junie 2021

nss nov 2021 lewenswetenskappe v2 wced eportal - Sep 23 2021

web mar 10 2022 hier is lewenswetenskappe vraestel 2 vir november 2021 gebruik gerus as voorbereiding vir die rekord en

finale eksamen