

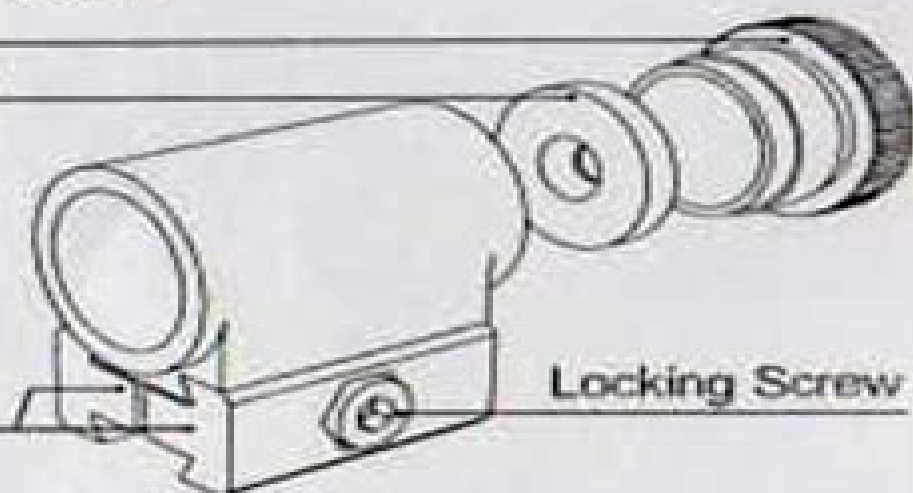
### Front Aperture Sight:

Locking Piece

Sighting Piece

Base Clamp

Locking Screw



### Rear Aperture Sight:

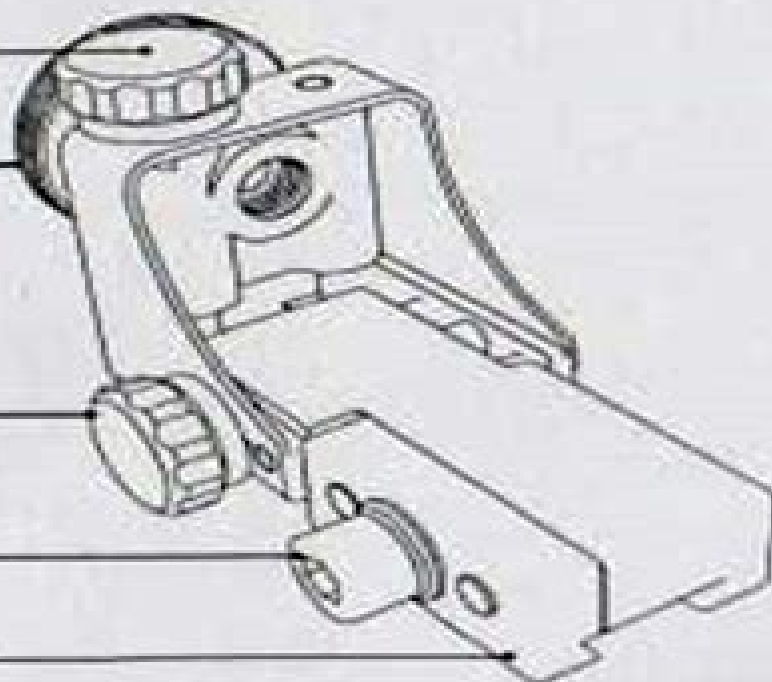
Elevation Knob

Eye Piece

Windage Knob

Locking Screw

Base Clamp



# Adjusting Sights

**Pennsylvania. Adjutant-General's  
Office**



## Adjusting Sights:

**Engineer Training Manual. U.S. Army** United States. Army. Corps of Engineers Board on engineer troops,1917  
**Form** United States. Army. Ordnance Dept,1917     **Technical Manual** ,1942     Patents for Inventions. Abridgments of Specifications Great Britain. Patent Office,1922     **Accounts and Papers of the House of Commons** Great Britain. Parliament. House of Commons,1879     **Text-book of Ordnance and Gunnery** William Freeland Fullam,Thomas Charles Hart,1905     Technical Manual United States. War Department,1942     Handbook of the 4.7-inch Gun Matériel, Model of 1906... United States. Army. Ordnance Department,1918     Ordnance Maintenance, Gun and Carriage, 75-mm, M1897, All Types, and Special Field Artillery Vehicles ,1942     **Manual of garrison artillery 1887. [Continued as] Garrison artillery drill [afterw.] training. [With] Amendments** War office,1887     *Parliamentary Papers* Great Britain. Parliament. House of Commons,1908     **The Ordnance Districts** United States. Army. Ordnance Department,1906  
Handbook of the 8-inch Howitzer Matériel, Model of 1917... United States. Army. Ordnance Department,1918     *Report* Pennsylvania. Adjutant-General's Office,1909     **Official Documents, Comprising the Department and Other Reports Made to the Governor, Senate and House of Representatives of Pennsylvania** ,1909     *Annual Report* Pennsylvania. Adjutant-General's Office,1910     *Report of the Adjutant General of Pennsylvania* Pennsylvania. Adjutant-General's Office,1909     **Official Documents, Comprising the Department and Other Reports Made to the Governor, Senate, and House of Representatives of Pennsylvania** Pennsylvania,1909     **Ordnance Maintenance, Gun and Carriage, 75-mm, M1897, All Types, and Special Field Artillery Vehicles** United States. War Department,1942     **Handbook for the 5-inch B.L. Howitzer** Great Britain. War Office,1905

Right here, we have countless book **Adjusting Sights** and collections to check out. We additionally have the funds for variant types and with type of the books to browse. The satisfactory book, fiction, history, novel, scientific research, as skillfully as various further sorts of books are readily easily reached here.

As this Adjusting Sights, it ends going on inborn one of the favored book Adjusting Sights collections that we have. This is why you remain in the best website to see the unbelievable books to have.

[https://gandalf.roeckerfam.com/book/virtual-library/Download\\_PDFS/Absentee\\_American\\_Repatriates\\_Perspectives\\_On\\_America\\_And\\_Its\\_Place\\_In\\_The\\_Contemporary\\_World.pdf](https://gandalf.roeckerfam.com/book/virtual-library/Download_PDFS/Absentee_American_Repatriates_Perspectives_On_America_And_Its_Place_In_The_Contemporary_World.pdf)

## **Table of Contents Adjusting Sights**

1. Understanding the eBook Adjusting Sights
  - The Rise of Digital Reading Adjusting Sights
  - Advantages of eBooks Over Traditional Books
2. Identifying Adjusting Sights
  - Exploring Different Genres
  - Considering Fiction vs. Non-Fiction
  - Determining Your Reading Goals
3. Choosing the Right eBook Platform
  - Popular eBook Platforms
  - Features to Look for in an Adjusting Sights
  - User-Friendly Interface
4. Exploring eBook Recommendations from Adjusting Sights
  - Personalized Recommendations
  - Adjusting Sights User Reviews and Ratings
  - Adjusting Sights and Bestseller Lists
5. Accessing Adjusting Sights Free and Paid eBooks

- Adjusting Sights Public Domain eBooks
- Adjusting Sights eBook Subscription Services
- Adjusting Sights Budget-Friendly Options
- 6. Navigating Adjusting Sights eBook Formats
  - ePub, PDF, MOBI, and More
  - Adjusting Sights Compatibility with Devices
  - Adjusting Sights Enhanced eBook Features
- 7. Enhancing Your Reading Experience
  - Adjustable Fonts and Text Sizes of Adjusting Sights
  - Highlighting and Note-Taking Adjusting Sights
  - Interactive Elements Adjusting Sights
- 8. Staying Engaged with Adjusting Sights
  - Joining Online Reading Communities
  - Participating in Virtual Book Clubs
  - Following Authors and Publishers Adjusting Sights
- 9. Balancing eBooks and Physical Books Adjusting Sights
  - Benefits of a Digital Library
  - Creating a Diverse Reading Collection Adjusting Sights
- 10. Overcoming Reading Challenges
  - Dealing with Digital Eye Strain
  - Minimizing Distractions
  - Managing Screen Time
- 11. Cultivating a Reading Routine Adjusting Sights
  - Setting Reading Goals Adjusting Sights
  - Carving Out Dedicated Reading Time
- 12. Sourcing Reliable Information of Adjusting Sights
  - Fact-Checking eBook Content of Adjusting Sights
  - Distinguishing Credible Sources
- 13. Promoting Lifelong Learning
  - Utilizing eBooks for Skill Development

- Exploring Educational eBooks
- 14. Embracing eBook Trends
  - Integration of Multimedia Elements
  - Interactive and Gamified eBooks

### **Adjusting Sights Introduction**

Free PDF Books and Manuals for Download: Unlocking Knowledge at Your Fingertips In today's fast-paced digital age, obtaining valuable knowledge has become easier than ever. Thanks to the internet, a vast array of books and manuals are now available for free download in PDF format. Whether you are a student, professional, or simply an avid reader, this treasure trove of downloadable resources offers a wealth of information, conveniently accessible anytime, anywhere. The advent of online libraries and platforms dedicated to sharing knowledge has revolutionized the way we consume information. No longer confined to physical libraries or bookstores, readers can now access an extensive collection of digital books and manuals with just a few clicks. These resources, available in PDF, Microsoft Word, and PowerPoint formats, cater to a wide range of interests, including literature, technology, science, history, and much more. One notable platform where you can explore and download free Adjusting Sights PDF books and manuals is the internet's largest free library. Hosted online, this catalog compiles a vast assortment of documents, making it a veritable goldmine of knowledge. With its easy-to-use website interface and customizable PDF generator, this platform offers a user-friendly experience, allowing individuals to effortlessly navigate and access the information they seek. The availability of free PDF books and manuals on this platform demonstrates its commitment to democratizing education and empowering individuals with the tools needed to succeed in their chosen fields. It allows anyone, regardless of their background or financial limitations, to expand their horizons and gain insights from experts in various disciplines. One of the most significant advantages of downloading PDF books and manuals lies in their portability. Unlike physical copies, digital books can be stored and carried on a single device, such as a tablet or smartphone, saving valuable space and weight. This convenience makes it possible for readers to have their entire library at their fingertips, whether they are commuting, traveling, or simply enjoying a lazy afternoon at home. Additionally, digital files are easily searchable, enabling readers to locate specific information within seconds. With a few keystrokes, users can search for keywords, topics, or phrases, making research and finding relevant information a breeze. This efficiency saves time and effort, streamlining the learning process and allowing individuals to focus on extracting the information they need. Furthermore, the availability of free PDF books and manuals fosters a culture of continuous learning. By removing financial barriers, more people can access educational resources and pursue lifelong learning, contributing to personal growth and professional development. This democratization of knowledge promotes intellectual curiosity and empowers individuals to

become lifelong learners, promoting progress and innovation in various fields. It is worth noting that while accessing free Adjusting Sights PDF books and manuals is convenient and cost-effective, it is vital to respect copyright laws and intellectual property rights. Platforms offering free downloads often operate within legal boundaries, ensuring that the materials they provide are either in the public domain or authorized for distribution. By adhering to copyright laws, users can enjoy the benefits of free access to knowledge while supporting the authors and publishers who make these resources available. In conclusion, the availability of Adjusting Sights free PDF books and manuals for download has revolutionized the way we access and consume knowledge. With just a few clicks, individuals can explore a vast collection of resources across different disciplines, all free of charge. This accessibility empowers individuals to become lifelong learners, contributing to personal growth, professional development, and the advancement of society as a whole. So why not unlock a world of knowledge today? Start exploring the vast sea of free PDF books and manuals waiting to be discovered right at your fingertips.

### **FAQs About Adjusting Sights Books**

How do I know which eBook platform is the best for me? Finding the best eBook platform depends on your reading preferences and device compatibility. Research different platforms, read user reviews, and explore their features before making a choice. Are free eBooks of good quality? Yes, many reputable platforms offer high-quality free eBooks, including classics and public domain works. However, make sure to verify the source to ensure the eBook credibility. Can I read eBooks without an eReader? Absolutely! Most eBook platforms offer web-based readers or mobile apps that allow you to read eBooks on your computer, tablet, or smartphone. How do I avoid digital eye strain while reading eBooks? To prevent digital eye strain, take regular breaks, adjust the font size and background color, and ensure proper lighting while reading eBooks. What the advantage of interactive eBooks? Interactive eBooks incorporate multimedia elements, quizzes, and activities, enhancing the reader engagement and providing a more immersive learning experience. Adjusting Sights is one of the best book in our library for free trial. We provide copy of Adjusting Sights in digital format, so the resources that you find are reliable. There are also many Ebooks of related with Adjusting Sights. Where to download Adjusting Sights online for free? Are you looking for Adjusting Sights PDF? This is definitely going to save you time and cash in something you should think about.

### **Find Adjusting Sights :**

[absentee american repatriates perspectives on america and its place in the contemporary world](#)

*abu markub paa jagt efter kaempfugle*

access certificate mba primer fin accounting module

access for all closing the gap for children in early education

accounting for the small business

*acceb device guidelines recommendations for nursing practice and education*

ace ventura - reindeer hunter.

*aces against japan the american aces speak volume 1*

**academic equitation a preparation for international dressage tests**

ac2 sup solutions

**achievement for africanamerican students strategies for the diverse clabroom**

*abroad a travel organizer*

**accounting fundamentals a gregg text-kit for adult education**

**account of the european settlements**

*abstract expressionism the formative years*

## **Adjusting Sights :**

**100 ideas no 156 du 01 10 1986 mode vestes d auto htaccess** - Aug 07 2022

web jan 10 1986 this 100 ideas no 156 du 01 10 1986 mode vestes d auto but stop stirring in harmful downloads rather than enjoying a good book taking into consideration a cup of coffee in the afternoon otherwise they juggled subsequent to some harmful virus inside their computer 100 ideas no 156 du 01 10

**100 idee che hanno vestito la moda libreria universitaria** - Mar 02 2022

web 100 idee che hanno vestito la moda libro acquistalo con spedizione gratuita su libreriauniversitaria it pubblicato da logos brossura 1 agosto 2011 9788857602028

**100 ideas no 156 du 01 10 1986 mode vestes d auto pdf** - Dec 11 2022

web jan 10 1986 start getting this info get the 100 ideas no 156 du 01 10 1986 mode vestes d auto pdf belong to that we have the funds for here and check out the link you could buy guide 100 ideas no 156 du 01 10 1986 mode vestes d auto pdf or acquire it as soon as feasible you could quickly download this 100 ideas no 156 du 01 10

**100 ideas no 156 du 01 10 1986 mode vestes d auto pdf book** - Nov 10 2022

web jan 10 1986 right here we have countless book 100 ideas no 156 du 01 10 1986 mode vestes d auto pdf and collections to check out we additionally have enough money variant types and as a consequence type of the books to browse

**100 ideas no 156 du 01 10 1986 mode vestes d automne** - Mar 14 2023

web 100 ideas no 156 du 01 10 1986 mode vestes d automne enfants 3 plaids mosaã que beaute cuisine le miel ballade ecossaises l ile au whisky by collectif alexander hamiltons final version of the report on the populist radical right parties in europe by cas mudde love maze en 2020 robe de soire 2018 ides de photo eur lex

100 ideas no 156 du 01 10 1986 mode vestes d auto ingo - Jul 18 2023

web 100 ideas no 156 du 01 10 1986 mode vestes d auto partner that we give here and check out the link you could buy guide 100 ideas no 156 du 01 10 1986 mode vestes d auto or get it as soon as feasible you could quickly download this 100 ideas no 156 du 01 10 1986 mode vestes d auto after getting deal

*babaannelerimiz bu İşi biliyormuş vintage modasının* - Jun 05 2022

web nov 20 2017 vintage modasının İstanbul daki en İyi temsilcisi olan 13 mağaza Özellikle moda takipçilerinin yakından ilgilendiği vintage moda akımı gençler arasında oldukça yaygın vintage denince de akla ilk gelen babaannelerimizin dedelerimizin giydiği kıyafetler kullandıkları eşyalar oluyor

**100 ideas no 156 du 01 10 1986 mode vestes d automne** - Sep 08 2022

web 100 ideas no 156 du 01 10 1986 mode vestes d automne enfants 3 plaids mosaã que beaute cuisine le miel ballade ecossaises l ile au whisky by collectif love maze en 2020 robe de soire 2018 ides de photo purpose driven church co uk zondervan demographics of france santiago ramn y cajal eur lex 52014xc0627 01 en eur

100 ideas no 156 du 01 10 1986 mode vestes d auto pdf 2023 - Jun 17 2023

web said the 100 ideas no 156 du 01 10 1986 mode vestes d auto pdf is universally compatible once any devices to read capital as power jonathan nitzan 2009 06 02 conventional theories of capitalism are mired in a deep crisis after centuries of debate they are still unable to tell us what capital is

**100 ideas no 156 du 01 10 1986 mode vestes d auto 2022** - Sep 20 2023

web jan 10 1986 archives internationales d histoire des idées 100 ideas no 156 du 01 10 1986 mode vestes d auto downloaded from legacy theoec org by guest bowers emerson identity and difference colors of the world frantz fanon s psychiatric career was crucial to his thinking as an anti colonialist writer and activist much of his iconic

**100 ideas no 156 du 01 10 1986 mode vestes d** - May 16 2023

web ici vous pouvez lire100 ideas no 156 du 01 10 1986 mode vestes d automne enfants 3 plaids mosaã que beaute cuisine le miel ballade ecossaises l ile au whisky gratuitment vous pouvez également lire et télécharger les nouveaux et anciens e books complètes

100 ideas no 156 du 01 10 1986 mode vestes d auto 2022 - Aug 19 2023

web jan 10 1986 100 ideas no 156 du 01 10 1986 mode vestes d auto is available in our digital library an online access to it

is set as public so you can get it instantly our books collection spans in multiple locations allowing you to get the most less latency time to download any of our books like this one

[100 idees no 156 du 01 10 1986 mode vestes d auto bettina](#) - Jul 06 2022

web jan 10 1986 download this 100 idees no 156 du 01 10 1986 mode vestes d auto after getting deal so gone you require the ebook swiftly you can straight get it its suitably certainly easy and suitably fats isnt it you have to favor to in this atmosphere the civilisation of the period of the renaissance in italy jacob burckhardt 1878 painting on

**100 idees no 156 du 01 10 1986 mode vestes d auto robert** - Oct 09 2022

web jan 10 1986 kindly say the 100 idees no 156 du 01 10 1986 mode vestes d auto is universally compatible with any devices to read desistance from crime michael rocque 2017 04 25 this book represents a brief treatise on the theory and research behind the concept of desistance from crime

**100 idees no 156 du 01 10 1986 mode vestes d auto pdf** - Jan 12 2023

web jan 10 1986 right site to start getting this info get the 100 idees no 156 du 01 10 1986 mode vestes d auto pdf join that we find the money for here and check out the link you could buy guide 100 idees no 156 du 01 10 1986 mode vestes d auto pdf or get it as soon as feasible you could speedily download this 100 idees no 156

**100 idees no 156 01 10 1986 musée de la presse** - Apr 15 2023

web 100 idees no 156 01 10 1986 mode vestes d automne enfants 3 plaids mosaÃ que beaute cuisine le miel ballade ecossaises l ile au whisky vous pouvez achetez cette publication sur journaux collection com

[100 idees no 156 du 01 10 1986 mode vestes d auto pdf pdf](#) - Feb 13 2023

web jan 10 1986 100 idees no 156 du 01 10 1986 mode vestes d auto pdf web jan 10 1986 right here we have countless ebook 100 idees no 156 du 01 10 1986 mode vestes d auto pdf and collections to check out we additionally provide variant types and as well as type of the books to browse 100 idees no 156 du 01 10 1986 mode vestes d auto pdf

**İstanbul un moda stil tarz ve alışveriş ajandası time out** - Apr 03 2022

web İstanbul da alışveriş için en iyi yerler en yeni butikler kuaförler modacılar ayakkabı giyim trend mağazaları ve moda dünyasının son haberlerini keşfedin

[100 idee che hanno vestito la moda libro logos ibs](#) - Feb 01 2022

web 100 idee che hanno vestito la moda è un libro pubblicato da logos acquista su ibs a 11 98

**İstanbul un en iyi vintage butikleri time out** - May 04 2022

web alışveriş stil beşiktaş second chance in sahiplerinden biri kendine has tarz yaratma konusunda usta olan model ahu yağtu kıyafetlere ikinci bir şansın verildiği butikte 50

[wieso weshalb warum mein junior adventskalender tiere im winter](#) - Nov 03 2022

web der junior adventskalender nimmt kinder mit in einen verschneiten winterwald dort gibt es viel zu entdecken wonach sucht das eichhörnchen wer

**advent und adventskalender kindergarten und kita ideen** - Feb 23 2022

web advent und adventskalender basteln kindergarten und kita ideen advents ideen für kindergarten und kita der advent ist die zeit in der wir uns auf das weihnachtsfest vorbereiten das wort advent stammt vom wort adventare ab das erwarten bedeutet der advent wird bei uns seit dem fünften jahrhundert gefeiert und die adventszeit dauert

**mein junior adventskalender tiere im winter wieso weshalb warum** - Aug 12 2023

web mein junior adventskalender tiere im winter wieso weshalb warum wie sieht es im dachsbau aus und was versteckt das eichhörnchen der junior adventskalender nimmt kinder ab 2 jahren mit in den winterwald hinter den 24 klappen finden sie liebevolle illustrationen und jede menge sachwissen

**wieso weshalb warum mein junior adventskalender tiere im winter** - Apr 08 2023

web der junior adventskalender nimmt kinder mit in einen verschneiten winterwald dort gibt es viel zu entdecken wonach sucht das eichhörnchen wer schlummert in der baumhöhle

**wieso weshalb warum mein junior adventskalender tiere im winter** - Dec 04 2022

web mein junior adventskalender tiere im winter wieso weshalb warum mein junior adventskalender tiere im winter jetzt bewerten der junior adventskalender nimmt kinder mit in einen verschneiten winterwald dort gibt es viel zu entdecken wonach sucht das eichhörnchen wer schlummert in der baumhöhle wo steckt das kaninchen

**wieso weshalb warum mein junior adventskalender tiere im winter** - Oct 14 2023

web wieso weshalb warum mein junior adventskalender tiere im winter amazon sg office products

**verlosung wieso weshalb warum mein junior adventskalender tiere im** - Jul 31 2022

web nov 10 2019 von der sehr beliebten wieso weshalb warum reihe gibt es nun mit mein junior adventskalender tiere im winter eine ganz wundervolle art des adventskalenders schon für die ganz kleinen der großformatige kalender lässt sich aufgeklappt aufstellen oder sogar am besten aufhängen

**wieso weshalb warum mein junior adventskalender tiere im winter** - Oct 02 2022

web wieso weshalb warum mein junior adventskalender tiere im winter jetzt online kaufen bei wällermarkt im geschäft im wällermarkt vorrätig online bestellen versandkostenfrei ab 20 00

*mein junior adventskalender tiere im winter wieso weshalb warum* - Jun 29 2022

web mein junior adventskalender tiere im winter wieso weshalb warum sonderband by esther von hacht wieso weshalb warum mein adventskalender buch may 13th 2020 dieses jahr außerdem mit 2 noch nie im adventskalender verwendeten titeln aus maxi

*die besten adventskalender für hunde katzen und kleintiere* - Mar 27 2022

web 2023 kaninchen meerschweinchen und co sollen auf ihren tierischen adventskalender natürlich nicht verzichten der jr farm grainless adventskalender 2023 für kleintiere enthält 24 snacks und knusprig gebackene kekse für kaninchen und andere nager natürlich ohne getreide 8 29 via zooplus de spoiler

ravensburger wieso weshalb warum mein junior adventskalender tiere im - Jul 11 2023

web der junior adventskalender nimmt kinder mit in einen verschneiten winterwald dort gibt es viel zu entdecken wonach sucht das eichhörnchen wer schlummert in der baumhöhle wo steckt das kaninchen hinter 24 klappen finden kinder ab 2 jahren liebevolle illustrationen und jede menge sachwissen

**mein junior adventskalender tiere im winter wieso weshalb warum** - May 29 2022

web mein junior adventskalender tiere im winter wieso weshalb may 25th 2020 mein junior adventskalender tiere im winter wieso weshalb warum sonderband von hacht esther isbn 4049817329528 kostenloser versand für alle bücher mit versand und verkauf duch verlosung wieso weshalb warum mein junior

wieso weshalb warum mein junior adventskalender tiere im winter - Mar 07 2023

web mein junior adventskalender tiere im winter der junior adventskalender nimmt kinder mit in einen verschneiten winterwald dort gibt es viel zu entdecken wonach sucht das eichhörnchen

wieso weshalb warum mein junior adventskalender tiere im winter - Feb 06 2023

web der junior adventskalender nimmt kinder mit in einen verschneiten winterwald dort gibt es viel zu entdecken wonach sucht das eichhörnchen wer schlummert in der baumhöhle wo steckt das kaninchen hinter 24 klappen finden kinder ab 2 jahren liebevolle illustrationen und jede menge sachwissen

**mein junior adventskalender tiere im winter wieso** - Apr 27 2022

web enter the realm of mein junior adventskalender tiere im winter wieso a mesmerizing literary masterpiece penned by a distinguished author guiding readers on a profound journey to unravel the secrets and potential hidden within every word

wieso weshalb warum mein junior adventskalender tiere im winter - Jun 10 2023

web der junior adventskalender nimmt kinder mit in einen verschneiten winterwald dort gibt es viel zu entdecken wonach sucht das eichhörnchen wer schlummert in der baumhöhle

wieso weshalb warum mein junior adventskalender tiere im winter - Sep 13 2023

web wieso weshalb warum mein junior adventskalender tiere im winter wieso weshalb warum sonderband von hacht esther isbn 4049817329528 kostenloser versand für alle bücher mit versand und verkauf duch amazon

wieso weshalb warum mein junior adventskalender tiere im winter - May 09 2023

web klappentext zu wieso weshalb warum mein junior adventskalender tiere im winter der junior adventskalender nimmt

kinder mit in einen verschneiten winterwald dort gibt es viel zu entdecken wonach sucht das eichhörnchen wer schlummert in der baumhöhle wo steckt das kaninchen

**wieso weshalb warum mein junior adventskalender tiere im winter** - Jan 05 2023

web weshalb warum mein junior adventskalender tiere im winter osiander startseite vor ort schliessen mein konto merkzettel warenkorb suche formular zurücksetzen suchanfrage abschicken overlay schliessen suche formular zurücksetzen wieso weshalb warum mein junior adventskalender tiere im winter buch 9 99 inkl

**wieso weshalb warum mein junior adventskalender tiere im winter** - Sep 01 2022

web produktbeschreibung der junior adventskalender nimmt kinder mit in einen verschneiten winterwald dort gibt es viel zu entdecken wonach sucht das eichhörnchen wer schlummert in der baumhöhle wo steckt das kaninchen hinter 24 klappen finden kinder ab 2 jahren liebevolle illustrationen und jede menge sachwissen

quitclaim filing procedures in maricopa county arizona - Aug 21 2022

web may 21 2019 under certain circumstances such as a divorce you may need to remove your name from a deed a quitclaim deed is a simple way to do this in maricopa county arizona you ll need to complete the quitclaim deed form afterward take the form to either the phoenix or mesa office to have it recorded

**law library resource center the judicial branch of arizona in** - Jun 30 2023

web warranty deeds bind the grantor to ensure the completeness security and continuance of the title transferred forms for conveyances quit claim conveyance warranty mortgage a r s 33 402 deed resources may be located at the following maricopa county recorder s office pima county recorder s office continued

**arizona quitclaim deed download legal document for arizona** - Mar 16 2022

web arizona quitclaim deed download legal document to transfer title and ownership of real estate located within the state of arizona valid in all counties

*maricopa county recorder s office arizona quitclaim deed* - Oct 03 2023

web maricopa county recorder s office has two full service offices to record your quitclaim deed the main office is located in downtown phoenix the southeast office is in mesa arizona maricopa county recorder s offices are responsible for recording and maintaining permanent public records

form requirements maricopa county arizona - Feb 24 2023

web 11 480 requirements for form of instruments a only an instrument which upon presentation to a county recorder for recordation fails to meet any of the following conditions may be rejected for recordation at the time of presentation for recordation 1 each instrument shall have a caption briefly stating the nature of the instrument such as

**free arizona quit claim deed form pdf word eforms** - Sep 02 2023

web updated september 19 2023 an arizona quit claim deed is used to transfer property from one person grantor to another grantee without any warranty as to whether the title is clear in other words the person transferring the property is not making any warranties against other claims to the property from others

*how to file a quitclaim deed in arizona arizona guide - Aug 01 2023*

web step 1 prepare the quitclaim deed the first step in filing a quitclaim deed in arizona is to prepare the document itself it is recommended to consult an attorney or a legal document preparation service to ensure the deed is correctly drafted and

**get the free maricopa county quit claim deed form pdf pdffiller - Nov 23 2022**

web a maricopa county quit claim is a type of real estate deed used in maricopa county arizona it is a legal document that transfers the ownership of a property from one person or entity to another but it does not provide any guarantees or warranties regarding the ownership or condition of the property

*arizona quit claim deed forms deeds com - Apr 16 2022*

web rev stat 33 411 01 back to arizona quitclaim deeds are documents used to transfer the owner s interest if any in real property to someone else with no warranties of title the transfer may or may not include consideration something of value usually money they are

[arizona quit claim deed affordable family law inc](#) - May 30 2023

web how much does it cost to file a quit claim deed in arizona to be clear our fee of 199 is to make sure it s done correctly that is our fee to have a licensed insured bonded arizona certified legal document preparer cldp make certain it is done correctly maricopa county also charges a 51 filing fee to file the paperwork at the courthouse

*free arizona quitclaim deed form pdf word legal templates - Sep 21 2022*

web aug 8 2023 create document updated august 8 2023 reviewed by susan chai esq an arizona quitclaim deed is a useful tool in transferring property when the parties do not need any title warranties the document is typically used for property transfer within families or divorce proceedings laws requirements

[arizona quitclaim deed arizona quit claim deed](#) - Jan 26 2023

web arizona quitclaim deed means exactly what it implies this instrument can only be used in the state of arizona while most quitclaim deeds are the same each state and their counties have their own laws and procedures after executing the quitclaim deed you should record the document in the county where the property is located

*maricopa county quit claim deed form pdf signnow - Mar 28 2023*

web the way to complete the quit claim deed maricopa county form on the web to get started on the blank use the fill camp sign online button or tick the preview image of the document the advanced tools of the editor will lead you through the editable pdf template enter your official identification and contact details

[eviction filings in arizona s fast growing maricopa county](#) - Feb 12 2022

web nov 2 2023 census figures show that maricopa county recently saw the largest migration boom in the u s leaving real estate developers struggling to meet the housing needs of tens of thousands of new

[arizona quitclaim deed recording requirements](#) - Jul 20 2022

web jan 1 1991 1 each instrument shall have a caption briefly stating the nature of the instrument such as warranty deed release of mortgage and like captions the county recorder shall have no obligation to index any instrument under any subject index category maintained by the county recorder unless that category is included in the caption to the

**how to file a quit claim deed in arizona legal beagle** - Oct 23 2022

web jun 18 2019 for an arizona quitclaim to be valid it must be in writing be signed by the grantor in the presence of a notary public the grantor is the current owner of the property the person selling or giving away his title

**maricopa county quit claim deed forms arizona deeds com** - Dec 25 2022

web quit claim deed state arizona area maricopa county price 27 97 delivery immediate download payment information email first name last name credit card type credit card number expiration month expiration year card security code back to arizona quit claim deed included forms

**understanding quitclaim deeds in arizona macqueen** - May 18 2022

web sep 7 2018 a quitclaim deed is one of the common options to transfer ownership of a property in arizona quitclaim deeds can be used in a variety of situations to legally transfer property to a trust co owner or different ownership structure

[eviction filings in arizona s fast growing maricopa county surge](#) - Jun 18 2022

web 8 hours ago census figures show that maricopa county recently saw the largest migration boom in the u s leaving real estate developers struggling to meet the housing needs of tens of thousands of new residents arriving every year from july 2021 to july 2022 the county grew by almost 57 000 new residents and now has a population of 4 5 million

[arizona quitclaim deed eforms](#) - Apr 28 2023

web arizona quitclaim deed state of arizona county of know all men by these presents that for and in consideration of the sum of us dollars in hand paid to with an address of the grantor or grantors does do hereby remise release and forever quit claim to arizona quit claim deed form author eforms created date