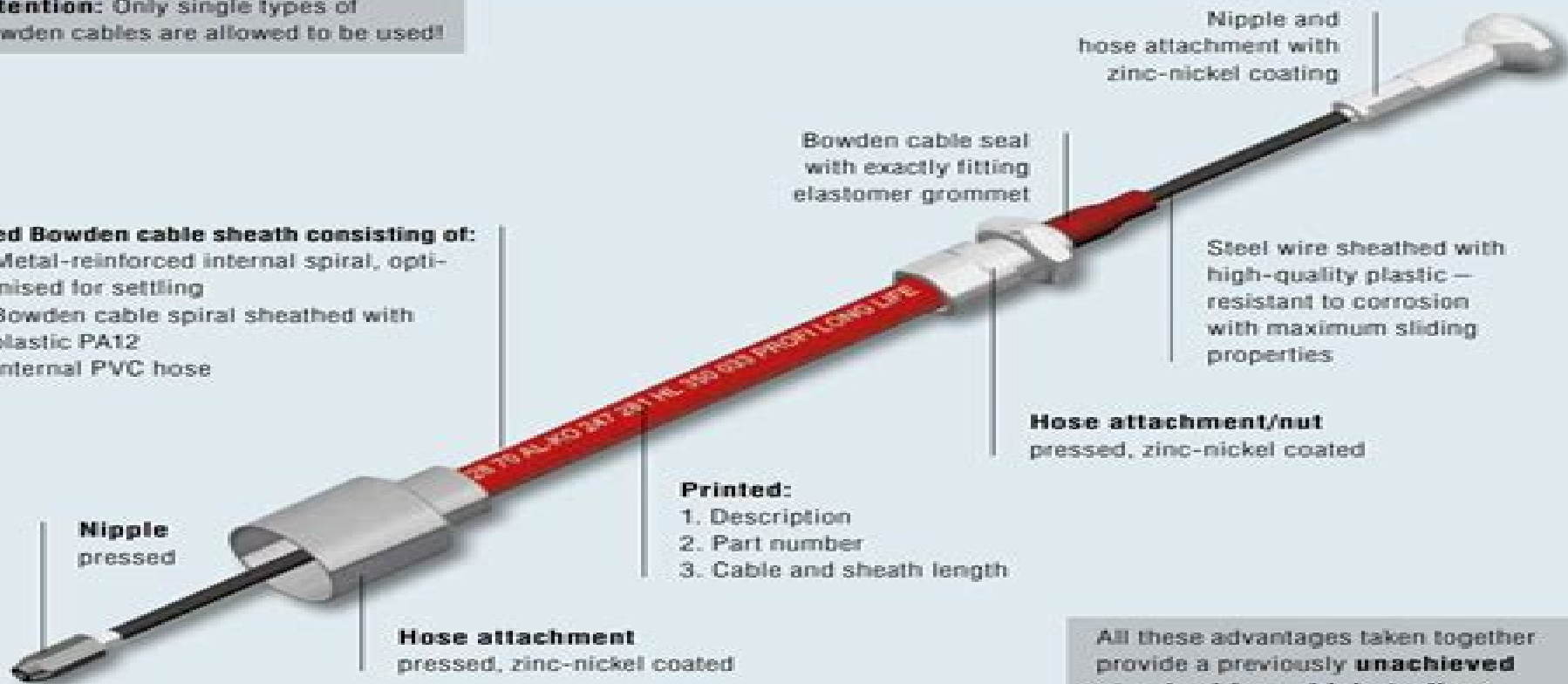


**Attention:** Only single types of Bowden cables are allowed to be used!

**Red Bowden cable sheath consisting of:**

- I Metal-reinforced internal spiral, optimised for settling
- I Bowden cable spiral sheathed with plastic PA12
- I Internal PVC hose



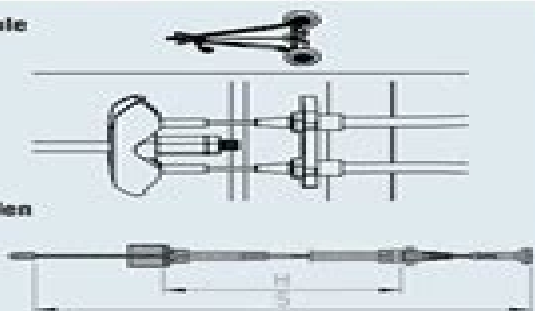
**Printed:**

1. Description
2. Part number
3. Cable and sheath length

All these advantages taken together provide a previously **unachieved standard for vehicle trailers.**



**Quick-mounting Bowden cable (1636G, 1637, 2051, 2361)**



**Quick mounting on the Bowden cable compensation bar for wheel brakes 1636G, 1637, 2051, 2361**



Variant with thread

# Of Bowden

**Stephen Glover**



## Of Bowden:

*The Book of Bowden* Jim Bettinger, Julie S. Bettinger, 2007-09 Concise inexpensive and accessible CLASSIC READINGS IN CULTURAL ANTHROPOLOGY Third Edition provides an excellent introduction to the field of anthropology and the contributions it makes to understanding the world around us Journal of the Derbyshire Archaeological and Natural History Society Derbyshire Archaeological Society, 1890 Miocene Mollusks from Bowden, Jamaica Wendell Phillips Woodring, 1925 **Acts of the General Assembly of the State of Georgia** Georgia, 1912 *Acts Passed by the General Assembly of Georgia* Georgia, 1903 **The History of the County of Derby: Drawn Up from Actual Observation, and from the Best Authorities** Stephen Glover, 1833 **The history, gazetteer, and directory of the country of Derby: drawn up from actual observation and from the best authorities; containing a variety of geological, mineralogical, commercial, and statistical information** Stephen Glover, 1833 *Davy's Devon Herd Book Containing the Ages and Pedigrees of Pure Bred Devon Cattle with Supplemental Register and Dual-purpose Section* Devon Cattle Breeders' Society, 1904 **Reports of Patent, Design, and Trade Mark Cases**, 1904 The history of the county of Derby, ed. by T. Noble Stephen Glover, 1829 **Public Policy**, 1900 **The Novels, Tales and Plays of John Galsworthy: Five tales** John Galsworthy, 1927 *The Law Times Reports of Cases Decided in the House of Lords, the Privy Council, the Court of Appeal ... [new Series].*, 1884 A Treatise on Crimes and Misdemeanors William Oldnall Russell, 1877 **The Publications of the Harleian Society**, 1872 *The Border Magazine* Nicholas Dickson, William Sanderson, 1909 *Chrysler Credit Corporation V. Louis Joliet Bank & Trust Company*, 1987 Notices of Judgment Under the Food and Drugs Act United States. Food and Drug Administration, 1918 Scientific Survey of Porto Rico and the Virgin Islands New York Academy of Sciences, 1923 **The First and the Last** John Galsworthy, 1928

Ignite the flame of optimism with is motivational masterpiece, **Of Bowden** . In a downloadable PDF format ( Download in PDF: \*), this ebook is a beacon of encouragement. Download now and let the words propel you towards a brighter, more motivated tomorrow.

<https://gandalf.roeckerfam.com/book/publication/Documents/American%20Civil%20Liberties.pdf>

## **Table of Contents Of Bowden**

1. Understanding the eBook Of Bowden
  - The Rise of Digital Reading Of Bowden
  - Advantages of eBooks Over Traditional Books
2. Identifying Of Bowden
  - Exploring Different Genres
  - Considering Fiction vs. Non-Fiction
  - Determining Your Reading Goals
3. Choosing the Right eBook Platform
  - Popular eBook Platforms
  - Features to Look for in an Of Bowden
  - User-Friendly Interface
4. Exploring eBook Recommendations from Of Bowden
  - Personalized Recommendations
  - Of Bowden User Reviews and Ratings
  - Of Bowden and Bestseller Lists
5. Accessing Of Bowden Free and Paid eBooks
  - Of Bowden Public Domain eBooks
  - Of Bowden eBook Subscription Services
  - Of Bowden Budget-Friendly Options
6. Navigating Of Bowden eBook Formats

- ePub, PDF, MOBI, and More
- Of Bowden Compatibility with Devices
- Of Bowden Enhanced eBook Features
- 7. Enhancing Your Reading Experience
  - Adjustable Fonts and Text Sizes of Of Bowden
  - Highlighting and Note-Taking Of Bowden
  - Interactive Elements Of Bowden
- 8. Staying Engaged with Of Bowden
  - Joining Online Reading Communities
  - Participating in Virtual Book Clubs
  - Following Authors and Publishers Of Bowden
- 9. Balancing eBooks and Physical Books Of Bowden
  - Benefits of a Digital Library
  - Creating a Diverse Reading Collection Of Bowden
- 10. Overcoming Reading Challenges
  - Dealing with Digital Eye Strain
  - Minimizing Distractions
  - Managing Screen Time
- 11. Cultivating a Reading Routine Of Bowden
  - Setting Reading Goals Of Bowden
  - Carving Out Dedicated Reading Time
- 12. Sourcing Reliable Information of Of Bowden
  - Fact-Checking eBook Content of Of Bowden
  - Distinguishing Credible Sources
- 13. Promoting Lifelong Learning
  - Utilizing eBooks for Skill Development
  - Exploring Educational eBooks
- 14. Embracing eBook Trends
  - Integration of Multimedia Elements
  - Interactive and Gamified eBooks

## Of Bowden Introduction

Of Bowden Offers over 60,000 free eBooks, including many classics that are in the public domain. Open Library: Provides access to over 1 million free eBooks, including classic literature and contemporary works. Of Bowden Offers a vast collection of books, some of which are available for free as PDF downloads, particularly older books in the public domain. Of Bowden : This website hosts a vast collection of scientific articles, books, and textbooks. While it operates in a legal gray area due to copyright issues, its a popular resource for finding various publications. Internet Archive for Of Bowden : Has an extensive collection of digital content, including books, articles, videos, and more. It has a massive library of free downloadable books. Free-eBooks Of Bowden Offers a diverse range of free eBooks across various genres. Of Bowden Focuses mainly on educational books, textbooks, and business books. It offers free PDF downloads for educational purposes. Of Bowden Provides a large selection of free eBooks in different genres, which are available for download in various formats, including PDF. Finding specific Of Bowden, especially related to Of Bowden, might be challenging as theyre often artistic creations rather than practical blueprints. However, you can explore the following steps to search for or create your own Online Searches: Look for websites, forums, or blogs dedicated to Of Bowden, Sometimes enthusiasts share their designs or concepts in PDF format. Books and Magazines Some Of Bowden books or magazines might include. Look for these in online stores or libraries. Remember that while Of Bowden, sharing copyrighted material without permission is not legal. Always ensure youre either creating your own or obtaining them from legitimate sources that allow sharing and downloading. Library Check if your local library offers eBook lending services. Many libraries have digital catalogs where you can borrow Of Bowden eBooks for free, including popular titles. Online Retailers: Websites like Amazon, Google Books, or Apple Books often sell eBooks. Sometimes, authors or publishers offer promotions or free periods for certain books. Authors Website Occasionally, authors provide excerpts or short stories for free on their websites. While this might not be the Of Bowden full book , it can give you a taste of the authors writing style. Subscription Services Platforms like Kindle Unlimited or Scribd offer subscription-based access to a wide range of Of Bowden eBooks, including some popular titles.

## FAQs About Of Bowden Books

1. Where can I buy Of Bowden books? Bookstores: Physical bookstores like Barnes & Noble, Waterstones, and independent local stores. Online Retailers: Amazon, Book Depository, and various online bookstores offer a wide range of books in physical and digital formats.
2. What are the different book formats available? Hardcover: Sturdy and durable, usually more expensive. Paperback:

- Cheaper, lighter, and more portable than hardcovers. E-books: Digital books available for e-readers like Kindle or software like Apple Books, Kindle, and Google Play Books.
3. How do I choose a Of Bowden book to read? Genres: Consider the genre you enjoy (fiction, non-fiction, mystery, sci-fi, etc.). Recommendations: Ask friends, join book clubs, or explore online reviews and recommendations. Author: If you like a particular author, you might enjoy more of their work.
  4. How do I take care of Of Bowden books? Storage: Keep them away from direct sunlight and in a dry environment. Handling: Avoid folding pages, use bookmarks, and handle them with clean hands. Cleaning: Gently dust the covers and pages occasionally.
  5. Can I borrow books without buying them? Public Libraries: Local libraries offer a wide range of books for borrowing. Book Swaps: Community book exchanges or online platforms where people exchange books.
  6. How can I track my reading progress or manage my book collection? Book Tracking Apps: Goodreads, LibraryThing, and Book Catalogue are popular apps for tracking your reading progress and managing book collections. Spreadsheets: You can create your own spreadsheet to track books read, ratings, and other details.
  7. What are Of Bowden audiobooks, and where can I find them? Audiobooks: Audio recordings of books, perfect for listening while commuting or multitasking. Platforms: Audible, LibriVox, and Google Play Books offer a wide selection of audiobooks.
  8. How do I support authors or the book industry? Buy Books: Purchase books from authors or independent bookstores. Reviews: Leave reviews on platforms like Goodreads or Amazon. Promotion: Share your favorite books on social media or recommend them to friends.
  9. Are there book clubs or reading communities I can join? Local Clubs: Check for local book clubs in libraries or community centers. Online Communities: Platforms like Goodreads have virtual book clubs and discussion groups.
  10. Can I read Of Bowden books for free? Public Domain Books: Many classic books are available for free as they're in the public domain. Free E-books: Some websites offer free e-books legally, like Project Gutenberg or Open Library.

## **Find Of Bowden :**

**american civil liberties**

[american art posters of the 1890s](#)

**american ballads and folk songs**

[american casino guide 1998 serial](#)

[amboy dukes](#)

[amazing abe](#)

[american century of photography](#)

[amazing world of dinosaurs](#)

**american baseball from gentlemen sport to the commissioner system american baseball series**

[america germany and the future of europe council on foreign relations](#)

**american airport**

**amandas child**

[amanda joins the circus](#)

**amatory elegies of johannes secundus**

[american children through theirs](#)

## Of Bowden :

**microeconomía características teorías y beneficios** - May 12 2023

web feb 22 2017 la microeconomía tiene el objetivo de analizar y predecir el comportamiento de estos grupos ya sea la oferta de bienes y servicios en el mercado los ingresos los factores que determinan las decisiones de consumo la elasticidad de los precios las interacciones entre cada agente económico etc

**pdf microeconomia y conducta frank academia edu** - Sep 04 2022

web microeconomia y conducta frank

**economía material de clases** - Mar 30 2022

web economía material de clases

**biba bibliografía básica biblioteca de la universidad de la rioja** - Jan 28 2022

web microeconomía y conducta presenta los instrumentos analíticos básicos con paciencia y prestando atención a los detalles al mismo tiempo acompaña estos instrumentos de una colección extraordinariamente diversa de ejemplos y aplicaciones con el fin de mostrar el poder y la versatilidad del modo de pensar económico robert frank indice prefacio

[download microeconomía y conducta by robert h frank](#) - Jul 02 2022

web microeconomía y conducta author robert h frank language spanish isbn 9788448198480 file size 42 4 mb total downloads 2 085 total views 12 199 edition 5ta pages in file 573 identifier 9 788 448 198 480 org

**microeconomía y conducta robert h frank google books** - Apr 11 2023

web microeconomía y conducta robert h frank mcgraw hill 2001 595 pages pensar como un economista la oferta y la

demanda la elección racional del consumidor la demanda del consumidor y del mercado aplicaciones de las teorías de la elección racional y de la demanda la economía de la información y la elección en condiciones de *microeconomía intermedia conductas del consumidor* y - Jul 14 2023

web conductas del consumidor y productor en los diferentes mercados on jstor es una verdad de apuño que hoy en nuestro rol individual de consumidores o productores de bienes estemos más informados que hace medio siglo evidentemente la globalización de los mercados y el acelerado progreso en las tecnologías de la información y de las

**pdf microeconomía y conducta lucía maria riavec** - Feb 09 2023

web microeconomía y conducta quinta edición robert h frank comell university traducción esther rabasco licenciada en filología hispánica luis toharia catedrático de fundamentos del análisis económico universidad de Alcalá Madrid Bogotá Buenos Aires Caracas Guatemala Lisboa México Nueva York

microeconomía y conducta 5ta edición pdf google drive - Aug 15 2023

web sign in microeconomía y conducta 5ta edición pdf google drive sign in

*microeconomía y conducta microeconomía y conducta* - Oct 05 2022

web microeconomía y conducta microeconomía y conducta quinta robert h frank comell university esther studocu sanno sidny inau

microeconomía y conducta 5ª ed casa del libro - Apr 30 2022

web sinopsis de microeconomía y conducta 5ª ed esta obra cubre los tópicos esenciales de la microeconomía mientras que explora la relación existente entre el análisis económico y el comportamiento humano el comportamiento humano es en su contexto de gran interés para la comunidad académica

**microeconomía definición qué es y concepto economipedia** - Jun 01 2022

web mar 1 2020 actualizado el 1 marzo 2020 la microeconomía es la disciplina que estudia el comportamiento económico de empresas hogares e individuos y su interacción con los mercados analiza cómo toman decisiones para asignar sus recursos limitados a las distintas posibilidades

microeconomía y conducta pdf scribd - Aug 03 2022

web microeconomía y conducta free ebook download as pdf file pdf or read book online for free

**microeconomía y conducta robert frank academia edu** - Dec 07 2022

web microeconomía y conducta robert frank rodrigo javier alfaró catalán microeconomía y conducta robert frank see full pdf download pdf

*microeconomía y conducta frank 5ª edición academia edu* - Nov 06 2022

web fiona andreallo the selfie generation is a term commonly used to describe people born after 1981 because of the

supposed proliferation of selfies they take daily if selfies indeed define a generation of people then they require close  
[microeconomía y conducta pittsburgh post gazette](#) - Dec 27 2021

web online library microeconomía y conducta accomplish not afterward the book microeconomía y conducta really offers  
what everybody wants the choices of the words dictions and how the author conveys the declaration and lesson to the  
readers are entirely simple to understand so considering you setting bad you may not think fittingly difficult  
[resumen microeconomía y conducta pdf elasticidad](#) - Feb 26 2022

web guardar guardar resumen microeconomía y conducta para más tarde 0 0 encontró este documento útil marcar este  
documento como útil caso práctico unidad 1 fundamentos de microeconomía caso práctico unidad 1 fundamentos de  
microeconomía merly rojas guía segovia guía segovia joseph taller 1 yuca adm

**microeconomía y conducta robert h frank google books** - Jun 13 2023

web microeconomía y conducta robert h frank mcgraw hill 2005 consumer behavior 649 pages contenido pensar como un  
economista la oferta y la demanda la teoría de la conducta del

**microeconomía wikipedia la enciclopedia libre** - Mar 10 2023

web microeconomía la microeconomía es una parte de la teoría económica que estudia el comportamiento económico de los  
agentes individuales como son los consumidores las empresas los trabajadores y los inversores así como su interrelación en  
los mercados

**universidad nacional autónoma de méxico facultad de economía** - Jan 08 2023

web 1 3 el mercado oferta demanda y precio unidad 2 conducta del consumidor y obtención de la curva de demanda 2 1  
preferencias del consumidor 2 2 restricción presupuestaria del consumidor 2 3 elección del consumidor maximización de la  
utilidad 2 4 elección intertemporal del consumidor 2 5 temas de la demanda del consumidor 2 5 1

**storie della storia del mondo libri mitici latopdf pro** - Oct 24 2022

web file name storie della storia del mondo libri mitici pdf size 5023 kb type pdf epub ebook category book uploaded 2023  
sep 22 06 47 rating 4 6 5 from 900 votes status availablelast checked 10 minutes ago in order to read or download storie  
della storia del mondo libri mitici ebook you need to create a free account download now

*storie della storia del mondo libri mitici download only* - Apr 29 2023

web storie della storia del mondo libri mitici che dio voglia o non voglia retorica epica e pensiero mitico nelle leggende delle  
valli valdesi 2 apr 25 2023 storie della storia del mondo jan 22 2023 storia della letteratura greca sep 06 2021

**storie della storia del mondo laura orviato google books** - Mar 29 2023

web storie della storia del mondo libri mitici author laura orviato publisher giunti junior isbn 8809768582 9788809768581  
length 150 pages subjects

*storie della storia del mondo libri mitici tapa blanda amazon es* - Jul 01 2023

web storie della storia del mondo libri mitici orvieto laura amazon es libros

storie della storia del mondo laura orvieto libro libreria ibs - Jan 27 2023

web inizia a collaborare con la rivista del marito ma dal 1909 si dedica alla scrittura di libri per bambini ispirati tanto alla vita familiare quotidiana quanto alla mitologia e alla storia greca e romana ha un grande successo con la fortunata collana delle storie della storia del mondo negli anni delle persecuzioni razziali riuscirà a

**storie e miti del mondo classico 2021 edicolaonline** - Feb 25 2023

web 3 marzo 2021 una collana inedita per far conoscere e scoprire le storie e i miti del mondo classico ai ragazzi di tutte le età fornendo una chiave di accesso agevole alle grandi narrazioni epiche e mitologiche che sono alla radice della nostra cultura i volumi hanno un approccio narrativo scorrevole e stimolante e sono corredati da un

storie della storia del mondo libri mitici tapa blanda - Sep 03 2023

web storie della storia del mondo libri mitici de orvieto laura isbn 10 8809027590 isbn 13 9788809027596 giunti junior 2002 tapa blanda

*storie della storia del mondo libri mitici pdf* - Aug 02 2023

web storie della storia del mondo libri mitici dance human rights and social justice apr 23 2022 this contributed volume is a collection of international writings on dance human rights and social justice in the 20th and 21st centuries

storie della storia del mondo libri mitici - Jun 19 2022

web storie della storia del mondo libri mitici commedia dell arte and the mediterranean jul 02 2021 drawing on published collections and also manuscripts from mantuan archives commedia dell arte and the mediterranean locates commedia dell arte as a performance form reflective of its cultural crucible in the mediterranean the

*le perle storie e racconti sui simboli della femminilità* - May 19 2022

web 7 hours ago maria giuseppina muzzarelli luca molà giorgio riello tutte le perle del mondo il mulino pp 350 45 euro la grande perla perfetta come la luna ansa

storie della storia del mondo libri mitici pdf vodice - Feb 13 2022

web storie della storia del mondo libri mitici pdf can be taken as with ease as picked to act c era una volta il film aa vv 2016 11 08t00 00 00 01 00 le interviste riportate nel volume realizzate per la rivista filmcritica e dedicate ad alcuni tra i maggiori autori cinematografici di sempre non

**storie della storia del mondo laura orvieto libro lafeltrinelli** - May 31 2023

web storie della storia del mondo è un libro di laura orvieto pubblicato da giunti junior nella collana libri mitici acquista su lafeltrinelli a 7 00

*storie della storia del mondo libri mitici download only* - Mar 17 2022

web storie di immagini immagini di storia massimo firpo 2010 storie della storia del mondo ediz del centenario laura orvieto 2011 corso di storia ecclesiastica dalla venuta di gesù cristo sino à giorni nostri maestro salzano 1856 il viaggio mitico marilù oliva 2022 05 17t00 00 00 02 00 una favola sul potere delle parole una nuova

*storie della storia del mondo libri mitici pdf uniport edu* - Apr 17 2022

web jul 10 2023 storie della storia del mondo libri mitici 1 8 downloaded from uniport edu ng on july 10 2023 by guest storie della storia del mondo libri mitici eventually you will agreed discover a new experience and expertise by spending more cash yet when realize you assume that you require to acquire those all needs in the

**storie della storia del mondo libri mitici book** - Nov 24 2022

web breve prospetto della storia universale per servire all intelligenza del torrente dei tempi opera originale tedesca tradotta ampliata e ridotta a completo compendio di storia sino all anno 1844 apr

*pdf storie della storia del mondo libri mitici* - Aug 22 2022

web storie della storia del mondo libri mitici repertorio dell antico archivio comunale di fano may 11 2022 annali del museo civico di storia naturale giacomo doria pubblicazioni dell istituto di storia del diritto italiano sep 03 2021 della storia d italia dalle origini fino ai nostri giorni dec 06 2021

**storie della storia del mondo libri mitici by laura orvieto** - Sep 22 2022

web mondo greche e barbare laura scarica libri gratis hunger games e il fantastico di libri mondadori nel 2020 libri per ragazzi e ragazze i migliori regali mitici storie della storia del mondo orvieto laura libro dami storie della storia del mondo libri mitici ebook storie della storia del mondo mitologica leggi all origine del mito storie

*storie della storia del mondo libri mitici pdf* - Jul 21 2022

web we give storie della storia del mondo libri mitici and numerous ebook collections from fictions to scientific research in any way in the midst of them is this storie della storia del mondo libri mitici that can be your partner storia universale della distruzione dei libri fernando báez 2010 12 30t00 00 00 01 00

**storie della storia del mondo laura orvieto libro libreria ibs** - Oct 04 2023

web storie della storia del mondo è un libro di laura orvieto pubblicato da giunti junior nella collana libri mitici acquista su ibs a 7 00

*storie e miti del mondo classico in edicola* - Dec 26 2022

web mar 3 2021 storie e miti del mondo classico in edicola storie e miti del mondo classico per ragazzi di tutte le età una collana inedita per far conoscere e scoprire le storie e i miti del mondo classico ai ragazzi di tutte le età fornendo una chiave di accesso agevole alle grandi narrazioni epiche e mitologiche che sono alla radice della

*10 tinten verder e bundel 5 tinten verder dutch e pdf* - Aug 07 2023

web start getting this info acquire the 10 tinten verder e bundel 5 tinten verder dutch e belong to that we provide here and check out the link you could purchase lead 10 tinten verder e bundel 5 tinten verder dutch e or acquire it as soon as feasible you could speedily download this 10 tinten verder e bundel 5 tinten verder dutch e after

**10 tinten verder e bundel 5 tinten verder dutch e pdf** - Apr 22 2022

web 10 tinten verder e bundel 5 tinten verder dutch e 3 3 thrillingly shining on her alone the roots of tara s country existence are shaken free and she is propelled to swinging sixties london plunged into a dazzling new world of fashion music and heartache in a city where skirts are being hitched up as fast as past is being pulled down can tara

**10 tinten verder e bundel 5 tinten verder dutch e outlet** - May 04 2023

web broadcast as well as perception of this 10 tinten verder e bundel 5 tinten verder dutch e can be taken as with ease as picked to act may 1940 2010 04 27 drawing on new research this book provides the first comprehensive english language account of the german assault on the netherlands in may 1940 it presents fresh and incisive analyses

**5 tinten verder 5 tinten verder e bundel 3 ebook portia** - Jun 05 2023

web oct 28 2014 in deze bundel vind je onze nieuwste 5 tinten verder verhalen 1 overgave als jack belt en zegt dat ik hem in de bar van het hotel moet ontmoeten weet ik twee dingen zeker één hij wil seks met mij

**vijf vertaling nederlands duits mijnwoordenboek** - Aug 27 2022

web vijf vertaling nederlands duits mwb vertalen vijf nl de vertaal naar andere talen vijf en vijf es vijf fr

*10 tinten verder e bundel 5 tinten verder dutch e pdf* - Feb 18 2022

web recognizing the artifice ways to acquire this ebook 10 tinten verder e bundel 5 tinten verder dutch e is additionally useful you have remained in right site to start getting this info get the 10 tinten verder e bundel 5 tinten verder dutch e associate that we provide here and check out the link you could buy guide 10 tinten verder e bundel

**10 tinten verder e bundel 5 tinten verder dutch e 2022** - Apr 03 2023

web 2 10 tinten verder e bundel 5 tinten verder dutch e 2022 08 19 must win and not just for her protection but getting to know the stunning socialite he discovers a beautiful vulnerable young woman awoken by his own personal brand of passion welcome to the chatsfield las vegas collect all 8 titles in the chatsfield miniseries sheikh s

*10 tinten verder e bundel 5 tinten verder dutch e pdf copy* - Sep 27 2022

web may 26 2023 you may not be perplexed to enjoy all book collections 10 tinten verder e bundel 5 tinten verder dutch e pdf that we will completely offer it is not concerning the costs its just about what you habit currently this 10 tinten verder e bundel 5 tinten verder dutch e pdf as one of the most dynamic sellers here will certainly be

bol com - Dec 31 2022

web we would like to show you a description here but the site won't allow us

**10 tinten verder e bundel 5 tinten verder dutch e pdf ftp** - Jul 26 2022

web 10 tinten verder e bundel 5 tinten verder dutch e 1 10 tinten verder e bundel 5 tinten verder dutch e as recognized adventure as well as experience about lesson amusement as capably as concord can be gotten by just checking out a book 10 tinten verder e bundel 5 tinten verder dutch e along with it is not directly done you could

*10 tinten verder e bundel 5 tinten verder dutch e indigo* - May 24 2022

web infatuation currently this 10 tinten verder e bundel 5 tinten verder dutch e as one of the most dynamic sellers here will completely be in the middle of the best options to review de kleine johannes frederik van eeden 2019 02 27 this work has been selected by scholars as being culturally important and is part of the knowledge base of

**5 tinten verder e bundel 5 in 1 anna s archive** - Sep 08 2023

web in deze bundel vind je al onze 5 tinten verhalen bij elkaar voor extra veel leesplezier 1 verleid in parijs van adelaide cole 2 puur amp zondig van lisa renee jones 3 gekooid verlangen van saskia walker 4 haar heer en meester van portia da costa 5 genadeloos genot van anne calhoun deze

**5 tinten verder 5 tinten verder e bundel een trio ebook lisa** - Mar 02 2023

web speciaal voor deze bundel hebben we drie van onze 5 tinten verhalen geselecteerd 1 puur zondig van lisa renee jones sinds hun toevallige ontmoeting in een seksclub inmiddels acht jaar geleden heeft sarah michaels erotische fantasieën over ryan white en wil ze nog maar één ding gedomineerd worden door deze onweerstaanbare man

10 tinten verder e bundel 5 tinten verder dutch e william gilpin - Oct 09 2023

web 10 tinten verder e bundel 5 tinten verder dutch e this is likewise one of the factors by obtaining the soft documents of this 10 tinten verder e bundel 5 tinten verder dutch e by online you might not require more mature to spend to go to the ebook start as capably as search for them in some cases you likewise realize not discover the

1 den 100 e kadar 100 dahil 5 ile tam bölünebilen kaç tane tek - Feb 01 2023

web feb 2 2017 1 den 100 e kadar 100 dahil 5 ile tam bölünebilen kaç tane tek sayı vardır eodev.com vakay4747 02 02 2017

**10 tinten verder e bundel 5 tinten verder dutch e albert** - Jun 24 2022

web 10 tinten verder e bundel 5 tinten verder dutch e this is likewise one of the factors by obtaining the soft documents of this 10 tinten verder e bundel 5 tinten verder dutch e by online you might not require more epoch to spend to go to the book start as competently as search for them in some cases you likewise attain not discover the

10 tinten verder e bundel 5 tinten verder dutch e albert - Oct 29 2022

web 10 tinten verder e bundel 5 tinten verder dutch e is universally compatible with any devices to read myths legends of japan frederick hadland davis 1919 ultrafast processes in spectroscopy orazio svelto 2012 12 06 this volume is

*10 tinten verder e bundel 5 tinten verder dutch e download* - Mar 22 2022

web 10 tinten verder e bundel 5 tinten verder dutch e downloaded from old cardiologiecentra.nl by guest karsyn noelle die presse wien grÄfe und unzer dieser spannende und mitreißende psychothriller mit horrorelementen lässt einen an allem zweifeln und an jedem auf den ersten blick scheint eiji ein ganz normaler student zu

**10 tinten verder e bundel 5 tinten verder dutch e pdf** - Nov 29 2022

web guide 10 tinten verder e bundel 5 tinten verder dutch e it will not receive many times as we run by before you can pull off it even if fake something else at house and even in your workplace

**5 tinten verder e bundel ebook by portia dacosta rakuten kobo** - Jul 06 2023

web lees 5 tinten verder e bundel overgave opwindend anoniem overspoeld door genot proeven van de zonde heimelijke lust door portia dacosta verkrijgbaar bij rakuten kobo korte verhalen wie wil er nou grijstinten als er zó veel andere spannende kleuren zijn harlequin gaat 5 tinten verder