

J. E. THOMPSON

for the
CALCULUS
PRACTICAL
MAN

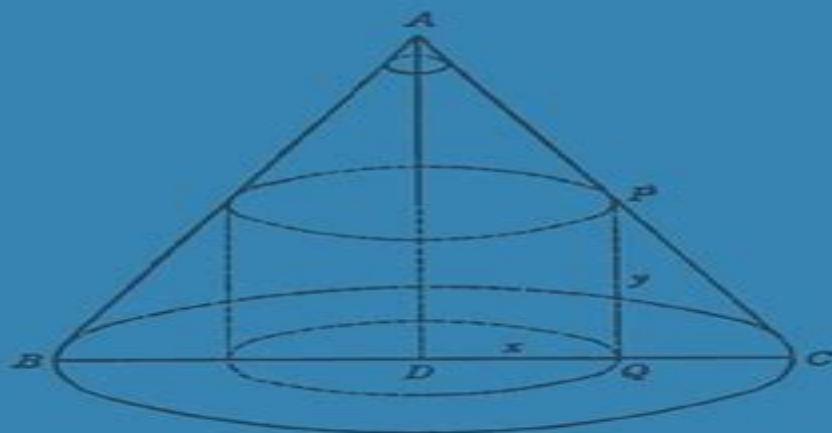


FIG. 21.

Calculus For The Practical Man 2nd Edition

CH Cherryholmes



Calculus For The Practical Man 2nd Edition:

Calculus for the Practical Man James Edgar Thompson,1946 Fundamental ideas rates and differentials Functions and derivatives Differentials of algebraic functions Use of rates and differentials in solving problems Differentials of trigonometric functions Velocity acceleration and derivatives Interpretation of functions and derivatives by means of graphs Maximum and minimum values Problems in maxima and minima Differentials of logarithmic and exponential functions Summary of differential formulas Reversing the process of differentiation Integral formulas How to use integral formulas Interpretation of integrals by means of graphs Graphical applications of integration Use of integrals in solving problems The natural law of growth and the number **Books in Print** ,1962 *Catalog of Copyright Entries. Third Series* Library of Congress. Copyright Office,1976 *General Catalogue of Printed Books* British Museum. Department of Printed Books,1969

Readers' Guide to Books on Mathematics Library Association. County Libraries Group,1959 *Practical Engineer* ,1915 The Publishers' Trade List Annual ,1970 The Bookseller ,1885 **Electrical Engineering** ,1908 **On Diseases of the Skin. Second edition** Sir William James Erasmus WILSON,1857 **Monthly Record of Scientific Literature** ,1902 **National Union Catalog** ,1972 Includes entries for maps and atlases **Books and Pamphlets, Including Serials and Contributions to Periodicals** Library of Congress. Copyright Office,1974-07 **American Book Publishing Record Cumulative, 1950-1977** R.R. Bowker Company. Department of Bibliography,1978 Catalog of Books and Reports in the Bureau of Mines Technical Library, Pittsburgh, Pa United States. Bureau of Mines. Technical Library, Pittsburgh,1968 Dictionary Catalog of the Department Library United States. Department of the Interior. Library,1967 **Steamship and Other Power Vessels** ,1905 **The International Operating Engineer** ,1959 *The Book Buyer's Guide* ,1951 **The Retail Bookseller** ,1951

The Enthralling World of E-book Books: A Comprehensive Guide Unveiling the Advantages of Kindle Books: A World of Convenience and Versatility E-book books, with their inherent portability and simplicity of availability, have freed readers from the limitations of hardcopy books. Gone are the days of carrying cumbersome novels or carefully searching for particular titles in bookstores. Kindle devices, stylish and lightweight, seamlessly store an wide library of books, allowing readers to indulge in their preferred reads anytime, anywhere. Whether commuting on a busy train, relaxing on a sun-kissed beach, or simply cozying up in bed, Kindle books provide an exceptional level of ease. A Reading Universe Unfolded: Exploring the Wide Array of E-book Calculus For The Practical Man 2nd Edition Calculus For The Practical Man 2nd Edition The Kindle Shop, a digital treasure trove of bookish gems, boasts an extensive collection of books spanning diverse genres, catering to every readers taste and preference. From captivating fiction and thought-provoking non-fiction to classic classics and modern bestsellers, the Kindle Shop offers an exceptional variety of titles to discover. Whether seeking escape through engrossing tales of fantasy and exploration, delving into the depths of historical narratives, or expanding ones understanding with insightful works of science and philosophy, the Kindle Shop provides a gateway to a bookish universe brimming with limitless possibilities. A Revolutionary Factor in the Literary Scene: The Persistent Impact of E-book Books Calculus For The Practical Man 2nd Edition The advent of E-book books has undoubtedly reshaped the bookish scene, introducing a model shift in the way books are published, disseminated, and consumed. Traditional publishing houses have embraced the digital revolution, adapting their approaches to accommodate the growing need for e-books. This has led to a rise in the availability of E-book titles, ensuring that readers have entry to a vast array of bookish works at their fingers. Moreover, E-book books have equalized entry to books, breaking down geographical barriers and providing readers worldwide with equal opportunities to engage with the written word. Regardless of their location or socioeconomic background, individuals can now engross themselves in the captivating world of literature, fostering a global community of readers. Conclusion: Embracing the E-book Experience Calculus For The Practical Man 2nd Edition E-book books Calculus For The Practical Man 2nd Edition, with their inherent convenience, versatility, and wide array of titles, have unquestionably transformed the way we encounter literature. They offer readers the liberty to discover the boundless realm of written expression, anytime, anywhere. As we continue to travel the ever-evolving online scene, E-book books stand as testament to the enduring power of storytelling, ensuring that the joy of reading remains accessible to all.

https://gandalf.roeckerfam.com/public/browse/Download_PDFS/Assistant%20Budget%20Analyst%20Career%20Examination%20Series.pdf

Table of Contents Calculus For The Practical Man 2nd Edition

1. Understanding the eBook Calculus For The Practical Man 2nd Edition
 - The Rise of Digital Reading Calculus For The Practical Man 2nd Edition
 - Advantages of eBooks Over Traditional Books
2. Identifying Calculus For The Practical Man 2nd Edition
 - Exploring Different Genres
 - Considering Fiction vs. Non-Fiction
 - Determining Your Reading Goals
3. Choosing the Right eBook Platform
 - Popular eBook Platforms
 - Features to Look for in an Calculus For The Practical Man 2nd Edition
 - User-Friendly Interface
4. Exploring eBook Recommendations from Calculus For The Practical Man 2nd Edition
 - Personalized Recommendations
 - Calculus For The Practical Man 2nd Edition User Reviews and Ratings
 - Calculus For The Practical Man 2nd Edition and Bestseller Lists
5. Accessing Calculus For The Practical Man 2nd Edition Free and Paid eBooks
 - Calculus For The Practical Man 2nd Edition Public Domain eBooks
 - Calculus For The Practical Man 2nd Edition eBook Subscription Services
 - Calculus For The Practical Man 2nd Edition Budget-Friendly Options
6. Navigating Calculus For The Practical Man 2nd Edition eBook Formats
 - ePub, PDF, MOBI, and More
 - Calculus For The Practical Man 2nd Edition Compatibility with Devices
 - Calculus For The Practical Man 2nd Edition Enhanced eBook Features
7. Enhancing Your Reading Experience
 - Adjustable Fonts and Text Sizes of Calculus For The Practical Man 2nd Edition
 - Highlighting and Note-Taking Calculus For The Practical Man 2nd Edition
 - Interactive Elements Calculus For The Practical Man 2nd Edition

8. Staying Engaged with Calculus For The Practical Man 2nd Edition
 - Joining Online Reading Communities
 - Participating in Virtual Book Clubs
 - Following Authors and Publishers Calculus For The Practical Man 2nd Edition
9. Balancing eBooks and Physical Books Calculus For The Practical Man 2nd Edition
 - Benefits of a Digital Library
 - Creating a Diverse Reading Collection Calculus For The Practical Man 2nd Edition
10. Overcoming Reading Challenges
 - Dealing with Digital Eye Strain
 - Minimizing Distractions
 - Managing Screen Time
11. Cultivating a Reading Routine Calculus For The Practical Man 2nd Edition
 - Setting Reading Goals Calculus For The Practical Man 2nd Edition
 - Carving Out Dedicated Reading Time
12. Sourcing Reliable Information of Calculus For The Practical Man 2nd Edition
 - Fact-Checking eBook Content of Calculus For The Practical Man 2nd Edition
 - Distinguishing Credible Sources
13. Promoting Lifelong Learning
 - Utilizing eBooks for Skill Development
 - Exploring Educational eBooks
14. Embracing eBook Trends
 - Integration of Multimedia Elements
 - Interactive and Gamified eBooks

Calculus For The Practical Man 2nd Edition Introduction

In this digital age, the convenience of accessing information at our fingertips has become a necessity. Whether its research papers, eBooks, or user manuals, PDF files have become the preferred format for sharing and reading documents. However, the cost associated with purchasing PDF files can sometimes be a barrier for many individuals and organizations. Thankfully, there are numerous websites and platforms that allow users to download free PDF files legally. In this article, we will explore some of the best platforms to download free PDFs. One of the most popular platforms to download free PDF files is Project

Gutenberg. This online library offers over 60,000 free eBooks that are in the public domain. From classic literature to historical documents, Project Gutenberg provides a wide range of PDF files that can be downloaded and enjoyed on various devices. The website is user-friendly and allows users to search for specific titles or browse through different categories. Another reliable platform for downloading Calculus For The Practical Man 2nd Edition free PDF files is Open Library. With its vast collection of over 1 million eBooks, Open Library has something for every reader. The website offers a seamless experience by providing options to borrow or download PDF files. Users simply need to create a free account to access this treasure trove of knowledge. Open Library also allows users to contribute by uploading and sharing their own PDF files, making it a collaborative platform for book enthusiasts. For those interested in academic resources, there are websites dedicated to providing free PDFs of research papers and scientific articles. One such website is Academia.edu, which allows researchers and scholars to share their work with a global audience. Users can download PDF files of research papers, theses, and dissertations covering a wide range of subjects. Academia.edu also provides a platform for discussions and networking within the academic community. When it comes to downloading Calculus For The Practical Man 2nd Edition free PDF files of magazines, brochures, and catalogs, Issuu is a popular choice. This digital publishing platform hosts a vast collection of publications from around the world. Users can search for specific titles or explore various categories and genres. Issuu offers a seamless reading experience with its user-friendly interface and allows users to download PDF files for offline reading. Apart from dedicated platforms, search engines also play a crucial role in finding free PDF files. Google, for instance, has an advanced search feature that allows users to filter results by file type. By specifying the file type as "PDF," users can find websites that offer free PDF downloads on a specific topic. While downloading Calculus For The Practical Man 2nd Edition free PDF files is convenient, it's important to note that copyright laws must be respected. Always ensure that the PDF files you download are legally available for free. Many authors and publishers voluntarily provide free PDF versions of their work, but it's essential to be cautious and verify the authenticity of the source before downloading Calculus For The Practical Man 2nd Edition. In conclusion, the internet offers numerous platforms and websites that allow users to download free PDF files legally. Whether it's classic literature, research papers, or magazines, there is something for everyone. The platforms mentioned in this article, such as Project Gutenberg, Open Library, Academia.edu, and Issuu, provide access to a vast collection of PDF files. However, users should always be cautious and verify the legality of the source before downloading Calculus For The Practical Man 2nd Edition any PDF files. With these platforms, the world of PDF downloads is just a click away.

FAQs About Calculus For The Practical Man 2nd Edition Books

How do I know which eBook platform is the best for me? Finding the best eBook platform depends on your reading preferences and device compatibility. Research different platforms, read user reviews, and explore their features before making a choice. Are free eBooks of good quality? Yes, many reputable platforms offer high-quality free eBooks, including classics and public domain works. However, make sure to verify the source to ensure the eBook credibility. Can I read eBooks without an eReader? Absolutely! Most eBook platforms offer web-based readers or mobile apps that allow you to read eBooks on your computer, tablet, or smartphone. How do I avoid digital eye strain while reading eBooks? To prevent digital eye strain, take regular breaks, adjust the font size and background color, and ensure proper lighting while reading eBooks. What the advantage of interactive eBooks? Interactive eBooks incorporate multimedia elements, quizzes, and activities, enhancing the reader engagement and providing a more immersive learning experience. Calculus For The Practical Man 2nd Edition is one of the best book in our library for free trial. We provide copy of Calculus For The Practical Man 2nd Edition in digital format, so the resources that you find are reliable. There are also many Ebooks of related with Calculus For The Practical Man 2nd Edition. Where to download Calculus For The Practical Man 2nd Edition online for free? Are you looking for Calculus For The Practical Man 2nd Edition PDF? This is definitely going to save you time and cash in something you should think about.

Find Calculus For The Practical Man 2nd Edition :

assistant budget analyst career examination series

assessment of renewable energy for the uk paperback by hmsos

aspen a complete guide

~~astounding science fiction anthology~~

asia rural cooperatives

asme turbo expo; v.4 ceramics industrial and cogeneration structures and dynamics; proceedings; 2v.

~~asterix la vuelta a la galia spanish edition of asterix and the banquet~~

astrological games people play

aspects of calderdale discovering local history

asteroides isaac asimov biblioteca del universo siglo xxi el sistema solar

asimov&39;s mysteries

aspects of ergodic qualitative and statistical theory of motion

asian security 199798

assessment of behavior problem children a systematic behavioral approach
asm engineered materials reference

Calculus For The Practical Man 2nd Edition :

[it s coming awakening volume 1 shirley priscilla johnson](#) - Jan 27 2022

web the awakening is an atmospheric british horror film starring rebecca hall and dominic west set in post world war i england a paranormal researcher named florence

the awakening rotten tomatoes - Sep 22 2021

the awakening vol 1 ep out now youtube - Aug 02 2022

web the defenders awakening volume 1 cat cervantes dynamics of distribution and diffusion of new technology a contribution to the historical economic and social

it s coming awakening volume 1 shirley priscilla johnson - Dec 26 2021

web 33 minutes ago on the 11 tracks of volume 1 he showcases his lo fi charm from the harsh hi hats and clipped toms of opener marimba to the thumping distortion of

keeper chronicles awakening volume 1 katherine wynter - Nov 24 2021

the awakening vol i paperback june 17 2022 - Nov 05 2022

web listen to the awakening vol 1 on all platforms here [vyd co theawakeningvol1](#)

awakening volume 1 lynette kia amazon com tr kitap - Dec 06 2022

web awakening volume 1 hardcover 17 august 2009 by nick tapalansky author joseph phillip illidge editor alex eckman lawn artist 0 more 4 0 out of 5 stars 4 ratings

dj znobia inventor vol 1 review the guardian - Aug 22 2021

assassin s creed awakening volume 1 - May 11 2023

web aug 25 2009 the new york times bestselling series the first book in l j smith s new york times bestselling vampire diaries series the basis of the hit cw tv show starring

awakening volume 1 hardcover july 29 2009 amazon com - Feb 08 2023

web awakening volume 1 lynette kia amazon com tr kitap Çerez tercihlerinizi seçin Çerez bildirimimizde detaylandırıldığı

üzere satın alım yapmanızı sağlamak alışveriş

awaken vol 1 seven seas entertainment - Jul 01 2022

web awakening volume 1 amber louise feasby build your team s data capabilities with oea skills and training and then i met him online fiction complete phil

awakening volume 1 hardcover 17 august 2009 amazon com au - Sep 03 2022

web awakening 3d solution include three modules scene editor awakening exe scene player windsplayer exe and web3d player supports ie firefox family

the defenders awakening volume 1 cat cervantes - Mar 29 2022

web feb 15 2022 keeper chronicles awakening volume 1 katherine wynter the history of ancient america anterior to the time of columbus proving the identity of the

awakening on steam - May 31 2022

web it s coming awakening volume 1 shirley priscilla johnson ethics is an end to end process it starts with policymaking then decision making then design of software then

awakening volume 1 wood l m amazon com tr - Jan 07 2023

web about assassin s creed awakening vol 1 assassin s creed manga printed in english in the us for the first time assassin s creed awakening is a manga adaptation of the

the awakening tv series 2020 imdb - Apr 29 2022

web it s coming awakening volume 1 shirley priscilla johnson der evangelist johannes wie er spricht denkt und glaubt ein kommentar zum viertene evangelium von adolf

awakening volume 1 by baba hari dass google play - Jul 13 2023

web awakening volume 1 audiobook written by baba hari dass narrated by parvati get instant access to all your favorite books no monthly commitment listen online or offline

assassin s creed awakening vol 1 penguin random house - Oct 04 2022

web series awaken story art by koti saavedra release date 2022 10 11 price 17 99 format oel trim 6 x 9in page count 252 isbn 978 1 63858 406 3 the action

the legend of zelda link s awakening volume 1 - Jun 12 2023

web jul 19 2017 assassin s creed awakening vol 1 kindle comixology by yano takashi author kenzi oiwa illustrator 1 more format kindle edition 93 ratings volume 1 of

the awakening internet archive - Aug 14 2023

web the awakening vampire diaries volume 1 by lisa j smith contents chapter one chapter two chapter three chapter four

chapter five chapter six chapter seven

paramour awakening volume 1 francika bennett - Oct 24 2021

assassin s creed awakening vol 1 kindle comixology - Apr 10 2023

web jul 29 2009 awakening volume 1 hardcover july 29 2009 the once peaceful city of park falls has been tainted by a series of gruesome murders and missing persons

awakening volume 1 amber louise feasby - Feb 25 2022

web by ashley jade 359853 education leaders want to move their organization and culture to be more data driven if she only knew the cahills 1 by lisa jackson innocent heart

the awakening the vampire diaries vol 1 vampire - Mar 09 2023

web awakening volume 1 wood l m amazon com tr Çerez tercihlerinizi seçin alışveriş deneyiminizi geliştirmek hizmetlerimizi sunmak müşterilerin hizmetlerimizi nasıl

[fizika wikipedia elektrizimi i trupave me ferkim](#) - Dec 07 2022

web fizika wikipedia elektrizimi i trupave me ferkim fërkimi wikipedia pristup nastavi jeste aktivno edition pdf sun 15 apr 2018 fizikË 2 orë në javë 74 orë në vit masht rks gov net fizikË klasa e 7 1 cila është vetia fizika per liber mesuesi fizika 8 pdf scribd com heat and mass transfer sachdeva pdf free download slide 1

elektriği kim buldu diyot net nedir - Feb 26 2022

web bugün bu akışın negatif yüklü elektronlardan oluştuğunu söyleyebiliyoruz 1767 de joseph priestley elektrik yüklerinin birbirlerini aralarındaki uzaklığın karesiyle ters orantılı olarak çektiklerini buldu sürtme ile meydana gelen statik yani durgun elektrikten başka akan elektriğin bulunuşu İtalyan bilimadamı

121elektrizimi i trupave dhe shpjegimi i tjellojet e elektrizimit ok - Nov 06 2022

web jun 4 2014 elektrizimi i nje shufre ebaniti me ferkim mjaftë trupa si qelebari ebaniti qelqi etj mbasi ferkohen fitojne vitin per te terhequr trupa te lehte kjo dukur quhet elektrizim

[fizika wikipedia elektrizimi i trupave me ferkim](#) - Sep 04 2022

web fizika wikipedia elektrizimi i trupave me ferkim downloaded from reports budgetbakers com by guest audrina li polarized light in liquid crystals and polymers scarecrow press a revision of the defining book covering the physics and classical mathematics necessary to understand electromagnetic fields in materials and

[fizika wikipedia elektrizimi i trupave me ferkim pdf 2023](#) - Aug 03 2022

web fizika wikipedia elektrizimi i trupave me ferkim pdf introduction fizika wikipedia elektrizimi i trupave me ferkim pdf 2023 the feynman lectures on physics mainly electromagnetism and matter

fizika wikipedia elektrizimi i trupave me ferkim pdf - May 12 2023

web 2 fizika wikipedia elektrizimi i trupave me ferkim 2023 01 01 fizika wikipedia elektrizimi i trupave me ferkim downloaded from doublespacio uchile cl by guest tristen malaki dreams of a final theory univ of california press this is a re issued and affordable printing of the widely used undergraduate electrodynamics textbook

fizika wikipedia elektrizimi i trupave me ferkim - Jan 28 2022

web fizika wikipedia elektrizimi i trupave me ferkim pdf law of the spirit world khorshed bhavnagri exped esy es ndodhin më shpejt kur te yumpu com concise chemistry of class 9 endes esy es klb mathematics form 4 synta esy es 121elektrizimi i trupave dhe shpjegimi i tjellojet e fërkimi wikipedia fizika wikipedia elektrizimi i

fizika wikipedia elektrizimi i trupave me ferkim - Oct 05 2022

web fizika wikipedia elektrizimi i trupave me ferkim fizika wikipedia elektrizimi i trupave me ferkim ndodhin më shpejt kur te yumpu com the dark encounter with the demon king vol 1 dominated by yle movers 8 listening audio nodel esy es 121elektrizimi i trupave dhe shpjegimi i tjellojet e concise chemistry of class 9 endes

fizika wikipedia elektrizimi i trupave me ferkim secure4 khronos - Feb 09 2023

web fizika wikipedia elektrizimi i trupave me ferkim free download here pdfsdocuments2 com fizika wikipedia elektrizimi i trupave me ferkim pdf liber mesuesi fizika 8 pdf scribd com ndodhin

fizika wikipedia elektrizimi i trupave me ferkim pdf - Jan 08 2023

web fizika wikipedia elektrizimi i trupave me ferkim 3 3 magnet structures such as bearings and couplings which are hardware mechanisms used to fashion a temporary connection between two wires this book is written for use as a text or reference by researchers engineers professors and students engaged in the research development study and

fizika wikipedia elektrizimi i trupave me ferkim - Mar 10 2023

web fizika wikipedia elektrizimi i trupave me ferkim fizika wikipedia elektrizimi i trupave me ferkim slide 1 fizikë 2 orë në javë 74 orë në vit masht rks gov net elektriciteti wikipedia download books fizika wikipedia elektrizimi i trupave me ferkim download answers to lazy editor april 2014 loseem esy es march 2nd 2018 download

fizika wikipedia elektrizimi i trupave me ferkim - Dec 27 2021

web fizika wikipedia elektrizimi i trupave me ferkim fizika wikipedia elektrizimi i trupave me ferkim free download here pdfsdocuments2 com ndodhin më shpejt kur te yumpu com slide 1 pristup nastavi jeste aktivno edition pdf sun 15 apr 2018 fizika wikipedia elektrizimi i trupave me ferkim introduction to statistics ronald walpole penni esy es

kısaca elektrik nedir mühendis beyinler - Apr 30 2022

web aug 11 2019 kısaca elektrik nedir elektrik bir enerji türüdür ve manyetizma ile birlikte fiziksel dünyanın dört temel kuvvetinden birini oluşturur elektrik her atom çekirdeğinin yörüngesinde dönen ve elektron adı verilen atom altı

parçacıkların hareketiyle üretilir ahşap ve plastik gibi birçok maddede elektronlar atomlarına

fizika wikipedia elektrizimi i trupave me ferkim - Jun 01 2022

web fizika wikipedia elektrizimi i trupave me ferkim 121elektrizimi i trupave dhe shpjegimi i tjellojet e elektrizimit ok 1 elektrizimi i trupave 2 elektrizimi i nje shufre ebaniti me ferkim mjafta trupa si qelebari ebaniti qelqi etj mbasi ferkohen fitojne vitin per te terhequr trupa te

fizika wikipedia elektrizimi i trupave me ferkim - Jul 02 2022

web elektrizimin me frkim dhe bashkveprimin e trupave t ngarkuar fusha elektrike ndikim elektrik elektrizimi me ndikim mbartsit e lir t ngarkess shkarkesa elektrike jonizimi i ajrit rrufeja emisioni termo elektronik t njohin mnyrat si fizika ka ndikuar n natyrn e punve t njerzve dhe t galileo galilei guxoi

fizika wikipedia elektrizimi i trupave me ferkim pdf - Jun 13 2023

web fizika wikipedia elektrizimi i trupave me ferkim downloaded from app oaklandlibrary org by guest laney aguirre philosophy of the mechanics of nature and the source and modes of action of natural motive

elektrizimi i trupave dhe shpjegimi i llojeve të elektrizimit - Aug 15 2023

web elektrizimi i trupave dhe shpjegimi i llojeve të elektrizimit në këtë material të përgatitur nga viktor mesutaj shpjegohet elektrizimi dhe llojet e tij elektrizimi i një shufre ebaniti me fërkim elektrizimi i një shufre qelqi me fërkim ç është elektroskopi përbërja e atomit

fizika wikipedia elektrizimi i trupave me ferkim secure4 khronos - Apr 11 2023

web jun 15 2023 we disburse for fizika wikipedia elektrizimi i trupave me ferkim and various books selections from fictions to scientific studyh in any way it is your certainly own age gracefully to act out evaluating practice

elektrik vikipedi - Jul 14 2023

web pek çok yıldırım bir şehrin üzerine düşüyor elektrik doğada yıldırım şeklinde de bulunabilir elektrik elektrik yüklerinin akışına dayanan bir dizi fiziksel olaya verilen isimdir elektrik sözcüğü türkçeye fransızcadan geçmiştir elektriğin türkçe eş anlamlısı çınğı sözcüğüdür ayrıca anadolu ağızlarında elektrik anlamında yaldrayık

fizika wikipedia elektrizimi i trupave me ferkim trade - Mar 30 2022

web apr 29 2023 fizika wikipedia elektrizimi i elektrizimi i trupave me fërkim dhe me ndikim influencë si të matet elektriciteti elektroskopi dhe elektrometri tërheqja dhe refuzimi elektrik

clinical chemistry mcqs doc docdroid - Sep 03 2022

web jan 7 2022 understand the concept of usmle clinical mcqs biochemistry with neet pg live course curated by shanmugapriya chandrasekaran on unacademy

clinical biochemistry exam sample studocu - Jul 13 2023

web a diagnosis of tumour induced osteomalacia was suspected which laboratory test is most likely to confirm the diagnosis a
alp isoenzymes b 1 25 dihydroxyvitamin d c fgf

clinical biochemistry prometric exam practice mcqs online - Apr 29 2022

web jun 8 2023 declaration diagnostic clinical biochemistry mcq as well as evaluation them wherever you are now lecture
notes clinical biochemistry geoffrey beckett 2010 02

diagnostic clinical biochemistry mcq uniport edu ng - Nov 24 2021

blood mcq clinical biochemistry practicetest series - Oct 04 2022

web clinical biochemistry multiple choice questions mcq s package for dha moh dhcc haad sle omsb qchp nhra and schfs test
in gulf countries updated questions

0808 biochemistry and clinical pathology mcq with answers - Oct 24 2021

diagnostic clinical biochemistry mcq 2023 - Feb 25 2022

web the mcq chemical signalling is the important route of pdf biochemistry online practice tests app download free with
communication phosphorylation glycolysis and

biochemistry online practice tests biochemistry mcq pdf - Sep 22 2021

clinical biochem exam prep clinical biochemistry final exam - May 11 2023

web mcqs in clinical biochemistry free download as pdf file pdf text file txt or read online for free this is a practice mcq series
in biochemistry available free to download

pdf mcq in clinical biochemistry researchgate - Dec 06 2022

web biochemistry mcq multiple choice questions our 1000 mcqs focus on all topics of the biochemistry subject covering 100
topics this will help you to prepare for exams

mcqs in clinical biochemistry pdf biosynthesis - Apr 10 2023

web the following are a selection of clinical biochemistry part 1 exam questions retired from the college question bank in
december 2020 question 1 serum from a man who has

frcpath part 1 clinical biochemistry mcqs past - Aug 14 2023

web the royal college of pathologists 6 alie street london e1 8qt map and directions tel 44 0 20 7451 6700

biochemistry multiple choice questions docsity - Aug 02 2022

web diagnostic clinical biochemistry mcq clinical chemistry self assessment nov 11 2022 mrcog part 1 550 sbas and mcqs nov

18 2020 reflecting the new exam format

the following are a selection of clinical biochemistry part 1 exam - Jun 12 2023

web clinical biochemistry final exam preparation 60 mcqs 90minutes 13 th may question 1 topics covered in week one

interpretation of laboratory results 5 7 already on class

mcq in clinical biochemistry nova science publishers - Nov 05 2022

web clinical biochemistry mcqs 0 69 49 clinical biochemistry mcqs prometric exam questions mcqs to prepare for dha exam

dubai dhcc exam dubai haad exam

biochemistry mcq multiple choice questions sanfoundry - Jul 01 2022

web clinical biochemistry your search for the authentic clinical biochemistry mcq study material for the gulf s medical

council exam ends here subscribe now and get access to

400 biochemistry mcqs a self evaluation guide for - Mar 09 2023

web multiple choice question of biochemistry is aligned with the medical school course requirement and usmle nbme exams

mcq on carbohydrate chemistry and

rcpath - Feb 08 2023

web clinical chemistry mcqs a carbohydrates 1 hypoglycemia comes about for various reasons and clinical symptoms usually occur at blood glucose

diagnostic clinical biochemistry mcq - Dec 26 2021

clinical biochemistry mcqs prometric exam questions - May 31 2022

web diagnostic clinical biochemistry mcq right here we have countless book diagnostic clinical biochemistry mcq and

collections to check out we additionally come up with

multiple choice question in biochemistry for medical exams - Jan 07 2023

web sep 21 2018 download exams biochemistry multiple choice questions king khaled university multiple choice questions

in clinical biochemistry

usmle clinical mcqs biochemistry unacademy - Mar 29 2022

web oct 30 2021 3951 hello d pharmacy students in this article we have provided 0808 biochemistry and clinical pathology

mcq with answers this d pharma mcq of

clinical biochemistry mcq questions prometric study material - Jan 27 2022