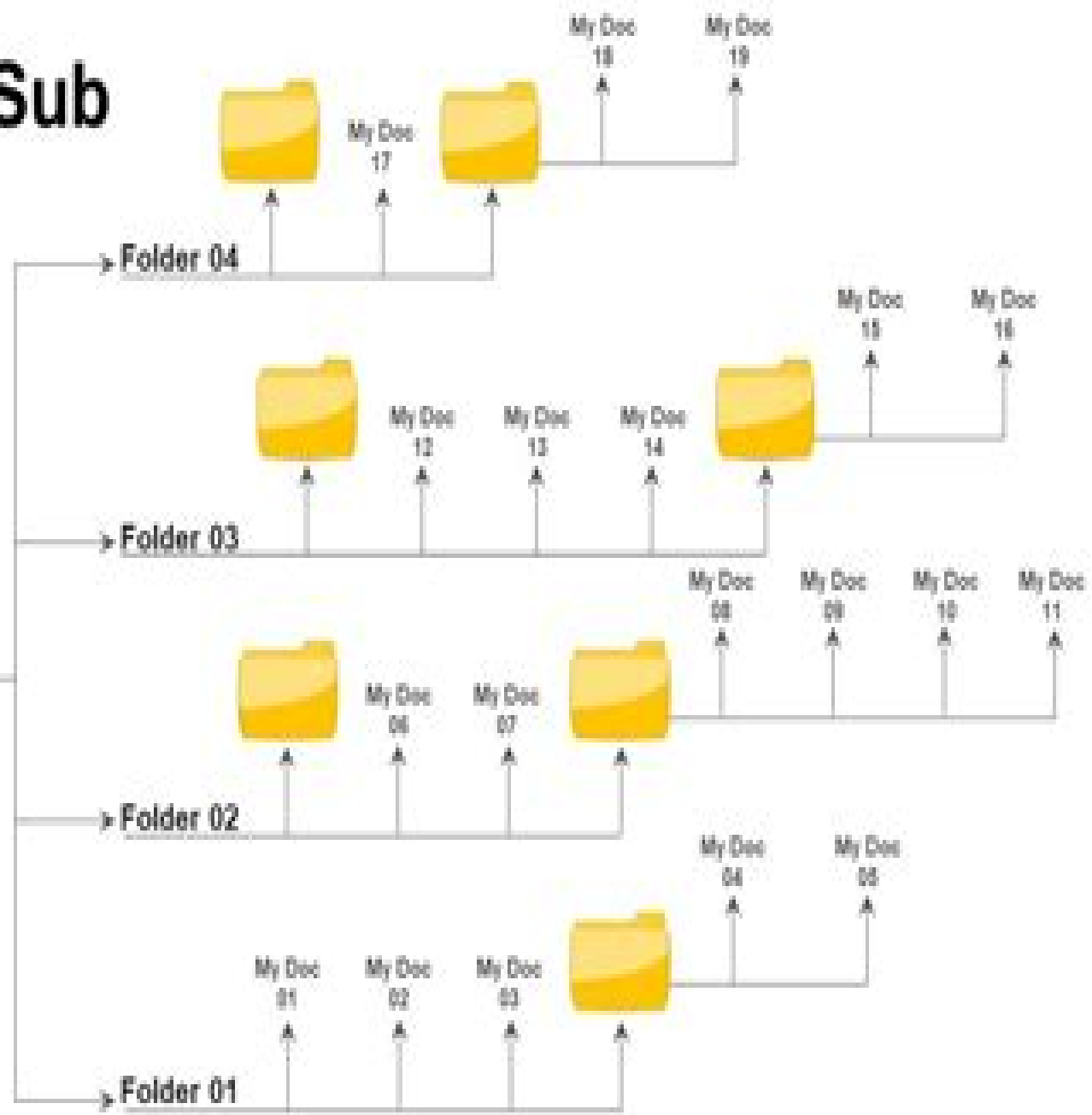


File Structure Showing Data Sub Folders



This slide is 100% editable. Adapt it to your needs and capture your audience's attention.

Data Management And File Structures

Clemens Wendtner



Data Management And File Structures:

This book delves into Data Management And File Structures. Data Management And File Structures is an essential topic that needs to be grasped by everyone, from students and scholars to the general public. This book will furnish comprehensive and in-depth insights into Data Management And File Structures, encompassing both the fundamentals and more intricate discussions.

1. The book is structured into several chapters, namely:
 - Chapter 1: Introduction to Data Management And File Structures
 - Chapter 2: Essential Elements of Data Management And File Structures
 - Chapter 3: Data Management And File Structures in Everyday Life
 - Chapter 4: Data Management And File Structures in Specific Contexts
 - Chapter 5: Conclusion
 2. In chapter 1, this book will provide an overview of Data Management And File Structures. The first chapter will explore what Data Management And File Structures is, why Data Management And File Structures is vital, and how to effectively learn about Data Management And File Structures.
 3. In chapter 2, the author will delve into the foundational concepts of Data Management And File Structures. The second chapter will elucidate the essential principles that must be understood to grasp Data Management And File Structures in its entirety.
 4. In chapter 3, the author will examine the practical applications of Data Management And File Structures in daily life. This chapter will showcase real-world examples of how Data Management And File Structures can be effectively utilized in everyday scenarios.
 5. In chapter 4, this book will scrutinize the relevance of Data Management And File Structures in specific contexts. The fourth chapter will explore how Data Management And File Structures is applied in specialized fields, such as education, business, and technology.
 6. In chapter 5, the author will draw a conclusion about Data Management And File Structures. The final chapter will summarize the key points that have been discussed throughout the book.
- This book is crafted in an easy-to-understand language and is complemented by engaging illustrations. It is highly recommended for anyone seeking to gain a comprehensive understanding of Data Management And File Structures.

<https://gandalf.roeckerfam.com/public/scholarship/HomePages/dont%20stop%20now%20audio%20cassette.pdf>

Table of Contents Data Management And File Structures

1. Understanding the eBook Data Management And File Structures
 - The Rise of Digital Reading Data Management And File Structures
 - Advantages of eBooks Over Traditional Books
2. Identifying Data Management And File Structures
 - Exploring Different Genres
 - Considering Fiction vs. Non-Fiction
 - Determining Your Reading Goals
3. Choosing the Right eBook Platform
 - Popular eBook Platforms
 - Features to Look for in an Data Management And File Structures
 - User-Friendly Interface
4. Exploring eBook Recommendations from Data Management And File Structures
 - Personalized Recommendations
 - Data Management And File Structures User Reviews and Ratings
 - Data Management And File Structures and Bestseller Lists
5. Accessing Data Management And File Structures Free and Paid eBooks
 - Data Management And File Structures Public Domain eBooks
 - Data Management And File Structures eBook Subscription Services
 - Data Management And File Structures Budget-Friendly Options
6. Navigating Data Management And File Structures eBook Formats
 - ePub, PDF, MOBI, and More
 - Data Management And File Structures Compatibility with Devices
 - Data Management And File Structures Enhanced eBook Features
7. Enhancing Your Reading Experience
 - Adjustable Fonts and Text Sizes of Data Management And File Structures
 - Highlighting and Note-Taking Data Management And File Structures
 - Interactive Elements Data Management And File Structures

8. Staying Engaged with Data Management And File Structures
 - Joining Online Reading Communities
 - Participating in Virtual Book Clubs
 - Following Authors and Publishers Data Management And File Structures
9. Balancing eBooks and Physical Books Data Management And File Structures
 - Benefits of a Digital Library
 - Creating a Diverse Reading Collection Data Management And File Structures
10. Overcoming Reading Challenges
 - Dealing with Digital Eye Strain
 - Minimizing Distractions
 - Managing Screen Time
11. Cultivating a Reading Routine Data Management And File Structures
 - Setting Reading Goals Data Management And File Structures
 - Carving Out Dedicated Reading Time
12. Sourcing Reliable Information of Data Management And File Structures
 - Fact-Checking eBook Content of Data Management And File Structures
 - Distinguishing Credible Sources
13. Promoting Lifelong Learning
 - Utilizing eBooks for Skill Development
 - Exploring Educational eBooks
14. Embracing eBook Trends
 - Integration of Multimedia Elements
 - Interactive and Gamified eBooks

Data Management And File Structures Introduction

In today's digital age, the availability of Data Management And File Structures books and manuals for download has revolutionized the way we access information. Gone are the days of physically flipping through pages and carrying heavy textbooks or manuals. With just a few clicks, we can now access a wealth of knowledge from the comfort of our own homes or on the go. This article will explore the advantages of Data Management And File Structures books and manuals for download, along with some popular platforms that offer these resources. One of the significant advantages of Data Management And

File Structures books and manuals for download is the cost-saving aspect. Traditional books and manuals can be costly, especially if you need to purchase several of them for educational or professional purposes. By accessing Data Management And File Structures versions, you eliminate the need to spend money on physical copies. This not only saves you money but also reduces the environmental impact associated with book production and transportation. Furthermore, Data Management And File Structures books and manuals for download are incredibly convenient. With just a computer or smartphone and an internet connection, you can access a vast library of resources on any subject imaginable. Whether you're a student looking for textbooks, a professional seeking industry-specific manuals, or someone interested in self-improvement, these digital resources provide an efficient and accessible means of acquiring knowledge. Moreover, PDF books and manuals offer a range of benefits compared to other digital formats. PDF files are designed to retain their formatting regardless of the device used to open them. This ensures that the content appears exactly as intended by the author, with no loss of formatting or missing graphics. Additionally, PDF files can be easily annotated, bookmarked, and searched for specific terms, making them highly practical for studying or referencing. When it comes to accessing Data Management And File Structures books and manuals, several platforms offer an extensive collection of resources. One such platform is Project Gutenberg, a nonprofit organization that provides over 60,000 free eBooks. These books are primarily in the public domain, meaning they can be freely distributed and downloaded. Project Gutenberg offers a wide range of classic literature, making it an excellent resource for literature enthusiasts. Another popular platform for Data Management And File Structures books and manuals is Open Library. Open Library is an initiative of the Internet Archive, a non-profit organization dedicated to digitizing cultural artifacts and making them accessible to the public. Open Library hosts millions of books, including both public domain works and contemporary titles. It also allows users to borrow digital copies of certain books for a limited period, similar to a library lending system. Additionally, many universities and educational institutions have their own digital libraries that provide free access to PDF books and manuals. These libraries often offer academic texts, research papers, and technical manuals, making them invaluable resources for students and researchers. Some notable examples include MIT OpenCourseWare, which offers free access to course materials from the Massachusetts Institute of Technology, and the Digital Public Library of America, which provides a vast collection of digitized books and historical documents. In conclusion, Data Management And File Structures books and manuals for download have transformed the way we access information. They provide a cost-effective and convenient means of acquiring knowledge, offering the ability to access a vast library of resources at our fingertips. With platforms like Project Gutenberg, Open Library, and various digital libraries offered by educational institutions, we have access to an ever-expanding collection of books and manuals. Whether for educational, professional, or personal purposes, these digital resources serve as valuable tools for continuous learning and self-improvement. So why not take advantage of the vast world of Data Management And File Structures books and manuals for download and embark on

your journey of knowledge?

FAQs About Data Management And File Structures Books

What is a Data Management And File Structures PDF? A PDF (Portable Document Format) is a file format developed by Adobe that preserves the layout and formatting of a document, regardless of the software, hardware, or operating system used to view or print it. **How do I create a Data Management And File Structures PDF?** There are several ways to create a PDF: Use software like Adobe Acrobat, Microsoft Word, or Google Docs, which often have built-in PDF creation tools. Print to PDF: Many applications and operating systems have a "Print to PDF" option that allows you to save a document as a PDF file instead of printing it on paper. Online converters: There are various online tools that can convert different file types to PDF. **How do I edit a Data Management And File Structures PDF?** Editing a PDF can be done with software like Adobe Acrobat, which allows direct editing of text, images, and other elements within the PDF. Some free tools, like PDFescape or Smallpdf, also offer basic editing capabilities. **How do I convert a Data Management And File Structures PDF to another file format?** There are multiple ways to convert a PDF to another format: Use online converters like Smallpdf, Zamzar, or Adobe Acrobats export feature to convert PDFs to formats like Word, Excel, JPEG, etc. Software like Adobe Acrobat, Microsoft Word, or other PDF editors may have options to export or save PDFs in different formats. **How do I password-protect a Data Management And File Structures PDF?** Most PDF editing software allows you to add password protection. In Adobe Acrobat, for instance, you can go to "File" -> "Properties" -> "Security" to set a password to restrict access or editing capabilities. Are there any free alternatives to Adobe Acrobat for working with PDFs? Yes, there are many free alternatives for working with PDFs, such as: LibreOffice: Offers PDF editing features. PDFsam: Allows splitting, merging, and editing PDFs. Foxit Reader: Provides basic PDF viewing and editing capabilities. How do I compress a PDF file? You can use online tools like Smallpdf, ILovePDF, or desktop software like Adobe Acrobat to compress PDF files without significant quality loss. Compression reduces the file size, making it easier to share and download. Can I fill out forms in a PDF file? Yes, most PDF viewers/editors like Adobe Acrobat, Preview (on Mac), or various online tools allow you to fill out forms in PDF files by selecting text fields and entering information. Are there any restrictions when working with PDFs? Some PDFs might have restrictions set by their creator, such as password protection, editing restrictions, or print restrictions. Breaking these restrictions might require specific software or tools, which may or may not be legal depending on the circumstances and local laws.

Find Data Management And File Structures :

dont stop now audio cassette

doobie brothers listen to the music

double dog dare

doubl dutch readgde 10pk

doom of odin tales of the norse gods

doodled asterisk

double zero and soviet military strategy implications for western security.

doubtlet affair

dow jones-irwin guide to fine gems and jewelry

double take the story of the elgin and winter garden theatres

dormez bien mme ming

dot and the line a romance in lower mathemetics

dorothy day a biography.

dostoevskys grave new and selected poems

downtown berlin building the metropolitan mix

Data Management And File Structures :

porsche 956 and 962 owners workshop manual 1982 - Feb 01 2022

be the first to like this show more 2 views 2 views

porsche 956 and 962 owners workshop manual 1982 - Nov 10 2022

feb 14 2018 the porsche 956 and its mildly reworked sister the porsche 962 defined sports car racing for more than a decade these astounding 240mph projectiles won an astounding

readpdfporsche 956 962 owners workshop manual 1982 - Dec 31 2021

jul 5 2021 porsche 956 962 owners workshop manual 1982 onwards all models haynes manuals the first thing you should do with any book is study your topic even fiction

read pdf porsche 956 9 yumpu - Nov 29 2021

porsche 956 and 962 owners workshop manual 1982 - Jul 06 2022

with the 956 and 962 porsche won five consecutive 1987 world endurance championship titles this book provides new insight into the cars looking at a range of restored examples today

porsche 956 and 962 owners workshop manual - Jul 18 2023

buy porsche 956 and 962 owners workshop manual 1982 onwards all models haynes manuals haynes owners workshop manual by nick garton isbn 9780857337962

porsche 956 962 owners workshop manual 1982 onwards - Mar 02 2022

may 7 2019 porsche 956 and 962 owners workshop manual 1982 onwards all models haynes manuals review

porsche 956 962 owners workshop manual stuttcars - Aug 19 2023

sep 27 2019 the porsche 956 962 owners workshop manual is another title in haynes aspirational owners workshop manual series and contains valuable insights from owners

porsche 956 962 owners workshop manual 1982 onwards - Apr 15 2023

find many great new used options and get the best deals for porsche 956 962 owners workshop manual 1982 onwards all models by nick garton hardcover 2018 at the best

porsche 956 962 owners workshop manual 1982 onwards - Sep 20 2023

apr 10 2018 porsche 956 962 owners workshop manual 1982 onwards all models haynes manuals hardcover april 10 2018 by ian wagstaff author 87 ratings part of

porsche 956 and 962 owners workshop manual - Feb 13 2023

porsche 956 and 962 owners workshop manual 1982 onwards all models haynes manuals nick garton amazon com tr kitap

porsche 956 962 by nick garton book scalemates - Aug 07 2022

buy porsche 956 and 962 owners workshop manual 1982 onwards all models by garton nick online on amazon ae at best prices fast and free shipping free returns cash on delivery

porsche 956 and 962 owners workshop manual 1982 - Jun 05 2022

porsche 956 and 962 1982 onwards all models owners workshop manual a book by nick garton hardcover published in 2018

read pdf porsche 956 962 owners workshop - May 16 2023

jul 5 2021 read pdf porsche 956 962 owners workshop manual 1982 onwards all models haynes manuals free copy link to download

porsche 956 and 962 1982 onwards all models owners - May 04 2022

may 6 2019 scarica online porsche 956 962 owners workshop manual 1982 onwards all models per kindle

porsche 956 and 962 owners workshop manual 1982 - Apr 03 2022

porsche 956 962 owners workshop manual 1982 onwards all models haynes manuals wagstaff ian amazon in books

[porsche 956 962 owners workshop manual 1982 onwards](#) - Oct 09 2022

der neueste band in der vom haynes verlag herausgegebenen reihe der owners workshop manuals über berühmte rennsportwagen befasst sich mit dem porsche 956 962 es ist

porsche 956 962 owners workshop manual google books - Mar 14 2023

porsche 956 962 owner s workshop manual is the latest addition to the classic racing car manual series taking the series beyond ten titles and complementing ferrari 250 gto ford

porsche 956 and 962 owners workshop manual 1982 - Jan 12 2023

apr 10 2018 [porsche 956 962 owners workshop manual 1982 onwards all models wagstaff ian 9780857337962 books](#) amazon ca

[porsche 956 962 owners workshop manual 1982 onwards](#) - Dec 11 2022

buy porsche 956 and 962 owners workshop manual 1982 onwards all models by nick garton online at alibris we have new and used copies available in 1 editions starting at

porsche 956 962 1982 onwards all models worldcat org - Jun 17 2023

porsche 956 962 1982 onwards all models author nick garton author summary porsche 956 962 owner s workshop manual is the latest addition to the classic racing

[porsche 956 and 962 1982 onwards all models owners](#) - Sep 08 2022

porsche 956 962 1982 onwards all models author nick garton series owners workshop manual isbn 10 0857337963 isbn 13 9780857337962 format hardcover pages 172

europa dovemiportalvento com - Sep 23 2021

dove mi porta il vento on apple podcasts - Dec 07 2022

web mi presento sono l amministratore del blog dove mi porta il vento

il vento ci porterà via 1999 movieplayer it - Feb 26 2022

web cast del film il vento ci porterà via 1999 il vento ci porterà via è un film di abbas kiarostami con behzad dourani noghre asadi roushan karam elmi bahman ghobadi

viaggi dove mi porta il vento - Dec 27 2021

web dove mi porta il vento è un blog di viaggi in cui trovare spunti per vivere bellissime esperienze

dove mi porterà il vento overdrive - Sep 04 2022

web cinemambiente 2022di alessandro ghiggi italy 2021 20

mi presento dove mi porta il vento - Nov 06 2022

web sep 8 2022 vado dove mi porta il vento 40 episodes subscribe by tepare citando la fonte mi pare opportuno condividere audio progetto cultura per ipovedenti

amazon it vento flipper murakami haruki pastore - Mar 30 2022

web oct 1 1999 date di uscita e riprese il vento ci porterà via è arrivato per la prima volta nelle sale italiane il 01 ottobre 1999 la data di uscita originale è 24 novembre 1999

dove mi porta il vento piano e voce maxmex 2023 - Aug 15 2023

web sep 10 2023 performance live piano e voce del brano dove mi porta il vento tratto dalla raccolta l airone maxmex 1998 testo musica mass

vado dove mi porta il vento podash - Oct 05 2022

web mar 31 2017 questo libro descrive il percorso esistenziale di una donna simile a quello di molte donne che vivono intensamente la vita affrontando delusioni d amore tradimenti

viaggi dove mi porta il vento - Oct 25 2021

web dove mi porta il vento our travel blog home

viaggi dove mi porta il vento - Nov 25 2021

web dove mi porta il vento è un blog di viaggi in cui trovare spunti per vivere bellissime esperienze

il vento ci porterà via film 1999 mymovies it - Apr 30 2022

web recensito in italia il 12 maggio 2021 acquisto verificato vento e flipper di haruki murakami è un libro che contiene due brevi romanzi ascolta la canzone del vento e

viaggi dove mi porta il vento - Jun 13 2023

web dove mi porta il vento è un blog di viaggi in cui trovare spunti per vivere bellissime esperienze

il vento ci porterà via wikipedia - Jun 01 2022

web una lunga striscia di terra battuta sale e scende bianca e netta per le linee curve d una terra che è il vero grande protagonista del prologo di il vento ci porterà via le vent

il vento ci porterà via 1999 cast completo movieplayer it - Jan 28 2022

web dove mi porta il vento è un blog di viaggi in cui trovare spunti per vivere bellissime esperienze

dove mi porta il vento facebook - Jul 02 2022

web il vento ci porterà via bad ma ra khahad bord è un film del 1999 diretto da abbas kiarostami trama behzad keyvan ali e jahan si dirigono a bordo di una jeep da

vado dove mi porta il vento podcast on amazon music - Mar 10 2023

web aug 2 2023 sono un camminatore solitario amante della fotografia natura viaggi archeologia storia delle nostre origini

da tempo alla ricerca di me stesso condivido

vado dove mi porta il vento getpodcast - Feb 09 2023

web ascolta vado dove mi porta il vento i podcast gratis su getpodcast tutti i podcast a portata di mano scopri subito online

viaggi dove mi porta il vento - May 12 2023

web dove mi porta il vento è un blog di viaggi in cui trovare spunti per vivere bellissime esperienze

dove mi porta il vento a podcast on spotify for - Jan 08 2023

web jun 20 2021 dove mi porta il vento è una podcast dedicata a chiacchierare della vita mi chiamo matilda e sono italiana

ma vivo attualmente in australia voglio condividere le

dove ti porta il vento trailer youtube - Aug 03 2022

web dove mi porta il vento 52 likes hei ciao a tutti questa è la pagina fb del mio blog di viaggi dovemiportailvento com se siete alla

viaggi dove mi porta il vento - Jul 14 2023

web vi racconterò la nostra esperienza nel parco nazionale delle cinque terre e aggiungerò qualche consiglio per godersi al meglio l'esperienza

viaggi dove mi porta il vento - Apr 11 2023

web in questa pagina troverai gli articoli su tutti i miei viaggi per ispirarti per una tua futura avventura

reihe liederbuch grundschule schott music - Jul 13 2023

web liederbuch grundschule mit über 250 liedern aus allen bereichen setzt das liederbuch grundschule neue maßstäbe für den unterricht in der grundschule ein stattliches

liederbücher grundschule pädagogik schott music - Feb 08 2023

web beschreibung umfassend mit über 250 liedern aus allen bereichen setzt dieses buch neue maßstäbe für den unterricht in der grundschule ein stattliches audio paket mit

mein liederbuch schulbuch cornelsen - Oct 24 2021

liederbuch musikbuch kinderlieder online kaufen mytoys - Nov 24 2021

web mein liederbuch präsentiert sich mit 250 liedern in 15 kapiteln einem humorvollen gesamtbild und besonderen schwerpunkten wie lieder rund um die schuleinführung

liederbuch grundschule lehrer cd box amazon de - Sep 03 2022

web ob liederbücher für die schule für hochbetagte mit demenz zur weihnachtszeit oder unsere feten und schlagerbücher für geselliges beisammensein hier findet jeder was

liederbuch grundschule hardcover reihe liederbuch - May 11 2023

web liederbuch grundschule hardcover bestellnummer ed 21864 20 ausgabe liederbuch reihe liederbuch grundschule 24 50 inkl mwst zzgl versandkosten

liederbuch grundschule schott music - Apr 10 2023

web liederbuch grundschule hardcover liederbuch finden sie alle bücher von frigga schnelle bei der büchersuchmaschine eurobuch com können sie antiquarische und

liederbücher bücher schott music - Aug 02 2022

web das liederbuch für die grundschule enthält moderne lieder und klassiker für klasse 1 bis 4 Über 100 lieder wecken und fördern bei schülerinnen und schülern die freude am

liederbuch grundschule broschiert liederbuch musiknoten - May 31 2022

web liederbuch grundschule hardcover liederbuch frigga schnelle herausgeber notenblätter 288 seiten 2014 1 auflage schott music 978 3 7957 4863 0 isbn 24

liederbuch grundschule hardcover liederbuch - Oct 04 2022

web audio kassette 59 67 2 gebraucht ab 59 67 19 neu ab 57 28 umfassend mit über 250 liedern aus allen bereichen setzt dieses buch neue maßstäbe für den unterricht in

9783795748630 liederbuch grundschule hardcover - Mar 09 2023

web 113 alte und neue kinderlieder für die kita und zuhause leicht arrangiert für gesang und gitarre

liederbuch grundschule hardcover liederbuch - Sep 15 2023

web liederbuch grundschule hardcover liederbuch schnelle frigga amazon com tr kitap

liederbuch grundschule bayern schott music com - Mar 29 2022

web liederbuch grundschule bücher gebraucht antiquarisch neu kaufen preisvergleich käuferschutz wir bücher bücher hörbücher filme musik liederbuch

liederbuch grundschule buch gebraucht antiquarisch neu - Feb 25 2022

web liederbuch grundschule hardcover songbücher verlag schott musik bestellnummer ed21864 20 schnelle lieferung jetzt bestellen

mein liederbuch liederbuch für die grundschule hardcover - Dec 26 2021

web ratgeber für eltern 597 kinderzimmer wohnen 23110 schule lernen 30880 sport garten 17592 liederbuch musikbuch kinderlieder große auswahl online kaufen

schul liederbücher für die grundschule - Jun 12 2023

web hardcover reihe liederbuch grundschule von frigga schnelle martin bernhard verlag schott music liederbuch 1 auflage

erschienen 2014 288 s hardcover

liederbuch grundschule hardcover noten online kaufen - Jan 27 2022

web mein liederbuch liederbuch für die grundschule isbn 10 3061501126 isbn 13 9783061501129 volk u wissen vlg gmbh
2002 hardcover

suchergebnis auf amazon de für liederbuch schule - Nov 05 2022

web liederbuch grundschule hardcover liederbuch on amazon com au free shipping on eligible orders liederbuch grundschule
hardcover liederbuch

rondo das liederbuch für die grundschule amazon de - Jul 01 2022

web liederbuch grundschule broschiert liederbuch schnelle frigga bernhard martin amazon de bücher

liederbuch grundschule hardcover liederbuch musiknoten - Aug 14 2023

web liederbuch grundschule hardcover liederbuch musiknoten 31 märz 2014 von frigga schnelle herausgeber martin
bernhard illustrator 4 7 19 sternebewertungen

liederbuch grundschule lehrerband schott music - Dec 06 2022

web liederbuch für die schule liederbuch schulbuch liederbuch für die schule für das 5 bis 13 schuljahr Östliche
bundesländer und berlin bisherige ausgabe von manfred

liederbuch grundschule von frigga schnelle lehmanns de - Apr 29 2022

web beschreibung umfassend mit über 250 liedern aus allen bereichen setzt dieses buch neue maßstäbe für den unterricht in
der grundschule ein stattliches audio paket mit

liederbuch grundschule schott music - Jan 07 2023

web liederbuch grundschule lehrerband handreichungen und arbeitsblätter bestellnummer ed 21898d ausgabe lehrerband
pdf cd reihe liederbuch grundschule 28 50