

GROUND-FAULT PROTECTION FOR SOLAR APPLICATIONS

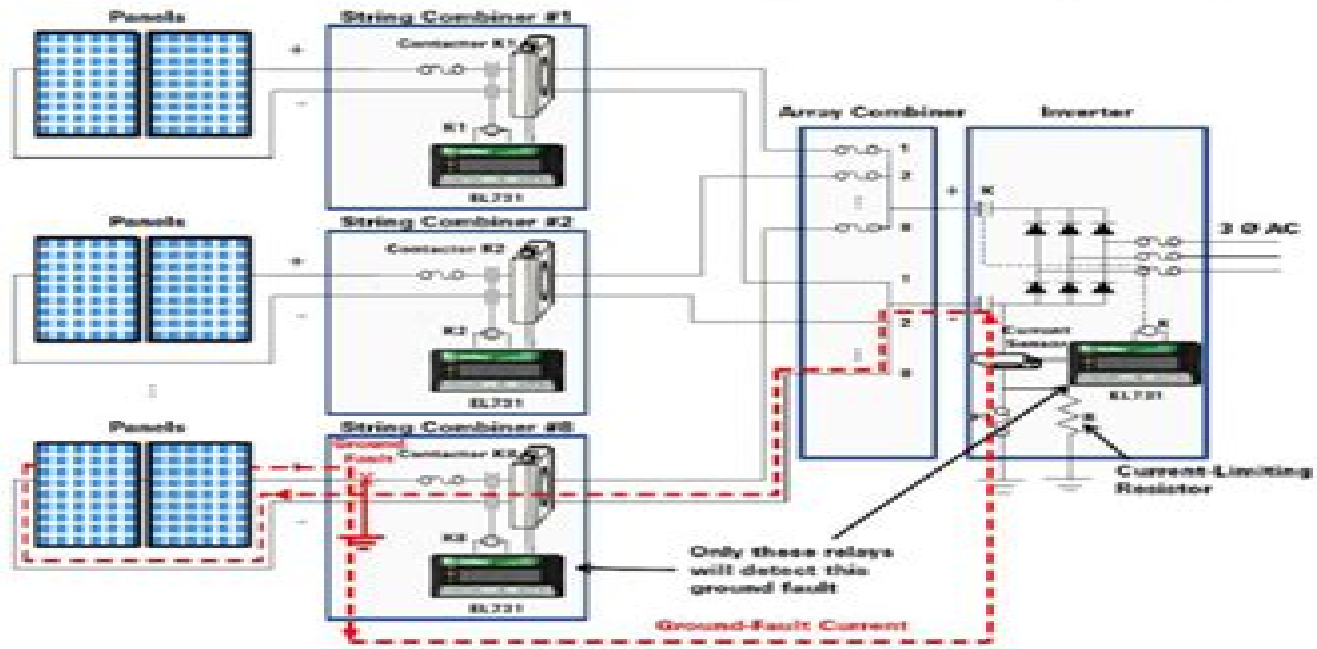


Figure 8 Grounded Bus with Coordinated Ground-Fault Protection

Dsgn Analys Fault Tolern

George Frederick Buxton



Dsgn Analys Fault Tolern:

Design And Analysis Of Reliable And Fault-tolerant Computer Systems Mostafa I Abd-el-barr,2006-12-15 Covering both the theoretical and practical aspects of fault tolerant mobile systems and fault tolerance and analysis this book tackles the current issues of reliability based optimization of computer networks fault tolerant mobile systems and fault tolerance and reliability of high speed and hierarchical networks The book is divided into six parts to facilitate coverage of the material by course instructors and computer systems professionals The sequence of chapters in each part ensures the gradual coverage of issues from the basics to the most recent developments A useful set of references including electronic sources is listed at the end of each chapter a **Real-Time Systems Design and Analysis** Phillip A. Laplante,Seppo J.

Ovaska,2011-11-22 The leading text in the field explains step by step how to write software that responds in real time From power plants to medicine to avionics the world increasingly depends on computer systems that can compute and respond to various excitations in real time The Fourth Edition of Real Time Systems Design and Analysis gives software designers the knowledge and the tools needed to create real time software using a holistic systems based approach The text covers computer architecture and organization operating systems software engineering programming languages and compiler theory all from the perspective of real time systems design The Fourth Edition of this renowned text brings it thoroughly up to date with the latest technological advances and applications This fully updated edition includes coverage of the following concepts Multidisciplinary design challenges Time triggered architectures Architectural advancements Automatic code generation Peripheral interfacing Life cycle processes The final chapter of the text offers an expert perspective on the future of real time systems and their applications The text is self contained enabling instructors and readers to focus on the material that is most important to their needs and interests Suggestions for additional readings guide readers to more in depth discussions on each individual topic In addition each chapter features exercises ranging from simple to challenging to help readers progressively build and fine tune their ability to design their own real time software programs Now fully up to date with the latest technological advances and applications in the field Real Time Systems Design and Analysis remains the top choice for students and software engineers who want to design better and faster real time systems at minimum cost

Design and Analysis of Fault-tolerant Digital Systems Barry W. Johnson,1989 *Analysis and Design of Intelligent Systems Using Soft Computing Techniques* Patricia Melin,Oscar Castillo,Eduardo G. Ramírez,Witold Pedrycz,2007-09-20 This book comprises a selection of papers on new methods for analysis and design of hybrid intelligent systems using soft computing techniques from the IFSA 2007 World Congress held in Cancun Mexico June 2007 **Dsgn Analys Fault Tolern** Barry W. Johnson,1989 **Comprehensive Design Reliability Activities for Aerospace Propulsion Systems** R. L. Christenson,2000 **Design and Analysis of Fault-tolerant Interconnection Networks** Alaric S. Hsiao,1987

Spacecraft System Design Zhang Qingjun,Liu Jie,2023-10-09 Drawing on practical engineering experience and latest

achievements of space technology in China this title investigates spacecraft system design and introduces several design methods based on the model development process A well established space engineering system with spacecraft as the core is integral to spaceflight activities and missions of entering exploring developing and utilizing outer space This book expounds the key phases in the workflow of spacecraft development including task analysis overall plan design external interface configuration and assembly design and experimental verification Subsystems that function as the nuclei of spacecraft design and important aspects in the model development process are then examined such as orbit design environmental influence factors reliability design dynamics analysis etc In addition it also discusses the digital environment and methods to improve the efficiency of system design The title will appeal to researchers students and especially professionals interested in spacecraft system design and space engineering

EDA for IC System Design, Verification, and Testing Louis Scheffer, Luciano Lavagno, Grant Martin, 2018-10-03 Presenting a comprehensive overview of the design automation algorithms tools and methodologies used to design integrated circuits the Electronic Design Automation for Integrated Circuits Handbook is available in two volumes The first volume EDA for IC System Design Verification and Testing thoroughly examines system level design microarchitectural design logical verification and testing Chapters contributed by leading experts authoritatively discuss processor modeling and design tools using performance metrics to select microprocessor cores for IC designs design and verification languages digital simulation hardware acceleration and emulation and much more Save on the complete set

Design Study of Software-Implemented Fault-Tolerance (SIFT) Computer J. H. Wensley, 1982 *Scientific and Technical Aerospace Reports* ,1994 **Design Study of Software-implemented Fault-tolerance (SIFT) Computer** ,1982 **Proceedings, IEEE/AIAA/NASA 9th Digital Avionics Systems Conference, October 15-18, 1990, Virginia Beach, Virginia** ,1990 *Guidance and Control 1995* Robert D. Culp, James D. Medbery, 1995 *Analysis of the Problem of Factory Teacher Training in Indiana* George Frederick Buxton, 1926 Proceedings ,1993 **Real-time Systems Education** ,1996 Proceedings, 1992 IEEE International Workshop on Defect and Fault Tolerance in VLSI Systems Duncan Moore Henry Walker, Fabrizio Lombardi, 1992

Software Fault Tolerance: A Tutorial ,2000 *Supportability Engineering Handbook* James V. Jones, 2007 Abstract Engineers in both the commercial and military sectors can rely on the Supportability Engineering Handbook for complete support criteria that ensure the performance of products ranging from automobiles to spacecraft This one of a kind resource offers the latest supportability tools and methods for designing complex systems that will last a long time and be easy to maintain in actual use World renowned supportability and logistics expert James V Jones shows readers how to create supportable design solutions through effective system architecting system and design engineering and integration He fully analyzes reliability maintainability and testability and also explores every aspect of supportability In addition the author presents detailed coverage of reliability centered maintenance safety and human factors engineering cost of ownership

supportability assessment and testing configuration management and control and much more

This is likewise one of the factors by obtaining the soft documents of this **Dsgn Analys Fault Tolern** by online. You might not require more period to spend to go to the books creation as skillfully as search for them. In some cases, you likewise do not discover the notice Dsgn Analys Fault Tolern that you are looking for. It will unquestionably squander the time.

However below, with you visit this web page, it will be suitably certainly easy to acquire as competently as download guide Dsgn Analys Fault Tolern

It will not give a positive response many time as we explain before. You can attain it even though operate something else at home and even in your workplace. for that reason easy! So, are you question? Just exercise just what we give under as competently as evaluation **Dsgn Analys Fault Tolern** what you as soon as to read!

<https://gandalf.roeckerfam.com/book/detail/index.jsp/collins%20childrens%20dictionary%20over%205000%20entries%20easy%20to%20use%20colour%20headwords.pdf>

Table of Contents Dsgn Analys Fault Tolern

1. Understanding the eBook Dsgn Analys Fault Tolern
 - The Rise of Digital Reading Dsgn Analys Fault Tolern
 - Advantages of eBooks Over Traditional Books
2. Identifying Dsgn Analys Fault Tolern
 - Exploring Different Genres
 - Considering Fiction vs. Non-Fiction
 - Determining Your Reading Goals
3. Choosing the Right eBook Platform
 - Popular eBook Platforms
 - Features to Look for in an Dsgn Analys Fault Tolern
 - User-Friendly Interface
4. Exploring eBook Recommendations from Dsgn Analys Fault Tolern

- Personalized Recommendations
 - Dsgn Analys Fault Tolern User Reviews and Ratings
 - Dsgn Analys Fault Tolern and Bestseller Lists
5. Accessing Dsgn Analys Fault Tolern Free and Paid eBooks
 - Dsgn Analys Fault Tolern Public Domain eBooks
 - Dsgn Analys Fault Tolern eBook Subscription Services
 - Dsgn Analys Fault Tolern Budget-Friendly Options
 6. Navigating Dsgn Analys Fault Tolern eBook Formats
 - ePub, PDF, MOBI, and More
 - Dsgn Analys Fault Tolern Compatibility with Devices
 - Dsgn Analys Fault Tolern Enhanced eBook Features
 7. Enhancing Your Reading Experience
 - Adjustable Fonts and Text Sizes of Dsgn Analys Fault Tolern
 - Highlighting and Note-Taking Dsgn Analys Fault Tolern
 - Interactive Elements Dsgn Analys Fault Tolern
 8. Staying Engaged with Dsgn Analys Fault Tolern
 - Joining Online Reading Communities
 - Participating in Virtual Book Clubs
 - Following Authors and Publishers Dsgn Analys Fault Tolern
 9. Balancing eBooks and Physical Books Dsgn Analys Fault Tolern
 - Benefits of a Digital Library
 - Creating a Diverse Reading Collection Dsgn Analys Fault Tolern
 10. Overcoming Reading Challenges
 - Dealing with Digital Eye Strain
 - Minimizing Distractions
 - Managing Screen Time
 11. Cultivating a Reading Routine Dsgn Analys Fault Tolern
 - Setting Reading Goals Dsgn Analys Fault Tolern
 - Carving Out Dedicated Reading Time
 12. Sourcing Reliable Information of Dsgn Analys Fault Tolern

- Fact-Checking eBook Content of Dsgn Analys Fault Tolern
 - Distinguishing Credible Sources
13. Promoting Lifelong Learning
- Utilizing eBooks for Skill Development
 - Exploring Educational eBooks
14. Embracing eBook Trends
- Integration of Multimedia Elements
 - Interactive and Gamified eBooks

Dsgn Analys Fault Tolern Introduction

Free PDF Books and Manuals for Download: Unlocking Knowledge at Your Fingertips In today's fast-paced digital age, obtaining valuable knowledge has become easier than ever. Thanks to the internet, a vast array of books and manuals are now available for free download in PDF format. Whether you are a student, professional, or simply an avid reader, this treasure trove of downloadable resources offers a wealth of information, conveniently accessible anytime, anywhere. The advent of online libraries and platforms dedicated to sharing knowledge has revolutionized the way we consume information. No longer confined to physical libraries or bookstores, readers can now access an extensive collection of digital books and manuals with just a few clicks. These resources, available in PDF, Microsoft Word, and PowerPoint formats, cater to a wide range of interests, including literature, technology, science, history, and much more. One notable platform where you can explore and download free Dsgn Analys Fault Tolern PDF books and manuals is the internet's largest free library. Hosted online, this catalog compiles a vast assortment of documents, making it a veritable goldmine of knowledge. With its easy-to-use website interface and customizable PDF generator, this platform offers a user-friendly experience, allowing individuals to effortlessly navigate and access the information they seek. The availability of free PDF books and manuals on this platform demonstrates its commitment to democratizing education and empowering individuals with the tools needed to succeed in their chosen fields. It allows anyone, regardless of their background or financial limitations, to expand their horizons and gain insights from experts in various disciplines. One of the most significant advantages of downloading PDF books and manuals lies in their portability. Unlike physical copies, digital books can be stored and carried on a single device, such as a tablet or smartphone, saving valuable space and weight. This convenience makes it possible for readers to have their entire library at their fingertips, whether they are commuting, traveling, or simply enjoying a lazy afternoon at home. Additionally, digital files are easily searchable, enabling readers to locate specific information within seconds. With a few keystrokes, users can search for keywords, topics, or phrases, making research and finding relevant information a breeze. This efficiency

saves time and effort, streamlining the learning process and allowing individuals to focus on extracting the information they need. Furthermore, the availability of free PDF books and manuals fosters a culture of continuous learning. By removing financial barriers, more people can access educational resources and pursue lifelong learning, contributing to personal growth and professional development. This democratization of knowledge promotes intellectual curiosity and empowers individuals to become lifelong learners, promoting progress and innovation in various fields. It is worth noting that while accessing free Dsgn Analys Fault Tolern PDF books and manuals is convenient and cost-effective, it is vital to respect copyright laws and intellectual property rights. Platforms offering free downloads often operate within legal boundaries, ensuring that the materials they provide are either in the public domain or authorized for distribution. By adhering to copyright laws, users can enjoy the benefits of free access to knowledge while supporting the authors and publishers who make these resources available. In conclusion, the availability of Dsgn Analys Fault Tolern free PDF books and manuals for download has revolutionized the way we access and consume knowledge. With just a few clicks, individuals can explore a vast collection of resources across different disciplines, all free of charge. This accessibility empowers individuals to become lifelong learners, contributing to personal growth, professional development, and the advancement of society as a whole. So why not unlock a world of knowledge today? Start exploring the vast sea of free PDF books and manuals waiting to be discovered right at your fingertips.

FAQs About Dsgn Analys Fault Tolern Books

How do I know which eBook platform is the best for me? Finding the best eBook platform depends on your reading preferences and device compatibility. Research different platforms, read user reviews, and explore their features before making a choice. Are free eBooks of good quality? Yes, many reputable platforms offer high-quality free eBooks, including classics and public domain works. However, make sure to verify the source to ensure the eBook credibility. Can I read eBooks without an eReader? Absolutely! Most eBook platforms offer webbased readers or mobile apps that allow you to read eBooks on your computer, tablet, or smartphone. How do I avoid digital eye strain while reading eBooks? To prevent digital eye strain, take regular breaks, adjust the font size and background color, and ensure proper lighting while reading eBooks. What the advantage of interactive eBooks? Interactive eBooks incorporate multimedia elements, quizzes, and activities, enhancing the reader engagement and providing a more immersive learning experience. Dsgn Analys Fault Tolern is one of the best book in our library for free trial. We provide copy of Dsgn Analys Fault Tolern in digital format, so the resources that you find are reliable. There are also many Ebooks of related with Dsgn Analys Fault Tolern. Where to download Dsgn Analys Fault Tolern online for free? Are you looking for Dsgn Analys Fault Tolern PDF? This is definitely going to save you time and

cash in something you should think about. If you trying to find then search around for online. Without a doubt there are numerous these available and many of them have the freedom. However without doubt you receive whatever you purchase. An alternate way to get ideas is always to check another Dsgn Analys Fault Tolern. This method for see exactly what may be included and adopt these ideas to your book. This site will almost certainly help you save time and effort, money and stress. If you are looking for free books then you really should consider finding to assist you try this. Several of Dsgn Analys Fault Tolern are for sale to free while some are payable. If you arent sure if the books you would like to download works with for usage along with your computer, it is possible to download free trials. The free guides make it easy for someone to free access online library for download books to your device. You can get free download on free trial for lots of books categories. Our library is the biggest of these that have literally hundreds of thousands of different products categories represented. You will also see that there are specific sites catered to different product types or categories, brands or niches related with Dsgn Analys Fault Tolern. So depending on what exactly you are searching, you will be able to choose e books to suit your own need. Need to access completely for Campbell Biology Seventh Edition book? Access Ebook without any digging. And by having access to our ebook online or by storing it on your computer, you have convenient answers with Dsgn Analys Fault Tolern To get started finding Dsgn Analys Fault Tolern, you are right to find our website which has a comprehensive collection of books online. Our library is the biggest of these that have literally hundreds of thousands of different products represented. You will also see that there are specific sites catered to different categories or niches related with Dsgn Analys Fault Tolern So depending on what exactly you are searching, you will be able to choose ebook to suit your own need. Thank you for reading Dsgn Analys Fault Tolern. Maybe you have knowledge that, people have search numerous times for their favorite readings like this Dsgn Analys Fault Tolern, but end up in harmful downloads. Rather than reading a good book with a cup of coffee in the afternoon, instead they juggled with some harmful bugs inside their laptop. Dsgn Analys Fault Tolern is available in our book collection an online access to it is set as public so you can download it instantly. Our digital library spans in multiple locations, allowing you to get the most less latency time to download any of our books like this one. Merely said, Dsgn Analys Fault Tolern is universally compatible with any devices to read.

Find Dsgn Analys Fault Tolern :

collins childrens dictionary over 5000 entries easy to use colour headwords

collected vocal music part 2 dialogues partsongs and catches

collins road atlas britain 1997

collective electrodynamics quantum foundations of electromagnetism

collins traveller seville and andalucia collins traveller

college money handbook 2006

collections for young scholars. framework for effective teaching teachers guide grade 1. 2

college algebra with review

~~collins internet linked dictionary of economics – paperback~~

~~collected works of harold laski~~

colloid science a symposium

collected poems of beatrice hawley

~~college mathematics the prindle weber & schmidt series in mathematics~~

colloquium on electronic filters

college writing assignments and exercises 10e;pb;2004 for u of min.-du

Dsgn Analys Fault Tolern :

monthly safety report slide team - Nov 27 2021

web oct 12 2023 the hamas terrorists who murdered babies in their cribs last week weren t stamped with pathological hatred at birth it was an acquired habit the result of a

how to write a safety report safetyrisk net - Oct 07 2022

web construction safety management systems and methods of safety performance measurement a review elias jazayeri the construction industry experiences high

free safety report template download in word - Mar 12 2023

web feb 24 2023 a monthly report is a summary of your business activities during a specific month it provides an overview of key statistics information about the company s

safety report 19 examples format pdf examples - Aug 17 2023

web monthly ehs report project site month aug 19 ctrl s data centre name of site name of site manager veeram name of project phone no

safety report templates 16 pdf word apple - Aug 05 2022

web home customer favourites monthly safety report monthly safety report sort item 1 to 65 of 65 total items view per page page 1 slide 1 of 7 dashboard to detect equipment

hamas terror holds a warning for extremism in american - Mar 20 2021

what to include in your safety report template ehs - Jan 10 2023

web this monthly safety report template can help you find inspiration and motivation this monthly safety report covers the most important topics that you are looking for and will

27 safety report templates word pdf apple pages - Jun 03 2022

web oct 16 2023 small business safety your guide to safety and health in small business historical safety and health law safety and health legislation prior to 2022 corporate

monthly report for word excel pdf google docs google - Apr 01 2022

web 17 hours ago 01 53 source cnn cnn the us government is receiving dozens of reports of unidentified anomalous phenomena more commonly known as ufos each

building disputes monthly report september 2023 - Sep 25 2021

free monthly safety activity report template - Feb 11 2023

web a safety report format shows information on a major hazardous facility s safety operations starting from the studies being made the results of the study and the

monthly safety report sample pdf safety prevention scribd - Jun 15 2023

web free monthly safety activity report template free download this monthly safety activity report template design in word google docs pdf apple pages format easily

how to write an effective monthly report templates visme - Jul 04 2022

web oct 3 2022 monthly safety report is one of the most important safety documents which shows safety performance of a contractor or company monthly safety reports include

pdf monthly safety report lochana amarasinghe - Jan 30 2022

web 2 days ago the fbi s crime statistics estimates for 2022 show that national violent crime decreased an estimated 1 7 in 2022 compared to 2021 estimates murder and non

monthly safety report at in word doc template pdffiller - Dec 29 2021

web 19 hours ago gilford n h ap a small plane that crashed into lake winnepesaukee in new hampshire began to climb from a descent before it headed down again the

why israel s gaza evacuation order is so alarming - Aug 25 2021

fbi releases 2022 crime in the nation statistics fbi - May 22 2021

small plane that crashed into new hampshire lake had started to - Feb 16 2021

monthly safety report template frontline data - Dec 09 2022

web template highlights our monthly report template is available for download as an excel workbook a word document or a pdf update the header of the report template with

us is receiving dozens of ufo reports a month senior pentagon - Jul 24 2021

safety report format and sample safety reports to use - Jul 16 2023

web jan 3 2023 monthly safety report submit by the 7th of next month details of recordable injuries or illnesses for all injuries and illnesses listed on page

monthly safety report templates at allbusinesstemplates.com - May 02 2022

web 2 days ago in response to the hamas led attacks israeli authorities have conducted massive airstrikes on densely populated neighborhoods in gaza that have killed more

monthly safety report monthly hse statistics - Oct 27 2021

web 19 hours ago the national transportation safety board says a small plane that crashed into lake winnepesaukee last month in new hampshire began to climb from a descent

gold advances as middle east tensions spur safe haven demand - Jun 22 2021

monthly safety report template better format than word - Sep 18 2023

web this monthly safety report template is free and customisable for your own safety reporting and a much smarter format than your reports in word or excel

monthly safety report university of michigan - Apr 13 2023

web 5 annual security and fire safety report example 6 campus safety report summary writing example 7 monthly safety report writing example 8 safety discipline

safety report writing 10 examples format pdf - Sep 06 2022

web the monthly safety report at in word is a writable document which can be filled out and signed for certain purpose then it is furnished to the actual addressee to provide

monthly safety report format in word fill out sign online dochub - Feb 28 2022

web 19 hours ago oct 18 reuters gold rose to a more than two month peak on wednesday as the escalating conflict in the middle east sent investors flocking towards the safe

create a monthly safety report frontline blog - May 14 2023

web september 9 2022 by george robotham 13 comments how to write a safety report ohs professionals write many reports

read many reports and ask others to prepare

small plane that crashed into new hampshire lake had started - Apr 20 2021

monthly safety report sample pdf prevention - Nov 08 2022

web 01 edit your monthly safety report format in word online type text add images blackout confidential details add comments highlights and more 02 sign it in a few clicks draw

deutz f2l 208f bueng - May 31 2022

web deutz f2l 208f 3 3 designers the iee wiring regulations bs 7671 have been completely restructured and updated for the first time in over a decade this 17th edition of the iee

gehl tracked excavators mb z mb 135 gehlmax - Aug 14 2023

web mb 135 gehlmax deutz f2l 208f 1988 1992 kroon oil b v postbus 149 7600 ac almelo dollegoorweg 15 7602 ec almelo telefoon 0546 818165 verkoop 0546

ersatzteile für orenstein koppel o k rh 1 1 motor deutz - Nov 05 2022

web deutz f2l 208f manual this is likewise one of the factors by obtaining the soft documents of this deutz f2l 208f manual by online you might not require more mature to spend to go

mann filter katalog avrupa online araçlar off highway - Apr 10 2023

web khd deutz f1l 208d f1l210d engines i air cooled diesel engines for boats l208d fil210d boat drive diesel engines fl l 208 d futuristic in design and pro

mann filter online catalog europe vehicles air filter oil - Jan 07 2023

web rh 1 1 motor deutz f2l208f kraftstofffilter für o k rh 1 1 motor deutz f2l 208f türscheibe für orenstein koppel o k rh 1 1 motor deutz f2l208f gummik

dpx power deutz f2l 912 20 kva genset dpx 1484 youtube - Apr 29 2022

web gftfilter com boyuta gÖre arama gftfilter com araçlar

deutz f2l 208f manual hanonmckendry com - Sep 03 2022

web entdecke deutz f2l208f motor in großer auswahl vergleichen angebote und preise online kaufen bei ebay kostenlose lieferung für viele artikel

[sale of deutz f2l208f engine t m d any engines com](#) - Jul 13 2023

web buy a deutz f2l208f engine at the best price and best delays request your free quote

deutz f2l208f motor ebay - Jul 01 2022

web sep 12 2014 52k views 8 years ago dpx power deutz f2l 912 20 kva genset dpx 1484 show more dpx power deutz f2l

912 20 kva genset dpx 1484 dpx power

[product recommendation gehl tracked](#) - Oct 04 2022

web see detailed specifications and technical data for rear drums with conditioner get more in depth insight on deutz fahr rear drums with conditioner and find specific machine

[deutz f2l 208f bexpert udh sa](#) - Mar 29 2022

web deutz f2l 208f manual pdf download pbage org deutz f2l 208f dizelski motor polovno de leex 5956 pg deutz f2l1011 engine parts manual sabanewspaper com deutz

deutz f2l208 for sale on diesel engine trader - Dec 06 2022

web engine deutz f2l 208f use climate normal moderate product recommendation 1 product recommendation 2 dieselfleet cd 15w 40

khd deutz f1l 208d f1l210d engines - Mar 09 2023

web mann filter online catalog europe vehicles air filter oil filter fuel filter cabin filter off highway applications deutz ag engines 208 serie f2l 208f

mann filter katalog avrupa online araçlar hava yağ yakıt - Sep 22 2021

deutz f2l208f gebraucht kaufen maschinensucher - Oct 24 2021

[deutz f2l208f youtube](#) - May 11 2023

web mann filter katalog avrupa online araçlar off highway uygulamaları deutz ag engines 208 serie katalog avrupa araçlar mann filter Çapraz referans

deutz f2l 208f 50storiesfortomorrow ilfu com - Dec 26 2021

web deutz f2l208f gebraucht kaufen 154 zu verkaufen haben wir einen gebrauchten deutz motor im sehr guten zustand preis 3 200 netto pro stück technische daten

gft online catalog - Feb 25 2022

web deutz f2l 208f decoding deutz f2l 208f revealing the captivating potential of verbal expression in an era characterized by interconnectedness and an insatiable thirst for

deutz fahr rear drums with conditioner lectura specs - Aug 02 2022

web jun 4 2023 deutz f2l 208f manual by angelika fruehauf can be downloaded for free below you likewise could read online deutz f2l 208f manual in our site deutz f2l 208f

find all deutz fahr related specifications technical - Feb 08 2023

web call us today for a great price or professional deutz engine repair work for your engine phone 713 775 5216 or 281 356 6675 email aircool sbcglobal net website

deutz diesel f2l 208f - Jan 27 2022

web deutz diesel f2l 208f 3 3 the best review books and textbook companions available they re perfect for undergraduate and graduate studies this highly useful reference

deutz mag f1l 208f need info and help antique - Jun 12 2023

web aug 20 2018 i have a f1l208f that was on a stewart stevenson 5kw single phase generator operating at 3600rpm i believe the f models were generator engines and

deutz diesel f2l 208f thedoctor co - Nov 24 2021

web mann filter katalog avrupa online araçlar hava yağ yakıt İç mekan filtresi off highway uygulamaları deutz ag engines 208 serie f2l 208f

about us stories to remember - Sep 18 2022

web it all started with a purpose to inspire and brighten people s lives through uplifting heartwarming stories that is why i created the stories to remember youtube channel although i did not anticipate it would positively impact more than 20

stories to remember - Feb 11 2022

web stories to remember presents to you the best real life inspired stories in all book formats heart touching stories heartwarming stories inspiring stories we all have something to share and we try to take inspiration from all over the

how to memorize effectively memorizing facts using stories - Aug 17 2022

web learn to memorize new information using stories the stories allow you to visualize the material you are learning which increases your ability to memorize ef

what makes storytelling so effective for learning - Mar 24 2023

web dec 20 2017 storytelling also helps with learning because stories are easy to remember organizational psychologist peg neuhauser found that learning which stems from a well told story is remembered more accurately and for far

how to remember stories psychology today - Feb 23 2023

web oct 10 2020 pulling your stories out of your brain when you need them is an acquired skill this is how real life works you can t whip out your phone in the middle of a date or a dinner party

story to remember youtube - Mar 12 2022

web story to remember is a youtube channel dedicated to stories of struggle triumph and remarkable resilience delve into captivating narratives that showcase the indomitable human spirit from

using an imaginative story to remember a list of items - Dec 21 2022

web let s say for example you have four things on your list parmesan cheese egg noodles croutons and corn dogs even though these items typically aren t related you can create a funny story or image in your mind to help you remember them for example you can picture the crouton walking its corn dog in the snow or in this case

home storychest - Jul 28 2023

web home storychest make life unforgettable organise your best pictures videos and mementos into stories to remember all in one place keep your memories alive not buried in thousands of photos share privately with family and closest friends 4 8 rating how it works saving your memories is easy get started

100 things to memorize memory work for homeschool your - May 14 2022

web when less is more easy christmas activities for your yule school 100 posts of encouragement for homeschool moms a list of 100 ideas to help you get started using memory work for homeschool choices from scripture poetry science history geography and much more

stories to remember youtube - Aug 29 2023

web stories to remember is where you will find stories that make us think and feel stories can help us learn about others understand and empathize with them and their situations and perhaps

stories to remember by thomas b costain goodreads - Jul 16 2022

web thomas b costain john beecroft 3 79 19 ratings5 reviews a collection of stories including 3 novels the bridge of san luis rey novel the sea of grass novel national velvet novel judith the last leaf the necklace and more volume 2 in the series

why stories are memorable by universal storyteller medium - Jan 22 2023

web jan 7 2016 stories are memorable it is over 20 times more likely to remember a fact if it is wrapped around a story a recent study at london business school demonstrated that information retention levels

stories to remember wikipedia - Jun 27 2023

web stories to remember was a compilation of 6 animated stories made in the early 1990s the stories noah s ark 1989 voiced by james earl jones beauty the beast 1990 voiced by mia farrow pegasus the flying horse 1990 voiced by mia farrow merlin and the dragons 1991 voiced by kevin kline the snow queen 1992 voiced by sigourney

stories to remember noah s ark youtube - Jan 10 2022

web mar 6 2023 stories to remember noah s ark lightyear entertainment 1 96k subscribers subscribe share save 5 7k views 5 months ago based on peter spier s caldecott winning picture book this is probably the

macmillan s stories to remember in simple english - Nov 20 2022

web oxford university press is a department of the university of oxford it furthers the university s objective of excellence in research scholarship and education by publishing worldwide

how to use the story method to remember things art of memory - Oct 19 2022

web apr 2 2023 1 minute read updated on 2 apr 2023 the story method is a kind of mnemonic link system that uses a story to link things together stories are much easier to remember than plain facts so any time you want to remember something try making a

how to remember a story using a memory palace magnetic - May 26 2023

web apr 20 2022 what is a story anyway one of the most interesting aspects involved in memorizing stories is that you soon discover every narrative is composed of many different kinds of information just about every story will involve names places locations descriptions special terms sometimes foreign vocabulary quotes and epigraphs

do you need to memorize a story to tell it international - Apr 25 2023

web you do not need to memorize a story to tell it learning a story word by word often leads to a forced delivery storytellers commonly do not memorize a story but remember the story through visualization and telling it often so how do you make sure you remember a story when you do not memorize it

stories make effective memory techniques real memory - Jun 15 2022

web creating a little story is among the best memory techniques recent research has backed up what we ve known for years that your memory works better if you create vivid images and stories whenever you re learning psychology professor dan johnson of washington and lee university had begun to notice how his stories little

stories to remember narrative and the time of memory deepdyve - Apr 13 2022

web jul 30 2009 read stories to remember narrative and the time of memory storyworlds a journal of narrative studies on deepdyve the largest online rental service for scholarly research with thousands of academic publications available at your fingertips