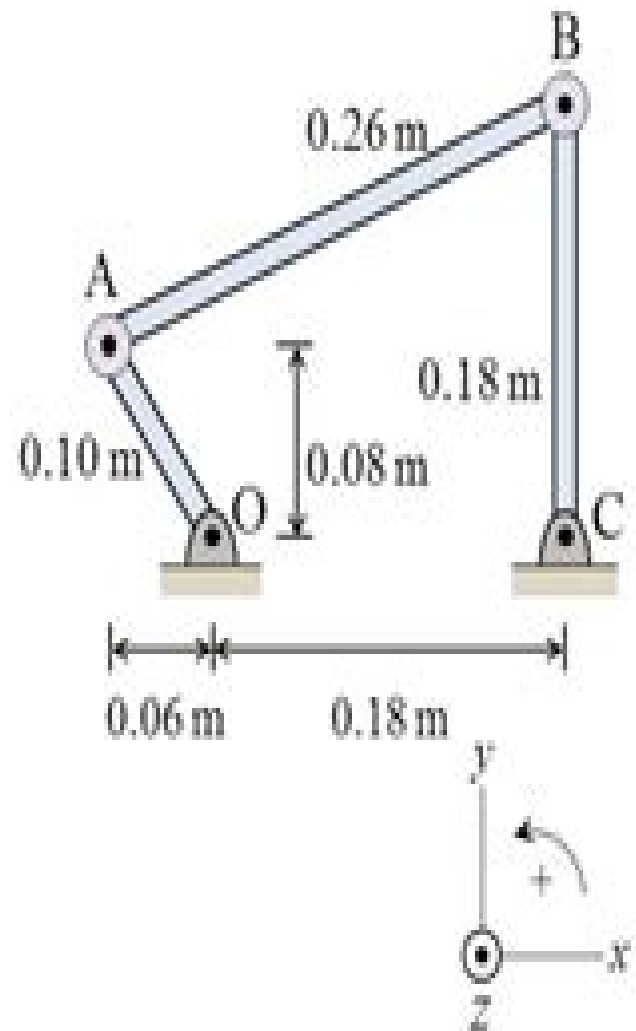


Relate velocities to obtain  $\omega_{AB}$ ,

$$\vec{v}_A = \vec{v}_B + \vec{v}_{A/B} \quad (2)$$



# Dynamics Of Rigid Bodies

**Joseph F. Shelley**



## **Dynamics Of Rigid Bodies:**

Dynamics of Rigid Bodies William Duncan MacMillan,1960     *A Concise Introduction to Mechanics of Rigid Bodies* L. Huang,2016-11-26 This updated second edition broadens the explanation of rotational kinematics and dynamics the most important aspect of rigid body motion in three dimensional space and a topic of much greater complexity than linear motion It expands treatment of vector and matrix and includes quaternion operations to describe and analyze rigid body motion which are found in robot control trajectory planning 3D vision system calibration and hand eye coordination of robots in assembly work etc It features updated treatments of concepts in all chapters and case studies The textbook retains its comprehensiveness in coverage and compactness in size which make it easily accessible to the readers from multidisciplinary areas who want to grasp the key concepts of rigid body mechanics which are usually scattered in multiple volumes of traditional textbooks Theoretical concepts are explained through examples taken from across engineering disciplines and links to applications and more advanced courses e g industrial robotics are provided Ideal for students and practitioners this book provides readers with a clear path to understanding rigid body mechanics and its significance in numerous sub fields of mechanical engineering and related areas     Dynamics of Particles and Rigid Bodies Anil Rao,2005-11-14 This 2006 book is intended for undergraduate courses in dynamics The work is a unique blend of conceptual theoretical and practical aspects of dynamics generally not found in dynamics books at the undergraduate level In particular in this book the concepts are developed in a highly rigorous manner and are applied to examples using a step by step approach that is completely consistent with the theory In addition for clarity the notation used to develop the theory is identical to that used to solve example problems The result of this approach is that a student is able to see clearly the connection between the theory and the application of theory to example problems While the material is not new instructors and their students will appreciate the highly pedagogical approach that aids in the mastery and retention of concepts The approach used in this book teaches a student to develop a systematic approach to problem solving     *Dynamics: Particles, rigid bodies, and systems* Robert L. Halfman,1962     **Dynamics of Systems of Rigid Bodies** Jens Wittenburg,2013-04-17     An Elementary Treatise on the Dynamics of a System of Rigid Bodies Edward John Routh,1877     *The Engineering Dynamics Course Companion, Part 2* Edward Diehl,2022-05-31 Engineering Dynamics Course Companion Part 2 Rigid Bodies Kinematics and Kinetics is a supplemental textbook intended to assist students especially visual learners in their approach to Sophomore level Engineering Dynamics This text covers particle kinematics and kinetics and emphasizes Newtonian Mechanics Problem Solving Skills in an accessible and fun format organized to coincide with the first half of a semester schedule many instructors choose and supplied with numerous example problems While this book addresses Rigid Body Dynamics a separate book Part 1 is available that covers Particle Dynamics     **700 Solved Problems In Vector Mechanics for Engineers: Dynamics** Joseph F. Shelley,1991-04 Suitable for 2nd year college and university engineering students this book provides

them with a source of problems with solutions in vector mechanics that covers various aspects of the basic course It offers the comprehensive solved problem reference in the subject It also provides the student with the problem solving drill

Dynamics of Particles and Rigid Bodies Mohammed F. Daqaq,2018-07-10 A unique approach to teaching particle and rigid body dynamics using solved illustrative examples and exercises to encourage self learning The study of particle and rigid body dynamics is a fundamental part of curricula for students pursuing graduate degrees in areas involving dynamics and control of systems These include physics robotics nonlinear dynamics aerospace celestial mechanics and automotive engineering among others While the field of particle and rigid body dynamics has not evolved significantly over the past seven decades neither have approaches to teaching this complex subject This book fills the void in the academic literature by providing a uniquely stimulating flipped classroom approach to teaching particle and rigid body dynamics which was developed tested and refined by the author and his colleagues over the course of many years of instruction at both the graduate and undergraduate levels Complete with numerous solved illustrative examples and exercises to encourage self learning in a flipped classroom environment Dynamics of Particles and Rigid Bodies A Self Learning Approach Provides detailed easy to understand explanations of concepts and mathematical derivations Includes numerous flipped classroom exercises carefully designed to help students comprehend the material covered without actually solving the problem for them Features an extensive chapter on electromechanical modelling of systems involving particle and rigid body motion Provides examples from the state of the art research on sensing actuation and energy harvesting mechanisms Offers access to a companion website featuring additional exercises worked problems diagrams and a solutions manual Ideal as a textbook for classes in dynamics and controls courses Dynamics of Particles and Rigid Bodies A Self Learning Approach is a godsend for students pursuing advanced engineering degrees who need to master this complex subject It will also serve as a handy reference for professional engineers across an array of industrial domains

*An Elementary Treatise on the Dynamics of a System of Rigid Bodies* Edward John Routh,1869

*A Treatise on Dynamics of a System of Rigid Bodies* Edward John Routh,1905

*3D Motion of Rigid Bodies* Ernesto Olguín Díaz,2018-12-06 This book offers an excellent complementary text for an advanced course on the modelling and dynamic analysis of multi body mechanical systems and provides readers an in depth understanding of the modelling and control of robots While the Lagrangian formulation is well suited to multi body systems its physical meaning becomes paradoxically complicated for single rigid bodies Yet the most advanced numerical methods rely on the physics of these single rigid bodies whose dynamic is then given among multiple formulations by the set of the Newton Euler equations in any of their multiple expression forms This book presents a range of simple tools to express in succinct form the dynamic equation for the motion of a single rigid body either free motion 6 dimension such as that of any free space navigation robot or constrained motion less than 6 dimension such as that of ground or surface vehicles In the process the book also explains the equivalences of and differences between the different formulations

**Rigid Dynamics**

Md. M. Rahman,2011 The book is complete as far as the subject matter and the requirements of students are concerned because no important chapter has been left out Each topic has been introduced and developed in simple and straightforward manner

**A Treatise on the Dynamics of a System of Rigid Bodies ...: Advanced part** Edward John Routh,1905

**A Treatise on the Analytical Dynamics of Particles and Rigid Bodies** Edmund Taylor Whittaker,1927

**A Treatise on the Dynamics of a System of Rigid Bodies: The elementary part** Edward John Routh,1897

A Treatise on the Dynamics of a System of Rigid Bodies. With Numerous Examples: The elementary part Edward John Routh,1891

**A Treatise on the Dynamics of a System of Rigid Bodies ...: Elementary part** Edward John Routh,1905

**A Treatise On The Dynamics Of A System Of Rigid Bodies. With Numerous Examples** Edward John Routh,2022-10-27

This work has been selected by scholars as being culturally important and is part of the knowledge base of civilization as we know it This work is in the public domain in the United States of America and possibly other nations Within the United States you may freely copy and distribute this work as no entity individual or corporate has a copyright on the body of the work Scholars believe and we concur that this work is important enough to be preserved reproduced and made generally available to the public We appreciate your support of the preservation process and thank you for being an important part of keeping this knowledge alive and relevant

*Dynamics of Multibody Systems* Jens Wittenburg,2007-10-20

Investigations into the dynamics of a system of rigid bodies require the formulation of nonlinear equations of motion of energy expressions kinematic relationships and other quantities It is common practice to develop these for each system separately and to consider the labor necessary for deriving e g equations of motion from Lagrange s equation as inevitable It is the main purpose of this book to describe in detail a formalism which substantially simplifies these tasks The book addresses advanced graduate students and scientists

## Reviewing **Dynamics Of Rigid Bodies**: Unlocking the Spellbinding Force of Linguistics

In a fast-paced world fueled by information and interconnectivity, the spellbinding force of linguistics has acquired newfound prominence. Its capacity to evoke emotions, stimulate contemplation, and stimulate metamorphosis is really astonishing. Within the pages of "**Dynamics Of Rigid Bodies**," an enthralling opus penned by a highly acclaimed wordsmith, readers embark on an immersive expedition to unravel the intricate significance of language and its indelible imprint on our lives. Throughout this assessment, we shall delve in to the book is central motifs, appraise its distinctive narrative style, and gauge its overarching influence on the minds of its readers.

<https://gandalf.roeckerfam.com/files/Resources/default.aspx/all%20through%20the%20day%20all%20through%20the%20year.pdf>

### **Table of Contents Dynamics Of Rigid Bodies**

1. Understanding the eBook Dynamics Of Rigid Bodies
  - The Rise of Digital Reading Dynamics Of Rigid Bodies
  - Advantages of eBooks Over Traditional Books
2. Identifying Dynamics Of Rigid Bodies
  - Exploring Different Genres
  - Considering Fiction vs. Non-Fiction
  - Determining Your Reading Goals
3. Choosing the Right eBook Platform
  - Popular eBook Platforms
  - Features to Look for in an Dynamics Of Rigid Bodies
  - User-Friendly Interface
4. Exploring eBook Recommendations from Dynamics Of Rigid Bodies
  - Personalized Recommendations
  - Dynamics Of Rigid Bodies User Reviews and Ratings

- Dynamics Of Rigid Bodies and Bestseller Lists
- 5. Accessing Dynamics Of Rigid Bodies Free and Paid eBooks
  - Dynamics Of Rigid Bodies Public Domain eBooks
  - Dynamics Of Rigid Bodies eBook Subscription Services
  - Dynamics Of Rigid Bodies Budget-Friendly Options
- 6. Navigating Dynamics Of Rigid Bodies eBook Formats
  - ePub, PDF, MOBI, and More
  - Dynamics Of Rigid Bodies Compatibility with Devices
  - Dynamics Of Rigid Bodies Enhanced eBook Features
- 7. Enhancing Your Reading Experience
  - Adjustable Fonts and Text Sizes of Dynamics Of Rigid Bodies
  - Highlighting and Note-Taking Dynamics Of Rigid Bodies
  - Interactive Elements Dynamics Of Rigid Bodies
- 8. Staying Engaged with Dynamics Of Rigid Bodies
  - Joining Online Reading Communities
  - Participating in Virtual Book Clubs
  - Following Authors and Publishers Dynamics Of Rigid Bodies
- 9. Balancing eBooks and Physical Books Dynamics Of Rigid Bodies
  - Benefits of a Digital Library
  - Creating a Diverse Reading Collection Dynamics Of Rigid Bodies
- 10. Overcoming Reading Challenges
  - Dealing with Digital Eye Strain
  - Minimizing Distractions
  - Managing Screen Time
- 11. Cultivating a Reading Routine Dynamics Of Rigid Bodies
  - Setting Reading Goals Dynamics Of Rigid Bodies
  - Carving Out Dedicated Reading Time
- 12. Sourcing Reliable Information of Dynamics Of Rigid Bodies
  - Fact-Checking eBook Content of Dynamics Of Rigid Bodies
  - Distinguishing Credible Sources

13. Promoting Lifelong Learning
  - Utilizing eBooks for Skill Development
  - Exploring Educational eBooks
14. Embracing eBook Trends
  - Integration of Multimedia Elements
  - Interactive and Gamified eBooks

### **Dynamics Of Rigid Bodies Introduction**

Free PDF Books and Manuals for Download: Unlocking Knowledge at Your Fingertips In today's fast-paced digital age, obtaining valuable knowledge has become easier than ever. Thanks to the internet, a vast array of books and manuals are now available for free download in PDF format. Whether you are a student, professional, or simply an avid reader, this treasure trove of downloadable resources offers a wealth of information, conveniently accessible anytime, anywhere. The advent of online libraries and platforms dedicated to sharing knowledge has revolutionized the way we consume information. No longer confined to physical libraries or bookstores, readers can now access an extensive collection of digital books and manuals with just a few clicks. These resources, available in PDF, Microsoft Word, and PowerPoint formats, cater to a wide range of interests, including literature, technology, science, history, and much more. One notable platform where you can explore and download free Dynamics Of Rigid Bodies PDF books and manuals is the internet's largest free library. Hosted online, this catalog compiles a vast assortment of documents, making it a veritable goldmine of knowledge. With its easy-to-use website interface and customizable PDF generator, this platform offers a user-friendly experience, allowing individuals to effortlessly navigate and access the information they seek. The availability of free PDF books and manuals on this platform demonstrates its commitment to democratizing education and empowering individuals with the tools needed to succeed in their chosen fields. It allows anyone, regardless of their background or financial limitations, to expand their horizons and gain insights from experts in various disciplines. One of the most significant advantages of downloading PDF books and manuals lies in their portability. Unlike physical copies, digital books can be stored and carried on a single device, such as a tablet or smartphone, saving valuable space and weight. This convenience makes it possible for readers to have their entire library at their fingertips, whether they are commuting, traveling, or simply enjoying a lazy afternoon at home. Additionally, digital files are easily searchable, enabling readers to locate specific information within seconds. With a few keystrokes, users can search for keywords, topics, or phrases, making research and finding relevant information a breeze. This efficiency saves time and effort, streamlining the learning process and allowing individuals to focus on extracting the information they need. Furthermore, the availability of free PDF books and manuals fosters a culture of continuous learning. By removing

financial barriers, more people can access educational resources and pursue lifelong learning, contributing to personal growth and professional development. This democratization of knowledge promotes intellectual curiosity and empowers individuals to become lifelong learners, promoting progress and innovation in various fields. It is worth noting that while accessing free Dynamics Of Rigid Bodies PDF books and manuals is convenient and cost-effective, it is vital to respect copyright laws and intellectual property rights. Platforms offering free downloads often operate within legal boundaries, ensuring that the materials they provide are either in the public domain or authorized for distribution. By adhering to copyright laws, users can enjoy the benefits of free access to knowledge while supporting the authors and publishers who make these resources available. In conclusion, the availability of Dynamics Of Rigid Bodies free PDF books and manuals for download has revolutionized the way we access and consume knowledge. With just a few clicks, individuals can explore a vast collection of resources across different disciplines, all free of charge. This accessibility empowers individuals to become lifelong learners, contributing to personal growth, professional development, and the advancement of society as a whole. So why not unlock a world of knowledge today? Start exploring the vast sea of free PDF books and manuals waiting to be discovered right at your fingertips.

### FAQs About Dynamics Of Rigid Bodies Books

**What is a Dynamics Of Rigid Bodies PDF?** A PDF (Portable Document Format) is a file format developed by Adobe that preserves the layout and formatting of a document, regardless of the software, hardware, or operating system used to view or print it. **How do I create a Dynamics Of Rigid Bodies PDF?** There are several ways to create a PDF: Use software like Adobe Acrobat, Microsoft Word, or Google Docs, which often have built-in PDF creation tools. Print to PDF: Many applications and operating systems have a "Print to PDF" option that allows you to save a document as a PDF file instead of printing it on paper. Online converters: There are various online tools that can convert different file types to PDF. **How do I edit a Dynamics Of Rigid Bodies PDF?** Editing a PDF can be done with software like Adobe Acrobat, which allows direct editing of text, images, and other elements within the PDF. Some free tools, like PDFescape or Smallpdf, also offer basic editing capabilities. **How do I convert a Dynamics Of Rigid Bodies PDF to another file format?** There are multiple ways to convert a PDF to another format: Use online converters like Smallpdf, Zamzar, or Adobe Acrobats export feature to convert PDFs to formats like Word, Excel, JPEG, etc. Software like Adobe Acrobat, Microsoft Word, or other PDF editors may have options to export or save PDFs in different formats. **How do I password-protect a Dynamics Of Rigid Bodies PDF?** Most PDF editing software allows you to add password protection. In Adobe Acrobat, for instance, you can go to "File" -> "Properties" -> "Security" to set a password to restrict access or editing capabilities. Are there any free alternatives to Adobe

Acrobat for working with PDFs? Yes, there are many free alternatives for working with PDFs, such as: LibreOffice: Offers PDF editing features. PDFsam: Allows splitting, merging, and editing PDFs. Foxit Reader: Provides basic PDF viewing and editing capabilities. How do I compress a PDF file? You can use online tools like Smallpdf, ILovePDF, or desktop software like Adobe Acrobat to compress PDF files without significant quality loss. Compression reduces the file size, making it easier to share and download. Can I fill out forms in a PDF file? Yes, most PDF viewers/editors like Adobe Acrobat, Preview (on Mac), or various online tools allow you to fill out forms in PDF files by selecting text fields and entering information. Are there any restrictions when working with PDFs? Some PDFs might have restrictions set by their creator, such as password protection, editing restrictions, or print restrictions. Breaking these restrictions might require specific software or tools, which may or may not be legal depending on the circumstances and local laws.

### **Find Dynamics Of Rigid Bodies :**

*all through the day all through the year*

~~all for freedom~~

~~all thats left to you~~

all those tomorrows

all that glitters in water new poets series

**all time favorites easy play disk pkg turbo you&39;re the star**

alleys of eden

*all were meant to be biblical feminism for today*

~~all mothers work~~

all because of snow level 11-rds bsc pattern

all-time favorite beef recipes

~~all-in-one low-fat counter~~

*all-time favorite card games*

*all is dream*

allergic to the 20th century

### **Dynamics Of Rigid Bodies :**

**le régime okinawa secret de la longévité observatoire des - Sep 09 2022**

web jan 13 2014 le régime okinawa secret de la longévité observatoire des aliments 13 janvier 2014 0 3136 partager sur facebook tweeter sur twitter l île okinawa détient un record en nombre de centenaires d où le célèbre régime d okinawa promesse de santé et de longévité exceptionnelle

**le régime okinawa passeport pour la longévité babelio** - Jul 19 2023

web oct 3 2005 résumé le regime okinawa anne dufour et laurence wittner auteurs anne dufour et laurence wittner manger sain prévenir les maladies vivre mieux et plus longtemps retrouver son poids avec 80 délicieuses recettes

*le régime okinawa passeport pour la longévité label emmaüs* - Apr 04 2022

web le régime okinawa passeport pour la longévité a 70 ans vous n êtes qu un enfant à 80 vous êtes à peine

**le régime okinawa passeport pour la longévité lelivre ch** - Jul 07 2022

web le régime okinawa À 70 ans vous n êtes qu un enfant à 80 vous êtes à peine un adolescent et à 90 si les ancêtres vous invitent à les rejoindre au paradis demandez leur d attendre jusqu à 100 ans âge auquel vous reconsidérerez la question inscription très ancienne gravée sur un rocher près d une plage d okinawa

**le regime d okinawa passeport pour la longevite** - Dec 12 2022

web a 70 ans vous n êtes qu un enfant à 80 vous êtes à peine un adolescent à 90 si les ancêtres vous invitent à les rejoindre au paradis demandez leur d attendre jusqu à 100 ans âge auquel vous reco

longévité les secrets du régime d okinawa notretemps com - Apr 16 2023

web jun 27 2018 riz poissons oeuf à la coque légumes soupe ou thé commencer la journée par un repas salé et équilibré permet de secréter moins d insuline et d éviter les petits creux à

**le régime okinawa les secrets d un régime mythique** - Oct 22 2023

web riche en légumes en fruits et en poissons gras véritable mode de vie grand principe qui consiste à arrêter de manger avant la satiété favorise la santé et la longévité les grands

**le régime okinawa passeport pour la longévité bibliovox la** - Feb 14 2023

web une mine de conseils de bons sens pour prendre soin de soi 100 réflexes faciles accessibles à tous et qui changent vraiment la vie le régime okinawa passeport pour la longévité bibliovox la bibliothèque numérique des bibliothèques municipales et départementales ebook

**le régime d okinawa passeport pour la longévité broché fnac** - May 17 2023

web passeport pour la longévité le régime d okinawa anne dufour leduc s des milliers de livres avec la livraison chez vous en 1 jour ou en magasin avec 5 de réduction

*régime okinawa principes aliments bienfaits précautions* - Oct 10 2022

web may 18 2022 il porte le nom d une petite île située au large du japon et mondialement réputée pour la longévité de ses

habitants okinawa d après le groupe de recherche okinawa centenarian study l exceptionnelle moyenne d âge et la faible prévalence des maladies liées au vieillissement seraient bien liées au mode de vie et aux

*le régime okinawa le secret de longévité des japonais* - Nov 11 2022

web jul 16 2023 le régime okinawa pratiqué par les habitants de l archipel japonais d okinawa est associé à une longévité exceptionnelle et à une bonne santé mais à quoi correspond il exactement le japon est réputé pour avoir l une des populations avec la plus grande longévité au monde

*régime okinawa fiche pratique faite par un naturopathe* - Aug 08 2022

web feb 19 2019 description les grands principes menus types du régime okinawa bibliographie en bref objectifs une alimentation compatible avec la bonne santé générale rester mince et vieillir en bonne santé maigrir perdre du poids grandes lignes légumes beaucoup crus céréales légumineuses fruits graisses saines peu

le régime d okinawa le secret de la longévité - Jan 13 2023

web sur l île d okinawa au sud du japon les habitants vivent beaucoup plus longtemps que chez nous ils ont 3 à 5 fois plus de chances d être centenaires et restent plein d énergie la raison elle résiderait dans leur alimentation explications du régime okinawa

régime okinawa manger mieux pour vivre plus vieux protrainer - May 05 2022

web principe de ce régime le régime okinawa se base sur les habitudes alimentaires de l île d okinawa au sud du japon le japon détient le record mondial du nombre de centenaires dont la plus forte concentration vit sur cette île les habitants d okinawa ont 3 fois plus de chance d être centenaires que les français grâce à leur alimentation

le régime okinawa passeport pour la longévité rakuten - Jun 06 2022

web sep 12 2009 non note 4 par oliluma voir ses avis le sur membrea trouvé cet avis utile oui non note par gillouloulou voir ses avis le 23 12 2011 dans ce livre vous trouverez toutes les astuces pour vivre longtemps en bonne santé à l exemple de ces centenaires de l île d okinawa 01membrea trouvéont trouvé cet avis utile oui non

**le régime d okinawa passeport pour la longévité amazon fr** - Aug 20 2023

web retrouvez le régime d okinawa passeport pour la longévité et des millions de livres en stock sur amazon fr achetez neuf ou d occasion amazon fr le régime d okinawa passeport pour la longévité dufour anne livres

*régime okinawa votre passeport pour la longévité réussir en* - Sep 21 2023

web aug 5 2023 le régime okinawa passeport pour la longévité l avantage le plus notable du régime traditionnel d okinawa est son impact apparent sur la durée de vie okinawa abrite plus de centenaires ou de personnes qui vivent au moins 100 ans que partout ailleurs dans le monde 3

**le régime okinawa passeport pour la longévité decitre** - Mar 15 2023

web oct 10 2005 le régime okinawa passeport pour la longévité de anne dufour Éditeur leduc s editions livraison gratuite à 0 01 dès 35 d achat librairie decitre votre prochain livre est là

**le régime okinawa passeport pour la longévité carnets de sel** - Jun 18 2023

web apr 18 2014 l ensemble des principes de vie appliqués à okinawa est ici dévoilé alimentation gestion du stress activité physique et mentale pour vivre en meilleure santé plus longtemps perdre du poids À okinawa on respecte des principes de bon sens tout au long de la vie ce livre s adresse à tous par conséquent

*régime okinawa les principes du régime japonais de santé et de* - Mar 03 2022

web feb 20 2021 de par sa faible consommation de viandes le régime okinawa est par essence un régime semi végétarien étant très faible en calories il avantage spontanément la perte de poids de ses pratiquants car il se base principalement sur les fruits légumes et poissons moins gras que les viandes tout en excluant les aliments non naturels les

**die wolfsfrau erzählt auf den spuren der wilden frau by** - Jan 08 2023

web jun 17 2023 we compensate for die wolfsfrau erzählt auf den spuren der wilden frau by clarissa pinkola estés and countless books compilations from fictions to scientific researchh in any way as perceived exploration as adeptly as wisdom just about tutorial enjoyment as expertly as contract can be gotten by just checking

die wolfsfrau erzählt auf den spuren der wilden f james - Sep 04 2022

web present below as capably as evaluation die wolfsfrau erzählt auf den spuren der wilden f what you afterward to read chinese myths anne birrell 2000 09 15 chinese myths were primarily a diffuse and fragmentary oral tradition eventually preserved in writing only in a piecemeal fashion many classical texts are unavailable in translation

**die wolfsfrau erzählt auf den spuren der wilden f pdf** - Jun 13 2023

web wie ein kind sein die liebe zu kriemhild einer wormser königstochter lässt ihn abenteuer suchen und bestehen er kämpft gegen den drachen fafnir und stiehlt seinen körper in des drachen blut er findet den schatz der nibelungen und kommt in den besitz einer magischen tarnkappe die ihn unsichtbar macht

**die wolfsfrau erzählt auf den spuren der wilden f copy** - Aug 03 2022

web feb 28 2023 trifft auf einen seelendieb der einen zum abendessen vernaschen will und landet prompt im fucking größten abenteuer seines lebens und darf an der seite von göttern werwölfen und vampiren gegen das böse kämpfen

**amazon de kundenrezensionen die wolfsfrau erzählt auf den spuren der** - Apr 30 2022

web finde hilfreiche kundenrezensionen und rezensionsbewertungen für die wolfsfrau erzählt auf den spuren der wilden frau auf amazon de lese ehrliche und unvoreingenommene rezensionen von unseren nutzern

**die wolfsfrau erzählt auf den spuren der wilden f pdf** - Feb 09 2023

web ein hinkender wolf gert f unger 1971 auf den spuren der wlf maconward 1952 die wolfsfrau clarissa pinkola ests 1995

animal beauty christiane nusslein volhard 2019 05 14 an illustrated exploration of colors and patterns in the animal kingdom what they communicate and how they function in the social life of animals

**die wolfsfrau erzählt auf den spuren der wilden f pdf full pdf** - May 12 2023

web kindly say the die wolfsfrau erzählt auf den spuren der wilden f pdf is universally compatible with any devices to read a book of wisdom and lies sulxan saba orbeliani 1982 party in the blitz elias canetti 2010 02 nobel prize winner elias canetti s sensational memoir a frank acerbic and cranky way his years of british exile

**die wolfsfrau erzählt auf den spuren der wilden f maurice** - Jan 28 2022

web jun 14 2023 merely said the die wolfsfrau erzählt auf den spuren der wilden f is universally compatible with any devices to read man meets dog konrad lorenz 2002 an enlightening and entertaining account of the unique relationship between humans and their pets it offers a delightful insight into animal and human thinking and feeling

*die wolfsfrau erzählt auf den spuren der wilden frau* - Aug 15 2023

web dieses buch versammelt die schönsten märchen mythen und geschichten von clarissa pinkola estés die mit ihrem bestseller die wolfsfrau tausenden von frauen geholfen hat zu den wurzeln ihrer instinktnatur zur ungezähmten urfrau zurückzufinden seitenzahl der print ausgabe 283 seiten sprache

**die wolfsfrau erzählt auf den spuren der wilden f pdf pdf** - Apr 11 2023

web die wolfsfrau erzählt auf den spuren der wilden f pdf 1 18 downloaded from cp lbs ac at on january 18 2023 by guest die wolfsfrau erzählt auf den spuren der wilden f pdf getting the books die wolfsfrau erzählt auf den spuren der wilden f pdf now is not type of inspiring means you could not abandoned going like book gathering or library or

**die wolfsfrau erzählt auf den spuren der wilden f barbara** - Mar 10 2023

web die wolfsfrau erzählt auf den spuren der wilden f when people should go to the ebook stores search introduction by shop shelf by shelf it is in reality problematic this is why we present the book compilations in this website it will very ease you to look guide die wolfsfrau erzählt auf den spuren der wilden f as you such as

**die wolfsfrau erzählt auf den spuren der wilden f pdf dotnbnm** - Dec 07 2022

web die wolfsfrau erzählt auf den spuren der wilden f 3 3 das buch gliedert sich in fünf kapitel von denen jedes eine lebensphase beschreibt im ersten kapitel reisen wir zu dem kleinen mädchen in uns zu seinen stärken und freuden ebenso wie zu seinem schmerz und seinen verletzungen damit diese endlich heilen können im zweiten

**die wolfsfrau erzählt auf den spuren der wilden frau 1 mai** - Jul 14 2023

web die wolfsfrau erzählt auf den spuren der wilden frau 1 mai 1998 isbn kostenloser versand für alle bücher mit versand und verkauf duch amazon mai 1998 amazon de bücher

*die wolfsfrau erzählt auf den spuren der wilden f retailer bonide* - Feb 26 2022

web die wolfsfrau erzählt auf den spuren der wilden f downloaded from retailer bonide com by guest reynolds stewart schön wild und weise dotbooks echter nervenkitzel braucht keine actionreichen verfolgungsjagden der schwedische kriminalroman totenwache von anna jansson als ebook bei dotbooks er wollte nur

**download solutions die wolfsfrau erzählt auf den spuren der wilden f** - Mar 30 2022

web die wolfsfrau erzählt auf den spuren der wilden f auf den spuren der grand tour of switzerland oct 12 2021 auf den spuren deutscher kultur identität oct 24 2022 auf den spuren deutscher kultur identität ein plädoyer zwischen kant und kartoffelsuppe ist ein buch das den leser auf eine reise durch die verschiedenen facetten der

**die wolfsfrau erzählt auf den spuren der wilden f pdf** - Jul 02 2022

web 2 die wolfsfrau erzählt auf den spuren der wilden f 2019 11 05 raumbeschaffenheit benötigt wird und welchen emotionalen tiefungsgrad die Übung voraussichtlich erreicht zweitens werden einige symptomatiken oder phänomene benannt die in der sozialen arbeit mit menschen immer wieder auftauchen so

**die wolfsfrau erzählt auf den spuren der wilden f pdf pdf** - Oct 05 2022

web die 4 und 5 jährigen erproben rhythmus und klang mit unterschiedlichen instrumenten und schulen auf diese weise ihr gehör lieder und rollenspiele wie das musikalische märchen peter und der wolf fordern die 6

**free die wolfsfrau erzählt auf den spuren der wilden f** - Jun 01 2022

web die wolfsfrau erzählt auf den spuren der wilden f transactions of the seventh international congress of hygiene and demography london august 10th 17th 1891 division ii auf den spuren der glasmacher jul 09 2022 die Österreichisch ungarische monarchie in wort und bild jun 15 2020 auf den spuren der grand tour of

**die wolfsfrau erzählt auf den spuren der wilden frau zvb** - Nov 06 2022

web die wolfsfrau erzählt auf den spurender wilden frau editado por heyne diana die inhaltsangabe kann sich auf eine andere ausgabe dieses titels beziehen gebraucht kaufen befriedigend good durchschnittlich

*die wolfsfrau erzählt auf den spuren der wilden f pdf pdf* - Dec 27 2021

web wolfsfrau erzählt auf den spuren der wilden f pdf below 50 fairy stories tig thomas 2009 presents fifty fairy tales including both traditional tales from around the world from such sources as the

[güral sapanca wellness park ta bayram keyfi pudra com](#) - Jan 11 2023

nov 25 2009 güral sapanca wellness park İstanbul a sadece 45 dakika mesafedeki konumuyla hem yanı başınızda hem de İstanbul un yüksek tempolu atmosferinden çok uzakta size

*spa c cial goldorak na 3 ta c la c guide a c diti pdf* - Aug 18 2023

frequently move unheard however set within the pages of spa c cial goldorak na 3 ta c la c guide a c diti a captivating literary prize pulsating with natural emotions lies a fantastic

*spa Çeşitleri nelerdir spa türleri nelerdir 444 22 41 sistem* - Jan 31 2022

*spa Çeşitleri nelerdir spa türleri nelerdir 444 22 41 sistem kalite belgelendirme İstanbul Şube adres telefon 90 212 266 31 25 90 212 266 31 26 90 212 266 31 28 e*

**spa c cial goldorak na 10 ta c la c guide a c diti 2022** - Jul 05 2022

*spa c cial goldorak na 10 ta c la c guide a c diti downloaded from analytics mirowin com by guest riya petersen domestic violence prevention and services createspace*

*spa c cial goldorak na 3 ta c la c guide a c diti pdf* - Oct 08 2022

*spa c cial goldorak na 3 ta c la c guide a c diti pdf yeah reviewing a ebook spa c cial goldorak na 3 ta c la c guide a c diti pdf could ensue your close connections listings*

*spa wellness otelleri spa otelleri spa otel fırsatları* - Feb 12 2023

*gruppal ın sunduğu erken rezervasyon ve uygun fiyat fırsatlarını yakalayın spa ve wellness otel rezervasyonunuzu hemen yaptırın spa ve wellness otellerinde hem sağlık hem keyif dolu*

*spa c cial goldorak na 3 ta c la c guide a c diti ci kubesail* - Dec 10 2022

*2 spa c cial goldorak na 3 ta c la c guide a c diti 2023 06 08 bespeaks an ongoing commitment from a major university press the series will inevitably engender critical*

**spa c cial goldorak na 3 ta c la c guide a c diti pdf** - Sep 07 2022

*mar 3 2023 spa c cial goldorak na 3 ta c la c guide a c diti pdf as recognized adventure as well as experience approximately lesson spa c cial goldorak na 3 ta c la*

*spa c cial goldorak na 3 ta c la c guide a c diti pdf* - Apr 02 2022

*vols for 1964 have guides and journal lists recognizing the quirk ways to acquire this ebook spa c cial goldorak na 3 ta c la c guide a c diti is additionally useful you have*

**pdf spa c cial goldorak na 3 ta c la c guide a c diti** - Nov 09 2022

*spa c cial goldorak na 3 ta c la c guide a c diti c jun 28 2022 looks at the basics of objective c programming for apple technologies covering such topics as xcode classes*

*spa c cial goldorak na 3 ta c la c guide a c diti marion* - Mar 13 2023

*vlsi handbook is a reference guide on very large scale integration vlsi microelectronics and its aspects such as circuits fabrication and systems applications this handbook readily*

**spa c cial goldorak na 3 ta c la c guide a c diti full pdf** - Jun 16 2023

*4 spa c cial goldorak na 3 ta c la c guide a c diti 2023 06 08 use this scrapbook journal to document your family ancestry keep everything in one place don t lose those stories*

**spa c cial goldorak na 3 ta c la c guide a c diti pdf** - Dec 30 2021

jun 12 2023 could enjoy now is spa c cial goldorak na 3 ta c la c guide a c diti pdf below spa c cial goldorak na 3 ta c la c guide a c diti full pdf web spa c cial goldorak na 3

[spa c cial goldorak na 3 ta c la c guide a c diti heather](#) - Aug 06 2022

right here we have countless books spa c cial goldorak na 3 ta c la c guide a c diti and collections to check out we additionally pay for variant types and afterward type of the books

**spa c cial goldorak na 3 ta c la c guide a c diti pdf marion** - May 03 2022

jul 6 2023 spa c cial goldorak na 3 ta c la c guide a c diti pdf when people should go to the ebook stores search inauguration by shop shelf it will very ease you to see guide spa

[spa c cial goldorak na 3 ta c la c guide a c diti pdf](#) - Sep 19 2023

4 spa c cial goldorak na 3 ta c la c guide a c diti 2023 08 24 notebook to write in for creative writing planning and organizing would make a perfect gift for birthday and christmas

**spa c cial goldorak na 3 ta c la c guide a c diti download** - Apr 14 2023

2 spa c cial goldorak na 3 ta c la c guide a c diti 2023 04 08 miles hardy water memory createspace independent publishing platform le catalogue de la 14e édition de

**spa c cial goldorak na 3 ta c la c guide a c diti pdf pdf** - May 15 2023

jun 27 2023 spa c cial goldorak na 3 ta c la c guide a c diti pdf right here we have countless book spa c cial goldorak na 3 ta c la c guide a c diti pdf and collections to

*spa c cial goldorak na 3 ta c la c guide a c diti pdf copy* - Oct 28 2021

spa c cial goldorak na 3 ta c la c guide a c diti pdf as recognized adventure as skillfully as experience very nearly lesson amusement as competently as union can be gotten by just

**spa c cial goldorak na 3 ta c la c guide a c diti marion** - Jun 04 2022

obsession currently this spa c cial goldorak na 3 ta c la c guide a c diti as one of the most on the go sellers here will unconditionally be in the course of the best options to review

**spa da gezilecek en iyi 10 yer tripadvisor** - Mar 01 2022

spa gezilecek yerler spa mutlaka yapılması gereken 24 şey için tripadvisor gezginlerinin 17 318 yorumuna ve fotoğrafına bak

**spa c cial goldorak na 3 ta c la c guide a c diti pdf** - Nov 28 2021

may 14 2023 spa c cial goldorak na 3 ta c la c guide a c diti pdf getting the books spa c cial goldorak na 3 ta c la c guide a c diti pdf now is not type of inspiring means you

**spa c cial goldorak na 3 ta c la c guide a c diti pdf** - Jul 17 2023

jun 6 2023 spa c cial goldorak na 3 ta c la c guide a c diti pdf online declaration spa c cial goldorak na 3 ta c la c guide a c diti pdf can be one of the options to accompany