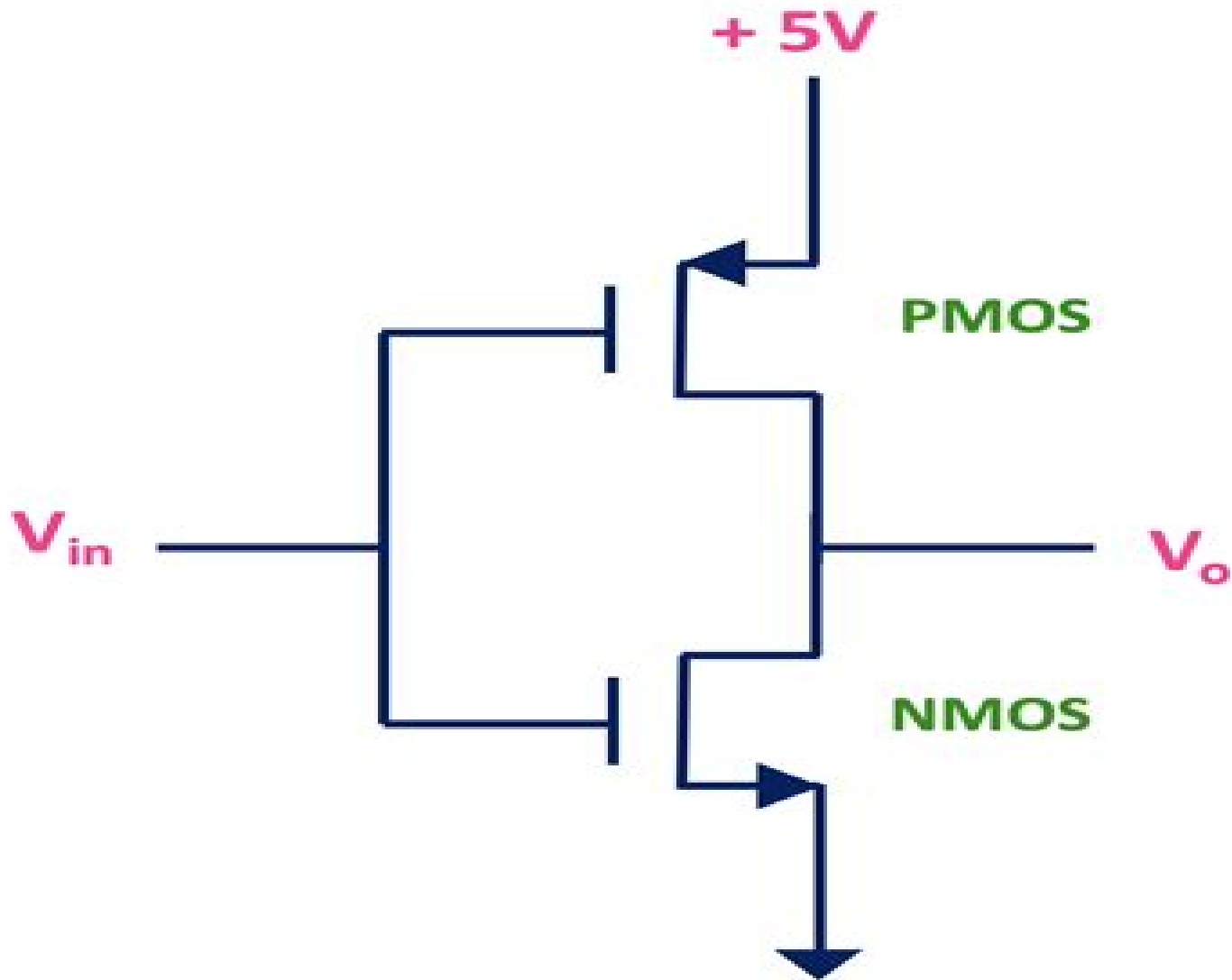


CMOS Inverter



Choosing And Using Cmos

RJ Shavelson



Choosing And Using Cmos:

The Captivating Realm of E-book Books: A Comprehensive Guide Revealing the Benefits of Kindle Books: A World of Ease and Versatility Kindle books, with their inherent mobility and simplicity of availability, have freed readers from the constraints of hardcopy books. Gone are the days of carrying cumbersome novels or meticulously searching for specific titles in bookstores. E-book devices, stylish and lightweight, seamlessly store an extensive library of books, allowing readers to immerse in their preferred reads whenever, anywhere. Whether commuting on a busy train, relaxing on a sunny beach, or simply cozying up in bed, E-book books provide an unparalleled level of convenience. A Literary Universe Unfolded: Discovering the Wide Array of Kindle Choosing And Using Cmos Choosing And Using Cmos The E-book Shop, a virtual treasure trove of bookish gems, boasts an extensive collection of books spanning diverse genres, catering to every readers taste and choice. From captivating fiction and mind-stimulating non-fiction to classic classics and contemporary bestsellers, the E-book Shop offers an unparalleled abundance of titles to discover. Whether looking for escape through engrossing tales of imagination and exploration, diving into the depths of historical narratives, or expanding ones knowledge with insightful works of science and philosophy, the E-book Store provides a gateway to a bookish universe brimming with limitless possibilities. A Transformative Factor in the Literary Scene: The Lasting Impact of Kindle Books Choosing And Using Cmos The advent of Kindle books has certainly reshaped the literary landscape, introducing a model shift in the way books are released, distributed, and consumed. Traditional publishing houses have embraced the online revolution, adapting their strategies to accommodate the growing need for e-books. This has led to a rise in the accessibility of Kindle titles, ensuring that readers have entry to a vast array of bookish works at their fingers. Moreover, Kindle books have democratized entry to books, breaking down geographical barriers and offering readers worldwide with similar opportunities to engage with the written word. Irrespective of their place or socioeconomic background, individuals can now immerse themselves in the captivating world of literature, fostering a global community of readers. Conclusion: Embracing the E-book Experience Choosing And Using Cmos E-book books Choosing And Using Cmos, with their inherent convenience, flexibility, and wide array of titles, have undoubtedly transformed the way we encounter literature. They offer readers the freedom to discover the boundless realm of written expression, whenever, anywhere. As we continue to travel the ever-evolving online landscape, E-book books stand as a testament to the enduring power of storytelling, ensuring that the joy of reading remains accessible to all.

<https://gandalf.roeckerfam.com/results/detail/HomePages/easy%20nitrox%20diving%20nitrox%20diving%20using%20dive%20computers.pdf>

Table of Contents Choosing And Using Cmos

1. Understanding the eBook Choosing And Using Cmos
 - The Rise of Digital Reading Choosing And Using Cmos
 - Advantages of eBooks Over Traditional Books
2. Identifying Choosing And Using Cmos
 - Exploring Different Genres
 - Considering Fiction vs. Non-Fiction
 - Determining Your Reading Goals
3. Choosing the Right eBook Platform
 - Popular eBook Platforms
 - Features to Look for in an Choosing And Using Cmos
 - User-Friendly Interface
4. Exploring eBook Recommendations from Choosing And Using Cmos
 - Personalized Recommendations
 - Choosing And Using Cmos User Reviews and Ratings
 - Choosing And Using Cmos and Bestseller Lists
5. Accessing Choosing And Using Cmos Free and Paid eBooks
 - Choosing And Using Cmos Public Domain eBooks
 - Choosing And Using Cmos eBook Subscription Services
 - Choosing And Using Cmos Budget-Friendly Options
6. Navigating Choosing And Using Cmos eBook Formats
 - ePub, PDF, MOBI, and More
 - Choosing And Using Cmos Compatibility with Devices
 - Choosing And Using Cmos Enhanced eBook Features
7. Enhancing Your Reading Experience
 - Adjustable Fonts and Text Sizes of Choosing And Using Cmos
 - Highlighting and Note-Taking Choosing And Using Cmos
 - Interactive Elements Choosing And Using Cmos
8. Staying Engaged with Choosing And Using Cmos

- Joining Online Reading Communities
 - Participating in Virtual Book Clubs
 - Following Authors and Publishers Choosing And Using Cmos
9. Balancing eBooks and Physical Books Choosing And Using Cmos
- Benefits of a Digital Library
 - Creating a Diverse Reading Collection Choosing And Using Cmos
10. Overcoming Reading Challenges
- Dealing with Digital Eye Strain
 - Minimizing Distractions
 - Managing Screen Time
11. Cultivating a Reading Routine Choosing And Using Cmos
- Setting Reading Goals Choosing And Using Cmos
 - Carving Out Dedicated Reading Time
12. Sourcing Reliable Information of Choosing And Using Cmos
- Fact-Checking eBook Content of Choosing And Using Cmos
 - Distinguishing Credible Sources
13. Promoting Lifelong Learning
- Utilizing eBooks for Skill Development
 - Exploring Educational eBooks
14. Embracing eBook Trends
- Integration of Multimedia Elements
 - Interactive and Gamified eBooks

Choosing And Using Cmos Introduction

In today's digital age, the availability of Choosing And Using Cmos books and manuals for download has revolutionized the way we access information. Gone are the days of physically flipping through pages and carrying heavy textbooks or manuals. With just a few clicks, we can now access a wealth of knowledge from the comfort of our own homes or on the go. This article will explore the advantages of Choosing And Using Cmos books and manuals for download, along with some popular platforms that offer these resources. One of the significant advantages of Choosing And Using Cmos books and manuals for download is the cost-saving aspect. Traditional books and manuals can be costly, especially if you need to purchase several of

them for educational or professional purposes. By accessing Choosing And Using Cmos versions, you eliminate the need to spend money on physical copies. This not only saves you money but also reduces the environmental impact associated with book production and transportation. Furthermore, Choosing And Using Cmos books and manuals for download are incredibly convenient. With just a computer or smartphone and an internet connection, you can access a vast library of resources on any subject imaginable. Whether you're a student looking for textbooks, a professional seeking industry-specific manuals, or someone interested in self-improvement, these digital resources provide an efficient and accessible means of acquiring knowledge. Moreover, PDF books and manuals offer a range of benefits compared to other digital formats. PDF files are designed to retain their formatting regardless of the device used to open them. This ensures that the content appears exactly as intended by the author, with no loss of formatting or missing graphics. Additionally, PDF files can be easily annotated, bookmarked, and searched for specific terms, making them highly practical for studying or referencing. When it comes to accessing Choosing And Using Cmos books and manuals, several platforms offer an extensive collection of resources. One such platform is Project Gutenberg, a nonprofit organization that provides over 60,000 free eBooks. These books are primarily in the public domain, meaning they can be freely distributed and downloaded. Project Gutenberg offers a wide range of classic literature, making it an excellent resource for literature enthusiasts. Another popular platform for Choosing And Using Cmos books and manuals is Open Library. Open Library is an initiative of the Internet Archive, a non-profit organization dedicated to digitizing cultural artifacts and making them accessible to the public. Open Library hosts millions of books, including both public domain works and contemporary titles. It also allows users to borrow digital copies of certain books for a limited period, similar to a library lending system. Additionally, many universities and educational institutions have their own digital libraries that provide free access to PDF books and manuals. These libraries often offer academic texts, research papers, and technical manuals, making them invaluable resources for students and researchers. Some notable examples include MIT OpenCourseWare, which offers free access to course materials from the Massachusetts Institute of Technology, and the Digital Public Library of America, which provides a vast collection of digitized books and historical documents. In conclusion, Choosing And Using Cmos books and manuals for download have transformed the way we access information. They provide a cost-effective and convenient means of acquiring knowledge, offering the ability to access a vast library of resources at our fingertips. With platforms like Project Gutenberg, Open Library, and various digital libraries offered by educational institutions, we have access to an ever-expanding collection of books and manuals. Whether for educational, professional, or personal purposes, these digital resources serve as valuable tools for continuous learning and self-improvement. So why not take advantage of the vast world of Choosing And Using Cmos books and manuals for download and embark on your journey of knowledge?

FAQs About Choosing And Using Cmos Books

How do I know which eBook platform is the best for me? Finding the best eBook platform depends on your reading preferences and device compatibility. Research different platforms, read user reviews, and explore their features before making a choice. Are free eBooks of good quality? Yes, many reputable platforms offer high-quality free eBooks, including classics and public domain works. However, make sure to verify the source to ensure the eBook credibility. Can I read eBooks without an eReader? Absolutely! Most eBook platforms offer web-based readers or mobile apps that allow you to read eBooks on your computer, tablet, or smartphone. How do I avoid digital eye strain while reading eBooks? To prevent digital eye strain, take regular breaks, adjust the font size and background color, and ensure proper lighting while reading eBooks. What the advantage of interactive eBooks? Interactive eBooks incorporate multimedia elements, quizzes, and activities, enhancing the reader engagement and providing a more immersive learning experience. Choosing And Using Cmos is one of the best book in our library for free trial. We provide copy of Choosing And Using Cmos in digital format, so the resources that you find are reliable. There are also many Ebooks of related with Choosing And Using Cmos. Where to download Choosing And Using Cmos online for free? Are you looking for Choosing And Using Cmos PDF? This is definitely going to save you time and cash in something you should think about.

Find Choosing And Using Cmos :

easy nitrox diving nitrox diving using dive computers

eber luduena 2 mis lesiones de futbol

easywriter a pocket guide with 2003 mla update

~~ecodynamics a new theory of societal evolution~~

ebence of julian a paraphrase of julian of norwichs revelations of divine love

ecconomics pacemaker

eck duets for horn/trombone

ebential gita 64 key verses from the bhagavad gita

ecdl4 the complete coursebook for microsoft office 2003

echoes of the white giraffe

ecgs made easy study cards

ebony cross

ebays on design agis designers of influence

eating lean

echoes of the call identity and ideology among american missionaries in ecuador

Choosing And Using Cmos :

libro d ombra by jun ichirō tanizaki the storygraph - Dec 12 2021

libro d ombra junichiro tanizaki google books - Feb 23 2023

web sep 25 2018 libro d ombra italian edition kindle edition by tanizaki jun ichiro mariotti giovanni suga atsuko ricca download it once and read it on your kindle

libro d ombra tanizaki jun ichiro amazon com tr - Jul 31 2023

web read 2 064 reviews from the world s largest community for readers a fully illustrated beautifully produced edition of junichiro tanizaki s wise and evoca

libro d ombra junichiro tanizaki libro bompiani i - Sep 01 2023

web libro d ombra tanizaki jun ichiro amazon com tr Çerez tercihlerinizi seçin Çerez bildirimimizde bağlantı detaylandırıldığı üzere satın alım yapmanızı sağlamak

libro d ombra bompiani - Mar 27 2023

web libro d ombra letteratura universale by tanizaki junichiro isbn 10 8829716391 isbn 13 9788829716395 marsilio 2022 softcover

libro d ombra paperback 1 february 2017 amazon com au - Sep 20 2022

web libro d ombra jun ichirō tanizaki 89 pages first pub 1933 isbn uid 9788858780633 format digital language french publisher not specified publication date not

libro d ombra letteratura universale softcover abebooks - Jan 25 2023

web mar 15 2017 libro d ombra tascabili varia italian edition jun ichirō tanizaki mariotti giovanni ricca suga atsuko 9788845292996 amazon com books books literature

libro d ombra wikipedia - Oct 02 2023

libro d ombra 影の法師 in ei raisan è un saggio dello scrittore giapponese jun ichirō tanizaki pubblicato nel 1933 tanizaki si sofferma sul fascino dell ombra esaltato dalla cultura tradizionale giapponese e messo in pericolo dal diffondersi dei modi della civiltà occidentale È la bellezza dei gabinetti tradizionali distanti dall abitazione ed immersi nell o

libro d ombra junichirō tanizaki google books - Feb 11 2022

web libro d ombra jun ichirō tanizaki with atsuko ricca suga translator 96 pages first pub 1933 isbn uid 9788845292996

format paperback language italian publisher

libro dombra by tanizaki junichiro abebooks - Jun 17 2022

web d amore e ombra isabel allende scheda del libro riassunto e risposta alle domande più significative 2 pagine formato doc

isabel allende d amore e ombra isabel allende

libro d ombra formato kindle amazon it - Apr 27 2023

web libro d ombra junichiro tanizaki bompiani 1984 literary collections 118 pages

libro d ombra italian edition kindle edition amazon com - Dec 24 2022

web italian it epub 0 5mb jun ichiro tanizaki libro d ombra bompiani epub

d amore e ombra isabel allende scheda libro di italiano gratis - Apr 15 2022

web libro d ombra junichirō tanizaki bompiani 2000 literary collections 96 pages fra i sensi l'occidente ha privilegiato la vista da cui è partito per la sua geometrizzazione

libro d ombra by jun ichirō tanizaki the storygraph - Jul 19 2022

web libro d ombra inproceedings 1987librod title libro d ombra author □□ □□□ and giovanni mariotti and gian carlo calza and atsuko ricca suga year 1987 □□

libro d ombra semantic scholar - May 17 2022

web oct 19 2017 libro d ombra di junichiro tanikazi l'autore vuole sottolineare l'importanza di trovare degli espedienti per convogliare perfettamente l'elegante e fine

libro d ombra tascabili varia italian edition amazon com - Nov 22 2022

web libro d ombra tanizaki junichiro mariotti giovanni ricca suga atsuko amazon com au books

libro d ombra anna s archive - Oct 22 2022

web may 3 2020 juichiro tanizaki libro d ombra fa fotografia dell'architettura 815 subscribers subscribe share 491 views 3 years ago libridaleggere lettura fotografia

libro d ombra by jun ichiro tanizaki books on google play - Jan 13 2022

libro d ombra tanizaki junichiro amazon com tr kitap - May 29 2023

web libro d ombra formato kindle fra i sensi l'occidente ha privilegiato la vista da cui è partito per la sua geometrizzazione dell'esperienza e ha così svalutato altre sensazioni

libro d ombra by jun ichirō tanizaki goodreads - Jun 29 2023

web libro d ombra tanizaki junichiro amazon com tr kitap Çerez tercihlerinizi seçin Çerez bildirimimizde ayrıntılı şekilde açıklandığı üzere alışveriş yapmanızı sağlamak alışveriş

juichiro tanizaki libro d ombra youtube - Aug 20 2022

web libro d ombra by tanizaki junichiro and a great selection of related books art and collectibles available now at abebooks co uk

riassunto di libro d ombra docsity - Mar 15 2022

web libro d ombra ebook written by jun ichiro tanizaki read this book using google play books app on your pc android ios devices download for offline reading highlight

all my rivers are gone a journey of discovery through glen - Mar 10 2023

web all my rivers are gone a journey of discovery through glen canyon katie lee johnson books 30 240pp isbn 978 1 55566 228 8

all my rivers are gone a journey of discovery through glen canyon - Jul 14 2023

web oct 1 1998 there is a newer edition of this item all my rivers are gone a journey of discovery through glen canyon 14 98 in stock katie lee s all my rivers are gone is a unique book it is a journal filled with strong emotions about a wondrous place on the american landscape

all my rivers are gone a journey of discovery through glen - Oct 05 2022

web abebooks com all my rivers are gone a journey of discovery through glen canyon 9781555662288 by lee katie williams terry tempest and a great selection of similar new used and collectible books available now at great prices

all my rivers are gone a journey of discovery through glen - Feb 09 2023

web all my rivers are gone a journey of discovery through glen canyon lee katie kaiya on the mountain amazon sg books

all my rivers are gone a journey of discovery through glen - Apr 11 2023

web glen canyon and the river that ran through it had changed her life her descriptions of a magnificent desert oasis and its rich archaeological ruins are a paeon to paradise lost in 1963 the us

all my rivers are gone a journey of discovery through glen - Jun 13 2023

web apr 7 2023 all my rivers are gone a journey of discovery through glen canyon reveals her personal connection with the colorado river and the fight to stop the building of the glen canyon dam her documentary the

all my rivers are gone a journey of discovery through glen - Apr 30 2022

web find many great new used options and get the best deals for all my rivers are gone a journey of discovery through glen canyon by katie lee book 2021 at the best online prices at ebay free delivery for many products

all my rivers are gone a journey of discovery through glen - Nov 06 2022

web david brower who has always regretted the sierra club s failure to save the glen canyon called it the place no one knew but katie lee was among a handful of people who knew the 170 miles of glen canyon very well she d made sixteen trips down

the river even named some of the side canyons glen canyon and the river that ran through it had

all my rivers are gone a journey of discovery through glen - May 12 2023

web all my rivers are gone a journey of discovery through glen canyon katie lee big earth publishing 1998 glen canyon utah and ariz 260 pages david brower who has always regretted the

all my rivers are gone a journey of discovery through glen - Aug 03 2022

web buy all my rivers are gone a journey of discovery through glen canyon by lee katie kaiya on the mountain online on amazon ae at best prices fast and free shipping free returns cash on delivery available on eligible purchase

all my rivers are gone a journey of discovery through - Aug 15 2023

web jan 1 1998 it is part autobiography part river journal part reflection on what was and how to return glen to its former glory this book wonderfully captures the spirit of the river as it wound its way through glen canyon and how we all need wilderness this was a re published and updated version of all my rivers are gone with a new afterword by lee

pdf kindle all my rivers are gone a journey of discovery - Dec 27 2021

web jul 8 2022 bestseller author of all my rivers are gone a journey of discovery through glen canyon new ebook or audio book available for download more ebooks pdf download angor la braise read book pdf download l 039 Île des esclaves la colonie suivi d 039 une anthologie sur les utopies site

all my rivers are gone a journey of discovery through glen canyon by - Mar 30 2022

web find many great new used options and get the best deals for all my rivers are gone a journey of discovery through glen canyon by katie lee 1998 hardcover at the best online prices at ebay free shipping for many products all my rivers are gone a journey of discovery through glen canyon by katie lee 1998 hardcover for sale

katie lee s all my rivers are gone npr - Jan 08 2023

web oct 12 1999 8 36 8 47 katie lee s memior all my rivers are gone a journey of discovery through glen canyon is published by johnson books isbn 1555662285

all my rivers are gone a journey of discovery through glen - Jul 02 2022

web abebooks com all my rivers are gone a journey of discovery through glen canyon 9781555662295 by lee katie and a great selection of similar new used and collectible books available now at great prices

all my rivers are gone a journey of discovery thr rc spectrallabs - Jan 28 2022

web all my rivers are gone a journey of discovery thr 1 all my rivers are gone a journey of discovery thr one river the girl that vanished these are my rivers river of teeth a perfect storm river of the gods the rivers ran east the river between us before we go extinct what is real the last sin eater sandstone seduction ghostwest

all my rivers are gone a journey of discovery through glen - Sep 04 2022

[amazon com ethiopian orthodox bible](#) - Dec 26 2021

[bible translations into amharic wikipedia](#) - May 31 2022

web check out our ethiopian orthodox bible amharic selection for the very best in unique or custom handmade pieces from our religion spirituality books shops

[geez amharic bible ቅዱስ ጳጳስ ጳጳስ apps on](#) - May 11 2023

web the ethiopian orthodox tewahido church faith and order ethiopianorthodox org ethiopianorthodox org v ctÑÃ f 5qh z 2fto q ct 7o v t q È Ñh qdv xf9 µÌ 2

[ቅዱስ ጳጳስ free download borrow and streaming internet](#) - Apr 29 2022

web the ethiopian orthodox tewahido church faith and order ethiopianorthodox org ethiopianorthodox org v ctÑÃ f 5qh z 2fto q ct 7o v t q È Ñh qdv xf9 µÌ 2

h ai the ethiopian orthodox tewahido church faith and order - Jan 07 2023

web bible translations into amharic although christianity became the state religion of ethiopia in the 4th century and the bible was first translated into ge ez at about that time only in