

5 m

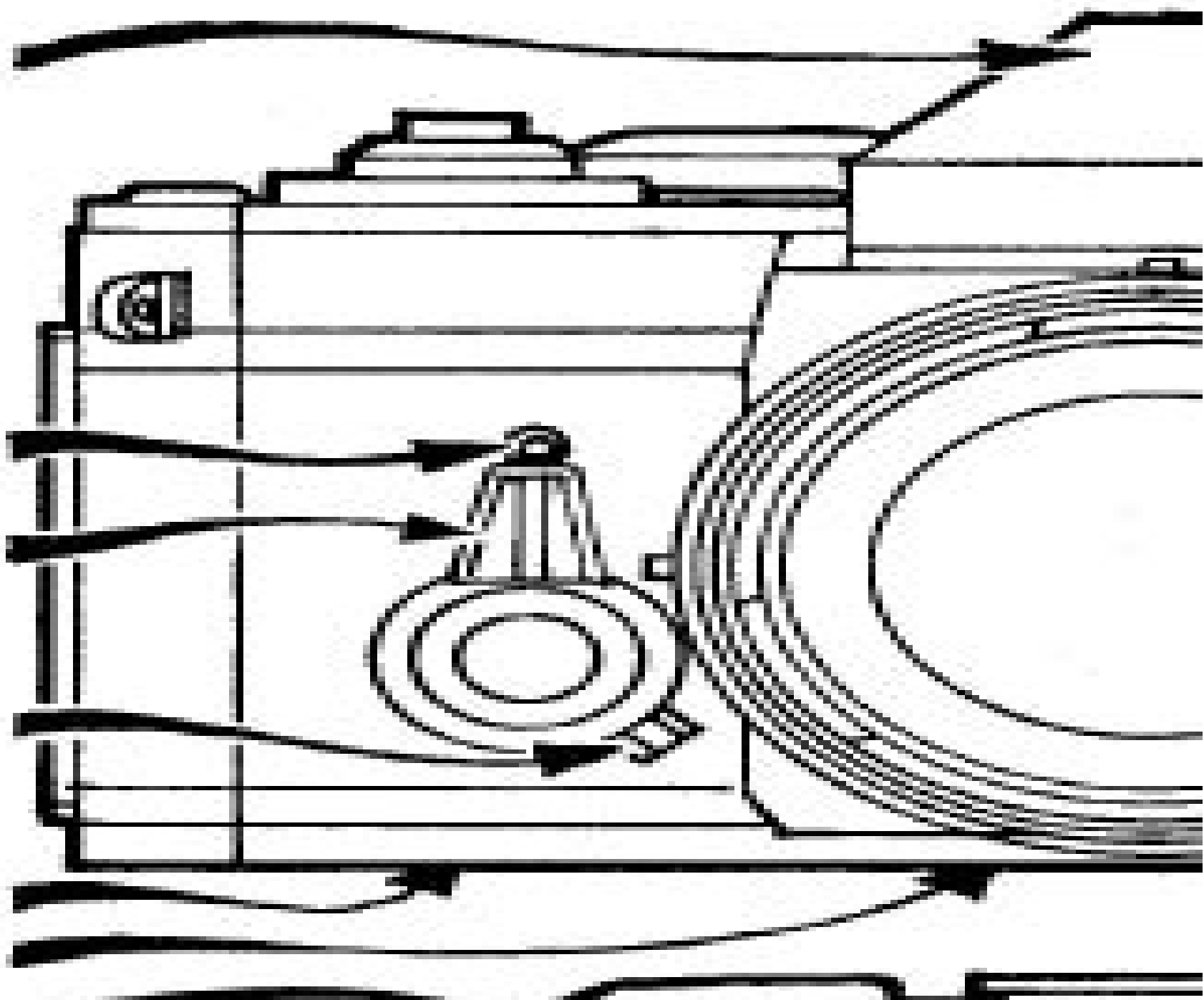
back

nose
over

over

ion

ket



Canon Reflex Guide

Michael Guncheon



Canon Reflex Guide:

Canon Reflex Guide W. D. Emanuel,1981-01-01 *Canon Reflex Guide: how to Use the Canon QLFT, Pellix, Canon FX, FP, EE EX* Walter Daniel Emanuel,1970-01-01 Canon Reflex Guide: how to Use the Canon FTQL, FTb, FTbn, Pellix, Canon FX, FP, EX EE, EX Auto, Canon F-1 and EF. Walter Daniel Emanuel,1973 **Canon Reflex Guide** Walter Daniel Emanuel,1975 **Canon Reflex Guide** W. D. Emanuel,1970 **Canon Reflex Guide** W. D. Emanuel,1973 **Canon Reflex Guide** Walter Daniel Emanuel,1979 **Canon EOS 70D Digital Field Guide** Charlotte K. Lowrie,2013-11-14 Get professional results with your new Canon EOS 70D thanks to this portable guide If you want more instruction on your Canon 70D than the manual can offer you this book is what you need Packed with photography how tos and no fail formulas for getting great results this handy guide goes above and beyond competitive digital SLR books with step by step techniques professional shooting tips and more Learn how to take advantage of the advanced features of your new camera with pages of helpful examples and dazzling full color photographs Take this portable reference in your kit when shooting in the field Provides no fail techniques for getting the most out of your Canon EOS 70D Covers the Canon 70D s new features Teaches you photography essentials such as composition exposure perspective and more Includes a grey and color card checker and full instructions as well as a very helpful color checker card to help you capture perfect color in any environment Take your photography skills to another level with photography tips and tricks and the individualized instruction you need to make the most of your new Canon EOS 70D **The Publishers' Trade List Annual** ,1978 **The Photoguide to 35 Mm** Leonard Gaunt,1975 **Magic Lantern Guides: Canon EOS Rebel T1i/EOS 500D** Michael Guncheon,2009 By photographers for photographers Magic Lantern Guides help you get the most from your gear Written specifically for each individual model these books don t water down the hard core information with general how tos they cover every feature and menu option in easy to follow language unravel the mysteries of flash and offer expert explanations of how to use a camera s special functions And now they re totally redesigned in full colour and looking better than ever **Lens Work** ,1981 **Guide to Retouching Negatives and Prints** Kitty West,1972 **National Union Catalog** ,1978 The Publishers' Trade List Annual R. R. Bowker LLC,1972 **The Asahi Pentax Book for ME, MX, K2, KX, KM and K1000 Users** Clyde Reynolds,1978 *National Union Catalog* Library of Congress,1979 Includes entries for maps and atlases **Library of Congress Catalogs** Library of Congress,1976 **Library of Congress Catalog** Library of Congress,1970 A cumulative list of works represented by Library of Congress printed cards The British Journal of Photography William Crookes,T. A. Malone,George Shadbolt,John Traill Taylor,William Blanchard Bolton,Thomas Bedding,1914

Right here, we have countless books **Canon Reflex Guide** and collections to check out. We additionally offer variant types and plus type of the books to browse. The within acceptable limits book, fiction, history, novel, scientific research, as without difficulty as various further sorts of books are readily handy here.

As this Canon Reflex Guide, it ends taking place monster one of the favored ebook Canon Reflex Guide collections that we have. This is why you remain in the best website to look the incredible ebook to have.

https://gandalf.roeckerfam.com/About/browse/default.aspx/duplo_dno.pdf

Table of Contents Canon Reflex Guide

1. Understanding the eBook Canon Reflex Guide
 - The Rise of Digital Reading Canon Reflex Guide
 - Advantages of eBooks Over Traditional Books
2. Identifying Canon Reflex Guide
 - Exploring Different Genres
 - Considering Fiction vs. Non-Fiction
 - Determining Your Reading Goals
3. Choosing the Right eBook Platform
 - Popular eBook Platforms
 - Features to Look for in an Canon Reflex Guide
 - User-Friendly Interface
4. Exploring eBook Recommendations from Canon Reflex Guide
 - Personalized Recommendations
 - Canon Reflex Guide User Reviews and Ratings
 - Canon Reflex Guide and Bestseller Lists
5. Accessing Canon Reflex Guide Free and Paid eBooks
 - Canon Reflex Guide Public Domain eBooks

- Canon Reflex Guide eBook Subscription Services
- Canon Reflex Guide Budget-Friendly Options
- 6. Navigating Canon Reflex Guide eBook Formats
 - ePub, PDF, MOBI, and More
 - Canon Reflex Guide Compatibility with Devices
 - Canon Reflex Guide Enhanced eBook Features
- 7. Enhancing Your Reading Experience
 - Adjustable Fonts and Text Sizes of Canon Reflex Guide
 - Highlighting and Note-Taking Canon Reflex Guide
 - Interactive Elements Canon Reflex Guide
- 8. Staying Engaged with Canon Reflex Guide
 - Joining Online Reading Communities
 - Participating in Virtual Book Clubs
 - Following Authors and Publishers Canon Reflex Guide
- 9. Balancing eBooks and Physical Books Canon Reflex Guide
 - Benefits of a Digital Library
 - Creating a Diverse Reading Collection Canon Reflex Guide
- 10. Overcoming Reading Challenges
 - Dealing with Digital Eye Strain
 - Minimizing Distractions
 - Managing Screen Time
- 11. Cultivating a Reading Routine Canon Reflex Guide
 - Setting Reading Goals Canon Reflex Guide
 - Carving Out Dedicated Reading Time
- 12. Sourcing Reliable Information of Canon Reflex Guide
 - Fact-Checking eBook Content of Canon Reflex Guide
 - Distinguishing Credible Sources
- 13. Promoting Lifelong Learning
 - Utilizing eBooks for Skill Development
 - Exploring Educational eBooks

14. Embracing eBook Trends

- Integration of Multimedia Elements
- Interactive and Gamified eBooks

Canon Reflex Guide Introduction

Free PDF Books and Manuals for Download: Unlocking Knowledge at Your Fingertips In today's fast-paced digital age, obtaining valuable knowledge has become easier than ever. Thanks to the internet, a vast array of books and manuals are now available for free download in PDF format. Whether you are a student, professional, or simply an avid reader, this treasure trove of downloadable resources offers a wealth of information, conveniently accessible anytime, anywhere. The advent of online libraries and platforms dedicated to sharing knowledge has revolutionized the way we consume information. No longer confined to physical libraries or bookstores, readers can now access an extensive collection of digital books and manuals with just a few clicks. These resources, available in PDF, Microsoft Word, and PowerPoint formats, cater to a wide range of interests, including literature, technology, science, history, and much more. One notable platform where you can explore and download free Canon Reflex Guide PDF books and manuals is the internet's largest free library. Hosted online, this catalog compiles a vast assortment of documents, making it a veritable goldmine of knowledge. With its easy-to-use website interface and customizable PDF generator, this platform offers a user-friendly experience, allowing individuals to effortlessly navigate and access the information they seek. The availability of free PDF books and manuals on this platform demonstrates its commitment to democratizing education and empowering individuals with the tools needed to succeed in their chosen fields. It allows anyone, regardless of their background or financial limitations, to expand their horizons and gain insights from experts in various disciplines. One of the most significant advantages of downloading PDF books and manuals lies in their portability. Unlike physical copies, digital books can be stored and carried on a single device, such as a tablet or smartphone, saving valuable space and weight. This convenience makes it possible for readers to have their entire library at their fingertips, whether they are commuting, traveling, or simply enjoying a lazy afternoon at home. Additionally, digital files are easily searchable, enabling readers to locate specific information within seconds. With a few keystrokes, users can search for keywords, topics, or phrases, making research and finding relevant information a breeze. This efficiency saves time and effort, streamlining the learning process and allowing individuals to focus on extracting the information they need. Furthermore, the availability of free PDF books and manuals fosters a culture of continuous learning. By removing financial barriers, more people can access educational resources and pursue lifelong learning, contributing to personal growth and professional development. This democratization of knowledge promotes intellectual curiosity and empowers individuals to become lifelong learners, promoting progress and innovation in various fields. It is worth noting that while

accessing free Canon Reflex Guide PDF books and manuals is convenient and cost-effective, it is vital to respect copyright laws and intellectual property rights. Platforms offering free downloads often operate within legal boundaries, ensuring that the materials they provide are either in the public domain or authorized for distribution. By adhering to copyright laws, users can enjoy the benefits of free access to knowledge while supporting the authors and publishers who make these resources available. In conclusion, the availability of Canon Reflex Guide free PDF books and manuals for download has revolutionized the way we access and consume knowledge. With just a few clicks, individuals can explore a vast collection of resources across different disciplines, all free of charge. This accessibility empowers individuals to become lifelong learners, contributing to personal growth, professional development, and the advancement of society as a whole. So why not unlock a world of knowledge today? Start exploring the vast sea of free PDF books and manuals waiting to be discovered right at your fingertips.

FAQs About Canon Reflex Guide Books

How do I know which eBook platform is the best for me? Finding the best eBook platform depends on your reading preferences and device compatibility. Research different platforms, read user reviews, and explore their features before making a choice. Are free eBooks of good quality? Yes, many reputable platforms offer high-quality free eBooks, including classics and public domain works. However, make sure to verify the source to ensure the eBook credibility. Can I read eBooks without an eReader? Absolutely! Most eBook platforms offer web-based readers or mobile apps that allow you to read eBooks on your computer, tablet, or smartphone. How do I avoid digital eye strain while reading eBooks? To prevent digital eye strain, take regular breaks, adjust the font size and background color, and ensure proper lighting while reading eBooks. What the advantage of interactive eBooks? Interactive eBooks incorporate multimedia elements, quizzes, and activities, enhancing the reader engagement and providing a more immersive learning experience. Canon Reflex Guide is one of the best book in our library for free trial. We provide copy of Canon Reflex Guide in digital format, so the resources that you find are reliable. There are also many Ebooks of related with Canon Reflex Guide. Where to download Canon Reflex Guide online for free? Are you looking for Canon Reflex Guide PDF? This is definitely going to save you time and cash in something you should think about.

Find Canon Reflex Guide :

duplo dno

[durability design of concrete structures](#)

[dynamics of continuous elements](#)

[dying with open eyes alzheimers disease](#)

[dynamic xhtml developers guide building an advanced interactive xhtml web site](#)

dynamic econometric modeling proceedings of the third international symposium in economic theory and econometrics

duff pattullo of british columbia

duarte my story

duck populations kill

dummys little girl

[dynamic classroom](#)

dungeness crabs and blackberry cobblers the northwest heritage cookbook

dynamic programming and the calculus of variations

duino elegies 1st edition thus

dutch ovens chronicled

Canon Reflex Guide :

contemplating christ the gospels and the interior life - Jun 02 2022

web mar 26 2018 [contemplating christ the gospels and the interior life](#) kindle edition by vincent pizzuto author format kindle edition 69 ratings see all formats and editions kindle edition 17 02 read with our free app paperback 33 62 10 used from 14 98 11 new from 33 62 1 collectible from 107 52 the incarnation has made mystics of us all

contemplating christ the gospels and the interior life - Dec 08 2022

web in his book [conptemplating christ](#) vincent pizzuto offers an exploration of the interior life for modern contemplatives that is as beautiful as it is compelling with an emphasis on the gospels and christian mystical tradition his book explores ancient themes in new and surprising ways

[free contemplating christ the gospels and the interior](#) - May 01 2022

web [contemplating christ the gospels and the interior](#) jesus in the gospels and acts feb 02 2023 engaging scholarly and theologically honest this introductory textbook will be welcomed by students and professors alike what do we really know about jesus and how do we know it jesus in the gospels and acts introducing the new

contemplating christ the gospels and the interior life - Jul 03 2022

web contemplating christ the gospels and the interior life pizzuto vincent a amazon in books books religion spirituality religious studies buy new 2 080 00 m r p 2 602 00 save 522 00 20 inclusive of all taxes free delivery thursday 4 may order within 17 hrs 26 mins details select delivery location in stock

contemplating christ the gospels and the interior life - Jul 15 2023

web mar 26 2018 in his book contemplating christ vincent pizzuto offers an exploration of the interior life for modern contemplatives that is as beautiful as it is compelling with an emphasis on the gospels and christian mystical tradition his book explores ancient themes in new and surprising ways

contemplating christ the gospels and the interior life vincent - May 13 2023

web apr 9 2018 in his book contemplating christ vincent pizzuto offers an exploration of the interior life for modern contemplatives that is as beautiful as it is compelling with an emphasis on the gospels and christian mystical tradition his book explores ancient themes in new and surprising ways

contemplating christ the gospels and the interior life christianbook com - Mar 11 2023

web in his book contemplating christ vincent pizzuto offers an exploration of the interior life for modern contemplatives that is as beautiful as it is compelling with an emphasis on the gospels and christian mystical tradition his book explores ancient themes in new and surprising ways

contemplating christ the gospels and the interior life - Sep 05 2022

web apr 1 2018 buy contemplating christ the gospels and the interior life by pizzuto vincent isbn 9780814647059 from amazon s book store everyday low prices and free delivery on eligible orders

contemplatingchristthegospelsandtheinterior 2022 dev sfcg - Dec 28 2021

web explanation of the epistles and gospels for the sundays holydays and festivals throughout the ecclesiastical year to which are added the lives of many saints hassell street press

contemplating christ the gospels and the interior life goodreads - Jun 14 2023

web mar 26 2018 in his book contemplating christ vincent pizzuto offers an exploration of the interior life for modern contemplatives that is as beautiful as it is compelling with an emphasis on the gospels and christian mystical tradition his book explores ancient themes in new and surprising ways

contemplating christ the gospels and the interior life - Oct 06 2022

web apr 23 2018 in his book contemplating christ vincent pizzuto offers an exploration of the interior life for modern contemplatives that is as beautiful as it is compelling with an emphasis on the gospels and christian mystical tradition his book explores ancient themes in new and surprising ways

contemplating christ the gospels and the interior life pizzuto - Nov 07 2022

web apr 1 2018 in his book contemplating christ vincent pizzuto offers an exploration of the interior life for modern contemplatives that is as beautiful as it is compelling with an emphasis on the gospels and christian mystical tradition his book explores ancient themes in new and surprising ways

9780814647059 contemplating christ the gospels and the interior - Aug 04 2022

web abebooks.com contemplating christ the gospels and the interior life 9780814647059 by pizzuto vincent and a great selection of similar new used and collectible books available now at great prices

contemplating christ the gospels and the interior life - Aug 16 2023

web apr 23 2018 in his book contemplating christ vincent pizzuto offers an exploration of the interior life for modern contemplatives that is as beautiful as it is compelling with an emphasis on the gospels and christian mystical tradition his book explores ancient themes in new and surprising ways

contemplating christ the gospels and the interior life google - Feb 10 2023

web in his book contemplating christ vincent pizzuto offers an exploration of the interior life for modern contemplatives that is as beautiful as it is compelling with an emphasis on the gospels and christian mystical tradition his book explores ancient themes in new and surprising ways

contemplating christ the gospels and the interior life ebook - Feb 27 2022

web contemplating christ the gospels and the interior life ebook pizzuto vincent amazon.com au kindle store

contemplating christ the gospels and the interior - Jan 29 2022

web gospels and thereby affirms christian faith spirituality and tradition the three ways of the spiritual life liturgical press the incarnation has made mystics of us all what if we read the gospels as if that were true in his book contemplating christ vincent pizzuto offers an exploration of the interior life for modern contemplatives that is

contemplating christ the gospels and the interior life - Apr 12 2023

web in his book contemplating christ vincent pizzuto offers an exploration of the interior life for modern contemplatives that is as beautiful as it is compelling with an emphasis on the gospels and christian mystical tradition his book explores ancient themes in new and surprising ways

project muse contemplating christ - Jan 09 2023

web in his book contemplating christ vincent pizzuto offers an exploration of the interior life for modern contemplatives that is as beautiful as it is compelling with an emphasis on the gospels and christian mystical tradition his book explores ancient themes in new and surprising ways

contemplating christ gospels interior abebooks - Mar 31 2022

web contemplating christ the gospels and the interior life paperback by vincent a pizzuto and a great selection of related

books art and collectibles available now at abebooks co uk

loading interface goodreads - Sep 22 2021

web sep 8 2023 mom of 9 11 victim identified remains finally put everything to rest despite these advancements in dna technology roughly 40 of the victims or about 1 100

amazon com customer reviews rest in the mourning - Jan 07 2023

web rest in the mourning is a steady and profound stream of conscious thoughts and emotion documenting unhealthy relationships and why the heart ends up in the hands of those

mcdonald s fans are mourning the loss of self serve soft drinks - Sep 10 2020

rest in the mourning paperback 28 aug 2016 amazon co uk - May 31 2022

web rest in the mourning is about self care and self love isbn 9781449486730 publisher andrews mcmeel publishing binding hardback pages 128 publication date 1 dec

rest in the mourning andrews mcmeel publishing - May 11 2023

web dec 6 2016 from best selling poet r h sin comes an expanded hardcover keepsake edition of his original chapbook rest in the mourning the calm before and after the

the latest itv news headlines as thousands of jobs at risk at - Feb 13 2021

web sep 9 2023 morocco declared three days of mourning following a deadly earthquake that has devastated large parts of the country the royal court has announced in a statement

libya flood the devastation of an egyptian village 560 miles away - Apr 17 2021

web sep 15 2023 good morning britain series 12 bafta nominated breakfast show covering the latest news sport weather

rest in the mourning sin r h amazon com au books - Jul 01 2022

web dec 6 2016 rest in the mourning is a steady and profound stream of conscious thoughts and emotion documenting unhealthy relationships and why the heart ends up in the

rest in the mourning book by r h sin simon schuster - Jul 13 2023

web rest in the mourning is a steady and profound stream of conscious thoughts and emotion documenting unhealthy relationships and why the heart ends up in the hands of those

morocco earthquake updates three days of mourning after over - Dec 14 2020

web 2 days ago by joe heim september 12 2023 at 6 40 p m edt a street in amizmiz morocco one of the areas hit hardest by friday s earthquake belkacem nahi 5 min

rest in the mourning quotes by r h sin goodreads - Jan 27 2022

web dec 6 2016 rest in the mourning is a steady and profound stream of conscious thoughts and emotion documenting unhealthy relationships and why the heart ends up in the

rest in the mourning sin r h amazon ca books - Feb 08 2023

web reviewed in the united states on july 3 2020 verified purchase this book and his entire series is magnetic to the weary soul the soul of a woman tired of the same violently

prince harry visits queen elizabeth s final resting place - Jun 19 2021

web sep 14 2023 the al dabaa family one of the largest in al sharif is mourning the loss of 16 people my three sons all in their 20s died says jumaa al sayyid a 50 year old

egypt declares 3 day mourning after natural disasters hit morocco - Aug 10 2020

rest in the mourning ebook by r h sin rakuten kobo - Nov 05 2022

web rest in the mourning sin r h amazon in books books reference library information science kindle edition 252 00 available instantly hardcover 1 244 00

new jersey bids final farewell to lt gov sheila oliver capping a - Jan 15 2021

web sep 12 2023 mourning for morocco locals in the sacramento area are mourning their loved ones who died in the earthquake including an elk grove family with heavy hearts

rise from the rubble locals in mourning help morocco as - Nov 12 2020

web an envelope it indicates the ability to send an email an curved arrow pointing right mcdonalds is nixing its self serve soft drinks and customers are expressing their dismay

the latest itv news headlines as three charged with sara - Aug 22 2021

web sep 8 2023 the duke of sussex was spotted in windsor this morning to pay his respects to his late grandmother in memory of queen elizabeth on the one year anniversary of

rest in the mourning by r h sin ebook scribd - Oct 04 2022

web 123 pages 23 cm

morocco earthquake mourning begins as rescue continues with - Mar 17 2021

web aug 12 2023 over four hours on saturday at the cathedral basilica of the sacred heart in oliver s hometown hundreds of mourners bid their final farewell to new jersey s first

rest in the mourning sin r h amazon in books - Sep 03 2022

web rest in the mourning is a steady and profound stream of conscious thoughts and emotion documenting unhealthy relationships and why the heart ends up in the hands of those

buy rest in the mourning book by r h sin - Feb 25 2022

web rest in the mourning is a steady and profound stream of conscious thoughts and emotion documenting unhealthy relationships and why the heart ends up in the hands of those

two new september 11 victims identified cnn - Jul 21 2021

web sep 9 2023 morocco on saturday declared three days of national mourning after a deadly earthquake overnight the death toll rose to 2 012 people early sunday a statement

tureng rest in turkish english dictionary - Oct 24 2021

web sep 14 2023 thu 14 sept 10pm watch a short summary of today s top stories from the itv news team share this video 37 mins ago three charged with murder of 10 year

morocco declares three days of national mourning after deadly - May 19 2021

web sep 10 2023 rescuers in morocco were trying to find survivors in the rubble of collapsed buildings on sunday as the country began three days of mourning for victims of a

rest in the mourning sin r h author archive org - Aug 02 2022

web buy rest in the mourning by sin r h isbn 9781537356761 from amazon s book store everyday low prices and free delivery on eligible orders rest in the mourning

rest in the mourning overdrive - Nov 24 2021

web discover and share books you love on goodreads

rest in the mourning hardcover 12 jan 2017 - Dec 06 2022

web dec 6 2016 the calm before and after the storm rest in the mourning is a steady and profound stream of conscious thoughts and emotion documenting unhealthy

rest in the mourning legenda bookstore - Mar 29 2022

web rest in the mourning quotes showing 1 12 of 12 sometimes we wear masks so long to hide what we truly feel that those layers become an extra skin a part of our identity

amazon com rest in the mourning 9781449486730 - Aug 14 2023

web from best selling poet r h sin comes an expanded hardcover keepsake edition of his original chapbook rest in the mourning the calm before and after the storm rest in

rest in the mourning by r h sin waterstones - Mar 09 2023

web dec 6 2016 rest in the mourning is a steady and profound stream of conscious thoughts and emotion

rest in the mourning by r h sin hardcover barnes - Apr 10 2023

web jan 12 2017 synopsis from best selling poet r h sin comes an expanded hardcover keepsake edition of his original

chapbook rest in the mourning the calm before and
[moroccans in d c region donate fundraiser support after](#) - Oct 12 2020

web sep 12 2023 10 three days of mourning were declared in the arab republic of egypt in solidarity with the brothers in morocco and libya over the victims he added according

rest in the mourning on apple books - Dec 26 2021

web meanings of rest in with other terms in english turkish dictionary 51 result s category english turkish general 1 general in the rest of the game n oyunun geri kalanında 2

[ebook rest in the mourning 9781449486914 dymocks](#) - Apr 29 2022

web dec 6 2016 buy rest in the mourning hardcover book by r h sin from as low as 4 05 free shipping on all orders over 10 no coupon code needed favorite 0 wish list

rest in the mourning by r h sin books on google play - Jun 12 2023

web the calm before and after the storm rest in the mourning is a steady and profound stream of conscious thoughts and emotion documenting unhealthy relationships and why the

the once and future security council [goodreads](#) - Nov 05 2022

web feb 15 1997 the once and future security council soo yeon kim bruce russett ian hurd 3 67 3 ratings0 reviews the composition of the united nations security council

the once and future security council [amazon com tr kitap](#) - Jan 27 2022

web the once and future security council [amazon com tr kitap](#) Çerez tercihlerinizi seçin Çerez bildirimimizde detaylandırıldığı üzere satın alım yapmanızı sağlamak alışveriş

why it s time to implement a quantum safe network forbes - Feb 13 2021

web 22 hours ago act today to secure the future conventional wisdom states we are in the quantum decade by the end of the 2020s there will be commercially viable quantum

[the once and future security council edited by bruce russett](#) - Jan 07 2023

web the once and future security council edited by bruce russett with contributions by ian hurd et al request order a copy bib id 1494701 format book edition 1st ed

review general the once and future security council fen - Mar 29 2022

web intended for healthcare professionals 0

[security council reforms must reflect 21st century realities says](#) - Apr 29 2022

web jan 26 2021 the security council is comprised of 15 members five permanent china france russia the united kingdom and the united states and ten non permanent

the once and future security council sciencegate - Dec 06 2022

web read the once and future security council the legal effects of the united nations security council resolutions on iraqi politics after 2003

the once and future security council amazon com au - Dec 26 2021

web select the department you want to search in

[once future wikipedia](#) - Aug 22 2021

web once future is a horror comic by kieron gillen with art by dan mora and colors by tamra bonvillain about king arthur it is published by boom studios synopsis when a

the once and future security council cambridge university - Oct 04 2022

web nov 10 2009 the once and future security council bruce russett ed new york st martin s press 1997 pp xii 179 published online by cambridge university press 10

cost of living latest full list of wilko stores to become poundland - Dec 14 2020

web sep 13 2023 the government and tata steel are on the brink of an agreement that will secure the future of the country s biggest steelworks but pave the way for thousands of

revolutionizing the hospitality industry with artificial intelligence - Oct 12 2020

web sep 11 2023 artificial intelligence in its various forms has permeated nearly every aspect of our lives and the hospitality industry is no exception ai powered technologies such

the once and future security council hardcover 3 april 1997 - Feb 25 2022

web apr 3 1997 buy the once and future security council 1997 by russett bruce isbn 9780312165567 from amazon s book store everyday low prices and free delivery on

the once and future security council amazon com - May 11 2023

web apr 3 1997 an unflinching analysis of power and where it resides in the un the once and future security council illuminates the past and reveals what could very well be the

the dna of the supply chains that will succeed in the future - Jan 15 2021

web 16 hours ago as gartner noted in 2021 through 2024 50 of supply chain organizations will invest in applications that support artificial intelligence and advanced analytics

srsq for sudan and head of unitams volker perthes remarks - Jun 19 2021

web sep 13 2023 mister president members of the security council thank you for the opportunity to brief you once more on the situation in sudan almost five months have

the once and future security council semantic scholar - Jul 01 2022

web the once and future security council article lvarez1995theoa title the once and future security council author jos e enrique g o mez a lvarez

the once and future security council open library - Aug 02 2022

web the once and future security council by bruce m russett ian hurd 1997 st martin s press edition in english 1st ed *us iran prisoner swap set to happen as soon as early next week* - Mar 17 2021

web 1 day ago by annmarie hordern september 13 2023 at 4 54 pm pdt the us and iran are set to exchange prisoners as early as monday under an agreement that s seen as a

the once and future security council department of political - Aug 14 2023

web the once and future security council bruce russett the collection of essays in the once and future security council constitutes highly clarifying and penetrating

the once and future security council hardcover abebooks - May 31 2022

web abebooks com the once and future security council 9780312165567 by bruce russett ian hurd soo yeon kim and a great selection of similar new used and

pm modi closes 2023 g20 summit pitches for un security - Jul 21 2021

web sep 10 2023 today the united nations security council is also an example of this when the un was established the world was completely different from what it is today

remote work how organizations can prepare for security - May 19 2021

web 20 hours ago new security technology can streamline and bolster defenses but in my experience it often falls short without human interaction and experience these systems

the once and future security council russett bruce m free - Mar 09 2023

web the once and future security council by russett bruce m hurd ian publication date 1997 topics united nations security council united nations security council

the once and future security council naval war college - Apr 10 2023

web the once and future security council thomas c wingfield bruce russet follow this and additional works at https digital commons usnwc edu nwc review recommended

the future of ai in business predictions and how to prepare - Nov 12 2020

web 1 day ago as we gain a greater idea of ai s business applications i believe we ll develop new ways to capture and analyze data with ai analyzing workflow for example we can

the once and future security council hardback waterstones - Sep 03 2022

web apr 3 1997 an unflinching analysis of power and where it resides in the un the once and future security council

illuminates the past and reveals what could very well be the

[the once and future security council amazon singapore](#) - Oct 24 2021

web delivering to singapore 049145 sign in to update your location all

[the us moves to advance a prisoner swap deal with iran and](#) - Apr 17 2021

web sep 11 2023 washington ap the biden administration has cleared the way for the release of five american citizens detained in iran by issuing a blanket waiver for

once and future security studies security studies vol 1 no 2 - Nov 24 2021

web jan 9 2008 once and future security studies neta c crawford center for international studies university of southern california pages 283 316

the once and future security council ian hurd google books - Jul 13 2023

web feb 15 1997 an unflinching analysis of power and where it resides in the un the once and future security council illuminates the past and reveals what could very well be

the once and future security council cambridge university - Jun 12 2023

web aug 1 2014 the once and future security council edited by bruce russett new york st martin s press 1997 179p 39 95 published online by cambridge university press

advancing public private humanitarian partnership security - Sep 22 2021

web 1 day ago the security council through the open debate will seek to identify and advance public private partnership solutions to promote international peace and security

the once and future security council taylor francis online - Feb 08 2023

web jan 7 2010 1995 the once and future security council the washington quarterly vol 18 no 2 pp 3 20