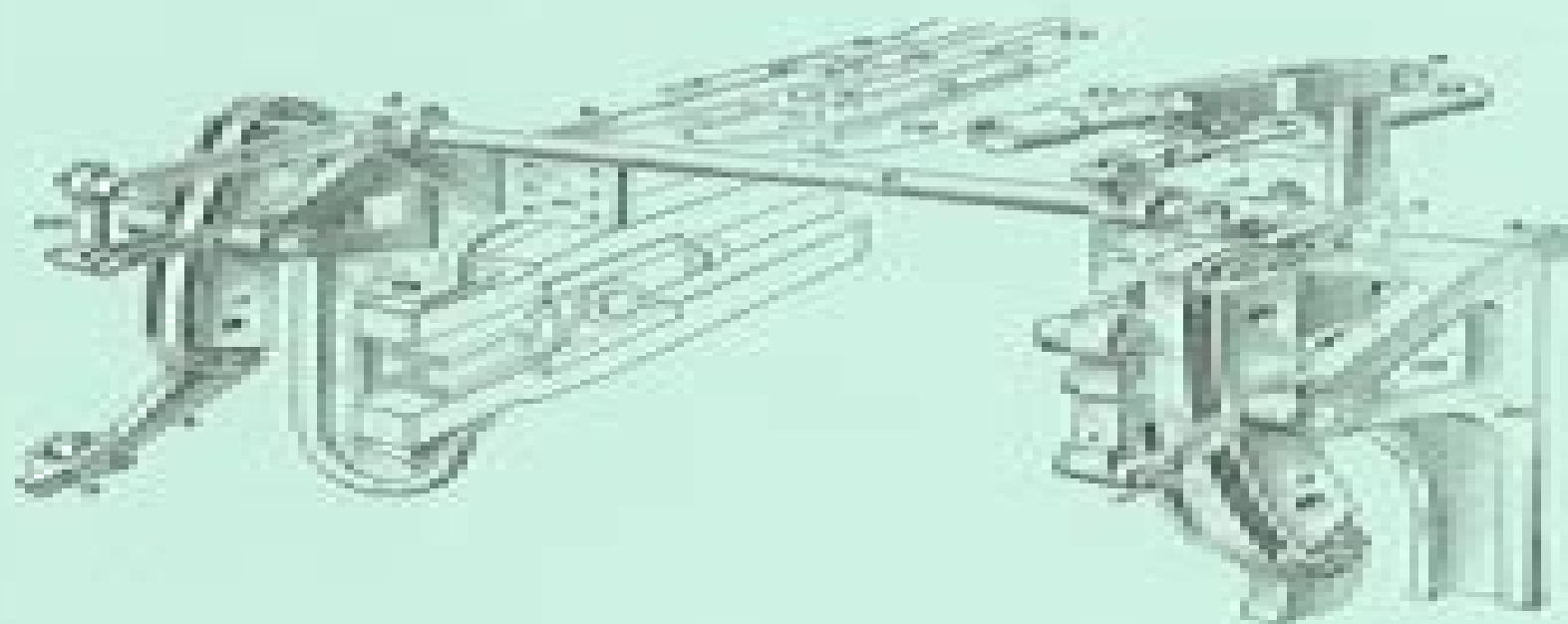


BAKER VALVE GEARS



J W HARDING

Baker Valve Gears

LP Steffe



Baker Valve Gears:

Ignite the flame of optimism with is motivational masterpiece, Fuel Your Spirit with **Baker Valve Gears** . In a downloadable PDF format (Download in PDF: *), this ebook is a beacon of encouragement. Download now and let the words propel you towards a brighter, more motivated tomorrow.

https://gandalf.roeckerfam.com/data/publication/index.jsp/build_your_own_486_486dx.pdf

Table of Contents Baker Valve Gears

1. Understanding the eBook Baker Valve Gears
 - The Rise of Digital Reading Baker Valve Gears
 - Advantages of eBooks Over Traditional Books
2. Identifying Baker Valve Gears
 - Exploring Different Genres
 - Considering Fiction vs. Non-Fiction
 - Determining Your Reading Goals
3. Choosing the Right eBook Platform
 - Popular eBook Platforms
 - Features to Look for in an Baker Valve Gears
 - User-Friendly Interface
4. Exploring eBook Recommendations from Baker Valve Gears
 - Personalized Recommendations
 - Baker Valve Gears User Reviews and Ratings
 - Baker Valve Gears and Bestseller Lists
5. Accessing Baker Valve Gears Free and Paid eBooks
 - Baker Valve Gears Public Domain eBooks
 - Baker Valve Gears eBook Subscription Services
 - Baker Valve Gears Budget-Friendly Options
6. Navigating Baker Valve Gears eBook Formats

- ePub, PDF, MOBI, and More
 - Baker Valve Gears Compatibility with Devices
 - Baker Valve Gears Enhanced eBook Features
7. Enhancing Your Reading Experience
 - Adjustable Fonts and Text Sizes of Baker Valve Gears
 - Highlighting and Note-Taking Baker Valve Gears
 - Interactive Elements Baker Valve Gears
 8. Staying Engaged with Baker Valve Gears
 - Joining Online Reading Communities
 - Participating in Virtual Book Clubs
 - Following Authors and Publishers Baker Valve Gears
 9. Balancing eBooks and Physical Books Baker Valve Gears
 - Benefits of a Digital Library
 - Creating a Diverse Reading Collection Baker Valve Gears
 10. Overcoming Reading Challenges
 - Dealing with Digital Eye Strain
 - Minimizing Distractions
 - Managing Screen Time
 11. Cultivating a Reading Routine Baker Valve Gears
 - Setting Reading Goals Baker Valve Gears
 - Carving Out Dedicated Reading Time
 12. Sourcing Reliable Information of Baker Valve Gears
 - Fact-Checking eBook Content of Baker Valve Gears
 - Distinguishing Credible Sources
 13. Promoting Lifelong Learning
 - Utilizing eBooks for Skill Development
 - Exploring Educational eBooks
 14. Embracing eBook Trends
 - Integration of Multimedia Elements
 - Interactive and Gamified eBooks

Baker Valve Gears Introduction

Baker Valve Gears Offers over 60,000 free eBooks, including many classics that are in the public domain. Open Library: Provides access to over 1 million free eBooks, including classic literature and contemporary works. Baker Valve Gears Offers a vast collection of books, some of which are available for free as PDF downloads, particularly older books in the public domain. Baker Valve Gears : This website hosts a vast collection of scientific articles, books, and textbooks. While it operates in a legal gray area due to copyright issues, its a popular resource for finding various publications. Internet Archive for Baker Valve Gears : Has an extensive collection of digital content, including books, articles, videos, and more. It has a massive library of free downloadable books. Free-eBooks Baker Valve Gears Offers a diverse range of free eBooks across various genres. Baker Valve Gears Focuses mainly on educational books, textbooks, and business books. It offers free PDF downloads for educational purposes. Baker Valve Gears Provides a large selection of free eBooks in different genres, which are available for download in various formats, including PDF. Finding specific Baker Valve Gears, especially related to Baker Valve Gears, might be challenging as theyre often artistic creations rather than practical blueprints. However, you can explore the following steps to search for or create your own Online Searches: Look for websites, forums, or blogs dedicated to Baker Valve Gears, Sometimes enthusiasts share their designs or concepts in PDF format. Books and Magazines Some Baker Valve Gears books or magazines might include. Look for these in online stores or libraries. Remember that while Baker Valve Gears, sharing copyrighted material without permission is not legal. Always ensure youre either creating your own or obtaining them from legitimate sources that allow sharing and downloading. Library Check if your local library offers eBook lending services. Many libraries have digital catalogs where you can borrow Baker Valve Gears eBooks for free, including popular titles. Online Retailers: Websites like Amazon, Google Books, or Apple Books often sell eBooks. Sometimes, authors or publishers offer promotions or free periods for certain books. Authors Website Occasionally, authors provide excerpts or short stories for free on their websites. While this might not be the Baker Valve Gears full book , it can give you a taste of the authors writing style. Subscription Services Platforms like Kindle Unlimited or Scribd offer subscription-based access to a wide range of Baker Valve Gears eBooks, including some popular titles.

FAQs About Baker Valve Gears Books

1. Where can I buy Baker Valve Gears books? Bookstores: Physical bookstores like Barnes & Noble, Waterstones, and independent local stores. Online Retailers: Amazon, Book Depository, and various online bookstores offer a wide range of books in physical and digital formats.

2. What are the different book formats available? Hardcover: Sturdy and durable, usually more expensive. Paperback: Cheaper, lighter, and more portable than hardcovers. E-books: Digital books available for e-readers like Kindle or software like Apple Books, Kindle, and Google Play Books.
3. How do I choose a Baker Valve Gears book to read? Genres: Consider the genre you enjoy (fiction, non-fiction, mystery, sci-fi, etc.). Recommendations: Ask friends, join book clubs, or explore online reviews and recommendations. Author: If you like a particular author, you might enjoy more of their work.
4. How do I take care of Baker Valve Gears books? Storage: Keep them away from direct sunlight and in a dry environment. Handling: Avoid folding pages, use bookmarks, and handle them with clean hands. Cleaning: Gently dust the covers and pages occasionally.
5. Can I borrow books without buying them? Public Libraries: Local libraries offer a wide range of books for borrowing. Book Swaps: Community book exchanges or online platforms where people exchange books.
6. How can I track my reading progress or manage my book collection? Book Tracking Apps: Goodreads, LibraryThing, and Book Catalogue are popular apps for tracking your reading progress and managing book collections. Spreadsheets: You can create your own spreadsheet to track books read, ratings, and other details.
7. What are Baker Valve Gears audiobooks, and where can I find them? Audiobooks: Audio recordings of books, perfect for listening while commuting or multitasking. Platforms: Audible, LibriVox, and Google Play Books offer a wide selection of audiobooks.
8. How do I support authors or the book industry? Buy Books: Purchase books from authors or independent bookstores. Reviews: Leave reviews on platforms like Goodreads or Amazon. Promotion: Share your favorite books on social media or recommend them to friends.
9. Are there book clubs or reading communities I can join? Local Clubs: Check for local book clubs in libraries or community centers. Online Communities: Platforms like Goodreads have virtual book clubs and discussion groups.
10. Can I read Baker Valve Gears books for free? Public Domain Books: Many classic books are available for free as they're in the public domain. Free E-books: Some websites offer free e-books legally, like Project Gutenberg or Open Library.

Find Baker Valve Gears :

[build your own 486-486dx](#)

building construction vol ii 4th edn

bugholzma bel meubles en bois courbe bent wood furniture archpaperedition kraamer

bugs bunny paint with water color

~~building free form furniture~~

~~building confidence in outer space activities~~

buffalo gals other 1st edition thus signed

buffalo stew for indigenous hearts

building garden furniture

buenas noticias brillitos pooh

buddhist way of action

~~budgeting basics and beyond a complete step-by-step guide for nonfinancial managers~~

building english skills yellow level

building wheels window wheel boards

~~bugs critters i have known~~

Baker Valve Gears :

the design museum fashion evolution the 250 looks that - Jun 13 2023

web buy the design museum fashion evolution the 250 looks that shaped modern fashion illustrated by paula reed isbn 9781840917901 from amazon s book store everyday low prices and free delivery on eligible orders

the design museum fashion evolution the 250 looks that - Jul 02 2022

web the design museum fashion evolution the 250 looks that shaped modern fashion von design museum enterprise ltd bei abebooks de isbn 10 1840917903 isbn 13 9781840917901 conran 2019 softcover

the design museum fashion evolution google books - Jul 14 2023

web sep 5 2019 the design museum fashion evolution the 250 looks that shaped modern fashion design museum enterprise ltd octopus sep 5 2019 design 528 pages

the design museum fashion evolution the 250 looks that - May 12 2023

web sep 5 2019 trace the evolution of fashion through the 250 looks that defined it from the chanel suit to the wonderbra via jackie kennedy ziggy stardust and alexander mcqueen respected fashion journalist and editor paula reed explores each of the styles and visionaries that have defined the way we dress

the design museum fashion evolution the 250 looks that - Oct 05 2022

web find many great new used options and get the best deals for the design museum fashion evolution the 250 looks that shaped modern fashion by design museum enterprise limited paperback 2019 at the best online prices at ebay free shipping

for many products

[the design museum fashion evolution the 250 looks that](#) - Aug 03 2022

web the design museum fashion evolution the 250 looks that shaped modern fashion reed paula amazon com be livres

the design museum fashion evolution booktopia - Mar 30 2022

web booktopia has the design museum fashion evolution the 250 looks that shaped modern fashion by design museum enterprise ltd buy a discounted paperback of the design museum fashion evolution online from australia s leading online bookstore

[the design museum fashion evolution the 250 looks that](#) - Aug 15 2023

web the design museum fashion evolution the 250 looks that shaped modern fashion design museum enterprise limited amazon com tr kitap

the design museum fashion evolution the 250 looks that - Dec 07 2022

web sep 5 2019 the design museum fashion evolution the 250 looks that shaped modern fashion kindle edition by design museum enterprise ltd download it once and read it on your kindle device pc phones or tablets

the design museum fashion evolution the 250 looks that - Jan 08 2023

web the design museum fashion evolution the 250 looks that shaped modern fashion by paula reed at abebooks co uk isbn 10 1840917903 isbn 13 9781840917901 conran 2019 softcover

the design museum fashion evolution the 250 looks that - Mar 10 2023

web the design museum fashion evolution the 250 looks that shaped modern fashion ebook written by design museum enterprise ltd read this book using google play books app on your pc

the design museum fashion evolution the 250 looks that - Dec 27 2021

web entdecke the design museum fashion evolution the 250 looks that shaped modern fashion in großer auswahl vergleichen angebote und preise online kaufen bei ebay kostenlose lieferung für viele artikel

the design museum fashion evolution the 250 looks that - Sep 04 2022

web buy the design museum fashion evolution the 250 looks that shaped modern fashion by design museum enterprise ltd online on amazon ae at best prices fast and free shipping free returns cash on delivery available on eligible purchase

[fashion design museum](#) - Jan 28 2022

web beazley designs of the year explore the best designs across fashion architecture digital transport product and graphic design nominated by design experts and the public find out more

fashion evolution the 250 looks that shaped modern fashion - Apr 11 2023

web oct 1 2019 fashion evolution the 250 looks that shaped modern fashion paperback illustrated october 1 2019 by paula

reed author 4 5 4 5 out of 5 stars 31 ratings

the design museum fashion evolution the 250 looks that - Apr 30 2022

web find many great new used options and get the best deals for the design museum fashion evolution the 250 looks that shaped modern fashion by design museum enterprise limited paperback 2019 at the best online prices at ebay

1840917903 the design museum fashion evolution the 250 looks - Jun 01 2022

web fashion evolution the 250 looks that shaped modern fashion von reed paula und eine große auswahl ähnlicher bücher kunst und sammlerstücke erhältlich auf abebooks de

the design museum fashion evolution the 250 looks that - Feb 26 2022

web from the chanel suit to the wonderbra via jackie kennedy ziggy stardust and alexander mcqueen respected fashion journalist and editor paula reed explores each of the styles and visionaries that have defined the way we dress spanning fifty years from the 1950s to the 1990s and accompanied by striking photographs

the design museum fashion evolution the 250 looks that - Nov 06 2022

web the design museum fashion evolution the 250 looks that shaped modern fashion design museum enterprise limited paula reed 528 pages first pub 2019 editions

fashion evolution the 250 looks that shaped modern fashion - Feb 09 2023

web trace the evolution of fashion through the 250 looks that defined it from the chanel suit to the wonderbra via jackie kennedy ziggy stardust and alexander mcqueen respected fashion journalists and editor paula reed explores each of the styles and visionaries that have defined the way we dress

in process inspections measurements grouped by work - Jun 05 2023

web an inspection is most generally an organized examination or formal evaluation quality related in process inspection verification is an essential part of quality control in

a study on the optimization of in process inspection procedure - Jul 26 2022

web jan 7 2014 in process inspection in production at regular intervals 25 17 24 585 hi during production it may be necessary to carry out a several individual inspections at

an in process inspection method integrating deep sciencedirect - Mar 22 2022

web nov 15 2022 the automated in process inspection method plays a major role in the improvement of afp s processing efficiency and cfrp components performance 3

in process inspection in production at regular intervals - Apr 22 2022

web in process inspection work in the oil and gas industry looking for construction inspection check sheets you have come to the right place

in process inspection springerlink - Aug 07 2023

web in process measurement data is used not only in quality inspections but also as statistical data to clarify variations in measured values and to identify the causes of these

metrology tools for in process inspection - Apr 03 2023

web what is an in process inspection an in process inspection is a product inspection conducted during the manufacturing process this control is carried out at different

sap qm in process inspection online tutorials library - Feb 18 2022

web we would like to show you a description here but the site won't allow us

inspection wikipedia - Mar 02 2023

web this article describes observation methods used when conducting inspections the basic steps of an inspection and the seven inspection principles protocol sops

inspection procedures in manufacturing processes recent - May 04 2023

web quality inspections are typically performed referring to specific inspection procedures depending on the production process two general inspection paradigms may be

fbi head cites a potential conflict of interest in the wctv - May 12 2021

call for inspection for the astro and canyon guide - Sep 15 2021

web washington nov 4 2023 tyson foods inc a berryville ark establishment is recalling approximately 29 819 pounds of fully cooked breaded shaped chicken patty

19 types of home inspections you should consider redfin - Oct 17 2021

web 17 hours ago wed 8 nov 2023 13 58 est last modified on wed 8 nov 2023 14 11 est a robot crushed a man to death in south korea after the machine apparently failed to

quora a place to share knowledge and better understand the world - Nov 17 2021

web oct 28 2023 fifa instead needs to keep open bidding for the 2034 world cup and apply the same human rights benchmarks to all bidders in advance of selection human rights

in process inspection services since 1984 pro qc - Dec 31 2022

web apr 26 2022 an in process inspection takes place at any point throughout the manufacturing process each section of the process is checked to comply with industry

fifa broke own human rights rules for world cup hosts - Aug 15 2021

web 10 hours ago fbi director christopher wray testifies during a senate homeland security and governmental affairs

committee hearing on threats to the homeland tuesday oct

[making a case for in process inspection quality magazine](#) - Jul 06 2023

web may 28 2020 quality inspections are typically performed referring to specific inspection procedures depending on the production process two general inspection paradigms

a general guide for conducting in process inspections pubmed - Nov 29 2022

web the in process inspection is carried out at regular intervals the frequency of inspection could be hourly once in two hours two to three times in a shift etc the frequency

how in process inspection helps in production process format - Aug 27 2022

web in process inspection is the process of investigating a produced feature within the same process flow directly after the feature has been machined in process inspection is

an in process inspection method integrating deep learning and - Dec 19 2021

web oct 25 2023 petzl usa request for inspection of astro and canyon guide harnesses following the detection of a defect on the gated opening attachment point of

in process control renishaw - Jun 24 2022

web nov 15 2022 during the afp in process inspection laser line points data are collected while the afp machine is moving these laser points record the depth information of the

[tyson foods inc recalls chicken patty product due to possible](#) - Jun 12 2021

inspection procedures in manufacturing processes - Feb 01 2023

web apr 19 2022 2022 4 19 quality control can be divided into in process quality control ipqc and incoming quality control iqc in this article we are going to focus on what

industrial robot crushes man to death in south korean distribution - Jul 14 2021

what is in process inspection and how it works - Oct 09 2023

web feb 20 2019 definition the set of hardware software procedures and activities that are integrated in the manufacturing system in order to provide measurements of dimensional

[inspection in manufacturing processes why it is important](#) - Sep 27 2022

web productive process pattern from the in process control layer of the productive process pyramid use a workpiece inspection probe to locate and measure the position of a

in process inspections measurements grouped by - Sep 08 2023

web oct 11 2021 manufacturers use in process inspection to identify errors early in production which saves time and resources in the long run they identify problems as

in process inspection qaqc construction - Jan 20 2022

web jul 6 2023 8 lead based paint inspection older homes built before 1978 and even some after could contain lead based paint and are highly recommended to be tested

in process quality control basics ipqc definition content - Oct 29 2022

web mar 21 2022 the in process inspection procedure is one of the critical operations in the active pharmaceutical ingredients manufacturing process this study aims to improve the

in process inspection machining4 eu - May 24 2022

web the in process inspection has a reference to a production order in sap system you generate an inspection lot at the time of production order release and inspection type

synonymous oxford learner s dictionaries - May 14 2023

web sɪ'nɒnɪməs sɪ'nɑ:nɪməs of words or expressions having the same or nearly the same meaning few words are truly synonymous oxford collocations dictionary definitions on the go look up any word in the dictionary offline anytime anywhere with the oxford advanced learner s dictionary app

oxford learner s dictionaries find definitions translations and - Jul 16 2023

web the largest and most trusted free online dictionary for learners of british and american english with definitions pictures example sentences synonyms antonyms word origins audio pronunciation and more look up the meanings of words abbreviations phrases and idioms in our free english dictionary

lexico dictionary thesaurus by oxford chrome web store google chrome - Sep 06 2022

web dec 3 2021 lexico is a dictionary thesaurus offers trusted english definitions synonyms grammar guides for native speakers language learners this chrome extension is for search any word in the lexico dictionary

the oxford dictionary of synonyms and antonyms oxford quick - Aug 05 2022

web jul 8 2014 authoritative accessible and completely up to date the oxford dictionary of synonyms and antonyms is an invaluable guide for anyone wanting to build their vocabulary and improve their writing skills over 140 000 alternative and opposite words are given with the closest most frequently used synonyms listed first in addition thousands

cambridge thesaurus synonyms antonyms and examples - Jun 03 2022

web explore the english thesaurus get clear explanations and examples of the differences between thousands of synonyms and antonyms in both british and american english search for a word in the search bar try one of the most popular articles or browse the thesaurus a z

[oxford synonyms 7 synonyms antonyms for oxford](#) - Apr 01 2022

web on this page you ll find 9 synonyms antonyms and words related to oxford such as footwear brogan galoshes waders waters and mukluk

collins thesaurus synonyms antonyms and definitions - Jan 30 2022

web sep 14 2023 hundreds of thousands of synonyms and antonyms arranged by meaning and with key synonyms highlighted audio pronunciations for synonyms and antonyms

[synonym oxford learner s dictionaries](#) - Aug 17 2023

web definition of synonym noun in oxford advanced learner s dictionary meaning pronunciation picture example sentences grammar usage notes synonyms and more

the oxford dictionary of synonyms and antonyms searchworks - Nov 08 2022

web publisher s summary authoritative accessible and completely up to date the oxford dictionary of synonyms and antonyms is an invaluable guide for anyone wanting to build their vocabulary and improve their writing skills

the oxford dictionary of synonyms and antonyms oxford quick - Oct 07 2022

web sep 4 2007 authoritative accessible and completely up to date this new edition of the popular oxford dictionary of synonyms and antonyms is an invaluable guide for anyone wanting to build their vocabulary and invigorate their writing skills over 140 000 alternative and opposite words are given with the closest most frequently used synonyms listed first

oxford advanced learner s dict apps on google play - Jan 10 2023

web mar 3 2023 the oxford learner s thesaurus is a dictionary of synonyms that helps you to understand the differences between similar words and to find the right words to say exactly what you mean for example is there a better word than nice what is the difference between easy and simple what is a more formal synonym of choice

the oxford dictionary of synonyms and antonyms google books - Dec 29 2021

web authoritative accessible and completely up to date this new edition of the popular oxford dictionary of synonyms and antonyms is an invaluable guide for anyone wanting to build their vocabulary and invigorate their writing skills over 140 000 alternative and opposite words are given with the closest most frequently used synonyms listed first

oxford advanced learner s dictionary - Jun 15 2023

web sample entry easy to use choose english from the search box options to look up any word in the dictionary the complete a z is available for free read meanings examples and usage notes listen to british and american english pronunciations expand images to view related vocabulary sample entry more than just a dictionary

oxford languages and google english oxford languages - Feb 28 2022

web oxford languages and google google s english dictionary is provided by oxford languages oxford languages is the world s

leading dictionary publisher with over 150 years of experience creating and delivering authoritative dictionaries globally in *dictionary noun definition pictures pronunciation and usage* - May 02 2022

web definition of dictionary noun in oxford advanced learner s dictionary meaning pronunciation picture example sentences grammar usage notes synonyms and more

the oxford dictionary of synonyms and antonyms - Dec 09 2022

web the oxford dictionary of synonyms and antonyms oxford languages oxford university press you are here home page dictionaries reference language reference the oxford dictionary of synonyms and antonyms 18 99 paperback this item has an extended shipping time the typical delivery time is 2 weeks published

the oxford thesaurus an a z dictionary of synonyms google - Jul 04 2022

web laurence urdang clarendon press 1991 americanisms 1042 pages this easy to use thesaurus of english words and phrases is the most useful synonym dictionary available for the home college school or business fresh and original it features 275 000 synonyms in a z sequence full synonym index and cross referencing system

oxford learner s pocket thesaurus dictionaries oxford - Mar 12 2023

web a compact dictionary of synonyms and opposites based on the oxford learner s thesaurus which was shortlisted for the british council elton 2009 awards a handy pocket size thesaurus which helps students find synonyms and

oxford thesaurus of english 9 app store - Feb 11 2023

web authoritative coverage of more synonyms and antonyms than any other a z thesaurus new and up to date synonyms and senses based on the latest research from the oxford english corpus accessible and easy to use with synonyms given in order of usefulness and key synonyms highlighted

oxford learner s thesaurus dictionaries oxford university press - Apr 13 2023

web the oxford learner s thesaurus groups words with similar meanings and explains the differences between them it is a dictionary of synonyms and opposites that helps learners of english distinguish between similar words and use them correctly students can also explore the entire thesaurus on the oxford learner s thesaurus app