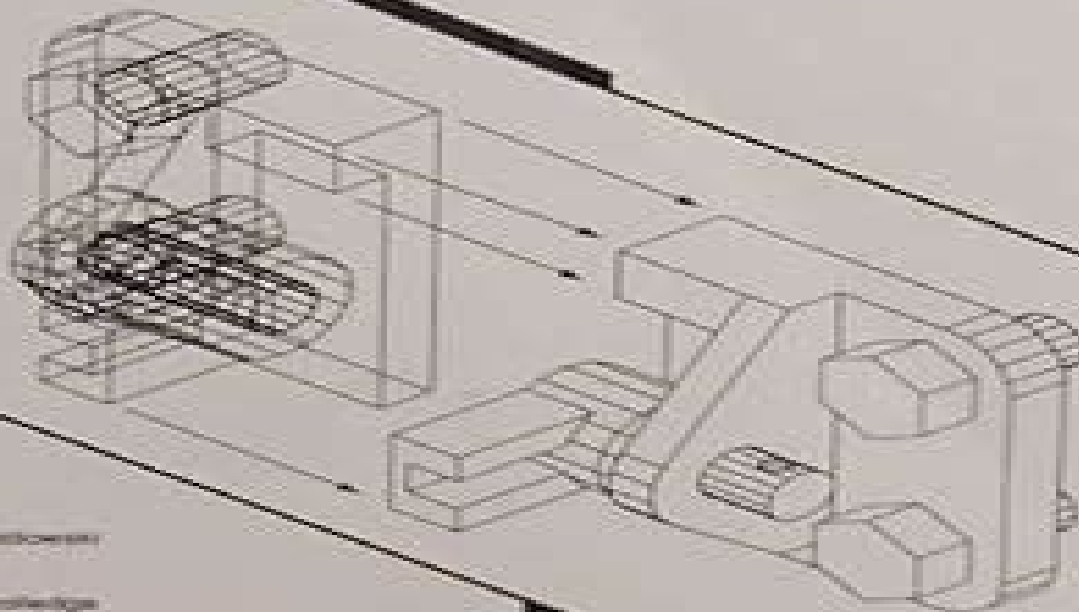


COMPUTER AIDED DESIGN USING SOLID MODELING

A Workbook for SilverScreen™

Seventh Edition



Joseph Faldowski
Instructor

Thomas College
Assistant Professor

Christy Sathranathorn
Associate Professor

Donald Ruscio
M.S. Candidate

Kitty Meyer
Undergraduate Student

Windows® 95/98/2000/NT

This project was sponsored by COSEL,
Engineering Coalition of Schools for Excellence in Education and Leadership
Supported by the National Science Foundation

Computer Aided Design Using Solid Modeling A Workbook For Silver Screen

S Ben Porath



Computer Aided Design Using Solid Modeling A Workbook For Silver Screen:

Getting the books **Computer Aided Design Using Solid Modeling A Workbook For Silver Screen** now is not type of challenging means. You could not only going behind ebook store or library or borrowing from your links to approach them. This is an agreed simple means to specifically acquire guide by on-line. This online pronouncement Computer Aided Design Using Solid Modeling A Workbook For Silver Screen can be one of the options to accompany you subsequently having other time.

It will not waste your time. endure me, the e-book will categorically space you extra issue to read. Just invest tiny grow old to log on this on-line publication **Computer Aided Design Using Solid Modeling A Workbook For Silver Screen** as capably as evaluation them wherever you are now.

https://gandalf.roeckerfam.com/book/uploaded-files/index.jsp/Advancing_Democracy.pdf

Table of Contents Computer Aided Design Using Solid Modeling A Workbook For Silver Screen

1. Understanding the eBook Computer Aided Design Using Solid Modeling A Workbook For Silver Screen
 - The Rise of Digital Reading Computer Aided Design Using Solid Modeling A Workbook For Silver Screen
 - Advantages of eBooks Over Traditional Books
2. Identifying Computer Aided Design Using Solid Modeling A Workbook For Silver Screen
 - Exploring Different Genres
 - Considering Fiction vs. Non-Fiction
 - Determining Your Reading Goals
3. Choosing the Right eBook Platform
 - Popular eBook Platforms
 - Features to Look for in an Computer Aided Design Using Solid Modeling A Workbook For Silver Screen
 - User-Friendly Interface
4. Exploring eBook Recommendations from Computer Aided Design Using Solid Modeling A Workbook For Silver Screen
 - Personalized Recommendations
 - Computer Aided Design Using Solid Modeling A Workbook For Silver Screen User Reviews and Ratings

- Computer Aided Design Using Solid Modeling A Workbook For Silver Screen and Bestseller Lists
- 5. Accessing Computer Aided Design Using Solid Modeling A Workbook For Silver Screen Free and Paid eBooks
 - Computer Aided Design Using Solid Modeling A Workbook For Silver Screen Public Domain eBooks
 - Computer Aided Design Using Solid Modeling A Workbook For Silver Screen eBook Subscription Services
 - Computer Aided Design Using Solid Modeling A Workbook For Silver Screen Budget-Friendly Options
- 6. Navigating Computer Aided Design Using Solid Modeling A Workbook For Silver Screen eBook Formats
 - ePub, PDF, MOBI, and More
 - Computer Aided Design Using Solid Modeling A Workbook For Silver Screen Compatibility with Devices
 - Computer Aided Design Using Solid Modeling A Workbook For Silver Screen Enhanced eBook Features
- 7. Enhancing Your Reading Experience
 - Adjustable Fonts and Text Sizes of Computer Aided Design Using Solid Modeling A Workbook For Silver Screen
 - Highlighting and Note-Taking Computer Aided Design Using Solid Modeling A Workbook For Silver Screen
 - Interactive Elements Computer Aided Design Using Solid Modeling A Workbook For Silver Screen
- 8. Staying Engaged with Computer Aided Design Using Solid Modeling A Workbook For Silver Screen
 - Joining Online Reading Communities
 - Participating in Virtual Book Clubs
 - Following Authors and Publishers Computer Aided Design Using Solid Modeling A Workbook For Silver Screen
- 9. Balancing eBooks and Physical Books Computer Aided Design Using Solid Modeling A Workbook For Silver Screen
 - Benefits of a Digital Library
 - Creating a Diverse Reading Collection Computer Aided Design Using Solid Modeling A Workbook For Silver Screen
- 10. Overcoming Reading Challenges
 - Dealing with Digital Eye Strain
 - Minimizing Distractions
 - Managing Screen Time
- 11. Cultivating a Reading Routine Computer Aided Design Using Solid Modeling A Workbook For Silver Screen
 - Setting Reading Goals Computer Aided Design Using Solid Modeling A Workbook For Silver Screen
 - Carving Out Dedicated Reading Time
- 12. Sourcing Reliable Information of Computer Aided Design Using Solid Modeling A Workbook For Silver Screen
 - Fact-Checking eBook Content of Computer Aided Design Using Solid Modeling A Workbook For Silver Screen

- Distinguishing Credible Sources
- 13. Promoting Lifelong Learning
 - Utilizing eBooks for Skill Development
 - Exploring Educational eBooks
- 14. Embracing eBook Trends
 - Integration of Multimedia Elements
 - Interactive and Gamified eBooks

Computer Aided Design Using Solid Modeling A Workbook For Silver Screen Introduction

In today's digital age, the availability of Computer Aided Design Using Solid Modeling A Workbook For Silver Screen books and manuals for download has revolutionized the way we access information. Gone are the days of physically flipping through pages and carrying heavy textbooks or manuals. With just a few clicks, we can now access a wealth of knowledge from the comfort of our own homes or on the go. This article will explore the advantages of Computer Aided Design Using Solid Modeling A Workbook For Silver Screen books and manuals for download, along with some popular platforms that offer these resources. One of the significant advantages of Computer Aided Design Using Solid Modeling A Workbook For Silver Screen books and manuals for download is the cost-saving aspect. Traditional books and manuals can be costly, especially if you need to purchase several of them for educational or professional purposes. By accessing Computer Aided Design Using Solid Modeling A Workbook For Silver Screen versions, you eliminate the need to spend money on physical copies. This not only saves you money but also reduces the environmental impact associated with book production and transportation.

Furthermore, Computer Aided Design Using Solid Modeling A Workbook For Silver Screen books and manuals for download are incredibly convenient. With just a computer or smartphone and an internet connection, you can access a vast library of resources on any subject imaginable. Whether you're a student looking for textbooks, a professional seeking industry-specific manuals, or someone interested in self-improvement, these digital resources provide an efficient and accessible means of acquiring knowledge. Moreover, PDF books and manuals offer a range of benefits compared to other digital formats. PDF files are designed to retain their formatting regardless of the device used to open them. This ensures that the content appears exactly as intended by the author, with no loss of formatting or missing graphics. Additionally, PDF files can be easily annotated, bookmarked, and searched for specific terms, making them highly practical for studying or referencing. When it comes to accessing Computer Aided Design Using Solid Modeling A Workbook For Silver Screen books and manuals, several platforms offer an extensive collection of resources. One such platform is Project Gutenberg, a nonprofit organization that provides over 60,000 free eBooks. These books are primarily in the public domain, meaning they can be freely

distributed and downloaded. Project Gutenberg offers a wide range of classic literature, making it an excellent resource for literature enthusiasts. Another popular platform for Computer Aided Design Using Solid Modeling A Workbook For Silver Screen books and manuals is Open Library. Open Library is an initiative of the Internet Archive, a non-profit organization dedicated to digitizing cultural artifacts and making them accessible to the public. Open Library hosts millions of books, including both public domain works and contemporary titles. It also allows users to borrow digital copies of certain books for a limited period, similar to a library lending system. Additionally, many universities and educational institutions have their own digital libraries that provide free access to PDF books and manuals. These libraries often offer academic texts, research papers, and technical manuals, making them invaluable resources for students and researchers. Some notable examples include MIT OpenCourseWare, which offers free access to course materials from the Massachusetts Institute of Technology, and the Digital Public Library of America, which provides a vast collection of digitized books and historical documents. In conclusion, Computer Aided Design Using Solid Modeling A Workbook For Silver Screen books and manuals for download have transformed the way we access information. They provide a cost-effective and convenient means of acquiring knowledge, offering the ability to access a vast library of resources at our fingertips. With platforms like Project Gutenberg, Open Library, and various digital libraries offered by educational institutions, we have access to an ever-expanding collection of books and manuals. Whether for educational, professional, or personal purposes, these digital resources serve as valuable tools for continuous learning and self-improvement. So why not take advantage of the vast world of Computer Aided Design Using Solid Modeling A Workbook For Silver Screen books and manuals for download and embark on your journey of knowledge?

FAQs About Computer Aided Design Using Solid Modeling A Workbook For Silver Screen Books

How do I know which eBook platform is the best for me? Finding the best eBook platform depends on your reading preferences and device compatibility. Research different platforms, read user reviews, and explore their features before making a choice. Are free eBooks of good quality? Yes, many reputable platforms offer high-quality free eBooks, including classics and public domain works. However, make sure to verify the source to ensure the eBook credibility. Can I read eBooks without an eReader? Absolutely! Most eBook platforms offer webbased readers or mobile apps that allow you to read eBooks on your computer, tablet, or smartphone. How do I avoid digital eye strain while reading eBooks? To prevent digital eye strain, take regular breaks, adjust the font size and background color, and ensure proper lighting while reading eBooks. What the advantage of interactive eBooks? Interactive eBooks incorporate multimedia elements, quizzes, and activities, enhancing the reader engagement and providing a more immersive learning experience. Computer Aided Design Using Solid

Modeling A Workbook For Silver Screen is one of the best book in our library for free trial. We provide copy of Computer Aided Design Using Solid Modeling A Workbook For Silver Screen in digital format, so the resources that you find are reliable. There are also many Ebooks of related with Computer Aided Design Using Solid Modeling A Workbook For Silver Screen. Where to download Computer Aided Design Using Solid Modeling A Workbook For Silver Screen online for free? Are you looking for Computer Aided Design Using Solid Modeling A Workbook For Silver Screen PDF? This is definitely going to save you time and cash in something you should think about. If you trying to find then search around for online. Without a doubt there are numerous these available and many of them have the freedom. However without doubt you receive whatever you purchase. An alternate way to get ideas is always to check another Computer Aided Design Using Solid Modeling A Workbook For Silver Screen. This method for see exactly what may be included and adopt these ideas to your book. This site will almost certainly help you save time and effort, money and stress. If you are looking for free books then you really should consider finding to assist you try this. Several of Computer Aided Design Using Solid Modeling A Workbook For Silver Screen are for sale to free while some are payable. If you arent sure if the books you would like to download works with for usage along with your computer, it is possible to download free trials. The free guides make it easy for someone to free access online library for download books to your device. You can get free download on free trial for lots of books categories. Our library is the biggest of these that have literally hundreds of thousands of different products categories represented. You will also see that there are specific sites catered to different product types or categories, brands or niches related with Computer Aided Design Using Solid Modeling A Workbook For Silver Screen. So depending on what exactly you are searching, you will be able to choose e books to suit your own need. Need to access completely for Campbell Biology Seventh Edition book? Access Ebook without any digging. And by having access to our ebook online or by storing it on your computer, you have convenient answers with Computer Aided Design Using Solid Modeling A Workbook For Silver Screen To get started finding Computer Aided Design Using Solid Modeling A Workbook For Silver Screen, you are right to find our website which has a comprehensive collection of books online. Our library is the biggest of these that have literally hundreds of thousands of different products represented. You will also see that there are specific sites catered to different categories or niches related with Computer Aided Design Using Solid Modeling A Workbook For Silver Screen So depending on what exactly you are searching, you will be able tochoose ebook to suit your own need. Thank you for reading Computer Aided Design Using Solid Modeling A Workbook For Silver Screen. Maybe you have knowledge that, people have search numerous times for their favorite readings like this Computer Aided Design Using Solid Modeling A Workbook For Silver Screen, but end up in harmful downloads. Rather than reading a good book with a cup of coffee in the afternoon, instead they juggled with some harmful bugs inside their laptop. Computer Aided Design Using Solid Modeling A Workbook For Silver Screen is available in our book collection an online access to it is set as public so you can download it instantly. Our digital library spans in multiple

locations, allowing you to get the most less latency time to download any of our books like this one. Merely said, Computer Aided Design Using Solid Modeling A Workbook For Silver Screen is universally compatible with any devices to read.

Find Computer Aided Design Using Solid Modeling A Workbook For Silver Screen :

advancing democracy

advances in instrumentation and control volume 49 part 2

~~advances in objectoriented information systems oois 2002 workshops montpellier france september 2 2002 proceedings~~

advanced interviewing techniques proven strategies for law enforcement military and security personnel - hardcover

advanced physics for hong kong volume i materials and mechanics

advances in blood grouping volume iii

advances in family psychiatry advances in family psychiatry

advances in heterocyclic chemistry. volume 14

advances in multivariate data analysis

advanced grammar in use

adventure in the wilderness a boys imaginative journey with lehi in the desert

advances in investigation of psychological stress

advanced poker strategy and winning play

advances in tropical meteorology monsoon variability satellite applications and modelling

advancing nursing practice in cancer and palliative care

Computer Aided Design Using Solid Modeling A Workbook For Silver Screen :

la vita di gesu in india la sua vita sconosciuta prima e dopo la - Jul 12 2023

web la vita di gesu in india la sua vita sconosciuta prima e dopo la crocifissione la verita sulla sacra sindone due antiche diocesi dello stretto di messina may 14 2020 this monograph is a comparative study of the saline area and of the aeolian islands dioceses settlement in late antiquity and in the early middle ages

downloadable free pdfs la vita di gesu in india la sua vita sconosciuta - May 30 2022

web la vita di gesu in india la sua vita sconosciuta dalla parte di swann jun 22 2022 la realtà si forma solo nella memoria un morso a un piccolo dolce soffice e ad anni di distanza rivivono le impressioni che durante le vacanze estive nel villaggio di

combray avevano colpito la fervida immaginazione di un ragazzo

la vita di gesu in india la sua vita sconosciuta paramahansa - Feb 24 2022

web la vita di gesu in india la sua vita sconosciuta prima e dopo la crocifissione la verità sulla sacra sindone holger kersten 2017 come essere uno yogi tradotto swâmi abhedânanda 2022 02 04 la filosofia vedânta comprende i diversi rami della scienza dello yoga quattro di queste sono già state trattate a lungo dallo swâmi vivekananda

la vita di gesu in india la sua vita sconosciuta prima e dopo la - May 10 2023

web la vita di gesu in india la sua vita sconosciuta prima e dopo la crocifissione la verità sulla sacra sindone è un libro di holger kersten pubblicato da verdechiaro acquista su lafeltrinelli a 19 00

la vita di gesu in india la sua vita sconosciuta prima e dopo la - Oct 15 2023

web gesu passò gran parte della sua vita in india perché il cristianesimo respinge le prove il teologo holger kersten presenta prove inoppugnabili che gesu ha vissuto veramente in india dove è morto in tarda età

la vita di gesu in india la sua vita sconosciuta pdf - Mar 08 2023

web un apparente leggerezza tocca i nervi scoperti della vita di coppia sessuale e non e gli incagli psicologici di una generazione confusa che ha perso il senso della realtà ma anche il privilegio e la magia

download solutions la vita di gesu in india la sua vita sconosciuta - Sep 02 2022

web la vita di gesu in india la sua vita sconosciuta prima e dopo la crocifissione la verità sulla sacra sindone guardate le mie mani lectio divina sui gesti di gesu dec 20 2022 tre vite di santi i e of tobias saint john the baptist and mary magdalen ridotte ad uso dei giovanetti etc feb 27 2021 saint teresa of avila oct 26 2020

la vita di gesu in india verdechiaro edizioni - Jun 11 2023

web la sua vita sconosciuta prima e dopo la crocifissione la verità sulla sacra sindone gesu passò gran parte della sua vita in india perché il cristianesimo respinge le prove il teologo holger kersten presenta prove inoppugnabili che gesu ha vissuto veramente in india dove è morto in tarda età

la vita di gesu in india la sua vita sconosciuta prima e dopo la - Sep 14 2023

web la vita di gesu in india la sua vita sconosciuta prima e dopo la crocifissione la verità sulla sacra sindone è un libro di holger kersten pubblicato da verdechiaro nella collana spiritualità acquista su ibs a 19 00

riassunto la storia di gesu dalla nascita alla morte - Jan 06 2023

web con la morte di erode un angelo apparve in sogno a giuseppe e gli disse che non aveva alcun motivo di rimanere a betlemme e che poteva riportare la sua famiglia in patria così andarono a stabilirsi a nazareth intanto gesu cresceva sano e forte grazie all amore di maria nell obbedienza di giuseppe e alla grazia di dio che era sempre sopra

gesu vita biografia del fondatore del cristianesimo skoola net - Nov 04 2022

web appunto di religione per le scuole superiori che descrive la vita di gesù cristo con analisi della sua vita e del suo operato viene analizzata anche la sua morte per crocifissione

la vita di gesu in india la sua vita sconosciuta pdf pdf - Aug 01 2022

web la vita di gesu in india la sua vita sconosciuta pdf introduction la vita di gesu in india la sua vita sconosciuta pdf pdf the dante collections in the harvard college and boston public libraries william coolidge lane 1890 i primi gesuiti john w o malley 1999 storia della vita di gesù cristo scritta dal sacerdote giuseppe lorini 1852

la vita di gesù in india la sua vita sconosciuta prima e dopo la - Aug 13 2023

web la vita di gesù in india la sua vita sconosciuta prima e dopo la crocifissione la verità sulla sacra sindone amazon sg books

la vita di gesu in india la sua vita sconosciuta suzanne - Oct 03 2022

web we provide la vita di gesu in india la sua vita sconosciuta and numerous book collections from fictions to scientific research in any way in the midst of them is this la vita di gesu in india la sua vita sconosciuta that can be your partner le missioni cattoliche rivista quindicinale 1890 jesus lived in india holger kersten 2001

la vita di gesù in india la sua vita sconosciuta prima e dopo la - Apr 09 2023

web la vita di gesù in india la sua vita sconosciuta prima e dopo la crocifissione kersten holger amazon com au books

la piccola indi non ce l ha fatta il papà siamo rainews - Apr 28 2022

web nov 13 2023 sono riusciti a prendere il corpo e la dignità di indi ma non potranno mai prendere la sua anima ha continuato dean sapevo che era speciale dal giorno in cui è nata hanno cercato di

indi gregory è morta le ultime notizie meloni fatto tutto il - Mar 28 2022

web 13 novembre 2023 aggiornato alle 10 46 5 minuti di lettura ansa È morta nella notte indi gregory la bimba inglese di otto mesi gravemente malata che era stata al centro di una battaglia

la vita di gesù in india holger kersten macrolibrarsi - Jun 30 2022

web la vita di gesù in india libro la sua vita sconosciuta prima e dopo la crocifissione la verità sulla sacra sindone holger kersten

download free la vita di gesu in india la sua vita sconosciuta - Dec 05 2022

web la vita di gesu in india la sua vita sconosciuta prima e dopo la crocifissione la verita sulla sacra sindone the welfare officer in indian industry jan 27 2022 proceedings conference jan 15 2021 frost hazard in india sep 03 2022 review of the trade of india dec 06 2022

la vita di gesu in india la sua vita sconosciuta pdf fernando - Feb 07 2023

web this la vita di gesu in india la sua vita sconosciuta pdf that can be your partner l evangelista 1894 la vita di gesù in india la sua vita sconosciuta prima e dopo la crocifissione la verità sulla sacra sindone holger kersten 2017 tanegashima the arrival

of europe in japan olof g lidin 2003 12 16 the year 1543 marked the

englische rechtssprache ein studien und arbeitsbuch - Jun 01 2023

web englische rechtssprache ein studien und arbeitsbuch rechtssprache des auslands linhart karin fabry roger amazon com au books

english for lawyers the london school of english - Apr 18 2022

web studien und charakteristiken jan 26 2021 studien und charakteristiken ist ein unveränderter hochwertiger nachdruck der originalausgabe aus dem jahr 1889

9783406764226 *englische rechtssprache ein studien und* - Dec 27 2022

web nov 6 2017 englische rechtssprache ein studien und arbeitsbuch by karin linhart goodreads jump to ratings and reviews want to read buy on amazon rate this book

rechtssprache Übersetzung englisch deutsch dict cc - Jan 16 2022

web 110 geprüfte anwälte für englisches recht auch in ihrer nähe mit bewertungen kompetente rechtsberatung von einem anwalt in ihrer nähe

englische rechtssprache ein studien und arbeitsbuch - Aug 03 2023

web entwicklung der deutschen rechtssprache und grundlegende handbuchartige beiträge zum charakter der rechtssprache treten vertiefende studien etwa zum

englische rechtssprache studien arbeitsbuch zvab - Jul 22 2022

web englische rechtssprache ein studien und arbeitsbuch rechtssprache des auslands finden sie alle bücher von linhart karin bei der büchersuchmaschine

englische rechtssprache ein studien und arbeitsbu 2023 - Feb 14 2022

web a 2012 03 26 statute text in der deutschen rechtssprache ist eine norm eine gesetzesvo f 2012 03 20 rechtssprache bitte hilfe f 2012 03 07 rechtssprache

englische rechtssprache ein studien und arbeitsbuch eurobuch - Oct 25 2022

web englische rechtssprache ein studien und arbeitsbuch finden sie alle bücher von karin linhart bei der büchersuchmaschine eurobuch com können sie antiquarische

englische rechtssprache ein studien und arbeitsbuch eurobuch - Sep 23 2022

web englische rechtssprache ein studien und arbeitsbuch finden sie alle bücher von linhart karin fabry roger bei der büchersuchmaschine eurobuch com können sie

englische rechtssprache ein studien und arbeitsbuch - Aug 23 2022

web englische rechtssprache ein studien und arbeitsbuch von karin linhart und eine große auswahl ähnlicher bücher kunst

und sammlerstücke erhältlich auf zvb.com

englische rechtssprache ein studien und arbeitsbuch eurobuch - Jun 20 2022

web englische rechtssprache ein studien und arbeitsbuch finden sie alle bücher von linhart karin fabry roger bei der büchersuchmaschine eurobuch.com können sie

[□ rechtsanwalt englisches recht □ jetzt vergleichen finden](#) - Dec 15 2021

web oder siehst du nur ein schwarzes a 2015 12 10 auf rundstricknadel bzw nadelspiel müsste es eine rechts verschränkt abge a 2015 05 04 unverzüglich ist rechts

englische rechtssprache ein studien und arbeitsbuch pdf - Jul 02 2023

web englische rechtssprache ein studien und arbeitsbuch rechtssprache des auslands linhart karin fabry roger isbn 9783406710261 kostenloser versand

englische rechtssprache ein studien und arbeitsbuch - Mar 30 2023

web aug 20 2023 linhart englische rechtssprache ein studien und arbeitsbuch c h beck 5 auflage 2021 linhart rechtsenglisch let s exercise beginners 3 auflage

englische rechtssprache 5 auflage 2021 beck - Oct 05 2023

web englische rechtssprache ein studien und arbeitsbuch rechtssprache des auslands linhart karin fabry roger isbn 9783406666087 kostenloser versand

[englische rechtssprache ein studien und arbeitsbuch](#) - Apr 30 2023

web englische rechtssprache ein studien und arbeitsbuch linhart karin fabry roger isbn 9783719039752 kostenloser versand für alle bücher mit versand und verkauf

rechts Übersetzung englisch deutsch dict cc - Nov 13 2021

englische rechtssprache ein studien und arbeitsbuch - Sep 04 2023

web englische rechtssprache ein studien und arbeitsbuch rechtssprache des auslands linhart karin fabry roger isbn 9783406764226 kostenloser versand

englische rechtssprache ein studien und arbeitsbuch pdf - Mar 18 2022

web englische rechtssprache mar 07 2023 deutsche rechtssprache mar 27 2022 schulrecht kurz gefasst feb 23 2022 grundwasserhydraulik dec 04 2022

englische rechtssprache ein studien und arbeitsbuch - Jan 28 2023

web abebooks.com englische rechtssprache ein studien und arbeitsbuch 9783406764226 by linhart karin fabry roger and a great selection of similar new

englische rechtssprache ein studien und arbeitsbuch - Nov 25 2022

web englische rechtssprache ein studien und arbeitsbuch rechtssprache des auslands finden sie alle bücher von linhart karin bei der büchersuchmaschine

kurse in englischer sprache faculty of law uni - Feb 26 2023

web englische rechtssprache ein studien und arbeitsbuch rechtssprache des auslands linhart karin stone corin amazon de bücher

englische rechtssprache ein studien und arbeitsbuch eurobuch - May 20 2022

web english for lawyers sie können aus einer reihe von english for lawyers kursen in london oder online auswählen die kurse richten sich an anwälte rechtsberufe

die erste europa ische generation europakonstrukt uniport edu - Mar 18 2022

web apr 5 2023 die erste europa ische generation europakonstrukt 2 2 downloaded from uniport edu ng on april 5 2023 by guest the new world of un peace operations thorsten benner 2011 06 09 peace operations are the un s flagship activity over the past decade un blue helmets have been dispatched to ever

die erste europa ische generation europakonstrukt pdf - Aug 23 2022

web aug 22 2023 die erste europa ische generation europakonstrukt is available in our digital library an online access to it is set as public so you can download it instantly our digital library hosts in multiple countries allowing

die erste europa ische generation europakonstrukt pdf graph - Apr 18 2022

web die erste europa ische generation europakonstrukt 3 3 volume includes indexes bismarck and the creation of the second reich lucius lucius de the european union s eu powerful legal framework drives the process of european integration the court of justice ecj has established a uniquely effective supranational legal order beyond the

ebook die erste europa ische generation europakonstrukt - Jul 02 2023

web die erste europa ische generation europakonstrukt european integration after amsterdam jan 04 2022 european integration is at a turning point with implications for all member states and their citizens the amsterdam treaty marks a shift towards constitutional issues integration has involved a continually evolving process of constitution making

die erste europa ische generation europakonstrukt - Nov 25 2022

web broadcast as well as perspicacity of this die erste europa ische generation europakonstrukt can be taken as without difficulty as picked to act of paradise and power robert kagan 2007 12 18 from robert kagan a leading scholar of american foreign policy comes an insightful analysis of the state of european and american foreign

die erste europa ische generation europakonstrukt pdf - May 20 2022

web die erste europa ische generation europakonstrukt 1 1 downloaded from uniport edu ng on august 28 2023 by guest die

erste europa ische generation europakonstrukt when people should go to the ebook stores search launch by shop shelf by shelf it is really problematic this is why we present the books compilations in this website

die erste europa ische generation europakonstrukt pdf - Feb 14 2022

web may 28 2023 die erste europa ische generation europakonstrukt 1 3 downloaded from uniport edu ng on may 28 2023 by guest die erste europa ische generation europakonstrukt recognizing the pretentiousness ways to get this books die erste europa ische generation europakonstrukt is additionally useful you have remained in right

die erste europäische generation europakonstruktionen in der - Jun 01 2023

web die erste europäische generation europakonstruktionen in der europäischen jugendkampagne 1951 1958 ebook written by christina norwig read this book using google play books app on your pc

die erste europa ische generation europakonstrukt 2023 - Apr 30 2023

web die erste europa ische generation europakonstrukt covered bonds jan 13 2023 the covered bonds markets are rapidly expanding in terms of issuance geographic reach and the launch of new structured alternatives new issue volumes exceeded 130bn euros by mid october 2005 alone covered bonds are now being issued in new jurisdictions across

geschichte der eu gründung europäische union zeitstrahl - Jan 28 2023

web 1951 die europäische gemeinschaft für kohle und stahl wird von den sechs gründermitgliedstaaten ins leben gerufen 1957 der vertrag von rom schafft die grundlage für einen gemeinsamen markt 1958 gründung der europäischen kommission 1973 die gemeinschaft wächst auf neun mitgliedstaaten an und entwickelt gemeinsame

die erste europa ische generation europakonstrukt - Feb 26 2023

web this die erste europa ische generation europakonstrukt as one of the most in action sellers here will unconditionally be in the midst of the best options to review heine s prose heinrich heine 1899

die erste europa ische generation europakonstrukt download - Sep 04 2023

web oct 30 2023 die erste europa ische generation europakonstrukt omb no 7382259860941 edited by obrien leblanc der europäische helicon oder musen berg transaction publishers the european union s eu powerful legal framework drives the process of european integration the court of justice ecj has established a uniquely

organisationen geschichte der eu planet wissen - Dec 27 2022

web geschichte der eu europa anfang der 1950er jahre der zweite weltkrieg ist vorbei langsam erholt sich der kontinent wieder von dem konflikt der mehrere millionen menschen das leben gekostet hat so etwas will und soll niemand noch einmal erleben von rainer leckebusch und martina frietsch die ersten schritte auf dem weg zur eu

geschichte europas wikipedia - Oct 25 2022

web die erste hälfte des 19 jahrhunderts war von weiteren revolutionen gekennzeichnet aus denen das bürgertum und die

arbeiterklasse in frankreich und england gestärkt hervorgingen 1861 entstand das königreich italien und 1871 das deutsche reich als nationalstaaten wie die meisten damaligen staaten europas in form von

die geschichte der eu kindersache - Sep 23 2022

web may 2 2019 1951 die 6 länder frankreich bundesrepublik deutschland italien belgien luxemburg und die niederlande unterschreiben einen gemeinsamen vertrag und gründen damit die europäische gemeinschaft für kohle und stahl egks ziel des vertrages war es dass zwischen den 6 ländern der handel mit kohle und produkten aus stahl

die erste europa ische generation europakonstrukt 2023 - Oct 05 2023

web die erste europa ische generation europakonstrukt transformative translations in jewish history and culture thulin mirjam 2019 pardes zeitschrift der vereinigung für jüdische studien e v möchte die fruchtbare und facettenreiche kultur des judentums sowie seine berührungspunkte zur umwelt in den unterschiedlichen bereichen

die erste europa ische generation europakonstrukt pdf - Aug 03 2023

web discover the publication die erste europa ische generation europakonstrukt that you are looking for it will enormously squander the time however below later than you visit this web page it will be in view of that very simple to get as capably as download lead die erste europa ische generation europakonstrukt

geschichte der eu bundeskanzleramt Österreich - Jun 20 2022

web mai dem europatag dieses historischen ereignisses gedacht mit der auf dem sogenannten schuman plan aufbauenden gründung der europäischen gemeinschaft für kohle und stahl egks durch die gründerstaaten frankreich deutschland belgien niederlande luxemburg und italien wurde 1952 der grundstein der heutigen eu gelegt

die erste europa ische generation europakonstrukt pdf - Jul 22 2022

web jul 10 2023 they juggled later than some harmful virus inside their computer die erste europa ische generation europakonstrukt is easily reached in our digital library an online access to it is set as public hence you can download it instantly our digital library saves in multiple countries allowing you to get the most less latency times to

ebook die erste europa ische generation europakonstrukt - Mar 30 2023

web die erste europa ische generation europakonstrukt an emerging institution apr 05 2020 this book presents findings from an ambitious comparative project the nine chapters describe results of a theoretically based survey of officials personal approaches to multiple citizenships in this study members of