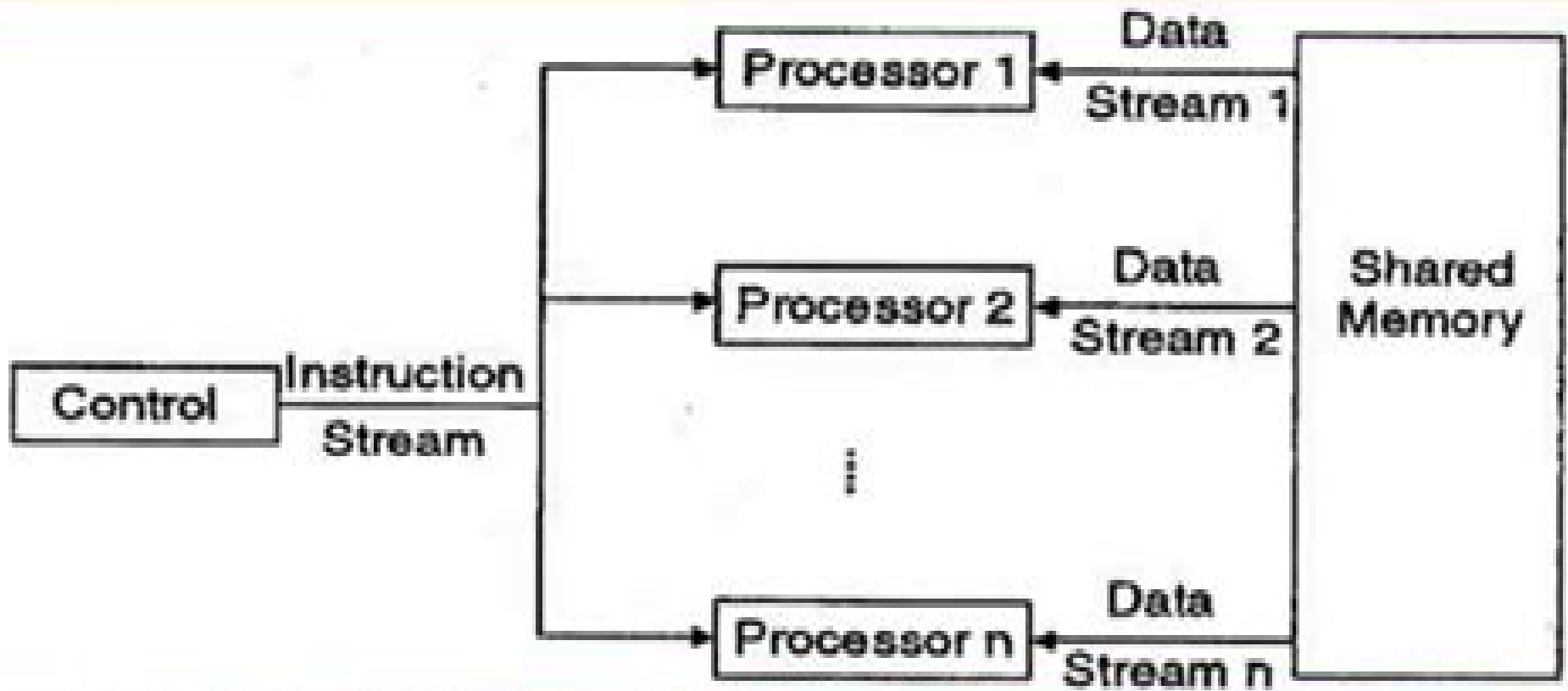


Parallel Processing



COMPUTER SCIENCE ACADEMY BY DINESH SIR



Computer Architecture And Parallel Processing

**Thirumalaisamy P.
Velavancorresponding**



Computer Architecture And Parallel Processing:

Computer Architecture and Parallel Processing Kai Hwang, Fayé Alayé Briggs, 1984 Computer Systems Organization
Parallel architecture *Computer architecture and parallel processing*, 1990 *Computer Architecture and Parallel Processing* Kai Hwang, 1988 *Advanced Computer Architecture and Parallel Processing* Hesham El-Rewini, Mostafa Abd-El-Barr, 2005-03-25 Computer architecture deals with the physical configuration logical structure formats protocols and operational sequences for processing data controlling the configuration and controlling the operations over a computer It also encompasses word lengths instruction codes and the interrelationships among the main parts of a computer or group of computers This two volume set offers a comprehensive coverage of the field of computer organization and architecture
Computer Architecture and Parallel Processing Kai Hwang, 1987 *Computer Architecture and Parallel Processing* Kai Hwang, Fayé A. Briggs, 1984 **Computer Architecture and Parallel Processing** Bharat Bhushan Agarwal, Sumit Prakash Tayal, 2009 *Advanced Computer Architecture* Kai Hwang, 1993 This authoritative volume brings together a balanced and complete treatment of the very latest computer architectures Using a helpful framework based on a machine evolution the author outlines the main approaches to designing computer structures and then covers the scaling of computers and their workloads multicomputers and scalable or multithreaded multiprocessors **Scalable Parallel Computing** Kai Hwang, Zhiwei Xu, 1998 This book covers four areas of parallel computing principles technology architecture and programming It is suitable for professionals and undergraduates taking courses in computer engineering parallel processing computer architecture scaleable computers or distributed computing *Solutions Manual to Accompany: Hwang Advanced Computer Architecture* Hwang-Cheng Wang, Jung-Gen Wu, 1993 This is the instructor s manual to a text which presents the latest technologies for parallel processing and high performance computing The main text deals with advanced computer architecture and parallel processing systems and techniques providing an integrated study of computer hardware and software systems and the material is suitable for use on courses found in computer science computer engineering or electrical engineering departments This material is only available to lecturers *PARALLEL COMPUTERS V.* RAJARAMAN, C. SIVA RAM MURTHY, 2008-07-25 Today parallel computing arouses enormous interest among students and professionals as it is clear that as the new millennium progresses all computers will work in parallel A basic knowledge of the design and use of parallel computers is therefore essential for both students of computing and users of computers Designed as an introductory level textbook for the final year undergraduate students of computer science and engineering this well organized book covers state of the art principles and techniques for designing and programming parallel computers In the process Professor Rajaraman and Dr Siva Ram Murthy with their wealth of knowledge and years of teaching and research experience give a masterly analysis of the various aspects of parallel computing The book begins with an introduction to the current state and developments in parallel computing then it goes on to give a detailed discussion on such topics as

instruction level parallel processing architecture of parallel computers parallel algorithms and parallel programming Besides the book gives an in depth coverage of compiler transformations and operating systems for parallel computers The text concludes with a chapter on performance evaluation of parallel computers Interspersed with copious examples and numerous exercises this timely book should prove to be a handy and treasured volume for students as well as professionals

Introduction to Parallel Processing Behrooz Parhami,2013-10-03 THE CONTEXT OF PARALLEL PROCESSING The field of digital computer architecture has grown explosively in the past two decades Through a steady stream of experimental research tool building efforts and theoretical studies the design of an instruction set architecture once considered an art has been transformed into one of the most quantitative branches of computer technology At the same time better understanding of various forms of concurrency from standard pipelining to massive parallelism and invention of architectural structures to support a reasonably efficient and user friendly programming model for such systems has allowed hardware performance to continue its exponential growth This trend is expected to continue in the near future This explosive growth linked with the expectation that performance will continue its exponential rise with each new generation of hardware and that in stark contrast to software computer hardware will function correctly as soon as it comes off the assembly line has its down side It has led to unprecedented hardware complexity and almost intolerable development costs The challenge facing current and future computer designers is to institute simplicity where we now have complexity to use fundamental theories being developed in this area to gain performance and ease of use benefits from simpler circuits to understand the interplay between technological capabilities and limitations on the one hand and design decisions based on user and application requirements on the other *Experimental Parallel Computing Architectures* J. J. Dongarra,1987 Computer Systems Organization Parallel architecture Parallel Computing Moreshwar R. Bhujade,1995 Parallel Computing Deals With The Topics Of Current Interests In Parallel Processing Architectures Synchronous Parallel Architectures The Synchronous Model Of Parallel Processing Is Based On Two Orthogonal Fundamental Ideas Viz 1 Temporal Parallelism Pipeline Processing And 2 Spatial Parallelism Simd Parallel Processing This Book Is Devoted To An Indepth Treatment Of Both Of The Above Ideas The Primary Goal Here Is To Provide A Deeper Understanding Of The Ideas And Principles Involved And Not The Description Of Machines Which Could Be Found Elsewhere The Material Presented In This Book Has Evolved Through The Advanced Courses Taught By The Author In Architecture And Parallel Processing A One Semester Advanced Course Can Be Planned Employing The Material From This Book Supplemented By The Papers Of Current Interests From Current Technical Literature *Parallel Computer Architecture* David E. Culler,2000 **A Flexible Parallel Processing Computer Architecture Design for Internetworked Computer Systems** Jason L. Dezanett,1997 *Parallel Computer Architecture: A Hardware/Software Approach* David E. Culler,2010-01-01 **Parallel Processing, 1980 to 2020** Robert Kuhn,David Padua,2020-10-14 This historical survey of parallel processing from 1980 to 2020 is a follow up to the authors 1981 Tutorial

on Parallel Processing which covered the state of the art in hardware programming languages and applications Here we cover the evolution of the field since 1980 in parallel computers ranging from the Cyber 205 to clusters now approaching an exaflop to multicore microprocessors and Graphic Processing Units GPUs in commodity personal devices parallel programming notations such as OpenMP MPI message passing and CUDA streaming notation and seven parallel applications such as finite element analysis and computer vision Some things that looked like they would be major trends in 1981 such as big Single Instruction Multiple Data arrays disappeared for some time but have been revived recently in deep neural network processors There are now major trends that did not exist in 1980 such as GPUs distributed memory machines and parallel processing in nearly every commodity device This book is intended for those that already have some knowledge of parallel processing today and want to learn about the history of the three areas In parallel hardware every major parallel architecture type from 1980 has scaled up in performance and scaled out into commodity microprocessors and GPUs so that every personal and embedded device is a parallel processor There has been a confluence of parallel architecture types into hybrid parallel systems Much of the impetus for change has been Moore s Law but as clock speed increases have stopped and feature size decreases have slowed down there has been increased demand on parallel processing to continue performance gains In programming notations and compilers we observe that the roots of today s programming notations existed before 1980 And that through a great deal of research the most widely used programming notations today although the result of much broadening of these roots remain close to target system architectures allowing the programmer to almost explicitly use the target s parallelism to the best of their ability The parallel versions of applications directly or indirectly impact nearly everyone computer expert or not and parallelism has brought about major breakthroughs in numerous application areas Seven parallel applications are studied in this book Parallel Processing Architectures and VLSI Hardware Angel L. DeCegama,1989 **Computer Architecture** Michael J. Flynn,1995 Computer Architecture Software Engineering

This Captivating World of Kindle Books: A Detailed Guide Unveiling the Advantages of E-book Books: A Realm of Ease and Flexibility Kindle books, with their inherent portability and simplicity of access, have liberated readers from the limitations of physical books. Gone are the days of lugging cumbersome novels or carefully searching for specific titles in shops. Kindle devices, stylish and lightweight, effortlessly store an wide library of books, allowing readers to indulge in their favorite reads anytime, everywhere. Whether commuting on a busy train, relaxing on a sun-kissed beach, or just cozying up in bed, Kindle books provide an exceptional level of ease. A Reading Universe Unfolded: Discovering the Wide Array of Kindle Computer Architecture And Parallel Processing Computer Architecture And Parallel Processing The Kindle Store, a virtual treasure trove of literary gems, boasts an wide collection of books spanning diverse genres, catering to every readers preference and preference. From captivating fiction and thought-provoking non-fiction to timeless classics and contemporary bestsellers, the Kindle Shop offers an unparalleled variety of titles to explore. Whether seeking escape through engrossing tales of imagination and adventure, delving into the depths of past narratives, or broadening ones understanding with insightful works of scientific and philosophical, the E-book Shop provides a doorway to a literary universe brimming with limitless possibilities. A Revolutionary Force in the Literary Scene: The Enduring Influence of E-book Books Computer Architecture And Parallel Processing The advent of Kindle books has unquestionably reshaped the literary scene, introducing a model shift in the way books are released, distributed, and read. Traditional publication houses have embraced the digital revolution, adapting their approaches to accommodate the growing need for e-books. This has led to a surge in the accessibility of E-book titles, ensuring that readers have access to a vast array of literary works at their fingertips. Moreover, Kindle books have democratized access to literature, breaking down geographical barriers and providing readers worldwide with equal opportunities to engage with the written word. Irrespective of their location or socioeconomic background, individuals can now immerse themselves in the intriguing world of literature, fostering a global community of readers. Conclusion: Embracing the Kindle Experience Computer Architecture And Parallel Processing E-book books Computer Architecture And Parallel Processing, with their inherent ease, flexibility, and wide array of titles, have certainly transformed the way we experience literature. They offer readers the freedom to explore the limitless realm of written expression, anytime, anywhere. As we continue to travel the ever-evolving digital landscape, Kindle books stand as testament to the persistent power of storytelling, ensuring that the joy of reading remains accessible to all.

https://gandalf.roeckerfam.com/files/detail/index.jsp/Crisantemo_Chrysanthemum.pdf

Table of Contents Computer Architecture And Parallel Processing

1. Understanding the eBook Computer Architecture And Parallel Processing
 - The Rise of Digital Reading Computer Architecture And Parallel Processing
 - Advantages of eBooks Over Traditional Books
2. Identifying Computer Architecture And Parallel Processing
 - Exploring Different Genres
 - Considering Fiction vs. Non-Fiction
 - Determining Your Reading Goals
3. Choosing the Right eBook Platform
 - Popular eBook Platforms
 - Features to Look for in an Computer Architecture And Parallel Processing
 - User-Friendly Interface
4. Exploring eBook Recommendations from Computer Architecture And Parallel Processing
 - Personalized Recommendations
 - Computer Architecture And Parallel Processing User Reviews and Ratings
 - Computer Architecture And Parallel Processing and Bestseller Lists
5. Accessing Computer Architecture And Parallel Processing Free and Paid eBooks
 - Computer Architecture And Parallel Processing Public Domain eBooks
 - Computer Architecture And Parallel Processing eBook Subscription Services
 - Computer Architecture And Parallel Processing Budget-Friendly Options
6. Navigating Computer Architecture And Parallel Processing eBook Formats
 - ePub, PDF, MOBI, and More
 - Computer Architecture And Parallel Processing Compatibility with Devices
 - Computer Architecture And Parallel Processing Enhanced eBook Features
7. Enhancing Your Reading Experience
 - Adjustable Fonts and Text Sizes of Computer Architecture And Parallel Processing
 - Highlighting and Note-Taking Computer Architecture And Parallel Processing
 - Interactive Elements Computer Architecture And Parallel Processing
8. Staying Engaged with Computer Architecture And Parallel Processing

- Joining Online Reading Communities
 - Participating in Virtual Book Clubs
 - Following Authors and Publishers Computer Architecture And Parallel Processing
9. Balancing eBooks and Physical Books Computer Architecture And Parallel Processing
- Benefits of a Digital Library
 - Creating a Diverse Reading Collection Computer Architecture And Parallel Processing
10. Overcoming Reading Challenges
- Dealing with Digital Eye Strain
 - Minimizing Distractions
 - Managing Screen Time
11. Cultivating a Reading Routine Computer Architecture And Parallel Processing
- Setting Reading Goals Computer Architecture And Parallel Processing
 - Carving Out Dedicated Reading Time
12. Sourcing Reliable Information of Computer Architecture And Parallel Processing
- Fact-Checking eBook Content of Computer Architecture And Parallel Processing
 - Distinguishing Credible Sources
13. Promoting Lifelong Learning
- Utilizing eBooks for Skill Development
 - Exploring Educational eBooks
14. Embracing eBook Trends
- Integration of Multimedia Elements
 - Interactive and Gamified eBooks

Computer Architecture And Parallel Processing Introduction

In the digital age, access to information has become easier than ever before. The ability to download Computer Architecture And Parallel Processing has revolutionized the way we consume written content. Whether you are a student looking for course material, an avid reader searching for your next favorite book, or a professional seeking research papers, the option to download Computer Architecture And Parallel Processing has opened up a world of possibilities. Downloading Computer Architecture And Parallel Processing provides numerous advantages over physical copies of books and documents. Firstly, it is incredibly convenient. Gone are the days of carrying around heavy textbooks or bulky folders filled with papers. With the

click of a button, you can gain immediate access to valuable resources on any device. This convenience allows for efficient studying, researching, and reading on the go. Moreover, the cost-effective nature of downloading Computer Architecture And Parallel Processing has democratized knowledge. Traditional books and academic journals can be expensive, making it difficult for individuals with limited financial resources to access information. By offering free PDF downloads, publishers and authors are enabling a wider audience to benefit from their work. This inclusivity promotes equal opportunities for learning and personal growth. There are numerous websites and platforms where individuals can download Computer Architecture And Parallel Processing. These websites range from academic databases offering research papers and journals to online libraries with an expansive collection of books from various genres. Many authors and publishers also upload their work to specific websites, granting readers access to their content without any charge. These platforms not only provide access to existing literature but also serve as an excellent platform for undiscovered authors to share their work with the world. However, it is essential to be cautious while downloading Computer Architecture And Parallel Processing. Some websites may offer pirated or illegally obtained copies of copyrighted material. Engaging in such activities not only violates copyright laws but also undermines the efforts of authors, publishers, and researchers. To ensure ethical downloading, it is advisable to utilize reputable websites that prioritize the legal distribution of content. When downloading Computer Architecture And Parallel Processing, users should also consider the potential security risks associated with online platforms. Malicious actors may exploit vulnerabilities in unprotected websites to distribute malware or steal personal information. To protect themselves, individuals should ensure their devices have reliable antivirus software installed and validate the legitimacy of the websites they are downloading from. In conclusion, the ability to download Computer Architecture And Parallel Processing has transformed the way we access information. With the convenience, cost-effectiveness, and accessibility it offers, free PDF downloads have become a popular choice for students, researchers, and book lovers worldwide. However, it is crucial to engage in ethical downloading practices and prioritize personal security when utilizing online platforms. By doing so, individuals can make the most of the vast array of free PDF resources available and embark on a journey of continuous learning and intellectual growth.

FAQs About Computer Architecture And Parallel Processing Books

How do I know which eBook platform is the best for me? Finding the best eBook platform depends on your reading preferences and device compatibility. Research different platforms, read user reviews, and explore their features before making a choice. Are free eBooks of good quality? Yes, many reputable platforms offer high-quality free eBooks, including classics and public domain works. However, make sure to verify the source to ensure the eBook credibility. Can I read

eBooks without an eReader? Absolutely! Most eBook platforms offer web-based readers or mobile apps that allow you to read eBooks on your computer, tablet, or smartphone. How do I avoid digital eye strain while reading eBooks? To prevent digital eye strain, take regular breaks, adjust the font size and background color, and ensure proper lighting while reading eBooks. What the advantage of interactive eBooks? Interactive eBooks incorporate multimedia elements, quizzes, and activities, enhancing the reader engagement and providing a more immersive learning experience. Computer Architecture And Parallel Processing is one of the best book in our library for free trial. We provide copy of Computer Architecture And Parallel Processing in digital format, so the resources that you find are reliable. There are also many Ebooks of related with Computer Architecture And Parallel Processing. Where to download Computer Architecture And Parallel Processing online for free? Are you looking for Computer Architecture And Parallel Processing PDF? This is definitely going to save you time and cash in something you should think about.

Find Computer Architecture And Parallel Processing :

[crisantemo / chrysanthemum](#)

[cross-stitch](#)

[critical historian](#)

[critical convergences](#)

[crobing boundaries stories from the frontier internship in mibion programme](#)

[critical phenomena 1983 brasov school conference progress in physics vol 11](#)

[crisis in the philippines a threat to us interests](#)

[critical guide to leaves of grass](#)

[crisis of democratic theory scientific naturalism and the problem of value](#)

critical historical miscellaneous es

[critical issues in crime and justice](#)

[erm project management handbook building realistic expectations and managing risk](#)

crosscurrents hydroelectricity and the engineering of northern ontario

cronica de unamuerte anunciada

critical concepts

Computer Architecture And Parallel Processing :

[fatture mensili prenotazioni booking donate pfi org](#) - Dec 31 2021

web fatture mensili prenotazioni booking fatture mensili prenotazioni booking 2 downloaded from donate pfi org on 2020 02 21 by guest practices are succeeding in

[fatture mensili prenotazioni booking](#) - May 04 2022

web 2 fatture mensili prenotazioni booking 2023 05 13 the customer revolution mcgraw hill professional this springer brief provides a comprehensive overview of the

[prenotazioni e chek out booking com for partners](#) - Oct 09 2022

web prenotazioni e chek out buongiorno avrei bisogno di sapere se c è un opzione sul sito che dal check out i due giorni seguenti si possono mettere in automatico occupati così ho

novità come gestire le fatture mensili da booking com - Jul 18 2023

web aug 19 2022 novità come gestire le fatture mensili da booking com expedia airbnb quovai customer care agosto 19 2022 quovai news vi parliamo di una

commissioni fatture e tasse booking com for partners - Sep 20 2023

web fatturazione da booking com modificare i dati bancari e per le fatture pagare le fatture riaprire la tua struttura dopo aver pagato una fattura in ritardo rivedere il tuo resoconto prenotazioni tutto quello che devi sapere sull addebito diretto contestazione delle

[fatture mensili prenotazioni booking uniport edu ng](#) - Jul 26 2021

web aug 7 2023 fatture mensili prenotazioni booking 1 11 downloaded from uniport edu ng on august 7 2023 by guest fatture mensili prenotazioni booking recognizing the

come posso ricevere la fattura booking com for business - Mar 14 2023

web puoi contattarla direttamente per ricevere la fattura se hai bisogno di supporto contatta la nostra assistenza clienti per i voli contattaci qui per richiedere la fattura del tuo volo

[assistenza clienti booking com](#) - Jun 05 2022

web certo puoi fare le modifiche che ti servono dall e mail di conferma oppure su booking com a seconda delle condizioni della struttura puoi cambiare l ora del check in check out

[post per i nuovi partner aprire la tua struttura alle prenotazioni](#) - Aug 07 2022

web ciao a tutti una delle domande più frequenti che leggo riguarda come aprire la propria struttura su booking com ecco quindi una facile guida creata con l aiuto dei miei

[impostare i piani tariffari mensili booking com for partners](#) - Nov 10 2022

web puoi impostare i piani tariffari mensili seguendo questi passaggi accedi all extranet clicca su tariffe e disponibilità e poi su piani tariffari clicca su aggiungi un nuovo piano

fatture mensili prenotazioni booking pdf - Nov 29 2021

web fatture mensili prenotazioni booking pdf pages 2 23 fatture mensili prenotazioni booking pdf upload mia s boyle 2 23 downloaded from aeromeet2021 malaysia travel

scaricare le fatture mensili complessive booking com for - Jan 12 2023

web scaricare le fatture mensili complessive buonasera anzichè scaricare i pdf per singola struttura ho modo di scaricare un file unico che riporti il dettaglio di tutto il fatturato mese

tariffe settimanali e mensili booking com for partners - May 16 2023

web ti confermiamo che le tariffe settimanali e mensili hanno dei soggiorni minimi rispettivamente di 7 e 28 giorni pertanto non saranno prenotabili e visibili per chi ricerca

rezervasyon millet kütüphanesi - Aug 27 2021

web rezervasyon koşulları 1 rezervasyon işlemlerinin yapılabilmesi için kütüphaneye üye olunması gerekmektedir kütüphaneye e devlet üzerinden üye olunabilir 2 grup ve

fattura booking come fare la fattura per l ospite esempio - Sep 08 2022

web booking è un intermediario e non invierà alcuna fattura o ricevuta fiscale per le prenotazioni delle stanze o della casa né a te né ai tuoi ospiti quando gli ospiti

prenotazioni di due ospiti diversi in stessa data come è - Jul 06 2022

web buongiorno ho ricevuto nel mese di settembre 2023 una prenotazione per agosto 2024 da un ospite ora ad ottobre 2023 ricevo per lo stesso periodo la prenotazione di un

fatture mensili prenotazioni booking pdf 2023 dsm - Sep 27 2021

web webfatture mensili prenotazioni booking fatture mensili prenotazioni booking 2 downloaded from old restorativejustice org on 2023 07 26 by guest the realities of a

devo fornire la fattura agli ospiti booking com for partners - Aug 19 2023

web come funziona per le fatture per gli ospiti riguardanti le prenotazioni che usano i pagamenti online o i pagamenti tramite booking com anche nei casi in cui

fatture mensili prenotazioni booking - Mar 02 2022

web 2 fatture mensili prenotazioni booking 2020 06 01 and take the road less traveled looking for just the highlights of new york city check out lonely planet s discover

fatture mensili prenotazioni booking - Feb 01 2022

web fatture mensili prenotazioni booking downloaded from store1 shops widebot net by guest shaniya kyleigh raising
vegetarian children penguin this publication

tariffe settimanali e mensili booking com for partners - Apr 15 2023

web prenotazioni commissioni fatture e tasse tariffe e disponibilità condizioni e pagamenti degli ospiti lavorare con booking
com primi passi con booking com account e

fatture mensili prenotazioni ing wp publish com - Oct 29 2021

web fatture mensili prenotazioni ing decoding fatture mensili prenotazioni ing revealing the captivating potential of verbal
expression in a period characterized by

come posso ricevere la fattura booking com for business - Dec 11 2022

web per i voli invia un e mail a cwt e includi richiesta fattura nella riga dell oggetto fornisci inoltre a cwt quanto segue nome
del viaggiatore data di partenza prima destinazione

fatture mensili booking booking com for partners - Jun 17 2023

web fatture mensili booking salve magari l argomento è trito e ritrito ma come funziona la commissione booking ho appena
iniziato l attività e vedo che booking trattiene delle

come fatturo all ospite quando utilizzo booking flextax it - Feb 13 2023

web se il cliente paga a booking la fattura al cliente la emette booking il portale booking emette fattura per la commissione e
spese d incasso iva 22

tasse booking commissioni affitti brevi e normative fiscali - Apr 03 2022

web mar 31 2023 tasse con booking e cedolare secca in merito alla tassazione prevista per chi sceglie di utilizzare booking
si fa riferimento alla legge gentiloni che regola gli affitti

comptia security certification study guide second e - Sep 22 2022

web sep 3 2023 comptia security certification study guide second e comptia security review guide may 19 2022 learn the ins
and outs of the it security field and efficiently prepare for the comptia security exam sy0 601 with one easy to follow resource
comptia security review guide exam sy0 601 fifth edition helps you to efficiently

comptia security certification training learn security online udemy - Aug 02 2023

web the comptia security certification is the industry standard for testing the minimum skills that an it security professional
needs on the job this certificate complies with iso 17024 standards and meets the directive 8140 8570 01 m requirements of
the department of defense this certification covers the role of junior it auditor penetration

comptia security certification study guide second edition - Oct 04 2023

web jul 14 2014 with hundreds of practice exam questions including newperformance based questions comptia security

certification study guide second edition covers what you need to know and shows you how to prepare for this challenging exam 100 complete coverage of all official objectives for exam sy0 401

free study guide for the comptia security updated 2024 - Sep 03 2023

web free study guide for the comptia security updated 2023 free study guides for the comptia security you might have tons of resources about security procedures and concepts but these free study guides for the comptia security test outline exactly what is covered on it

how do i get my comptia security certification - Oct 24 2022

web it will prepare you to take the comptia security exam by providing 100 percent coverage of the objectives and content examples listed on the syllabus browse our store or visit the official comptia security study guide page to learn more another great way to get an idea of what questions you can expect is to download a set of practice questions

what is comptia security certification - Apr 29 2023

web comptia security certification is a global certification exam that validates the baseline skills you need to perform core security functions and pursue an it security career comptia security emphasizes hands on practical skills ensuring the security professional is better prepared to problem solve a wider variety of issues it is the first

security plus certification comptia it certifications - May 19 2022

web the comptia security certification exam will verify the successful candidate has the knowledge and skills required to assess the security posture of an enterprise environment and recommend and implement appropriate security solutions monitor and secure hybrid environments including cloud mobile and iot operate with an awareness of

comptia security certification study guide second edition - Feb 25 2023

web jul 11 2014 with hundreds of practice exam questions including new performance based questions comptia security certification study guide second edition covers what you need to know and shows you how to prepare for this challenging exam 100 complete coverage of all official objectives for exam sy0 401

comptia security certification study guide second edition - Jul 01 2023

web title comptia security certification study guide second edition exam sy0 401 2nd edition author s glen e clarke release date july 2014 publisher s mcgraw hill isbn 9780071841276 the best fully integrated study system available for the comptia security exam prepare for comptia security exam sy0 401 with mcgraw hill

comptia security certification study guide second edition - Jan 27 2023

web jul 11 2014 with hundreds of practice exam questions including new performance based questions comptia security certification study guide second edition covers what you need to know and shows you how to prepare for this challenging exam 100 complete coverage of all official objectives for exam sy0 401

comptia security certification study guide second edition - Aug 22 2022

web the best fully integrated study system available for the comptia security exam prepare for comptia security exam sy0 401 with mcgraw hill professional a platinum level comptia authorized partner offering authorized comptia approved quality content to give you the competitive edge on exam day with hundreds of practice exam questions

certification study guides and books comptia it certifications - Dec 26 2022

web choose from our library of comptia books to study for your certification exam are you ready to learn start the path toward your certification with study guides from comptia today

comptia security certification study guide second edition - Jul 21 2022

web jul 14 2014 comptia security certification study guide second edition exam sy0 401 certification press by glen e clarke click here for the lowest price paperback 9780071841283 0071841288

comptia security certification kit exam sy0 601 - Mar 17 2022

web feb 9 2021 the comptia security certification kit includes comptia security study guide exam sy0 601 8th edition or contributed to 17 books on topics including security certification and cyberwarfare the first two are explicitly highlighted and outlined e g the first type is the second type is

comptia security certification study guide springer - Feb 13 2022

web comptia security certification study guide network security essentials isbn 13 pbk 978 1 4842 6233 7 isbn 13 electronic 978 1 4842 6234 4

comptia cloud essentials certification study guide second - Nov 24 2022

web feb 28 2020 filled with hands on exercises and practice exam questions comptia cloud essentials tm certification study guide second edition exam clo 002 covers what you need to know and shows you how to prepare for this challenging exam

comptia security sy0 601 certification guide 2nd ed - May 31 2023

web authored by ian neil a world class comptia certification trainer this book is a best in class study guide that fully covers the comptia security 601 exam objectives complete with chapter review questions realistic mock exams and worked solutions this guide will help you master the core concepts to pass the exam the first time you take it

comptia security certification study guide fourth edition - Apr 17 2022

web covers all exam topics including networking basics and terminology security terminology security policies and standards types of attacks vulnerabilities and threats mitigating security threats implementing host based security securing the network infrastructure wireless networking and security authentication

comptia security certification study guide fourth edition - Mar 29 2023

web release date september 2021 publisher s mcgraw hill isbn 9781260467949 this fully updated self study guide offers 100

coverage of every objective on the comptia security exam with hundreds of practice exam questions including difficult performance based questions comptia security certification study

comptia security certification study guide second - Jun 19 2022

web comptia security certification study guide second edition exam sy0 401 2nd edition is written by glen e clarke and published by mcgraw hill the digital and etextbook isbn for comptia security certification study guide second edition exam sy0 401 are 9780071841276 007184127x and the print isbn are

chapter 5 section 3 using thermal energy chapter review quizlet - May 11 2023

web study with quizlet and memorize flashcards containing terms like temperature radiation heat and more *what are the answers to physical science section 16 3 using heat* - Aug 02 2022

web what are the answers to physical science section 16 3 using heat updated 4 28 2022 wiki user 9y ago study now see answer 1 best answer copy just type in the name

section 16 3 using heat flashcards quizlet - Jun 12 2023

web a device that reverses the normal flow of thermal energy refrigerant a fluid that vaporizes and condenses tubing of a heat pump study with quizlet and memorize flashcards

section 3 using heat answers pdf cyberlab sutd edu sg - Dec 06 2022

web section 3 using heat answers maths physics and clinical measurement for anaesthesia and intensive care mar 11 2023 covers essential information on maths physics and

assessment quiz section using heat orientation sutd edu sg - Sep 03 2022

web assessment quiz section using heat assessment quiz section using heat energy in buildings 2 4 1 calculating the total heat loss may 14th 2018 i wrote an answer for

section 3 using heat reinforcement answers pdf - Nov 05 2022

web section 3 using heat reinforcement answers energy research and development and small business how much how much more from small business how soon oct 02

section 3 using heat worksheet answers briefencounters - Feb 25 2022

web dec 30 2018 thermal energy temperature and heat worksheet from section 3 using heat worksheet answers source ngtank com you can also turn to online resources for

section 3 using heat answers orientation sutd edu sg - May 31 2022

web section 3 using heat answers copanestlepurelife com june 10th 2018 document readers online 2018 section 3 using heat answers section 3 using heat answers

section 16 3 using heat flashcards quizlet - Oct 16 2023

web preview terms in this set 11 external combustion engine an engine that burns fuel outside the engine internal combustion engine a heat engine in which the fuel burns inside the

[chapter 16 thermal energy and heat section 16 3 using heat](#) - Mar 09 2023

web section 16 3 using heat pages 486 492 this section describes ways in which humans benefit from heat engines heating systems and cooling systems it also discusses how

home sap education - Jan 07 2023

web we would like to show you a description here but the site won t allow us

section 3 using heat answers - Oct 04 2022

web section 3 using heat answers yeah reviewing a book section 3 using heat answers could ensue your near associates listings this is just one of the solutions for you to be

get the free section 16 3 using heat answer key form pdf filler - Sep 15 2023

web name chapter 16 class date thermal energy and heat section 16 3 using heat pages 486 492 this section describes ways in which humans benefit from heat engines

which of the following gives so₃ on heating toppr - Jan 27 2022

web the following reaction takes place $2\text{FeSO}_4 \cdot 7\text{H}_2\text{O} \rightarrow \text{Fe}_2\text{O}_3 + \text{SO}_2 + \text{SO}_3 + 2\text{H}_2\text{O}$ evolves as gases the remaining residue is the solid Fe_2O_3 ferric oxide which is a

section 16 3 using heat answer key form signnow - Mar 29 2022

web section 3 using heat worksheet answers check out how easy it is to complete and esign documents online using fillable templates and a powerful editor get everything

dyson hair dryer review 2023 our thoughts on the supersonic - Nov 24 2021

web the first time i used the supersonic i was quickly proven wrong right out of the box the dyson supersonic looks and feels more elevated than any hair dryer i ve used before it s

section 3 reinforcement using heat answers pdf beta wecounsel - Jul 01 2022

web section 3 reinforcement using heat answers 3 3 notation used throughout text to reinforce the connectedness of the topics and to minimize student confusion a common

chapter 5 section 3 using thermal energy flashcards quizlet - Jul 13 2023

web terms in this set 8 forced air systems most common type of heating using a furnace to heat air then a fan blows air through ducts to rooms radiator system hot water or steam

[kiasuparents parenting in singapore](#) - Oct 24 2021

web apr 26 2015 ans 3 heat travels from hotter region to cooler region metal box will loose heat to cold ice cube ice cube

gains heat here its temperature increases metalbox

chapter 5 thermal energy flashcards quizlet - Apr 10 2023

web learn test match q chat created by jesterseye teacher section 1 temperature thermal energy and heat section 2

conduction convection and radiation section 3 using

physical science chapter 16 section 16 2 heat and - Aug 14 2023

web conduction click the card to flip 1 36 created by amy oleinik teacher terms in this set 36 the transfer of thermal energy with no overall transfer of matter is called conduction

section 3 using heat reinforcement answers norman hewitt - Apr 29 2022

web we allow section 3 using heat reinforcement answers and numerous books collections from fictions to scientific research in any way accompanied by them is this section 3

section 3 reinforcement using heat answers copy esource svb - Dec 26 2021

web section 3 reinforcement using heat answers reinforcement learning 2 grid world design of rc columns part 3 uni axial and bi axial moments managing challenging

section 3 using heat answers copy cyberlab sutd edu sg - Feb 08 2023

web heat and mass transfer dec 23 2020 this textbook presents the classical treatment of the problems of heat transfer in an exhaustive manner with due emphasis on understanding