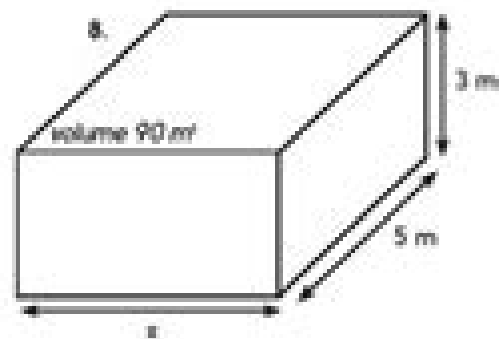
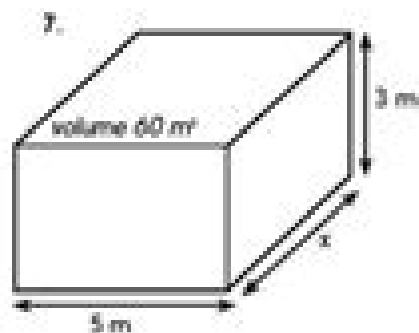
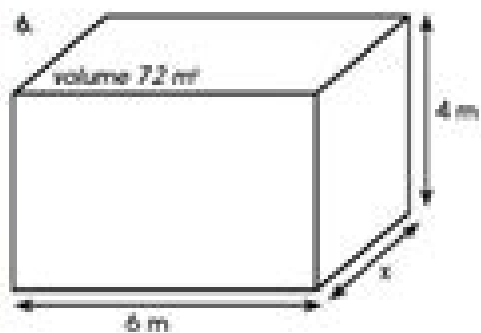
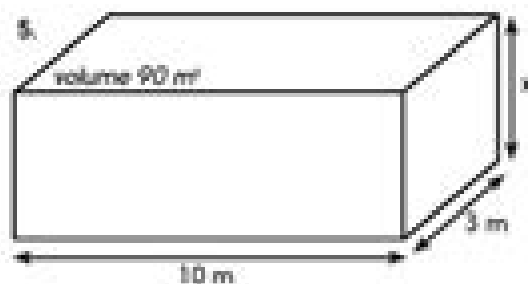
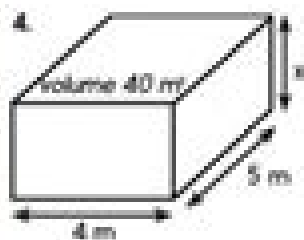
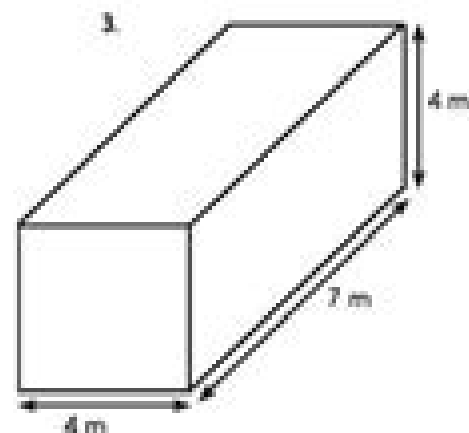
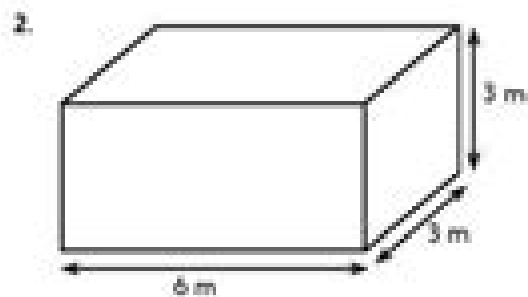
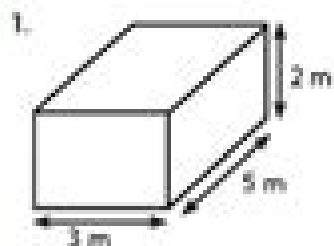


Finding volumes of cuboids and missing dimensions

Sheet 1



Canadas Missing Dimension

Geoffrey A.J. Scott



Canadas Missing Dimension:

Canada's Missing Dimension Charles Richard Harington,1990 **Canada's Missing Dimension: Scientific research. The earth. Freshwater, sea and ice. The atmosphere. The plants** Charles Richard Harington,1990 Canada's Missing Dimension: Insects. Fishes, birds and mammals. Human prehistory. History and recent expeditions Charles Richard Harington,1990 **Marine Fishes of Arctic Canada** Brian W. Coad,James D. Reist,2018-01-01 Marine Fishes of Arctic Canada is an accessible and up to date study on the diverse marine fish population existing in Canadian waters **Canada's Vegetation** Geoffrey A.J. Scott,1995-01-10 Canada s Vegetation includes comprehensive sections on tundra forest tundra boreal forest and mixed forest transition prairie steppe Cordilleran environments in western North America temperate deciduous forests and wetlands An overview of each ecosystem is provided and equivalent vegetation types throughout the world are reviewed and compared with those in Canada The integration of data on climate soil and vegetation in a single volume makes this an invaluable reference tool Canada s Vegetation is sure to become a standard textbook for those in the environmental sciences In Order to Live Untroubled Renee Fossett,2001-07-05 Despite the long human history of the Canadian central arctic there is still little historical writing on the Inuit peoples of this vast region Although archaeologists and anthropologists have studied ancient and contemporary Inuit societies the Inuit world in the crucial period from the 16th to the 20th centuries remains largely undescribed and unexplained In Order to Live Untroubled helps fill this 400 year gap by providing the first broad historical survey of the Inuit peoples of the central arctic Drawing on a wide array of eyewitness accounts journals oral sources and findings from material culture and other disciplines historian Renee Fossett explains how different Inuit societies developed strategies and adaptations for survival to deal with the challenges of their physical and social environments over the centuries In Order to Live Untroubled examines how and why Inuit created their cultural institutions before they came under the pervasive influence of Euro Canadian society This fascinating account of Inuit encounters with explorers fur traders and other Aboriginal peoples is a rich and detailed glimpse into a long hidden historical world **Encyclopedia of the Arctic** Mark Nuttall,2005-09-23 With detailed essays on the Arctic s environment wildlife climate history exploration resources economics politics indigenous cultures and languages conservation initiatives and more this Encyclopedia is the only major work and comprehensive reference on this vast complex changing and increasingly important part of the globe Including 305 maps This Encyclopedia is not only an interdisciplinary work of reference for all those involved in teaching or researching Arctic issues but a fascinating and comprehensive resource for residents of the Arctic and all those concerned with global environmental issues sustainability science and human interactions with the environment *Catalogue of Type Invertebrate Fossils of the Geological Survey of Canada* Thomas Elwood Bolton,1992 This is the eighth volume in the series of catalogues detailing the type of invertebrate fossils in the GSC collection in Ottawa The catalogue mainly includes all fossils described between late 1981 and 1990 Descriptions or illustrations of fossils listed in

previous volumes but redescribed during the period are also included Primary type categories Holotype Paratype Syntype Lectotype Neotype and secondary Hypotype Topotype and figured specimens are used with the same connotations as in previous volumes The original reference for each species is cited as well as subsequent reviews directly involving the forms listed

The Arctic Jack D. Ives, Roger G. Barry, 2019-09-18 Originally published in 2000 The Arctic provides a comprehensive overview of the region's rapidly changing physical and human dimensions and demonstrates the importance of communication between natural scientists, social scientists and local stakeholders in response to the tremendous challenges and opportunities facing the Arctic It is an essential resource for all Arctic researchers particularly those developing multidisciplinary projects It provides an overview of key areas of Arctic research by renowned specialists in the field and each chapter forms a detailed, varied and accessible account of current knowledge Each author introduces the subject to a specialist readership while retaining intellectual integrity and relevance for specialists Overall the richness of the material presented in this volume reflects the ecological and cultural diversity of this vast and environmentally critical part of the globe

Memoirs of the Entomological Society of Canada, 1992

Status of Wolves in the Canadian Arctic Archipelago F. L. Miller, Canadian Wildlife Service, Western and Northern Region, 1993 In this paper the author compiles information on Arctic island wolves and their ungulate prey provides a starting point for the evaluation of the status of wolves on the Arctic Islands of Canada and offers an initial analysis of the status or potential status of those wolves by examining the size of the ungulate prey base

The Canadian Field-naturalist, 1916

Bulletin - Geological Survey of Canada Geological Survey of Canada, 1998

Canadian Journal of Zoology, 2011

Human Ecology and Climate Change David Lawrence Peterson, Darryll R. Johnson, 1995 First Published in 1995 Routledge is an imprint of Taylor Francis an informa company

Meteorological and Geostrophysical Abstracts, 1991 Covering the world's literature on meteorology climatology atmospheric chemistry and physics physical oceanography hydrology glaciology and related environmental sciences

BAR International Series, 1978

Threads of Arctic Prehistory Canadian Museum of Civilization, 1994 Foreward by George Macdonald Essays by eighteen contributors Includes an abstract in French

Nova Scotia Birds, 1992

The Journal of Wildlife Management, 2000

Unveiling the Magic of Words: A Review of "**Canadas Missing Dimension**"

In a world defined by information and interconnectivity, the enchanting power of words has acquired unparalleled significance. Their capability to kindle emotions, provoke contemplation, and ignite transformative change is actually awe-inspiring. Enter the realm of "**Canadas Missing Dimension**," a mesmerizing literary masterpiece penned with a distinguished author, guiding readers on a profound journey to unravel the secrets and potential hidden within every word. In this critique, we shall delve to the book is central themes, examine its distinctive writing style, and assess its profound effect on the souls of its readers.

https://gandalf.roeckerfam.com/public/browse/Download_PDFS/echoes_from_the_infantry_a_novel.pdf

Table of Contents Canadas Missing Dimension

1. Understanding the eBook Canadas Missing Dimension
 - The Rise of Digital Reading Canadas Missing Dimension
 - Advantages of eBooks Over Traditional Books
2. Identifying Canadas Missing Dimension
 - Exploring Different Genres
 - Considering Fiction vs. Non-Fiction
 - Determining Your Reading Goals
3. Choosing the Right eBook Platform
 - Popular eBook Platforms
 - Features to Look for in an Canadas Missing Dimension
 - User-Friendly Interface
4. Exploring eBook Recommendations from Canadas Missing Dimension
 - Personalized Recommendations
 - Canadas Missing Dimension User Reviews and Ratings
 - Canadas Missing Dimension and Bestseller Lists

5. Accessing Canadas Missing Dimension Free and Paid eBooks
 - Canadas Missing Dimension Public Domain eBooks
 - Canadas Missing Dimension eBook Subscription Services
 - Canadas Missing Dimension Budget-Friendly Options
6. Navigating Canadas Missing Dimension eBook Formats
 - ePub, PDF, MOBI, and More
 - Canadas Missing Dimension Compatibility with Devices
 - Canadas Missing Dimension Enhanced eBook Features
7. Enhancing Your Reading Experience
 - Adjustable Fonts and Text Sizes of Canadas Missing Dimension
 - Highlighting and Note-Taking Canadas Missing Dimension
 - Interactive Elements Canadas Missing Dimension
8. Staying Engaged with Canadas Missing Dimension
 - Joining Online Reading Communities
 - Participating in Virtual Book Clubs
 - Following Authors and Publishers Canadas Missing Dimension
9. Balancing eBooks and Physical Books Canadas Missing Dimension
 - Benefits of a Digital Library
 - Creating a Diverse Reading Collection Canadas Missing Dimension
10. Overcoming Reading Challenges
 - Dealing with Digital Eye Strain
 - Minimizing Distractions
 - Managing Screen Time
11. Cultivating a Reading Routine Canadas Missing Dimension
 - Setting Reading Goals Canadas Missing Dimension
 - Carving Out Dedicated Reading Time
12. Sourcing Reliable Information of Canadas Missing Dimension
 - Fact-Checking eBook Content of Canadas Missing Dimension
 - Distinguishing Credible Sources
13. Promoting Lifelong Learning

- Utilizing eBooks for Skill Development
 - Exploring Educational eBooks
14. Embracing eBook Trends
- Integration of Multimedia Elements
 - Interactive and Gamified eBooks

Canadas Missing Dimension Introduction

In this digital age, the convenience of accessing information at our fingertips has become a necessity. Whether its research papers, eBooks, or user manuals, PDF files have become the preferred format for sharing and reading documents. However, the cost associated with purchasing PDF files can sometimes be a barrier for many individuals and organizations. Thankfully, there are numerous websites and platforms that allow users to download free PDF files legally. In this article, we will explore some of the best platforms to download free PDFs. One of the most popular platforms to download free PDF files is Project Gutenberg. This online library offers over 60,000 free eBooks that are in the public domain. From classic literature to historical documents, Project Gutenberg provides a wide range of PDF files that can be downloaded and enjoyed on various devices. The website is user-friendly and allows users to search for specific titles or browse through different categories. Another reliable platform for downloading Canadas Missing Dimension free PDF files is Open Library. With its vast collection of over 1 million eBooks, Open Library has something for every reader. The website offers a seamless experience by providing options to borrow or download PDF files. Users simply need to create a free account to access this treasure trove of knowledge. Open Library also allows users to contribute by uploading and sharing their own PDF files, making it a collaborative platform for book enthusiasts. For those interested in academic resources, there are websites dedicated to providing free PDFs of research papers and scientific articles. One such website is Academia.edu, which allows researchers and scholars to share their work with a global audience. Users can download PDF files of research papers, theses, and dissertations covering a wide range of subjects. Academia.edu also provides a platform for discussions and networking within the academic community. When it comes to downloading Canadas Missing Dimension free PDF files of magazines, brochures, and catalogs, Issuu is a popular choice. This digital publishing platform hosts a vast collection of publications from around the world. Users can search for specific titles or explore various categories and genres. Issuu offers a seamless reading experience with its user-friendly interface and allows users to download PDF files for offline reading. Apart from dedicated platforms, search engines also play a crucial role in finding free PDF files. Google, for instance, has an advanced search feature that allows users to filter results by file type. By specifying the file type as "PDF," users can find websites that offer free PDF downloads on a specific topic. While downloading Canadas Missing Dimension free PDF files is convenient, its

important to note that copyright laws must be respected. Always ensure that the PDF files you download are legally available for free. Many authors and publishers voluntarily provide free PDF versions of their work, but its essential to be cautious and verify the authenticity of the source before downloading Canadas Missing Dimension. In conclusion, the internet offers numerous platforms and websites that allow users to download free PDF files legally. Whether its classic literature, research papers, or magazines, there is something for everyone. The platforms mentioned in this article, such as Project Gutenberg, Open Library, Academia.edu, and Issuu, provide access to a vast collection of PDF files. However, users should always be cautious and verify the legality of the source before downloading Canadas Missing Dimension any PDF files. With these platforms, the world of PDF downloads is just a click away.

FAQs About Canadas Missing Dimension Books

1. Where can I buy Canadas Missing Dimension books? Bookstores: Physical bookstores like Barnes & Noble, Waterstones, and independent local stores. Online Retailers: Amazon, Book Depository, and various online bookstores offer a wide range of books in physical and digital formats.
2. What are the different book formats available? Hardcover: Sturdy and durable, usually more expensive. Paperback: Cheaper, lighter, and more portable than hardcovers. E-books: Digital books available for e-readers like Kindle or software like Apple Books, Kindle, and Google Play Books.
3. How do I choose a Canadas Missing Dimension book to read? Genres: Consider the genre you enjoy (fiction, non-fiction, mystery, sci-fi, etc.). Recommendations: Ask friends, join book clubs, or explore online reviews and recommendations. Author: If you like a particular author, you might enjoy more of their work.
4. How do I take care of Canadas Missing Dimension books? Storage: Keep them away from direct sunlight and in a dry environment. Handling: Avoid folding pages, use bookmarks, and handle them with clean hands. Cleaning: Gently dust the covers and pages occasionally.
5. Can I borrow books without buying them? Public Libraries: Local libraries offer a wide range of books for borrowing. Book Swaps: Community book exchanges or online platforms where people exchange books.
6. How can I track my reading progress or manage my book collection? Book Tracking Apps: Goodreads, LibraryThing, and Book Catalogue are popular apps for tracking your reading progress and managing book collections. Spreadsheets: You can create your own spreadsheet to track books read, ratings, and other details.
7. What are Canadas Missing Dimension audiobooks, and where can I find them? Audiobooks: Audio recordings of books,

perfect for listening while commuting or multitasking. Platforms: Audible, LibriVox, and Google Play Books offer a wide selection of audiobooks.

8. How do I support authors or the book industry? Buy Books: Purchase books from authors or independent bookstores. Reviews: Leave reviews on platforms like Goodreads or Amazon. Promotion: Share your favorite books on social media or recommend them to friends.
9. Are there book clubs or reading communities I can join? Local Clubs: Check for local book clubs in libraries or community centers. Online Communities: Platforms like Goodreads have virtual book clubs and discussion groups.
10. Can I read Canadas Missing Dimension books for free? Public Domain Books: Many classic books are available for free as they're in the public domain. Free E-books: Some websites offer free e-books legally, like Project Gutenberg or Open Library.

Find Canadas Missing Dimension :

echoes from the infantry a novel

[eat right 5270a](#)

easytobuild model railroad structures

[eat drink and be kinky the harvard medical school guide to healthy eating](#)

[eat company sleep bunk berth](#)

[ecclesial identity of the malankara catholic church](#)

ecclesiastes chasing after meaning 12 studies for individuals or groups life guide bible studies

echange part 1 stud bk

eclectic style

ecg manual for the veterinary technician

eating in bed cookbook

[ebential rock grooves for bab](#)

[ec and uk competition law commentary cases and materials](#)

echoes from the sea

ebential ayurveda what it is and what it can do for you

Canadas Missing Dimension :**könig von deutschland youtube** - Mar 07 2023

web nov 8 2014 provided to youtube by columbiakönig von deutschland rio reiserkönig von deutschland das beste von rio reiser 1986 sony music entertainment germany gm

rio reiser könig von deutschland chords chordu - Jan 25 2022

web chords for rio reiser könig von deutschland 0 00 0 00 t ranspose 0 share favorite help enjoy unlimited sessions on your customized jamming platform learn how chordu can enhance your jamming experience chords notes beta album simplified major minor chords only album advanced info outline includes 6 7 aug hdim7 chords album

songtext von rio reiser könig von deutschland lyrics - Apr 27 2022

web das alles und noch viel mehr würd ich machen wenn ich könig von deutschland wär oh das alles und noch viel mehr würd ich machen wenn ich könig von deutschland wär die socken und die autos dürften nicht mehr stinken ich würd jeden morgen erstmal ein glas champus trinken

könig von deutschland youtube music - Dec 04 2022

web provided to youtube by columbia könig von deutschland rio reiser könig von deutschland das beste von rio reiser 1986 sony music entertainment germa

rio reiser könig von deutschland lyrics musixmatch - Mar 27 2022

web mar 21 2023 jede nacht um halb eins wenn das fernsehen rauscht leg ich mich auf s bett und mal mir aus wie es wäre wenn ich nicht der wäre der ich bin sondern kanzler kaiser könig oder königin ich denk mir was der kohl da kann das kann ich auch ich würd vivaldi hören tagein tagaus ich käm viel rum würd nach usa reisen ronnie mal wie

könig von deutschland lied wikipedia - Apr 08 2023

web könig von deutschland ist ein lied von rio reiser das im november 1986 auf seinem solo debütalbum rio i erschien und als single ausgekoppelt wurde 1 rio reiser selbst wird oftmals nach diesem lied als könig von deutschland tituiert 2 3

rio reiser könig von deutschland youtube - Feb 06 2023

web oct 10 2012 rio reiser 9 januar 1950 in west berlin 20 august 1996 in fresenhagen nordfriesland bürgerlich ralph christian möbius war ein deutscher sänger mu

rio reiser könig von deutschland lyrics english translation - Oct 02 2022

web nov 28 2021 king of germany every night at half past midnight when the tv hums i lie in bed and imagine what it would be like if i weren t who i am but chancellor 1 emperor king or queen i think to myself i can do anything kohl 2 can just as well i d listen to vivaldi 3 day in day out i d get around travel to the usa

daniel küblböck könig von deutschland youtube - Jul 31 2022

web mit seiner single könig von deutschland covert daniel küblböck einen hit von rio reiser aus den 80er jahren der hochpolitische song ist heute aktueller de

[rio reiser könig von deutschland lyrics genius lyrics](#) - Jun 10 2023

web strophe 1 jede nacht um halb eins wenn das fernsehen rauscht leg ich mich aufs bett und mal mir aus wie es wäre wenn ich nicht der wäre der ich bin sondern kanzler kaiser könig oder

rio reiser könig von deutschland english translation genius - Nov 03 2022

web chorus all that and much more i would do if i was king of germany oh all that and much more i would do if i was king of germany verse 3 the socks and the cars wouldnt be allowed to stink

rio reiser koenig von deutschland official video youtube - Sep 13 2023

web aug 20 1996 rio reiser koenig von deutschland official video rioreiservevo 11 3k subscribers subscribe 6 5m views 7

years ago rioreiser konigvondeutschland das offizielle video von rio reiser zu

[könig von deutschland 2013 imdb](#) - Feb 23 2022

web sep 5 2013 könig von deutschland 2013 1h 37m imdb rating 5 9 10 795 your rating rate comedy thomas müller is spotted by a marketing agency for his exceptional normality director david dietl writers david dietl henner schulte holtey stars olli dittrich veronica ferres wanja mues see production box office company info add to watchlist

rio reiser könig von deutschland hd remaster youtube - Jul 11 2023

web thomas richter 278 subscribers 464k views 11 years ago rio reiser könig von deutschland live konzert von 1990 in stuttgart rio reiser band 1989 1996 willy wagner lutz

könig von deutschland chords ultimate guitar - Jun 29 2022

web aug 2 2022 create and get 5 iq rio reiser könig von deutschland verse 1 g c g b jede nacht um halb eins wenn das fernseh n rauscht am f leg ich mich aufs bett und mal mir aus c g wie es wäre wenn ich nicht der wäre der ich bin f c e dm g sondern kanzler kaiser könig oder königin c g b ich denk mir was der kohl da kann das

könig von deutschland chords ultimate guitar - Sep 01 2022

web aug 3 2022 könig von deutschland chords by rio reiser 27 128 views added to favorites 572 times author miriamino a 117 2 contributors total last edit on aug 03 2022 view interactive tab download

[könig von deutschland wikipedia](#) - May 09 2023

web könig von deutschland steht für könig von deutschland lied song von rio reiser 1986 könig von deutschland eko fresh lied song von eko fresh 2003 könig von deutschland film deutscher spielfilm 2013 könig von deutschland album album von eko fresh 2017 selbstbezeichnung von peter fitzek 1965 deutscher

lyrics rio reiser könig von deutschland musikguru - May 29 2022

web der song könig von deutschland von rio reiser ist eine humorvolle und ironische betrachtung von macht und autorität d jede nacht um halb eins wenn das fernsehen rauscht leg ich mich auf s bett und mal mir aus wie es wäre wenn ich nicht der wäre der ich bin sondern kanzler kaiser könig oder königin ich denk mir was der kohl da kann

rio reiser koenig von deutschland formel eins 13 05 1986 - Jan 05 2023

web der auftritt von rio reiser zu könig von deutschland bei der formel eins 13 05 1986 alle lieder von roland kaiser kannst du hier anhören rioreise

rio reiser koenig von deutschland peters pop show - Aug 12 2023

web wdr 20 august 1996 sänger rio reiser stirbt in fresenhagen kalenderblatt der auftritt von rio reiser zu könig von deutschland bei peters pop show 06 12 1986 alle lieder von roland

geijerbirkaiii pdf cockpit spont - Sep 04 2022

web geijerbirkaiii 3 3 spatial issues the viking age economy warfare beliefs language voyages and links with medieval and christian europe this original work specifically oriented towards a university audience and the educated public will have a self evident place as an undergraduate course book and will be a standard work of

geijer birka iii pdf hipertexto - Jun 01 2022

web geijer birka iii orientation sutd edu web geijer birka iii 1938 birka iii agnes geijer birka iii die textilfunde aus den gräbern and since there in køstrup not are made any color analyses i also use the color from mammen translation of chapter 5 birka iii by agnes geijer by katherine barich silk fabrics fragments of silk fabrics are found in

reconstruction of birka b4 pattern alicja jaczewska - Jan 08 2023

web a geijer birka iii p 85 b4 grab 569 taf 17 3 schmales brettchenband in der musterpartie 11 br auf der oberseite sind nur einzelne stiche zu sehen auf der unterseite sind die fäden dicht und gleichmässig

the tablet woven braids from the vestments of st cuthbert at - Apr 30 2022

web 1 some foreign medieval examples are illustrated by a geijer in birka iii pl xxiv e g braids brocaded with gold from sens 12th cent visby and alvastra 13th cent and a fine example of a diagonal weave brocaded with gold from vienna mus f

the viking archeological resource forum facebook - Mar 30 2022

web academia edu birka iii die textilfunde aus de birka iii die textilfunde aus den grÄbern von agnes geijer b i r k a untersuchungen und studien h herausgegeben von kungl vitterhets historie och antikvitets akademien iii die textilfunde aus den grÄbern

21k403 siyah erkek sneaker guja ayakkabı - Dec 27 2021

web menşei türkiye cinsiyet erkek Ürün materyal tekstil suni deri renk siyah kırmızı taban tpu İç astar tekstil bağlama tipi bağcıklı

birka iii die textilfunde aus den gräbern agnes geijer free - Aug 15 2023

web agnes geijer publication date 1938 usage cc0 1 0 universal topics textile vikings birka passementerie tablet weaving collection opensource language german the textile from hjalmar stolpes excavations at viking age city birka addeddate 2018 06 29 06 54 40 identifier birkaiii identifier ark ark 13960 t13n94f2d ocr

birka 3 die textilfunde aus den grabern open library - Apr 11 2023

web birka 3 die textilfunde aus den grabern by agnes geijer 1938 almqvist und wiksells boktryckeri a b edition in german deutsch

opera textilia variorum temporum - Nov 06 2022

web birka iii agnes geijer s doctoral thesis ulla cyrus zetterström a monochrome patterned silk fabric among the finds from birka elsa e gudjónsson romanesque gold embroidered vestments from the cathedral church at hólár iceland donald and monique king silk weaves of lucca in 1376

birka iii die textilfunde aus den gräbern von agnes geijer - May 12 2023

web birka iii die textilfunde aus den gräbern von agnes geijer author agnes geijer publisher almqvist och wiksells boktryck 1938 length 191 pages export citation bibtex endnote refman

birka band b22 tablet weaving in theory and practice - Mar 10 2023

web jun 7 2021 1 geijer agnes 1938 birka iii die textilfunde aus den grabern birka untersuchungen und studien iii uppsala almqvist and wiksells b a kungl vitterhets antikvitets akademien retrieved from historiska se digitala resurser filer pdf birka iii pdf 17 05 2021 2 priest dorman c 1993

reconstruction of birka b2 pattern alicja jaczewska - Oct 05 2022

web silver brocaded band found in grave bj 824a a geijer birka iii p 85 b 2 a grab 824 taf 19 1 und abb 19 f brettchenband mit silberschuss in der musterpartie 9 ganzseidene br 2 unterseite dicht und unregelmässig am rande waren 2 ganzseidene schnüre und dazwischen 2 oder 3 jetzt vermoderte

[geijer birka iii mail4 bec systems com](mailto:geijer_birka_iii@mail4_bec_systems.com) - Feb 26 2022

web 2 geijer birka iii 2022 12 19 this volume offers comprehensive coverage of the archaeology of anglo saxon england bringing together essays on specific fields sites and objects and offering the reader a representative range of both traditional and new methodologies and interdisciplinary approaches to the subject everyday products in

birka spiral posaments eithni - Jun 13 2023

web textile finds were published in 1938 by agnes geijer as birka iii die textilfunde aus den gräbern hereafter birka iii 3 geijer devotes a short chapter to the posamentarbeiten or posament work wherein she describes twenty seven different posaments plus several sub types of the most common

[the silk road textiles at birka an examination of the tabletwov](#) - Jul 02 2022

web 31 geijer birka iii 92 32 geijer birka iii 75 76 the numbers correspond to the different band patterns band no 1 from grave no 963 is entirely unique not only at birka but in all extant tabletwoven bands for its use of silver and silk together with wool and vegetable threads it is very deteriorated

[birey b geometri test 21 İközkenar Üçgen youtube](#) - Jan 28 2022

web birey yayınları gelişim serisi b geometri soru bankası test 21 Çözümleri ders anlatım videosu youtu be zzyfkarbswq
[category geijer 1938 the viking age compendium](#) - Feb 09 2023

web geijer agnes 1938 birka iii die textilfunde aus den grabern the textile finds from the graves birka kungliga vitterhets historie och antikvitets akademien

birka iii die textilfunde aus den gräbern von agnes geijer - Dec 07 2022

web jan 1 2023 for these somewhat unorthodox views for which however strong arguments are marshalled mr kendrick atones by restoring to the columban church much of the credit that recent scottish research is inclined to transfer to that of st ninian and to ireland he still gives the large share in celtic art that till recently was universally admitted to the book
[hats hoods men the viking age compendium](#) - Aug 03 2022

web geijer agnes 1938 birka iii die textilfunde aus den grabern the textile finds from the graves birka kungliga vitterhets historie och antikvitets akademien geijer 1938 heyen franz josef 2002 das stift st simeon in

[birka iii die textilfunde aus den gräbern von agnes geijer](#) - Jul 14 2023

web jan 8 2012 birka iii die textilfunde aus den gräbern von agnes geijer 11½ 8½ pp 191 kgl vitterhets historie och antikvitets akademien uppsala almqvist und wiksell 1938 volume 18 issue 4

pdf ccp certification study guide academia edu - Jul 14 2023

web the design and layout of this study guide is intended to assist readers in testing their knowledge of cost engineering by offering practice problems and questions related to the subject matter addressed in sk 6 first published in 1996 as the ccc cce certification study guide the ccp certification study guide has gone through several

engineering ccp notes pdf 2015 ieeeglobalsip org - Apr 11 2023

web apr 8 2023 engineering ccp notes yeah reviewing a ebook engineering ccp notes could mount up your near contacts listings this is just one of the solutions for you to be successful as understood expertise does not recommend that you have astonishing points comprehending as with ease as concurrence even more than further will provide each

[engineering ccp notes postwar hausderkunst de](#) - Jan 08 2023

web may 20th 2018 prof dr munesh chandra trivedi software engineering lecture notes ccp lecture notes posted nov 17 2012 2 55 am by munesh trivedi engineering science community college of philadelphia june 21st 2018 our engineering science

program teaches you how to understand complex concepts and apply them in

engineering ccp notes jobs feedier - Feb 26 2022

web apr 29 2023 engineering ccp notes vtU 1st amp 2nd sem all branches notes download 10ccp13 10ccp23 ccp notes 1 10mat11 06mat11 m1 notes download engineering mathematics 2 vtU notes engineering physics mathematics 2 chemistry civil ccp data structure based on new syllabus 2014 thank u ur doing a

engineering community college of philadelphia - Aug 15 2023

web building a better world our engineering program teaches you how to understand complex concepts and apply them in the physical world you will learn skills to solve problems and develop plans work successfully in teams use computers for a variety of tasks enhance critical thinking and calculation skills and create engineering designs

manaseer ic com - Jun 13 2023

web manaseer ic com

engineering ccp notes uniport edu ng - Mar 30 2022

web may 29 2023 engineering ccp notes 1 8 downloaded from uniport edu ng on may 29 2023 by guest engineering ccp notes as recognized adventure as without difficulty as experience about lesson amusement as with ease as accord can be gotten by just checking out a books engineering ccp notes after that it is not directly

engineering ccp notes jetpack theaoi - Jul 02 2022

web engineering ccp notes engineering ccp notes ccp lecture notes prof dr munesh chandra trivedi eve online blood raider shipyard under attack 1st year book spar website for students vtU notes applied science and engineering technology community ering vtU notes is the link to download notes for other computer science

engineering ccp notes - Mar 10 2023

web june 3rd 2018 engineering ccp notes pdf free download here the chinese civil war raged on between the chinese communist party ccp and the republic of china who were led by the home rightster com 1 2

cp engineering abbreviation meaning all acronyms - Jan 28 2022

web get the top cp abbreviation related to engineering suggest cp engineering abbreviation what is cp meaning in engineering 20 meanings of cp abbreviation related to engineering engineering sort cp engineering abbreviation 10 cp cathodic protection gas oil oilfield gas oil oilfield 6 cp control panel

ccp mechanical engineering abbreviation meaning all acronyms - Aug 03 2022

web mechanical engineering ccp abbreviation meaning defined here what does ccp stand for in mechanical engineering get the top ccp abbreviation related to mechanical engineering

ccp engineering - Sep 04 2022

web the ccp college of engineering provides quality engineering education for students to become technically proficient and capable of creating innovative and ethical applications of engineering knowledge and skills and solutions to the problems and challenges of the times ahead it also provides education that trains students to obtain the

[a novel carbon reduction engineering method based deep q](#) - Apr 30 2022

web sep 14 2023 the semiconductor industry is a resource intensive sector that heavily relies on energy water chemicals and raw materials within the semiconductor manufacturing process the diffusion furnace ion implantation machine and plasma etching machine exhibit high energy demands or operate at extremely high temperatures resulting in

engineering ccp notes help environment harvard edu - Jun 01 2022

web it is your certainly own time to doing reviewing habit accompanied by guides you could enjoy now is engineering ccp notes below china notes 156 department of housing and urban development and certain independent agencies appropriations for fiscal year 1982 american battle monuments commission united states congress senate

gradient heating induced better balance among water - Dec 07 2022

web sep 15 2023 due to the wettability difference between the evaporation layer pva aerogel and heating layer ccp film a record stable temperature gradient of nearly 70 c was formed between the ccp film and the pva aerogel under 1 sun irradiation so that heat on the high temperature ccp film was continuously transferred to the low temperature

[engineering ccp notes admision cbp edu pe](#) - Feb 09 2023

web 4 engineering ccp notes 2020 12 01 development scholars from the humanities and social sciences as well as engineers themselves reflect on key questions that arise in this relational context such as how international development work affects the professional views identities practice and

ccp engineering abbreviation meaning all acronyms - Oct 05 2022

web what is ccp meaning in engineering 10 meanings of ccp abbreviation related to engineering vote 6 vote ccp corporate crisis plan business oil industry gas industry business oil industry gas industry

engineering ccp notes jetpack theaoi - Nov 06 2022

web engineering ccp notes cppmechtutorials uploaded a video 23 hours ago 7 28 play next play now written and produced by dr nolan tsuchiya in the mechanical engineering vtu 1st amp 2nd sem all branches notes download 10ccp13 10ccp23 ccp notes 1 10mat11 06mat11 m1 notes download engineering mathematics 2 vtu notes

[b tech first year notes uptu notes](#) - Dec 27 2021

web sep 8 2023 computer science engineering notes cse second year notes cse third year notes cse fourth year notes electronics and communication engineering notes ec second year notes ec third year notes ec fourth year notes mechanical engineering notes me first year notes me fourth year notes me second year notes me third year

e book engineering ccp notes free epub - May 12 2023

web aug 16 2023 topics covered include electrical engineering manufacturing engineering industrial engineering computer science engineering mathematics and industrial applications the book offers state of the art advances in engineering sciences