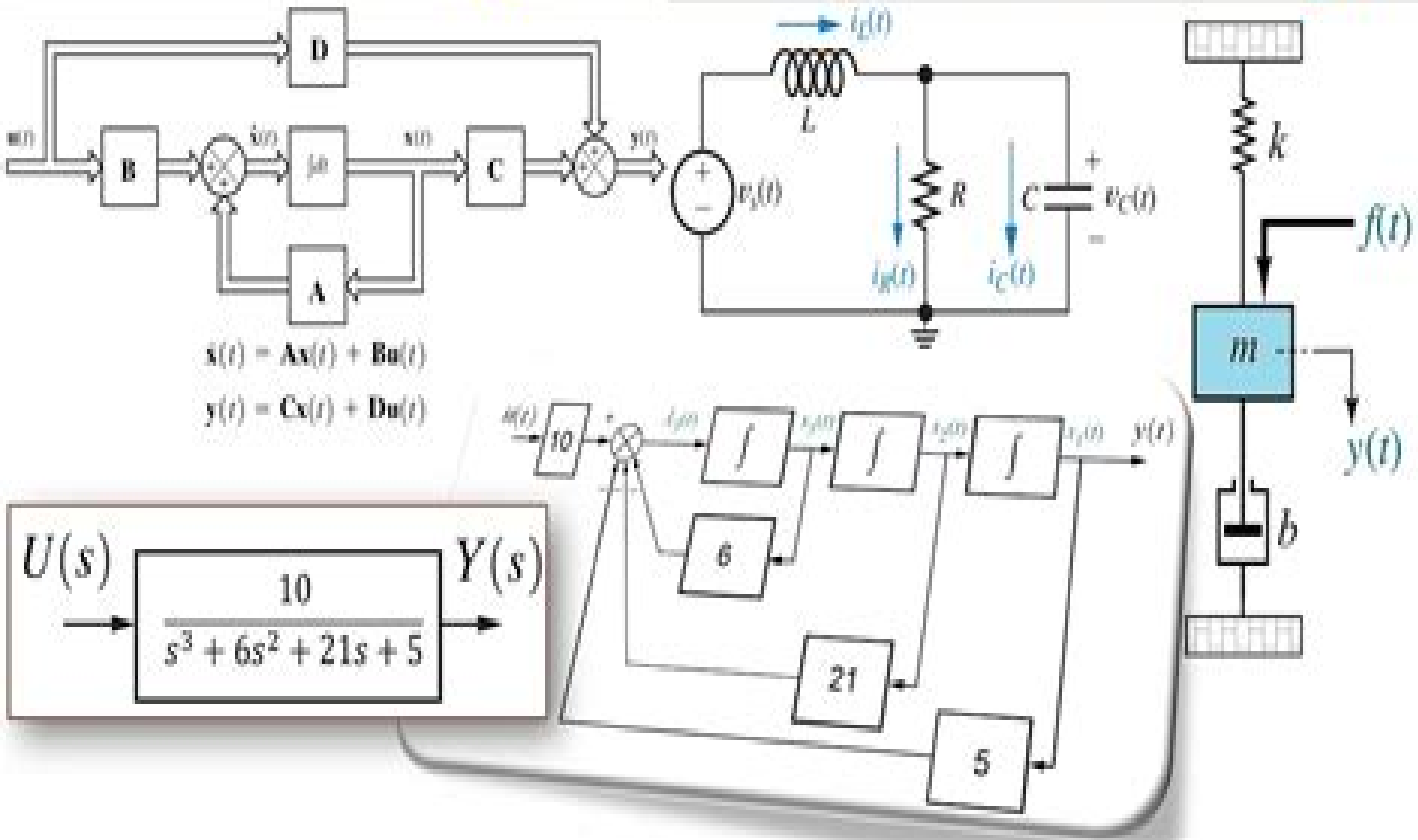


State-Space Modeling



Dynamic Feature Space Modelling Filterin

Hussin A.Rothana



Dynamic Feature Space Modelling Filterin:

Dynamic Feature Space Modelling Filterin Book Review: Unveiling the Magic of Language

In a digital era where connections and knowledge reign supreme, the enchanting power of language has become more apparent than ever. Its power to stir emotions, provoke thought, and instigate transformation is truly remarkable. This extraordinary book, aptly titled "**Dynamic Feature Space Modelling Filterin**," compiled by a very acclaimed author, immerses readers in a captivating exploration of the significance of language and its profound impact on our existence. Throughout this critique, we shall delve to the book's central themes, evaluate its unique writing style, and assess its overall influence on its readership.

<https://gandalf.roeckerfam.com/data/browse/fetch.php/bad%20business%20professional%20crime%20in%20modern%20britain.pdf>

Table of Contents Dynamic Feature Space Modelling Filterin

1. Understanding the eBook Dynamic Feature Space Modelling Filterin
 - The Rise of Digital Reading Dynamic Feature Space Modelling Filterin
 - Advantages of eBooks Over Traditional Books
2. Identifying Dynamic Feature Space Modelling Filterin
 - Exploring Different Genres
 - Considering Fiction vs. Non-Fiction
 - Determining Your Reading Goals
3. Choosing the Right eBook Platform
 - Popular eBook Platforms
 - Features to Look for in a Dynamic Feature Space Modelling Filterin
 - User-Friendly Interface
4. Exploring eBook Recommendations from Dynamic Feature Space Modelling Filterin
 - Personalized Recommendations
 - Dynamic Feature Space Modelling Filterin User Reviews and Ratings

- Dynamic Feature Space Modelling Filterin and Bestseller Lists
- 5. Accessing Dynamic Feature Space Modelling Filterin Free and Paid eBooks
 - Dynamic Feature Space Modelling Filterin Public Domain eBooks
 - Dynamic Feature Space Modelling Filterin eBook Subscription Services
 - Dynamic Feature Space Modelling Filterin Budget-Friendly Options
- 6. Navigating Dynamic Feature Space Modelling Filterin eBook Formats
 - ePub, PDF, MOBI, and More
 - Dynamic Feature Space Modelling Filterin Compatibility with Devices
 - Dynamic Feature Space Modelling Filterin Enhanced eBook Features
- 7. Enhancing Your Reading Experience
 - Adjustable Fonts and Text Sizes of Dynamic Feature Space Modelling Filterin
 - Highlighting and Note-Taking Dynamic Feature Space Modelling Filterin
 - Interactive Elements Dynamic Feature Space Modelling Filterin
- 8. Staying Engaged with Dynamic Feature Space Modelling Filterin
 - Joining Online Reading Communities
 - Participating in Virtual Book Clubs
 - Following Authors and Publishers Dynamic Feature Space Modelling Filterin
- 9. Balancing eBooks and Physical Books Dynamic Feature Space Modelling Filterin
 - Benefits of a Digital Library
 - Creating a Diverse Reading Collection Dynamic Feature Space Modelling Filterin
- 10. Overcoming Reading Challenges
 - Dealing with Digital Eye Strain
 - Minimizing Distractions
 - Managing Screen Time
- 11. Cultivating a Reading Routine Dynamic Feature Space Modelling Filterin
 - Setting Reading Goals Dynamic Feature Space Modelling Filterin
 - Carving Out Dedicated Reading Time
- 12. Sourcing Reliable Information of Dynamic Feature Space Modelling Filterin
 - Fact-Checking eBook Content of Dynamic Feature Space Modelling Filterin
 - Distinguishing Credible Sources

13. Promoting Lifelong Learning
 - Utilizing eBooks for Skill Development
 - Exploring Educational eBooks
14. Embracing eBook Trends
 - Integration of Multimedia Elements
 - Interactive and Gamified eBooks

Dynamic Feature Space Modelling Filterin Introduction

In today's digital age, the availability of Dynamic Feature Space Modelling Filterin books and manuals for download has revolutionized the way we access information. Gone are the days of physically flipping through pages and carrying heavy textbooks or manuals. With just a few clicks, we can now access a wealth of knowledge from the comfort of our own homes or on the go. This article will explore the advantages of Dynamic Feature Space Modelling Filterin books and manuals for download, along with some popular platforms that offer these resources. One of the significant advantages of Dynamic Feature Space Modelling Filterin books and manuals for download is the cost-saving aspect. Traditional books and manuals can be costly, especially if you need to purchase several of them for educational or professional purposes. By accessing Dynamic Feature Space Modelling Filterin versions, you eliminate the need to spend money on physical copies. This not only saves you money but also reduces the environmental impact associated with book production and transportation. Furthermore, Dynamic Feature Space Modelling Filterin books and manuals for download are incredibly convenient. With just a computer or smartphone and an internet connection, you can access a vast library of resources on any subject imaginable. Whether you're a student looking for textbooks, a professional seeking industry-specific manuals, or someone interested in self-improvement, these digital resources provide an efficient and accessible means of acquiring knowledge. Moreover, PDF books and manuals offer a range of benefits compared to other digital formats. PDF files are designed to retain their formatting regardless of the device used to open them. This ensures that the content appears exactly as intended by the author, with no loss of formatting or missing graphics. Additionally, PDF files can be easily annotated, bookmarked, and searched for specific terms, making them highly practical for studying or referencing. When it comes to accessing Dynamic Feature Space Modelling Filterin books and manuals, several platforms offer an extensive collection of resources. One such platform is Project Gutenberg, a nonprofit organization that provides over 60,000 free eBooks. These books are primarily in the public domain, meaning they can be freely distributed and downloaded. Project Gutenberg offers a wide range of classic literature, making it an excellent resource for literature enthusiasts. Another popular platform for Dynamic Feature Space Modelling Filterin books and manuals is Open Library. Open Library is an initiative of the Internet Archive, a

non-profit organization dedicated to digitizing cultural artifacts and making them accessible to the public. Open Library hosts millions of books, including both public domain works and contemporary titles. It also allows users to borrow digital copies of certain books for a limited period, similar to a library lending system. Additionally, many universities and educational institutions have their own digital libraries that provide free access to PDF books and manuals. These libraries often offer academic texts, research papers, and technical manuals, making them invaluable resources for students and researchers. Some notable examples include MIT OpenCourseWare, which offers free access to course materials from the Massachusetts Institute of Technology, and the Digital Public Library of America, which provides a vast collection of digitized books and historical documents. In conclusion, Dynamic Feature Space Modelling Filterin books and manuals for download have transformed the way we access information. They provide a cost-effective and convenient means of acquiring knowledge, offering the ability to access a vast library of resources at our fingertips. With platforms like Project Gutenberg, Open Library, and various digital libraries offered by educational institutions, we have access to an ever-expanding collection of books and manuals. Whether for educational, professional, or personal purposes, these digital resources serve as valuable tools for continuous learning and self-improvement. So why not take advantage of the vast world of Dynamic Feature Space Modelling Filterin books and manuals for download and embark on your journey of knowledge?

FAQs About Dynamic Feature Space Modelling Filterin Books

How do I know which eBook platform is the best for me? Finding the best eBook platform depends on your reading preferences and device compatibility. Research different platforms, read user reviews, and explore their features before making a choice. Are free eBooks of good quality? Yes, many reputable platforms offer high-quality free eBooks, including classics and public domain works. However, make sure to verify the source to ensure the eBook credibility. Can I read eBooks without an eReader? Absolutely! Most eBook platforms offer web-based readers or mobile apps that allow you to read eBooks on your computer, tablet, or smartphone. How do I avoid digital eye strain while reading eBooks? To prevent digital eye strain, take regular breaks, adjust the font size and background color, and ensure proper lighting while reading eBooks. What the advantage of interactive eBooks? Interactive eBooks incorporate multimedia elements, quizzes, and activities, enhancing the reader engagement and providing a more immersive learning experience. Dynamic Feature Space Modelling Filterin is one of the best book in our library for free trial. We provide copy of Dynamic Feature Space Modelling Filterin in digital format, so the resources that you find are reliable. There are also many Ebooks of related with Dynamic Feature Space Modelling Filterin. Where to download Dynamic Feature Space Modelling Filterin online for free? Are you looking for Dynamic Feature Space Modelling Filterin PDF? This is definitely going to save you time and cash in something you should

think about.

Find Dynamic Feature Space Modelling Filterin :

bad business professional crime in modern britain

back to middletown three generations of sociological reflections.

back in the real world

bach kantaten ii

baby tips the little terror good feeding guide

back to the moon audio

baby says hooray

bacterial disease mechanisms an introduction to cellular microbiology

babys green picture

baby bunnys weather words

~~baby sense understanding your babys secr~~

back pain - what works a comprehensive guide to preventing and overcoming back problems

bad judgment

baby gets dressed

baby om

Dynamic Feature Space Modelling Filterin :

2016 2018 *kawasaki kx450f kxf450 service manual retro* - Nov 30 2022

web view online or download pdf 11 mb *kawasaki kx450f service manual kx450f motorcycles pdf manual download and more*
kawasaki online manuals specifications

clutch kawasaki kx450f manualzz - Jun 25 2022

web 9 95 english service manual repair manual wiring diagrams and owners manual for for motorcycles kawasaki kx450f
instant download language english

2016 kawasaki kx450f owner s manual 206 pages pdf - Jun 06 2023

web pages 206 file size 3 mb download manual online viewer 1 2 3 4 manual description the steering should always be kept
adjusted so that the handlebars will turn freely but

specifications kawasaki kx450f manualzz - Feb 19 2022

web kx 450 owner s manual kx450j kf 2019 kawasaki motors corp u s a we ll deliver the good times get parts accessories and apparel shipped straight to your door shop

[kx 450f service manual kx450f kawasaki motors corp u s a](#) - Apr 04 2023

web motor era offers service repair manuals for your kawasaki kx450f download your manual now kawasaki kx450f service repair manuals complete list of kawasaki

[2019 kx450 service manual kx450f x thumpertalk](#) - Jul 27 2022

web sep 15 2020 11 9k subscribers subscribe like share 829 views 2 years ago english service manual repair manual wiring diagrams and owners manual for motorcycles

kawasaki kx450f service repair manuals on motor era - Mar 03 2023

web 2016 to 2018 kawasaki kx 450f kxf 450 4th generation service repair workshop manual provided in pdf form in english language includes wiring diagram total of

[kawasaki kx450f service manual repair 2012 2014 kx 450f](#) - May 25 2022

web view online or download pdf 9 mb kawasaki kx450f service manual kx450f motorcycles pdf manual download and more kawasaki online manuals specifications

owner s manuals service manuals kawasaki owners - Oct 10 2023

web get quick and easy access to information specific to your kawasaki vehicle download official owner s manuals and order service manuals for kawasaki vehicles

2006 kawasaki kx450f owner s manual 168 - Feb 02 2023

web sep 11 2015 manual description front fork adjustment any of the following front fork adjustments should be made to tune the front suspension to the rider s weight and the

user manual kawasaki kx450f 2007 english 400 - Sep 09 2023

web view the manual for the kawasaki kx450f 2007 here for free this manual comes under the category motorcycles and has been rated by 11 people with an average of a 9 1 this

kx 450 owner s manual kx450j kf 2019 kawasaki motors - Nov 18 2021

2014 kawasaki kx450f owner s manual 185 pages pdf - Sep 28 2022

web view online or download pdf 11 mb kawasaki kx450f service manual kx450f motorcycles pdf manual download and more kawasaki online manuals clutch

2022 kx450x service manual kx450f x thumpertalk - Dec 20 2021

kawasaki kx450f workshop manual wiring diagrams owners - Mar 23 2022

web oct 27 2022 hi all just bought a 2022 kx450x and was trying to find a factory service manual for it i have one for my old honda and its so much better than a clymer etc is

specifications kawasaki kx450f manualzz - Aug 28 2022

web this kawasaki kx450f service manual repair 2012 2014 kx 450f mt013351 is an electronic format manual that provides detailed illustrations and step by step instructions

2018 kawasaki kx450f owner s manual 207 pages pdf - Jul 07 2023

web 2018 kawasaki kx450f owner s manual posted on 29 dec 2017 model 2018 kawasaki kx450f pages 207 file size 3 mb

2012 kawasaki kx450f owner s manual 180 pages pdf - Oct 30 2022

web posted january 27 2021 hi does anyone know where i can download the service manual for 2019 2020 kx450 thankyou ac717 posted january 27 2021

kawasaki kx450f service manual repair manual youtube - Apr 23 2022

web kawasaki kx450f service manual repair 2016 2018 kx 450f instant download of the factory repair manual for the 2016 2018 kawasaki kx450f four stroke bike specifically

user manual kawasaki kx450f 2018 english 207 pages - Aug 08 2023

web view the manual for the kawasaki kx450f 2018 here for free this manual comes under the category motorcycles and has been rated by 2 people with an average of a 9 8 this

2015 kawasaki kx450f owner s manual 204 - Jan 01 2023

web sep 11 2015 manual description steering is greatly affected by the fork height how much the outer fork tubes protrude above the upper fork clamp the less the fork tube

kx450f kawasaki online motorcycle service manual - May 05 2023

web service manual kx450f item 99924 1448 04 msrp 85 57 share out of stock notify me when this item is in stock notify me kawasaki service manuals contain

kawasaki kx450f service manual repair 2016 2018 kx 450f - Jan 21 2022

business studies rk singla class 11 for 2020 exam - Nov 15 2022

web there is a newer edition of this item business studies by rk singla cbse class 11 book for 2022 exam 499 00 72 in stock contents part a foundations of business unit 1 evolution and fundamentals of business business an introduction classification of business activities history of commerce in india business risk nature and causes

class 11 business studies series r k singla youtube - Jun 22 2023

web class 11 business studies chapter 2 forms of business sole proprietor partnership rk singla forms of business organisations sole proprietor partnersh

business studies rk singla 2021 22 cbse google books - May 21 2023

web jul 1 2021 business studies rk singla 2021 22 cbse r k singla jul 1 2021 business economics 444 pages novel features of the text follows the following new topics added by the cbse for the

class 11 business studies chapter 1 book r k singla - Jun 10 2022

web class 11 business studies chapter 1 book r k singla class 11th business studies chapter 1 meaning of business characteristics of business busines activities difference between

class 11 business studies chapter 1 r k singla youtube - May 09 2022

web class 11 business studies chapter 1 nature and purpose of business evolution risk r k singla gsa introduction of business nature of business purpose of business evolution

business studies r k singla vk publications class 11th - Apr 20 2023

web business studies your comprehensive guide for class 11th master the principles of business with r k singla s textbook vk publications business studies book your key to success in commerce explore different forms

business studies rk singla class 11 amazon com - Oct 14 2022

web business studies rk singla class 11 cbse 2020 21 on amazon com free shipping on qualifying offers

business studies class 11 r k singla 2022 23 flipkart - Feb 06 2022

web business studies class 11 r k singla 2022 23 by rk singla from flipkart com only genuine products 30 day replacement guarantee free shipping cash on delivery

business studies by rk singla cbse class 11 book for 2023 - Apr 08 2022

web business studies by rk singla cbse class 11 book for 2023 exam amazon in books

business studies rk singla for class 11 amazon in - Sep 13 2022

web business studies rk singla for class 11 examination 2021 22 hindi rk singla amazon in books

business studies rk singla class 11 cbse goodreads - Mar 19 2023

web jul 29 2020 business studies rk singla class 11 cbse rk singla 11 1 star 5 19 search review text filters displaying 1 3 of 3 reviews madhur khatter 1 review april 17 2021 this entire review has been hidden because of spoilers show full review

business studies rk singla class 11 for 2020 exam - Jul 11 2022

web discover business studies rk singla class 11 for 2020 exam book an intriguing read explore business studies rk singla class 11 for 2020 exam in z library and find free summary reviews read online quotes related books ebook resources

class 11 business studies chapter 1 youtube - Feb 18 2023

web class 11 business studies chapter 1 nature and purpose of business risk evolution r k singla introduction of business nature of business purpose of business civil services exam

[business studies class 11 by r k singla 2020 21 nodrm pdf scribd](#) - Aug 24 2023

web business studies class 11 by r k singla 2020 21 nodrm free ebook download as pdf file pdf or read book online for free

nature and purpose of business chapter class 11 book r k singla - Jan 05 2022

web dec 15 2020 ncert solution for class 11 chapter 1 nature and purpose of business topics nature and purpose of business concept of business human activities meaning of business definition of business characteristics of business meaning and definition of profession characteristics of profession meaning of employment features of employment

rk singla author of business studies rk singla class 11 for - Dec 16 2022

web rk singla is the author of business studies rk singla class 11 for 2020 exam 3 74 avg rating 77 ratings 14 reviews

business studies for class 12

business studies class 11 by r k singla 2020 21 pdf scribd - Jul 23 2023

web business studies class 11 by r k singla 2020 21 free ebook download as pdf file pdf or read book online for free

[business studies by rk singla cbse class 11 book for 2022](#) - Jan 17 2023

web business studies by rk singla cbse class 11 book for 2022 exam paperback 1 january 2020 by rk singla author 4 4 4 4 out of 5 stars 73 ratings

business an introduction chapter 1 r k singla of business studies - Mar 07 2022

web may 7 2020 business an introduction chapter 1 r k singla of business studies class 11th vishal education 1 3k subscribers subscribe 281 15k views 3 years ago

business studies rk singla class 11 for 2020 exam - Aug 12 2022

web discover and share books you love on goodreads

[persuasive writing tools k5 learning](#) - Apr 10 2023

web four essential tools to help your kids succeed in persuasive writing in our last blog post we discussed why persuasive writing is important for our kids to learn now we re going to turn our attention to some tools that we believe will help your kids with their persuasive writing

[persuasive writing vocabulary list year 3 to 6 twinkl](#) - Aug 14 2023

web aug 26 2017 using a persuasive writing vocabulary list is a useful tool for improving your child s english skills displaying this list is perfect for introducing your children to new words having a personal subject specific dictionary will help children with their spelling and widen their vocabulary

[persuasive writing topics for kids study com](#) - Aug 02 2022

web instructor nicky davis persuasive writing is an important tool for students of all ages keep reading to find kid friendly persuasive writing prompts to help you start growing your

writing for kids persuasive writing examples for years 3 6 twinkl - Feb 08 2023

web common examples of persuasive writing include reviews advertisements and brochures this resource pack comes with several persuasive writing samples all featuring plenty of persuasive writing techniques these techniques include imperative verbs alliteration facts opinions rhetorical questions and repetition

persuasive writing examples for kids teach starter - Oct 04 2022

web persuasive writing examples for kids fully immersing your students in the persuasive language is crucial we know how reading children s books with persuasive language kids adds an immense amount of value to the learning process displaying examples of persuasive writing is another crucial element by displaying simple persuasive texts

20 persuasive writing examples for kids homeschool adventure - Oct 16 2023

web aug 29 2022 by arguing a topic your student will need to examine both sides which is an essential component of critical thinking persuasive writing also inspires formation of opinion and sharing that opinion effectively students as young as elementary school age can learn to write persuasively

15 super persuasive writing topics for kids journal buddies - Jun 12 2023

web feb 14 2022 15 persuasive writing topics for kids we should not have a school dress code pets should be allowed in school school break times should be longer there should be no homework the school day should be shorter children should be able to use cellphones in school i should get a pocket money raise from my parents

15 super persuasive writing topics for kids mit - May 31 2022

web feb 14 2022 persuasive writing topics since child to assist them grow their writing skills and become accustomed to stating their appeals and offering evidence for their debate yes persuasive writing supports critical thinking and private print a ideas with an understanding of persuasive tactics or practice in presented their arguments kid

10 engaging persuasive writing topics for kids miss jacobs - Mar 09 2023

web looking for simple and engaging persuasive writing topics for kids discover 10 easy and unique writing topics to help your little learners write persuasively

how to teach persuasive devices to primary school learners - Nov 05 2022

web how to teach persuasive writing passion a note on persuasive passion getting kids to understand the purpose of persuasive writing can be simple but it s often more difficult for them to write persuasively about something they re not interested in

top ten persuasive writing activities twinkl - Mar 29 2022

web top ten persuasive writing activities in our parents hub you ll find engaging and fun persuasive activities to help your child to understand what persuasive writing is and how to practise this skill 1 persuasive writing powerpoint this powerpoint explains to your five to seven year old what a persuasive text is and how to write persuasively [exploring pers](#)