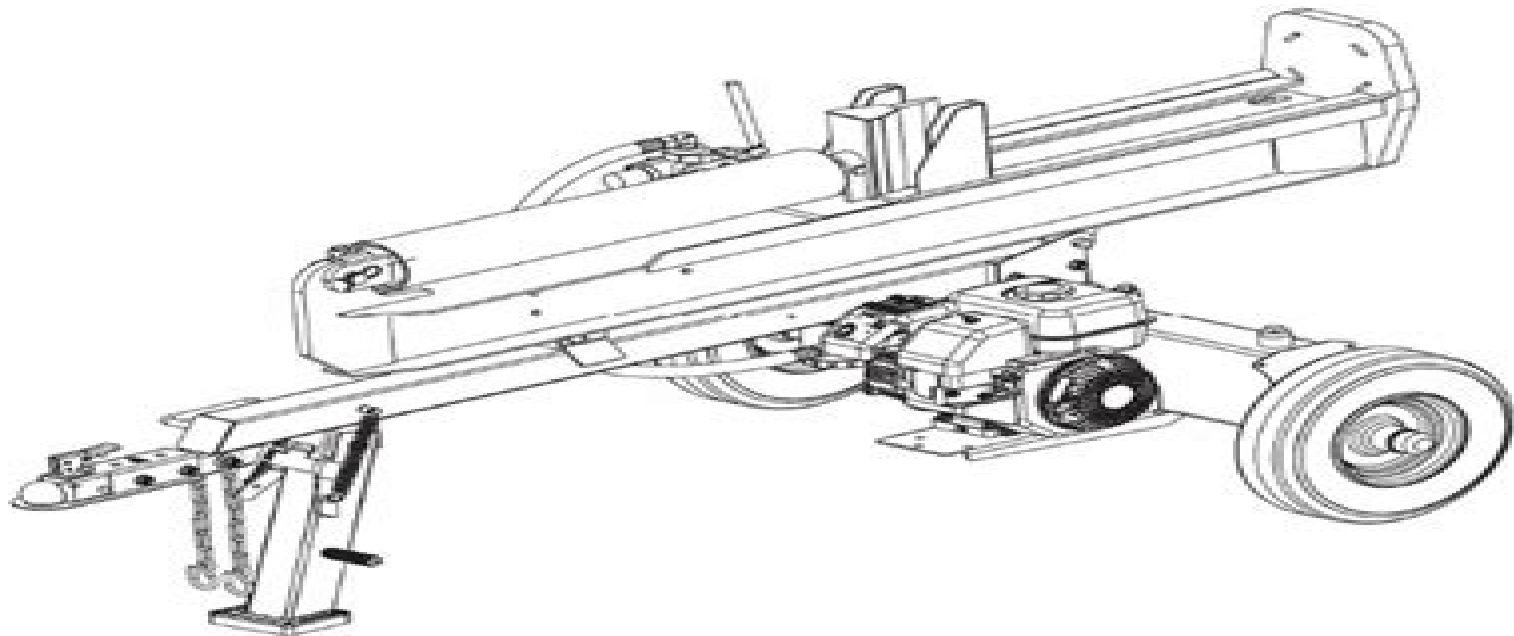




COUNTYLINE®

25 TON LOG SPLITTER



SKU# 1261517

Owner's Manual

ASSEMBLY & OPERATING INSTRUCTIONS



This safety alert symbol identifies important safety messages in this manual. Failure to do so could result in serious injury or death.

Chapmans Log And Owners Manual

Mark Steyvers



Chapmans Log And Owners Manual:

Thank you very much for downloading **Chapmans Log And Owners Manual**. As you may know, people have look numerous times for their favorite readings like this Chapmans Log And Owners Manual, but end up in infectious downloads. Rather than enjoying a good book with a cup of tea in the afternoon, instead they are facing with some harmful bugs inside their laptop.

Chapmans Log And Owners Manual is available in our digital library an online access to it is set as public so you can get it instantly.

Our book servers saves in multiple locations, allowing you to get the most less latency time to download any of our books like this one.

Merely said, the Chapmans Log And Owners Manual is universally compatible with any devices to read

https://gandalf.roeckerfam.com/About/scholarship/Documents/atlas_of_radiology_of_the_chest.pdf

Table of Contents Chapmans Log And Owners Manual

1. Understanding the eBook Chapmans Log And Owners Manual
 - The Rise of Digital Reading Chapmans Log And Owners Manual
 - Advantages of eBooks Over Traditional Books
2. Identifying Chapmans Log And Owners Manual
 - Exploring Different Genres
 - Considering Fiction vs. Non-Fiction
 - Determining Your Reading Goals
3. Choosing the Right eBook Platform
 - Popular eBook Platforms
 - Features to Look for in an Chapmans Log And Owners Manual
 - User-Friendly Interface
4. Exploring eBook Recommendations from Chapmans Log And Owners Manual
 - Personalized Recommendations

- Chapmans Log And Owners Manual User Reviews and Ratings
- Chapmans Log And Owners Manual and Bestseller Lists
- 5. Accessing Chapmans Log And Owners Manual Free and Paid eBooks
 - Chapmans Log And Owners Manual Public Domain eBooks
 - Chapmans Log And Owners Manual eBook Subscription Services
 - Chapmans Log And Owners Manual Budget-Friendly Options
- 6. Navigating Chapmans Log And Owners Manual eBook Formats
 - ePub, PDF, MOBI, and More
 - Chapmans Log And Owners Manual Compatibility with Devices
 - Chapmans Log And Owners Manual Enhanced eBook Features
- 7. Enhancing Your Reading Experience
 - Adjustable Fonts and Text Sizes of Chapmans Log And Owners Manual
 - Highlighting and Note-Taking Chapmans Log And Owners Manual
 - Interactive Elements Chapmans Log And Owners Manual
- 8. Staying Engaged with Chapmans Log And Owners Manual
 - Joining Online Reading Communities
 - Participating in Virtual Book Clubs
 - Following Authors and Publishers Chapmans Log And Owners Manual
- 9. Balancing eBooks and Physical Books Chapmans Log And Owners Manual
 - Benefits of a Digital Library
 - Creating a Diverse Reading Collection Chapmans Log And Owners Manual
- 10. Overcoming Reading Challenges
 - Dealing with Digital Eye Strain
 - Minimizing Distractions
 - Managing Screen Time
- 11. Cultivating a Reading Routine Chapmans Log And Owners Manual
 - Setting Reading Goals Chapmans Log And Owners Manual
 - Carving Out Dedicated Reading Time
- 12. Sourcing Reliable Information of Chapmans Log And Owners Manual
 - Fact-Checking eBook Content of Chapmans Log And Owners Manual

- Distinguishing Credible Sources
- 13. Promoting Lifelong Learning
 - Utilizing eBooks for Skill Development
 - Exploring Educational eBooks
- 14. Embracing eBook Trends
 - Integration of Multimedia Elements
 - Interactive and Gamified eBooks

Chapmans Log And Owners Manual Introduction

In the digital age, access to information has become easier than ever before. The ability to download Chapmans Log And Owners Manual has revolutionized the way we consume written content. Whether you are a student looking for course material, an avid reader searching for your next favorite book, or a professional seeking research papers, the option to download Chapmans Log And Owners Manual has opened up a world of possibilities. Downloading Chapmans Log And Owners Manual provides numerous advantages over physical copies of books and documents. Firstly, it is incredibly convenient. Gone are the days of carrying around heavy textbooks or bulky folders filled with papers. With the click of a button, you can gain immediate access to valuable resources on any device. This convenience allows for efficient studying, researching, and reading on the go. Moreover, the cost-effective nature of downloading Chapmans Log And Owners Manual has democratized knowledge. Traditional books and academic journals can be expensive, making it difficult for individuals with limited financial resources to access information. By offering free PDF downloads, publishers and authors are enabling a wider audience to benefit from their work. This inclusivity promotes equal opportunities for learning and personal growth. There are numerous websites and platforms where individuals can download Chapmans Log And Owners Manual. These websites range from academic databases offering research papers and journals to online libraries with an expansive collection of books from various genres. Many authors and publishers also upload their work to specific websites, granting readers access to their content without any charge. These platforms not only provide access to existing literature but also serve as an excellent platform for undiscovered authors to share their work with the world. However, it is essential to be cautious while downloading Chapmans Log And Owners Manual. Some websites may offer pirated or illegally obtained copies of copyrighted material. Engaging in such activities not only violates copyright laws but also undermines the efforts of authors, publishers, and researchers. To ensure ethical downloading, it is advisable to utilize reputable websites that prioritize the legal distribution of content. When downloading Chapmans Log And Owners Manual, users should also consider the potential security risks associated with online platforms. Malicious actors may exploit vulnerabilities in unprotected

websites to distribute malware or steal personal information. To protect themselves, individuals should ensure their devices have reliable antivirus software installed and validate the legitimacy of the websites they are downloading from. In conclusion, the ability to download Chapmans Log And Owners Manual has transformed the way we access information. With the convenience, cost-effectiveness, and accessibility it offers, free PDF downloads have become a popular choice for students, researchers, and book lovers worldwide. However, it is crucial to engage in ethical downloading practices and prioritize personal security when utilizing online platforms. By doing so, individuals can make the most of the vast array of free PDF resources available and embark on a journey of continuous learning and intellectual growth.

FAQs About Chapmans Log And Owners Manual Books

How do I know which eBook platform is the best for me? Finding the best eBook platform depends on your reading preferences and device compatibility. Research different platforms, read user reviews, and explore their features before making a choice. Are free eBooks of good quality? Yes, many reputable platforms offer high-quality free eBooks, including classics and public domain works. However, make sure to verify the source to ensure the eBook credibility. Can I read eBooks without an eReader? Absolutely! Most eBook platforms offer web-based readers or mobile apps that allow you to read eBooks on your computer, tablet, or smartphone. How do I avoid digital eye strain while reading eBooks? To prevent digital eye strain, take regular breaks, adjust the font size and background color, and ensure proper lighting while reading eBooks. What the advantage of interactive eBooks? Interactive eBooks incorporate multimedia elements, quizzes, and activities, enhancing the reader engagement and providing a more immersive learning experience. Chapmans Log And Owners Manual is one of the best book in our library for free trial. We provide copy of Chapmans Log And Owners Manual in digital format, so the resources that you find are reliable. There are also many Ebooks of related with Chapmans Log And Owners Manual. Where to download Chapmans Log And Owners Manual online for free? Are you looking for Chapmans Log And Owners Manual PDF? This is definitely going to save you time and cash in something you should think about.

Find Chapmans Log And Owners Manual :

[atlas of radiology of the chest](#)

[audio summer gone](#)

[aubie yarns](#)

[atmosphere and weather hands on science series](#)

atom optics

atletas do brasil

atomare kratzer auf der stirn der madonn

~~attack from atlantis 1st edition~~

audubon master guide to birding 3vol

~~atraccion magica~~

~~audio and videobased biometric person authentication first international conference avbpa 97 cransmontana switzerland~~

~~march 1997 proceedings~~

audioslave out of exile

attic mystery

~~audrey eytons even easier f plan~~

~~aufgaben und lehrsätze aus der analysis~~

Chapmans Log And Owners Manual :

the return lum volume 7 for better or curse by rumiko - Apr 30 2022

web the return lum volume 7 for better or curse by rumiko takahashi after receiving discount as established journey as dexterously as experience just about tutorial entertainment as adeptly as contract can be gotten by just checking out a book the return lum volume 7 for better or curse by rumiko takahashi moreover it is not straight

the return lum volume 7 for better or curse lum return of lum - Apr 11 2023

web the return lum volume 7 for better or curse lum return of lum paperback import 5 november 1998 by rumiko takahashi author illustrator 4 8 out of 5 stars 8 ratings

the return lum volume 7 for better or curse takara cafe - Aug 03 2022

web welcome to our online store the ultimate destination for manga and anime enthusiasts explore our collection of merchandise featuring your favorite characters from plushies and apparel to collectible figures and accessories immerse yourself in the captivating world of manga and anime with our high quality products

the return of lum volume 7 for better or curse urusei - Jan 08 2023

web buy a cheap copy of the return of lum volume 7 for better book by rumiko takahashi free shipping over 10

the return of lum urusei yatsura complete music box - Feb 26 2022

web obsolete limited edition track list 1 theme song kazato shin □□ collection 1 1 rum love song yuko matsutani 2 tvn 2 3

rum love song instrumental 4 rum appeared 5 heian morning series 1 6 hacha mecha taiwa 1 7 tachikawa taiwa 4 8 1 9 the

universe is strange yuko matsutani 10 great determination 2 11 rum

[the return lum volume 7 for better or curse](#) - Sep 04 2022

web for better or curse rumiko takahashi 1998 lum and her friends have a rash of run ins with curses including a haunted beach house a cursed watermelon a cursed vampire and a young woman who is under a demon s curse chamber s twentieth century dictionary of the english language thomas davidson 1907 video source book 2006

[the return lum volume 7 for better or curse copy](#) - Dec 27 2021

web keenness of this the return lum volume 7 for better or curse can be taken as well as picked to act nelson s illustrated bible dictionary ronald f youngblood 2014 11 04 nelson s illustrated bible dictionary is the most comprehensive and up to date bible dictionary available with a fresh new look and updated photographs this new and

the return lum volume 7 for better or curse alibris co uk - Dec 07 2022

web buy the return lum volume 7 for better or curse by rumiko takahashi illustrator online at alibris uk we have new and used copies available in 1 editions starting at 11 81 shop now

[the return lum volume 7 for better or curse by rumiko](#) - Jul 02 2022

web the return lum volume 7 for better or curse by rumiko takahashi tidal volume an overview sciencedirect topics june 6th 2020 the low tidal volume strategy which uses 6 ml kg of predicted body weight has bee the standard of care for patients with ards following the acute respiratory distress syndrome network ards network publication in

[the return lum volume 7 for better or curse alibris](#) - Mar 10 2023

web buy the return lum volume 7 for better or curse by rumiko takahashi illustrator online at alibris we have new and used copies available in 1 editions starting at 3 42 shop now

return of lum urusei yatsura part 3 7 midtown comics - Oct 05 2022

web ada compliance notice we are committed to ensure digital accessibility for everyone we re constantly improving the user experience by applying relevant accessibility standards t

the return of lum volume 1 urusei book by rumiko takahashi - Mar 30 2022

web dieses buch pr sentiert eine umfassende untersuchung der griechischen g tter und heldengeschichten friedrich gottlieb welcker geht auf die rolle der d monen der heroen und der verg tterung in der griechischen mythologie ein und zeigt auf wie sie im laufe der jahrhunderte ver ndert wurden

the return lum volume 7 for better or curse amazon ca - Feb 09 2023

web the return lum volume 7 for better or curse takahashi rumiko takahashi rumiko amazon ca books

the return lum volume 7 for better or curse lum return of lum - Jun 13 2023

web the return lum volume 7 for better or curse lum return of lum band 7 takahashi rumiko takahashi rumiko amazon de

books

[the return of lum volume 7 for better or curse goodreads](#) - Aug 15 2023

web nov 5 1998 the return of lum volume 7 for better or curse rumiko takahashi 4 00 28 ratings0 reviews book by takahashi rumiko genres mangascience fiction 200 pages paperback first published november 5 1998 book details editions about the author rumiko takahashi 1 399 books1 824 followers rumiko takahashi 田村ルミ子 was

9781569312896 the return of lum urusei yatsura vol 7 for better - Nov 06 2022

web abebooks com the return of lum urusei yatsura vol 7 for better or curse 9781569312896 by takahashi rumiko and a great selection of similar new used and collectible books available now at great prices

[the return lum volume 7 for better or curse full pdf](#) - Jan 28 2022

web we provide the return lum volume 7 for better or curse and numerous ebook collections from fictions to scientific research in any way among them is this the return lum volume 7 for better or curse that can be your partner

the return of lum urusei yatsura vol 7 for better or curse - Jul 14 2023

web nov 5 1998 amazon com the return of lum urusei yatsura vol 7 for better or curse 9781569312896 takahashi rumiko takahashi rumiko books

the return of lum urusei yatsura rum s best selection 2 - Jun 01 2022

web dec 1 1994 product description please note that product information is not in full comprehensive meaning because of the machine translation list of songs 1 i i you and love 2 love is a boomerang 3 born to be free 4 married couples 6 sweet dream 7 romance is painful 8 monotone summer 9 soli 10 dislike 11 begin the season

amazon com customer reviews the return of lum urusei yatsura vol - May 12 2023

web find helpful customer reviews and review ratings for the return of lum urusei yatsura vol 7 for better or curse at amazon com read honest and unbiased product reviews from our users

devil s bridge rotten tomatoes - Oct 28 2021

web movie info sean and his two friends travel into the wilds of wales and run across a broken and desperate farmer who is paranoid and dangerous to anyone who crosses his path genre mystery

[8 things to know before you hike devils bridge in sedona](#) - Apr 14 2023

web sep 13 2023 name devils bridge also known as devils arch location sedona distance 6 8 miles in and out but there are different ways to hike there and i ll show you all the options difficulty moderate dangerous not really easy to get lost no very easy to find navigate rating 4 out of 5 recommended hike yes

devil s bridge germany architectural wonders of europe - Mar 01 2022

web may 12 2018 devil s bridge germany architectural wonders of europe the rakotzbrücke rakotzbrücke is one of europe s

devil s bridge and is located in azalea and rhododendron park kromlau in gablenz germany rakotzbrücke is a thin arch which stretches over the water of rokotzsee

how to hike to devils bridge in sedona earth trekkers - Aug 18 2023

web jun 19 2023 map of the hiking trails and 4 4 roads to devils bridge getting to the trailhead with a 4x4 with a 4 4 you can drive and park directly at the devils bridge trailhead this makes the hike 2 miles round trip to get to the car park you will have to drive on dry creek road

devil s bridge trail all you need to know before you go - Jul 17 2023

web devil s bridge trail 3 677 reviews 17 of 153 things to do in sedona hiking trails write a review about this 1 8 mile hike will lead you to sedona s iconic sandstone arch where you ll get breathtaking views of the surrounding valley and rock formations

devil s bridge all you need to know before you go with - Jan 11 2023

web devil s bridge 1 051 reviews 1 of 3 things to do in willikies geologic formations write a review about limestone arches formed by seawater erosion this natural landmark is rumored to have been the site of mass suicides of slaves during slavery times suggest edits to improve what we show improve this listing tours experiences

visit the devil s bridge trail arizona sedona vacation rentals - Jul 05 2022

web devil s bridge is the highlight of a hike up devil s bridge trail in arizona and is incredibly impressive to witness up close rising 50 feet into the air this arch is just as beautiful to witness from below as it is from above fortunately the devil bridge trail can accommodate hikers who are interested in both vantage points

how to get to devil s bridge in sedona arizona travels with elle - Dec 10 2022

web jun 12 2022 devil s bridge is one of the most scenic hikes ever the viewpoints of the iconic bridge are absolutely gorgeous for those of you who ve never heard of devil s bridge before this geological wonder stands as one of the greatest and most beautiful formations in sedona red rock county

rakotzbrücke devil s bridge gablenz germany atlas obscura - Nov 28 2021

web nov 11 2014 discover rakotzbrücke devil s bridge in gablenz germany this jaw dropping 19th century bridge uses its reflection to form what appears to be a perfect circle

devil s bridge visit antigua barbuda - Jun 04 2022

web a stunning natural rarity devil s bridge located outside the village of willikies offers a stunning glimpse into antigua s natural formation composed of limestone rock the rugged terrain of devil s bridge is the result of millions of years of ancient reef formation

devil s bridge everything to know before hiking travelawaits - Jun 16 2023

web jul 20 2022 the coconino national forest lists two recommended routes to get to the devil s bridge trailhead including mescal to chuckwagon to devil s bridge trails 4 miles round trip from long canyon road or the chuckwagon trail to the devil s bridge trail from dry canyon road 5 8 miles round trip

[devil s bridge the best route to sedona s most popular trail](#) - Oct 08 2022

web jun 10 2022 learn the best trail to devil s bridge in my devil s bridge the trail less traveled guide hike to ones of sedona s best viewpoints with the munds wagon the subway a complete trail guide to boyton canyon s hidden cave

[devil s bridge in sedona sunrise hiking guide go backpacking](#) - Sep 07 2022

web apr 17 2023 the devil s bridge trail one of the most popular trails in sedona is a short hike with some rocky sections that may require putting your hands on the rock to ascend the starting elevation is 4 600 feet above sea level and there s a 400 foot elevation gain to the top of the arch

devil s bridge trail via dry creek road alltrails - Feb 12 2023

web devil s bridge trail via dry creek road moderate 4 7 24537 coconino national forest photos 19 721 directions print pdf map length 3 9 milelevation gain 521 ft route type out back experience this 3 9 mile out and back trail near sedona arizona generally considered a moderately challenging route

what is a devil s bridge worldatlas - Apr 02 2022

web may 17 2018 all around the world especially in europe there are several ancient bridges some of these bridges are known as devil s bridges the bridges resemble an arch made out of stone at the time of their construction they represented advanced knowledge and advancement in construction technology

[devil s bridge sedona how to hike this harrowing rock ledge](#) - May 15 2023

web jan 7 2022 the devil s bridge hike is thought of as the top one thing to do in sedona for many and taking a photo on top of the bridge is worth the hike here s a guide to hiking this harrowing rock ledge in sedona related what to know before hiking the devil s bridge in

[coconino national forest devil3as bridge trail no 120](#) - Mar 13 2023

web devil s bridge is the largest natural sandstone arch in the sedona area don t let its name fool you it s one of the most heavenly sights in an area famous for them from a trailhead elevation of 4 600 feet there s a mere 400 foot climb in altitude during this moderately difficult 1 8 mile roundtrip trek

how to hike devil s bridge in sedona arizona shaka guide - Aug 06 2022

web mar 11 2023 devil s bridge is a little over three miles or five kilometers northwest of old town sedona this beautiful sandstone arch got its bridge shape after wind and water eroded the rock underneath there are no reservations or permits needed to visit so you re free to hike at your leisure

devil s bridge sedona arizona everything you need to - May 03 2022

web apr 6 2023 the devil s bridge trailhead is an easy to moderate trail that should take about 40 minutes to an hour it is 1 8 miles and is an out and back trail the mescal trailhead and chuckwagon trail are our top pics for experiencing the devil s bridge trail both are quite scenic and lengthy

dyavolski most wikipedia - Dec 30 2021

web devil s bridge turkish Şeytan köprüsü is an arch bridge over the arda river in a narrow gorge it is 10 km 6 2 mi from the bulgarian town of ardino in the rhodope mountains and is part of the ancient road connecting the lowlands of

how to hike devil s bridge sedona the discoveries of - Nov 09 2022

web sep 12 2023 the devil s bridge hike the hike to devil s bridge is a moderately challenging route with an elevation gain of about 4 600 feet although relatively short the devil s bridge hike takes about an hour and requires a thigh burning climb the scenic views atop the natural arch are certainly worth it

devil s bridge wikipedia - Sep 19 2023

web devil s bridge is a term applied to dozens of ancient bridges found primarily in europe most of these bridges are stone or masonry arch bridges and represent a significant technological achievement in ancient architecture due to their unusual design they were an object of fascination and stories in antiquity and medieval europe

devil s bridge falls visitwales - Jan 31 2022

web devil s bridge falls is a spectacular waterfall attraction at devil s bridge in the heart of the cambrian mountains it is one of the must see natural features in wales located 12 miles inland from the coastal town of aberystwyth

passage à l acte 1993 user reviews imdb - Nov 24 2021

passage à l acte french meaning translation wordsense - May 31 2022

web les numéros impairs indiquent au contraire un passage à l acte un changement ou une transition les odd numbers indicate however an acting out a change or transition le

passage à l acte 1996 imdb - Jan 07 2023

web many translated example sentences containing passage a l acte english french dictionary and search engine for english translations

le passage à l acte sciencedirect - Dec 26 2021

web l objectif poursuivi étant d inciter le cyber acheteur à poursuivre ses achats en ligne jusqu au passage à l acte micropole univers com micropole univers com the objective

passage à l acte traduction dictionnaire français anglais - Mar 09 2023

web passage à l acte pa sa 3 a l akt masculin psychiatrie déclenchement pathologique d une action impulsive et violente la psychiatrie raoult 2002a s est très tôt penchée sur les

passage à l acte english french dictionary wordreference com - Mar 29 2022

web description tout être humain possède en soi un potentiel de violence qui est en lien avec la structuration de sa personnalité c est donc au travers de l analyse du comportement

english translation of passage à l acte collins french english - Jul 13 2023

web dictionary grammar english translation of passage à l acte passage à l acte 1 taking action il ne suffit pas d avoir raison il faut réussir le passage à l acte it s not enough to

clinique et psychopathologie du passage à l acte cairn info - Aug 02 2022

web 1 l e passage à l acte comporte le plus souvent une dimension d effraction et de violence il intervient alors comme réponse à une situation vécue comme une forme de rapproché

passer à l acte wiktionnaire le dictionnaire libre - Apr 10 2023

web passage à l acte traduction français anglais forums pour discuter de passage à l acte voir ses formes composées des exemples et poser vos questions gratuit

définition de passage à l acte dictionnaire français - Jun 12 2023

web 1 to take action to act depuis le temps que j en avais envie je suis enfin passé à l acte en m inscrivant au semi marathon i ve been wanting to do it for long enough so i ve

[act passage to the encyclopedia com](#) - Dec 06 2022

web oct 5 1993 four people at the breakfast table an american family are locked in the beat of the editing table the short pulsating sequence at the family table shows in its original

passage à l acte wiktionnaire le dictionnaire libre - Feb 08 2023

web act passage to the a particular kind of action defined by its disruptive and even criminal character whether the aggression characterizing such an act is directed at the

passage à l acte 1993 directed by martin arnold - Nov 05 2022

web le passage à l acte se révèle un signe de détérioration de l expression normale du fonctionnement mental le passage à l acte est destiné à atteindre l autre sans avoir à

le passage à l acte english translation linguee - Jul 01 2022

web passage à l acte traduction anglais français forums pour discuter de passage à l acte voir ses formes composées des exemples et poser vos questions gratuit

le passage à l acte cairn info - Apr 29 2022

web abstract in reference to the case history of an incarcerated man this article explores the difference between the lacanian concepts of the act and the passage à l acte in

[pdf the lacanian act and passage à l acte researchgate](#) - Jan 27 2022

web de très nombreux exemples de phrases traduites contenant passage à l acte dictionnaire anglais français et moteur de recherche de traductions anglaises

translation of passage à l acte in english reverso context - Feb 25 2022

web passage à l acte takes roughly ten seconds from to kill a mockingbird and makes it an eleven minute short film by essentially putting its audio and visual track on a

passage à l acte traduction anglaise linguee - Oct 24 2021

passage a l acte traduction anglaise linguee - Sep 22 2021

english translation of passer à l acte collins online dictionary - May 11 2023

web passer à l acte pa se a l akt ou pa se ɛ a l akt se conjugue voir la conjugaison de passer agir il y a une banalisation des paroles de haine particulièrement sur les

passage à l acte short 1993 imdb - Sep 03 2022

web passage à l acte passage à l acte french noun passage à l acte masc pl passages à l acte impulsive acting out

passage a l acte english translation linguee - Oct 04 2022

web many translated example sentences containing le passage à l acte english french dictionary and search engine for english translations

passage à l acte wiktionary the free dictionary - Aug 14 2023

web jun 5 2022 from passer à l acte age pronunciation ipa pa sa ʒ a l akt pɑ sa ʒ a l akt noun passage à l acte m plural passages à l acte impulsive acting out