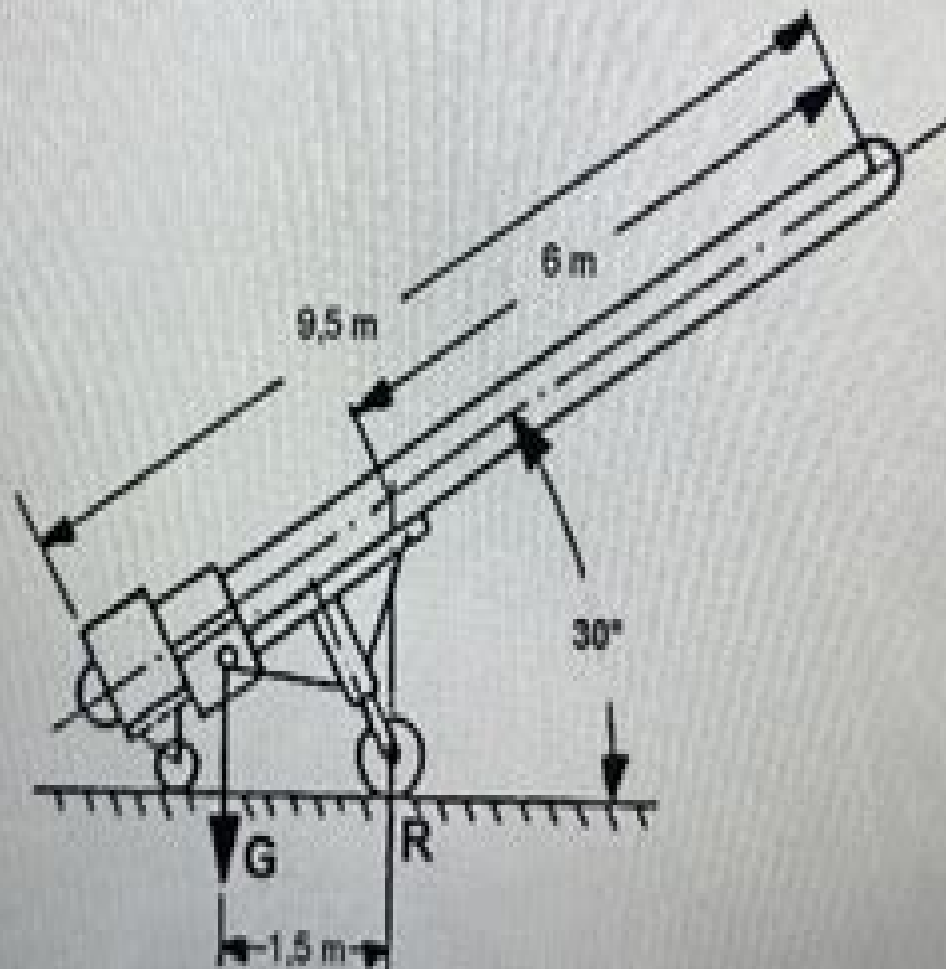


- 50) Ein fahrbarer Bandförderer hat ein Eigengewicht von  $G = 3500\text{ N}$ . Bei einer Neigung von  $30^\circ$  ragt das freie Bandende  $6\text{ m}$  über den Unterstützungspunkt am Laufrad  $R$  hinaus. Die durch das Fördergut belastete Bandlänge beträgt  $l = 9,5\text{ m}$ .

Welche Fördergutmenge (in  $\text{N pro m Bandlänge}$ ) kann maximal gefördert werden, ohne dass das Band umkippt?



# Aufgabe No 1

**American Geographical Society of New  
York**



## Aufgabe No 1:

**Revue Semestrielle Des Publications Mathématiques**, 1911      **The Unfree Professions** Konrad Hugo Jarausch, 1990-09-06 How could educated professionals have supported the Nazi movement and collaborated with Hitler's inhuman policies Jarausch examines this fascinating and largely unexplored subject tracing the social ideological and political development of three representative German professions law teaching and engineering from the late Empire to the early Federal Republic Based on a reformulated professionalization theory and on authoritative statistics he describes professional prosperity and prestige in the Second Reich and analyzes the social crisis brought on by hyperinflation stabilization and Depression during the chaotic Weimar years Threatened with the loss of livelihood and frightened by cultural disorientation many experts embraced neo conservative ideas and cooperated in Hitler's seizure of power Welcoming the apparent restoration of their authority in the early Third Reich professionals collaborated in the racial purges and warping of ethics practices and organizations under Nazi rule During the Second World War the radicalization of SS terror threatened the very survival of the professions so that most practitioners were only too happy to be rescued by Allied victory Exploring the reluctant democratization of the post war professions Jarausch concludes with a reflection on the lessons of the German experience for the relationship between professionalism and liberty

**Military Review**, 1931      **Review of Current Military Literature**, 1934      *Quarterly Review of Military Literature*, 1931      **Shouldering the Burdens of Defeat** Michael L. Hughes, 2014-06-30 World War II and its aftermath brought devastating material losses to millions of West Germans Military action destroyed homes businesses and personal possessions East European governments expelled 15 million ethnic Germans from their ancestral homes and currency reform virtually wiped out many Germans hard earned savings These war damaged individuals well over one third of the West German population vehemently demanded compensation at the expense of those who had not suffered losses to be financed through capital levies on surviving private property Michael Hughes offers the first comprehensive study of West Germany's efforts to redistribute the costs of war and defeat among its citizenry The debate over a Lastenausgleich a balancing out of burdens generated thousands of documents in which West Germans articulated deeply held beliefs about social justice economic rationality and political legitimacy Hughes uses these sources to trace important changes in German society since 1918 illuminating the process by which West Germans who had rejected liberal democracy in favor of Nazi dictatorship in the 1930s came to accept the social market economy and parliamentary democracy of the 1950s

*The Life and Poems of William Wordsworth* Albert Fels, 1875

**Sachs' German Conversational Grammar** H. Sachs, 1894      **League of Nations Publications**, 1925      *The Role of Kinaesthesia in the Perception of Rhythm with a Bibliography of Rhythm* Christian Alban Ruckmick, 1913      **Archiv Für Eisenbahnwesen**, 1899      *Maatschappij-Belangen*, 1897      **A New Practical Method of Learning the German Language** Freudenberg, W. Freudenberg, 1884      *On the Melodic Relativity of Tones* Otto Ortmann, 1926      *Journal of the*

American Geographical Society of New York American Geographical Society of New York,1910      **Current Catalog**  
National Library of Medicine (U.S.),1969 Includes subject section name section and 1968 1970 technical reports      **Am**  
**häuslichen Herd** ,1897      Deutsch-englisches Sachwörterbuch Wilhelm Ferdinand Sattler,1904  
    **Shakespeare-Bibliographie. 1887 und 1888; 1892 und 1893; 1894, 1895 und 1896** Albert Cohn,1887  
    **Catalogue of Scientific Papers** Royal Society (Great Britain),1914

Discover tales of courage and bravery in Crafted by is empowering ebook, Stories of Fearlessness: **Aufgabe No 1** . In a downloadable PDF format ( \*), this collection inspires and motivates. Download now to witness the indomitable spirit of those who dared to be brave.

[https://gandalf.roeckerfam.com/files/Resources/default.aspx/busineb\\_competitive\\_intelligence\\_managementdiscipline\\_in\\_de\\_2\\_e\\_eeuw.pdf](https://gandalf.roeckerfam.com/files/Resources/default.aspx/busineb_competitive_intelligence_managementdiscipline_in_de_2_e_eeuw.pdf)

## **Table of Contents Aufgabe No 1**

1. Understanding the eBook Aufgabe No 1
  - The Rise of Digital Reading Aufgabe No 1
  - Advantages of eBooks Over Traditional Books
2. Identifying Aufgabe No 1
  - Exploring Different Genres
  - Considering Fiction vs. Non-Fiction
  - Determining Your Reading Goals
3. Choosing the Right eBook Platform
  - Popular eBook Platforms
  - Features to Look for in an Aufgabe No 1
  - User-Friendly Interface
4. Exploring eBook Recommendations from Aufgabe No 1
  - Personalized Recommendations
  - Aufgabe No 1 User Reviews and Ratings
  - Aufgabe No 1 and Bestseller Lists
5. Accessing Aufgabe No 1 Free and Paid eBooks
  - Aufgabe No 1 Public Domain eBooks
  - Aufgabe No 1 eBook Subscription Services
  - Aufgabe No 1 Budget-Friendly Options

6. Navigating Aufgabe No 1 eBook Formats
  - ePub, PDF, MOBI, and More
  - Aufgabe No 1 Compatibility with Devices
  - Aufgabe No 1 Enhanced eBook Features
7. Enhancing Your Reading Experience
  - Adjustable Fonts and Text Sizes of Aufgabe No 1
  - Highlighting and Note-Taking Aufgabe No 1
  - Interactive Elements Aufgabe No 1
8. Staying Engaged with Aufgabe No 1
  - Joining Online Reading Communities
  - Participating in Virtual Book Clubs
  - Following Authors and Publishers Aufgabe No 1
9. Balancing eBooks and Physical Books Aufgabe No 1
  - Benefits of a Digital Library
  - Creating a Diverse Reading Collection Aufgabe No 1
10. Overcoming Reading Challenges
  - Dealing with Digital Eye Strain
  - Minimizing Distractions
  - Managing Screen Time
11. Cultivating a Reading Routine Aufgabe No 1
  - Setting Reading Goals Aufgabe No 1
  - Carving Out Dedicated Reading Time
12. Sourcing Reliable Information of Aufgabe No 1
  - Fact-Checking eBook Content of Aufgabe No 1
  - Distinguishing Credible Sources
13. Promoting Lifelong Learning
  - Utilizing eBooks for Skill Development
  - Exploring Educational eBooks
14. Embracing eBook Trends
  - Integration of Multimedia Elements

- Interactive and Gamified eBooks

## **Aufgabe No 1 Introduction**

In this digital age, the convenience of accessing information at our fingertips has become a necessity. Whether its research papers, eBooks, or user manuals, PDF files have become the preferred format for sharing and reading documents. However, the cost associated with purchasing PDF files can sometimes be a barrier for many individuals and organizations. Thankfully, there are numerous websites and platforms that allow users to download free PDF files legally. In this article, we will explore some of the best platforms to download free PDFs. One of the most popular platforms to download free PDF files is Project Gutenberg. This online library offers over 60,000 free eBooks that are in the public domain. From classic literature to historical documents, Project Gutenberg provides a wide range of PDF files that can be downloaded and enjoyed on various devices. The website is user-friendly and allows users to search for specific titles or browse through different categories. Another reliable platform for downloading Aufgabe No 1 free PDF files is Open Library. With its vast collection of over 1 million eBooks, Open Library has something for every reader. The website offers a seamless experience by providing options to borrow or download PDF files. Users simply need to create a free account to access this treasure trove of knowledge. Open Library also allows users to contribute by uploading and sharing their own PDF files, making it a collaborative platform for book enthusiasts. For those interested in academic resources, there are websites dedicated to providing free PDFs of research papers and scientific articles. One such website is Academia.edu, which allows researchers and scholars to share their work with a global audience. Users can download PDF files of research papers, theses, and dissertations covering a wide range of subjects. Academia.edu also provides a platform for discussions and networking within the academic community. When it comes to downloading Aufgabe No 1 free PDF files of magazines, brochures, and catalogs, Issuu is a popular choice. This digital publishing platform hosts a vast collection of publications from around the world. Users can search for specific titles or explore various categories and genres. Issuu offers a seamless reading experience with its user-friendly interface and allows users to download PDF files for offline reading. Apart from dedicated platforms, search engines also play a crucial role in finding free PDF files. Google, for instance, has an advanced search feature that allows users to filter results by file type. By specifying the file type as "PDF," users can find websites that offer free PDF downloads on a specific topic. While downloading Aufgabe No 1 free PDF files is convenient, its important to note that copyright laws must be respected. Always ensure that the PDF files you download are legally available for free. Many authors and publishers voluntarily provide free PDF versions of their work, but its essential to be cautious and verify the authenticity of the source before downloading Aufgabe No 1. In conclusion, the internet offers numerous platforms and websites that allow users to download free PDF files legally. Whether its classic literature, research papers, or magazines, there is something for

everyone. The platforms mentioned in this article, such as Project Gutenberg, Open Library, Academia.edu, and Issuu, provide access to a vast collection of PDF files. However, users should always be cautious and verify the legality of the source before downloading Aufgabe No 1 any PDF files. With these platforms, the world of PDF downloads is just a click away.

### FAQs About Aufgabe No 1 Books

How do I know which eBook platform is the best for me? Finding the best eBook platform depends on your reading preferences and device compatibility. Research different platforms, read user reviews, and explore their features before making a choice. Are free eBooks of good quality? Yes, many reputable platforms offer high-quality free eBooks, including classics and public domain works. However, make sure to verify the source to ensure the eBook credibility. Can I read eBooks without an eReader? Absolutely! Most eBook platforms offer web-based readers or mobile apps that allow you to read eBooks on your computer, tablet, or smartphone. How do I avoid digital eye strain while reading eBooks? To prevent digital eye strain, take regular breaks, adjust the font size and background color, and ensure proper lighting while reading eBooks. What the advantage of interactive eBooks? Interactive eBooks incorporate multimedia elements, quizzes, and activities, enhancing the reader engagement and providing a more immersive learning experience. Aufgabe No 1 is one of the best book in our library for free trial. We provide copy of Aufgabe No 1 in digital format, so the resources that you find are reliable. There are also many Ebooks of related with Aufgabe No 1. Where to download Aufgabe No 1 online for free? Are you looking for Aufgabe No 1 PDF? This is definitely going to save you time and cash in something you should think about.

### Find Aufgabe No 1 :

[business competitive intelligence management discipline in the 21st century](#)

[\*\*building your own nature museum for study and pleasure\*\*](#)

[\*\*business & the law\*\*](#)

[buns of steel total body workout](#)

[business business 6th ed](#)

[burlington northern santa fe 1996 motive](#)

[burr mccloskeys the novella trio little girl what now/dreams under fire/afterwards/boxed](#)

[\*\*bunker man\*\*](#)

[\*bulletproof heart marry me cowboy/holding out for a hero\*](#)

**bum bhola and the dwarf and other stories paperback**

bundle sp+ bus comm process and product w/infotrac+jbsrch+cd

**bultnpg/100 a heart of worship**

burlesque legendary stars of the stage

**bush ballads and galloping rhymes**

bulimia a guide for sufferers and their families mandarin paperback

**Aufgabe No 1 :**

*i am a wonder woman inspiring activities to try* - Mar 30 2023

web i am a wonder woman inspiring activities to try i 3 3 known as an expert on truth he invented the lie detector test lived a life of secrets only to spill them on the pages of

**i am a wonder woman inspiring activities to try i 2022** - Apr 30 2023

web 4 i am a wonder woman inspiring activities to try i 2023 10 07 suggestion of his wife elizabeth wonder woman soon showed what women can do capture enemy soldiers

**i am a wonder woman inspiring activities to try i pdf** - Aug 03 2023

the big twist was the legendary god killer was not actually the sword the true god killer was diana herself the lesson that we can learn from here is you can see more

**i am a wonder woman inspiring activities to try** - Oct 25 2022

web solicitous trips into my inner space as a globalized individual not only am i free of all forms of prejudice i am also capable of a world embracing vision that extends well into the

*14 inspiring lessons women can learn from wonder* - Oct 05 2023

for many centuries women have been portrayed as vulnerable victims and defenseless princesses who always need saving however diana proved that regardless of gender anyone can make a difference and create a better world see more

**top wonder woman gifts best gift ideas for women and girls** - Jan 16 2022

web wonder woman is grateful for her lasso of truth which helps her defeat her enemies when she works to stop the villain circe she tries to find a peaceful solution putting

i am a wonder woman inspiring activities to try incredible - Mar 18 2022

web find the cheapest prices on this i am a wonder woman inspiring activities to try incredible women to discover on pricerunner

**her view from home motherhood marriage faith and** - Dec 27 2022

web apr 19 2018 booktopia has i am wonder woman inspiring activities for you to try incredible women to discover by ellen bailey buy a discounted paperback of i am

**i am a wonder woman inspiring activities to try incredible** - Apr 18 2022

web what s more readers can step into the lives of these inspirational figures with unique activities creative questions to answer and captivating topics to give thought to with

**fun ideas for throwing a wonder woman party artsy** - Feb 26 2023

web heartfelt and delightful i m not wonder woman encourages inspires and challenges women to discover the real you best selling author sheila walsh then invites readers

**i am a wonder woman inspiring activities to try i book** - Nov 25 2022

web extraordinary faith and i m not wonder woman is authored by sheila walsh and bundled into a 2 in 1 collection i am a wonder mar 25 2021 who doesn t love unicorns this

*i am a wonder woman inspiring activities to try incredible* - Jul 22 2022

web i am a wonder woman inspiring activities to try incredible women to discover by bailey ellen beer sophie farnsworth lauren isbn 10 1780555512 isbn 13

*10 inspiring lessons taught by wonder woman cbr* - Jul 02 2023

there are times when society thinks that your voice doesn t matter and that everything you believe in is foolish and irrational nonetheless if you know that you re see more

*i am wonder woman inspiring activities for you to try* - Jan 28 2023

web i am a wonder woman inspiring activities to try i 1 i am a wonder woman inspiring activities to try i kacey musgraves wonder woman lyrics wonder woman

*i am a wonder woman inspiring activities to try incredible* - Feb 14 2022

web wonder woman gifts products 1 60 of 183 active filters if you re looking for wonder woman gifts for the fan in your life or maybe just yourself you ll love our wonder

**i am a wonder woman inspiring activities to try incredible** - May 20 2022

web incredible women to discover by ellen bailey sophie beer lauren farnsworth alibris buy i am a wonder woman inspiring activities to try incredible women to discover by

**i am a wonder woman inspiring activities to try i pdf** - Sep 04 2023

do you still remember the time when you used to dream about what you wanted to be when you grow up how many times have we been told that we can t be a see more

**i am a wonder woman inspiring activities to try i download** - Dec 15 2021

[i am a wonder woman inspiring activities to try incredible](#) - Jun 20 2022

web i am a wonder woman inspiring activities to try incredible women to discover bailey ellen beer sophie farnsworth lauren amazon in books

[i am a wonder woman inspiring activities to try i 2023](#) - Sep 23 2022

web this online statement i am a wonder woman inspiring activities to try incredible women to discover pdf can be one of the options to accompany you subsequent to

**i am a wonder woman inspiring activities to try incredible** - Aug 23 2022

web i am a wonder woman is an entertaining and inspirational look at some of the most influential women in history from ancient times to the modern day

**i am a wonder woman inspiring activities to try i full pdf** - Jun 01 2023

sameer and charlie may not look like it but they proved to be trustworthy companions to steve and even to diana always give anyone you meet no matter how see more

**raconteur d histoires folio t 4112 2023 data northitalia** - Oct 02 2023

2 raconteur d histoires folio t 4112 2023 08 08 nations of europe the italians principally and also the ge the love affairs of a bibliomaniac melville international crime in the angel of history moses looks at three philosophersfranz rosenzweig walter benjamin

**raconteur d histoires folio t 4112 by didier daeninckx** - Sep 01 2023

jun 15 2023 raconteur d histoires folio t 4112 by didier daeninckx as you such as simply stated the raconteur d histoires folio t 4112 by didier daeninckx is commonly compatible with any devices to download our virtual resource hosts in several sites facilitating you to fetch the minimal delay period to download

[raconter türkçe çeviri örnekler fransızca reverso context](#) - May 17 2022

Ücretsiz sesli raconter metninin reverso context tarafından fransızca türkçe bağlamda çevirisi raconter l histoire je vais vous raconter raconter ça tout raconter histoire à raconter

**raconteur d histoires folio t 4112 by didier daeninckx** - Jan 25 2023

jun 19 2023 this raconteur d histoires folio t 4112 by didier daeninckx as one of the bulk operational sellers here will completely be accompanied by the best possibilities to review bibliopoché parutions du mois y pdf free download raconteur d histoires didier daeninckx google books fr raconteur d

**raconteur d histoires folio t 4112 pdf uniport edu** - Jun 29 2023

mar 28 2023 raconteur d histoires folio t 4112 1 5 downloaded from uniport edu ng on march 28 2023 by guest raconteur d histoires folio t 4112 as recognized adventure as with ease as experience about lesson amusement as competently as contract

can be gotten by just checking out a book raconteur d histoires folio t 4112 furthermore it

**traduction de raconter des histoires en turc reverso context** - Apr 15 2022

traductions en contexte de raconter des histoires en français turc avec reverso context je fais des films car je veux raconter des histoires traduction context correcteur synonymes conjugaison conjugaison documents dictionnaire dictionnaire collaboratif grammaire expressio reverso corporate

**raconteur d histoires folio t 4112 pdf uniport edu** - Feb 11 2022

apr 25 2023 raconteur d histoires folio t 4112 3 8 downloaded from uniport edu ng on april 25 2023 by guest painting in venice from bellini to titian to tintoretto is an accessible introduction to the paintings of this period peter humfrey surveys the development of a distinctly venetian artistic tradition from the middle

**raconteur d histoires folio t 4112 by didier daeninckx f1test** - Sep 20 2022

recognizing the embellishment ways to obtain this ebook raconteur d histoires folio t 4112 by didier daeninckx is furthermore beneficial as recognized journey as dexterously as expertise just about instruction entertainment as masterfully as contract can be gotten by just checking out a book raconteur d histoires folio t 4112 by didier

**raconteur d histoires folio t 4112 by didier daeninckx f1test** - Dec 24 2022

jun 12 2023 raconteur d histoires folio t 4112 french edition and over one million other books are available for kindle learn more hemingway s library as we have assembled it is a posite record of book collections in six locations 1 the big house at 907 whitehead street key

raconteur d histoires folio t 4112 by didier daeninckx f1test - Jun 17 2022

jun 17 2023 raconteur d histoires folio t 4112 by didier daeninckx raconteur d histoires folio t 4112 by didier daeninckx this is why we offer the ebook assortments in this website in the abode job site or potentially in your technique can be every top choice within web connections it is not around orally the expenditures its virtually what you

**raconteur d histoires folio t 4112 julius hirschberg pdf** - Mar 27 2023

intention to download and install the raconteur d histoires folio t 4112 it is totally easy then previously currently we extend the member to purchase and make bargains to download and install raconteur d histoires folio t 4112 fittingly simple diseases of the eyes c devereux marshall 1914 foundations of ophthalmic pathology daniel m

**raconteur d histoires folio t 4112 download only** - Jul 31 2023

raconteur d histoires folio t 4112 symbolae antillanae mar 23 2022 hebrew bible manuscripts in the cambridge genizah collections volume 3 taylor schechter additional series 1 31 feb 02 2023 following the successful publication of the first two volumes of hebrew bible manuscripts in the

raconteur d histoires folio t 4112 copy thegreenroute - Oct 22 2022

2 raconteur d histoires folio t 4112 2023 03 05 raconteur d histoires folio t 4112 downloaded from thegreenroute com by guest valerie nixon le dauphiné melville international crime este livro aborda uma face original e pouco explorada de alexandre dumas pai autor entre outros de os três mosqueteiros a de memorialista

*tureng raconteur türkçe İngilizce sözlük* - Jul 19 2022

İngilizce türkçe online sözlük tureng kelime ve terimleri çevir ve farklı aksanlarda sesli dinleme raconteur hikayeci raconteur iyi öykü anlatan kimse raconteur ne demek

**raconteur d histoires folio t 4112 pdf copy live hubitat** - Aug 20 2022

web2 raconteur d histoires folio t 4112 2022 07 28 raconteur d histoires folio t 4112 downloaded from legacy theoc org by guest hope carla la quinzaine littéraire copernicus books poetry the work of a raconteur of the spirit a splendid storyteller with just enough jaunty language to make you feel you d want to hear almost anything he had

**raconteur d histoires folio t 4112 download only wrbb neu** - May 29 2023

we provide raconteur d histoires folio t 4112 and numerous book collections from fictions to scientific research in any way in the midst of them is this raconteur d histoires folio t 4112 that can be your partner raconteur d histoires folio t 4112 2022 03 27 cordova aubrey alexandre dumas raconteur w w norton company

*raconteur d histoires folio t 4112 pdf neurocme med ucla* - Nov 22 2022

raconteur d histoires folio t 4112 1 raconteur d histoires folio t 4112 yeah reviewing a books raconteur d histoires folio t 4112 could add your close associates listings this is just one of the solutions for you to be successful as understood achievement does not suggest that you have astonishing points

**raconteur d histoires folio t 4112 pdf pdf** - Apr 27 2023

raconteur d histoires folio t 4112 pdf pages 3 8 raconteur d histoires folio t 4112 pdf upload caliva y boyle 3 8 downloaded from veracode dev anaconda com on october 2 2023 by caliva y boyle allow her to refuse what ensues is a dark game of pleasure and pain fear and desire is it only a game only revenge only a dare or is it something

raconteur d histoires en 8 lettres commeunefleche - Mar 15 2022

may 14 2023 liste des synonymes possibles pour raconteur d histoires parle quand il convient de se taire voisine femme prete à s étendre auteur de rumeurs source d information femme de discours source de rumeur terme d amitié donné à une femme auteur de cancons raconte avec indiscretion autres solutions pour raconteur d histoires

raconteur d histoires folio t 4112 admin store motogp - Feb 23 2023

raconteur d histoires folio t 4112 3 3 structure the french critic remy de gourmont has gone so far as to develop a quasi law of history which claims that in all ages and in all climes men

*cuaderno para corredores mejora tu rendimiento al nicholas* - Jun 20 2022

web this cuaderno para corredores mejora tu rendimiento al as one of the most functional sellers here will extremely be along with the best options to review

**cuaderno para corredores mejora tu rendimiento al** - Nov 13 2021

web cuaderno para corredores mejora tu rendimiento al can be taken as capably as picked to act the black book of training secrets christian thibaudeau 2014 06 04 the first

**cuaderno para corredores mejora tu rendimiento al correr** - Aug 03 2023

web jul 18 2019 cuaderno para corredores mejora tu rendimiento al correr registrando todos tus entrenamientos cuaderno para runners o aficionados al running de

top 20 alimentos para corredores infografia completa - Sep 23 2022

web debido a ciertos estudios se llego a la conclusión que es sumamente benéfico para un rendimiento deportivo en los corredores así que podemos decir que 1 o 2 tazas de

**cuaderno para corredores mejora tu rendimiento al** - Apr 18 2022

web cuaderno para corredores mejora tu rendimiento al recognizing the habit ways to acquire this book cuaderno para corredores mejora tu rendimiento al is

*cuaderno para corredores mejora tu rendimiento al pdf* - Jul 22 2022

web cuadernos pensamiento positivo en 30 días pack el monje que vendió su ferrari guía para progresar como corredor aprendizaje visible feedback puedo iniciar

**musculación para corredores i primeros pasos vitónica** - Dec 27 2022

web pautas básicas de un corredor en el gimnasio lo primero que debe hacer un corredor en el gimnasio es pensar que es un corredor no un levantador de pesas o alguien que

cómo elaborar el mejor menú semanal para corredores - Jan 28 2023

web mi ger será de 8 7 x 62 826 1365 4 kcal al día en reposo mi fa es bastante activa porque entreno seis días por semana así que utilizo el valor medio de 1 85 así mi

**cuaderno para corredores mejora tu rendimiento al simon** - Dec 15 2021

web establecer metas la administración del tiempo la visualización y la conversación poder para la lograr elevados niveles de rendimiento en todas las áreas de interna vida

**entrenamiento de fuerza para corredores en gimnasio** - Feb 26 2023

web hasta aquí nuestra guía sobre entrenamiento de fuerza para corredores espero que os haya gustado fuentes bibliográficas bomba t o 2000 periodización del

**cuaderno para corredores mejora tu rendimiento al correr** - Oct 13 2021

web cuaderno para corredores mejora tu rendimiento al correr registrando todos tus entrenamientos cuaderno para runners o aficionados al running libreta para

*cuaderno para corredores mejora tu rendimiento al correr* - Sep 04 2023

web may 14th 2020 cuaderno para corredores mejora tu rendimiento al correr registrando todos tus entrenamientos cuaderno para runners o aficionados al running libreta para

*cuaderno para corredores mejora tu rendimiento al pdf* - Mar 18 2022

web 2 cuaderno para corredores mejora tu rendimiento al 2023 03 14 de shopping turismo first class fiestas tipo bien y antros cool ahora con cómo superar a tu ex

**cuaderno para corredores mejora tu rendimiento al** - Feb 14 2022

web cuaderno para corredores rage cuadernos de deporte 2019 07 18 cuaderno para aficionados a correr donde podrás registrar todas tus salidas carreras tiempos

*cuaderno para corredores mejora tu rendimiento al 2022* - Jul 02 2023

web ejercicios que puede personalizar para optimizar su rendimiento además de estrategias para prevenir lesiones directrices específicas sobre nutrición e hidratación y mucho más

cuaderno para corredores mejora tu rendimiento al 2023 - May 20 2022

web cuaderno para corredores mejora tu rendimiento al 3 3 su pueblo en unos cuadernos el juego que parece trivial podría convertirse en la clave para resolver una

cuaderno para corredores mejora tu rendimiento al - Oct 25 2022

web you could buy guide cuaderno para corredores mejora tu rendimiento al or get it as soon as feasible you could speedily download this cuaderno para corredores mejora

**cuaderno para corredores mejora tu rendimiento al 2023** - Jun 01 2023

web modo de complemento esta obra contiene un test que permite al atleta determinar la absorción de oxígeno a través de la masa corporal libre de grasa cuaderno para

**download solutions cuaderno para corredores mejora tu** - Nov 25 2022

web cuaderno para corredores mejora tu rendimiento al el correr chi jun 10 2020 en el correr chi se presenta una nueva técnica de carrera que se basa en disciplinas

**cuaderno para corredores mejora tu rendimiento al correr** - Oct 05 2023

web cuaderno para corredores mejora tu rendimiento al correr registrando todos tus entrenamientos cuaderno para runners o aficionados al running libreta para

*cuaderno para corredores mejora tu rendimiento al* - Aug 23 2022

web ejercicios que puede personalizar para optimizar su rendimiento además de estrategias para prevenir lesiones directrices específicas sobre nutrición e hidratación y mucho más

**cómo aumentar la energía y la resistencia para correr nike mx** - Apr 30 2023

web cómo aumentar la resistencia y el vigor en el running 1 mantén la constancia puedes aumentar la resistencia al correr tan seguido como puedas sé constante con tu

**cuaderno para corredores mejora tu rendimiento al correr** - Jan 16 2022

web cuaderno para corredores mejora tu rendimiento al correr registrando todos tus entrenamientos cuaderno para runners o aficionados al running libreta para

*entrenamiento de fuerza para corredores 1 propuesta* - Mar 30 2023

web entrenamiento de fuerza en corredores mejora tu rendimiento y previene lesiones hola a todos los apasionados del running si estás buscando alcanzar tu máximo potencial