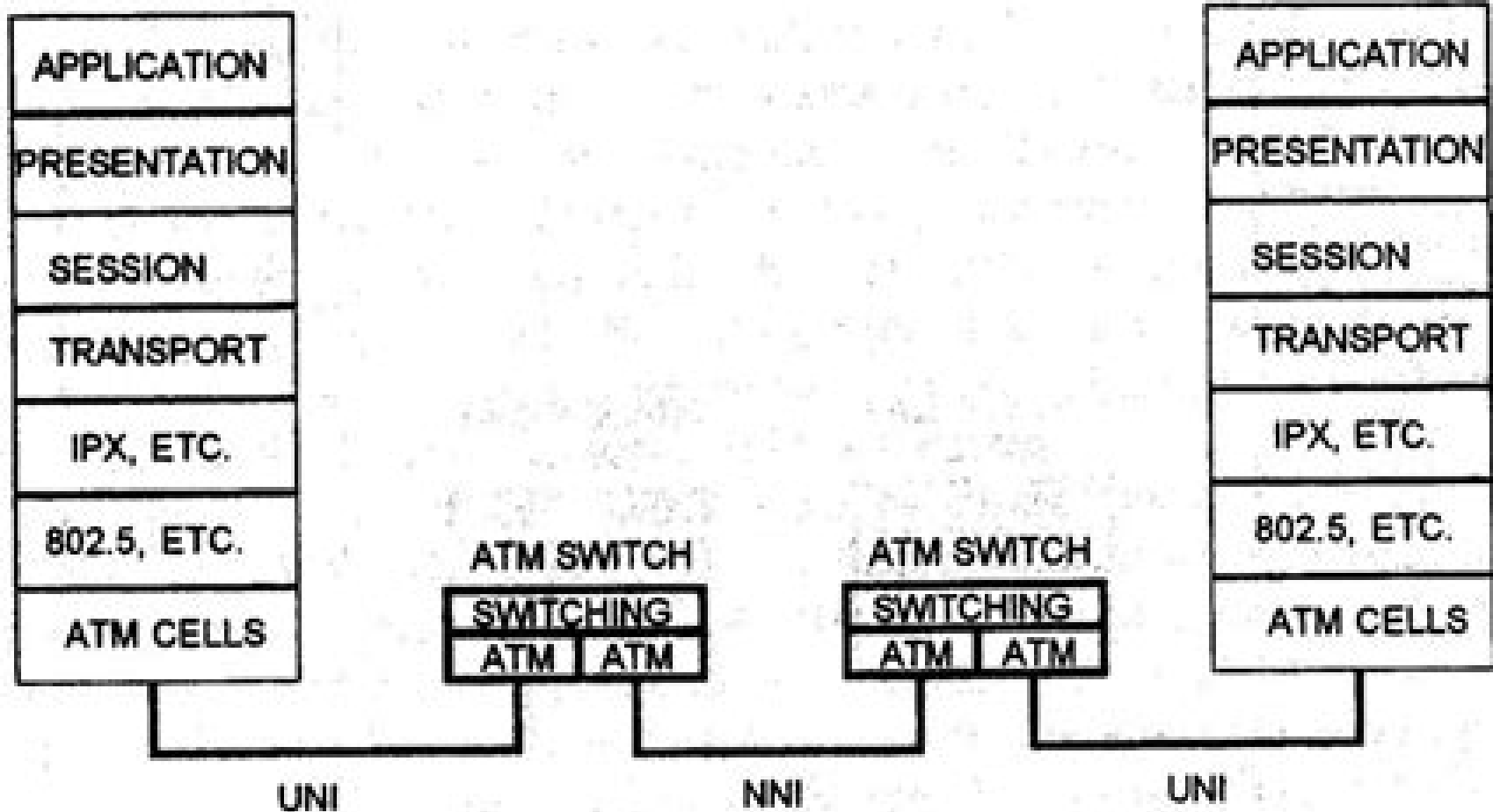


ATM Network



Atm Network Performance

G Thomas



Atm Network Performance:

Unveiling the Energy of Verbal Art: An Psychological Sojourn through **Atm Network Performance**

In some sort of inundated with monitors and the cacophony of immediate connection, the profound energy and mental resonance of verbal art frequently fade into obscurity, eclipsed by the constant assault of sound and distractions. However, nestled within the lyrical pages of **Atm Network Performance**, a interesting perform of literary brilliance that impulses with fresh thoughts, lies an remarkable trip waiting to be embarked upon. Composed with a virtuoso wordsmith, that magical opus instructions readers on a mental odyssey, delicately exposing the latent potential and profound influence stuck within the complex web of language. Within the heart-wrenching expanse of this evocative analysis, we can embark upon an introspective exploration of the book is main themes, dissect its fascinating writing fashion, and immerse ourselves in the indelible impression it leaves upon the depths of readers souls.

<https://gandalf.roeckerfam.com/data/scholarship/fetch.php/A%20Comedy%20Of%20Errors%20Folger%20Edition.pdf>

Table of Contents Atm Network Performance

1. Understanding the eBook Atm Network Performance
 - The Rise of Digital Reading Atm Network Performance
 - Advantages of eBooks Over Traditional Books
2. Identifying Atm Network Performance
 - Exploring Different Genres
 - Considering Fiction vs. Non-Fiction
 - Determining Your Reading Goals
3. Choosing the Right eBook Platform
 - Popular eBook Platforms
 - Features to Look for in an Atm Network Performance
 - User-Friendly Interface
4. Exploring eBook Recommendations from Atm Network Performance
 - Personalized Recommendations

- Atm Network Performance User Reviews and Ratings
- Atm Network Performance and Bestseller Lists
- 5. Accessing Atm Network Performance Free and Paid eBooks
 - Atm Network Performance Public Domain eBooks
 - Atm Network Performance eBook Subscription Services
 - Atm Network Performance Budget-Friendly Options
- 6. Navigating Atm Network Performance eBook Formats
 - ePub, PDF, MOBI, and More
 - Atm Network Performance Compatibility with Devices
 - Atm Network Performance Enhanced eBook Features
- 7. Enhancing Your Reading Experience
 - Adjustable Fonts and Text Sizes of Atm Network Performance
 - Highlighting and Note-Taking Atm Network Performance
 - Interactive Elements Atm Network Performance
- 8. Staying Engaged with Atm Network Performance
 - Joining Online Reading Communities
 - Participating in Virtual Book Clubs
 - Following Authors and Publishers Atm Network Performance
- 9. Balancing eBooks and Physical Books Atm Network Performance
 - Benefits of a Digital Library
 - Creating a Diverse Reading Collection Atm Network Performance
- 10. Overcoming Reading Challenges
 - Dealing with Digital Eye Strain
 - Minimizing Distractions
 - Managing Screen Time
- 11. Cultivating a Reading Routine Atm Network Performance
 - Setting Reading Goals Atm Network Performance
 - Carving Out Dedicated Reading Time
- 12. Sourcing Reliable Information of Atm Network Performance
 - Fact-Checking eBook Content of Atm Network Performance

- Distinguishing Credible Sources
- 13. Promoting Lifelong Learning
 - Utilizing eBooks for Skill Development
 - Exploring Educational eBooks
- 14. Embracing eBook Trends
 - Integration of Multimedia Elements
 - Interactive and Gamified eBooks

Atm Network Performance Introduction

Atm Network Performance Offers over 60,000 free eBooks, including many classics that are in the public domain. Open Library: Provides access to over 1 million free eBooks, including classic literature and contemporary works. Atm Network Performance Offers a vast collection of books, some of which are available for free as PDF downloads, particularly older books in the public domain. Atm Network Performance : This website hosts a vast collection of scientific articles, books, and textbooks. While it operates in a legal gray area due to copyright issues, its a popular resource for finding various publications. Internet Archive for Atm Network Performance : Has an extensive collection of digital content, including books, articles, videos, and more. It has a massive library of free downloadable books. Free-eBooks Atm Network Performance Offers a diverse range of free eBooks across various genres. Atm Network Performance Focuses mainly on educational books, textbooks, and business books. It offers free PDF downloads for educational purposes. Atm Network Performance Provides a large selection of free eBooks in different genres, which are available for download in various formats, including PDF. Finding specific Atm Network Performance, especially related to Atm Network Performance, might be challenging as theyre often artistic creations rather than practical blueprints. However, you can explore the following steps to search for or create your own Online Searches: Look for websites, forums, or blogs dedicated to Atm Network Performance, Sometimes enthusiasts share their designs or concepts in PDF format. Books and Magazines Some Atm Network Performance books or magazines might include. Look for these in online stores or libraries. Remember that while Atm Network Performance, sharing copyrighted material without permission is not legal. Always ensure youre either creating your own or obtaining them from legitimate sources that allow sharing and downloading. Library Check if your local library offers eBook lending services. Many libraries have digital catalogs where you can borrow Atm Network Performance eBooks for free, including popular titles. Online Retailers: Websites like Amazon, Google Books, or Apple Books often sell eBooks. Sometimes, authors or publishers offer promotions or free periods for certain books. Authors Website Occasionally, authors provide excerpts or short stories for free on their websites. While this might not be the Atm Network Performance full book , it can give you a taste of

the authors writing style. Subscription Services Platforms like Kindle Unlimited or Scribd offer subscription-based access to a wide range of Atm Network Performance eBooks, including some popular titles.

FAQs About Atm Network Performance Books

How do I know which eBook platform is the best for me? Finding the best eBook platform depends on your reading preferences and device compatibility. Research different platforms, read user reviews, and explore their features before making a choice. Are free eBooks of good quality? Yes, many reputable platforms offer high-quality free eBooks, including classics and public domain works. However, make sure to verify the source to ensure the eBook credibility. Can I read eBooks without an eReader? Absolutely! Most eBook platforms offer web-based readers or mobile apps that allow you to read eBooks on your computer, tablet, or smartphone. How do I avoid digital eye strain while reading eBooks? To prevent digital eye strain, take regular breaks, adjust the font size and background color, and ensure proper lighting while reading eBooks. What the advantage of interactive eBooks? Interactive eBooks incorporate multimedia elements, quizzes, and activities, enhancing the reader engagement and providing a more immersive learning experience. Atm Network Performance is one of the best book in our library for free trial. We provide copy of Atm Network Performance in digital format, so the resources that you find are reliable. There are also many Ebooks of related with Atm Network Performance. Where to download Atm Network Performance online for free? Are you looking for Atm Network Performance PDF? This is definitely going to save you time and cash in something you should think about.

Find Atm Network Performance :

[a comedy of errors folger edition](#)

a fall to grace

a day in the country the pleasures of rural life

a comprehensive guide to digital closeup photography

a dual boundary element formulation for threedimensional fracture analysis hc 1999 vol 37

~~a e r a progress in cars photocopy only~~

a dragons ascension library edition band of four novels

a damned serious business my life in comedy.

[a deadly shade of green](#)

[a field guide to bird songs eastern and central north america](#)

[a dark adapted eye](#)

a dolls house pacemaker classics

a dictionary of chinese mythology

a dictionary of philosophy

a csillagfejtés könyve az asztrologia elemelete és gyakorlata számos ábrával és táblázattal

Atm Network Performance :

[air pollution control an overview sciencedirect topics](#) - Mar 06 2022

web air pollution control in textile industry b purushothama in humidification and ventilation management in textile industry 2009 12 3 2 consideration of exhaust stream pre cooling for the apc system to capture vocs the vapours are to be condensed therefore cooling the air stream is the first step

journal of the air pollution control association taylor francis - Feb 17 2023

web oct 16 2023 first published in 1951 under the name air repair j awma is intended to serve those occupationally involved in air pollution control and waste management through the publication of timely and reliable information vision ja wma publishes a broad range of topics consistent with the mission of the air and waste management

[pdf urban air pollution control policies and researchgate](#) - Aug 11 2022

web oct 1 2021 this systematic review comprehensively appraises the policies and strategies on air pollutants controls enacted in different countries worldwide

managing air quality control strategies to achieve air pollution - Jul 22 2023

web aug 21 2023 a control strategy related to air quality is a set of specific techniques and measures identified and implemented to achieve reductions in air pollution to attain an air quality standard or goal on this page considerations in designing an effective air quality control strategy controlling sources of pollution

air quality management an overview sciencedirect topics - Nov 14 2022

web there are several different strategies for air pollution control the strategy just discussed and shown in fig 9 6 is called the air quality management strategy it is distinguished from other strategies by its primary reliance on the development and promulgation of ambient air quality standards

pollution control definition examples types facts - Apr 07 2022

web sep 14 2023 for full treatment of major areas of pollution control see air pollution control wastewater treatment solid waste management and hazardous waste management

air pollution management and control msc diploma - Oct 13 2022

web this air pollution management and control course will provide you with a comprehensive understanding of the causes and effects of air pollution and of the management measures and engineering technologies available

air pollution control a section of atmosphere mdpi - May 20 2023

web a control strategy is a set of specific techniques and measures identified and implemented to achieve reductions in air pollution to attain an air quality standard or goal this section discusses air pollution control strategies engineering and technologies including the performance potential and limitations of the major control processes

air pollution control solutions effects prevention britannica - Sep 24 2023

web aug 29 2023 air pollution control the techniques employed to reduce or eliminate the emission into the atmosphere of substances that can harm the environment or human health the control of air pollution is one of the principal areas of pollution control along with wastewater treatment solid waste management and hazardous waste management

pollution 2018 management annual report - Mar 18 2023

web of designing their own air quality management plans or regulatory architecture to control and manage pollution pmeh has brought in international experts to identify the most cost effective measures to reduce air pollution trained local technicians

pdf air pollution management researchgate - Aug 23 2023

web jun 1 2018 chapter 4 presents the details of air quality management which includes air quality standards air quality monitoring preventive measures air pollution control efforts

air pollution world health organization who - Sep 12 2022

web oct 12 2023 air pollution overview more air pollution is contamination of the indoor or outdoor environment by any chemical physical or biological agent that modifies the natural characteristics of the atmosphere household combustion devices motor vehicles industrial facilities and forest fires are common sources of air pollution

cost effective technologies for control of air pollution and - Feb 05 2022

web may 27 2022 air pollution management is necessary for the elimination or reduction of pollutants to acceptable levels the presence of airborne gaseous pollutants suspended particulate matter and many more in the atmosphere are capable of causing adverse effects on human health animals or plants and damage to the environment e g climatic

air pollution and management a brief introduction escap - May 08 2022

web apr 14 2023 abstract the deteriorating quality of air transboundary haze pollution and global climate change are the major problems affecting the atmospheric ecosystem air quality has deteriorated as a result of increasing traffic congestion rapid industrialisation and increased energy consumption

mitigation strategies for reducing air pollution springerlink - Jun 21 2023

web apr 11 2020 air quality management policies have to fix new air quality standards that maximize overall population benefits reduce illness related to air pollution and gas emissions from industrial urban or domestic activities fann et al 2011 it is essential to identify effective structural and exceptional measures throughout the national territory

air pollution control strategies directly limiting national health - Jun 09 2022

web feb 19 2020 current us air pollution control is driven by compliance with air pollutant concentration standards and achieved through emission reductions from individual sources

air quality management and control springerlink - Apr 19 2023

web sep 25 2020 this chapter discusses the principles of air quality management framework for air quality management air quality standards and legislations air quality management practices in selected countries and challenges in air quality management

urban air pollution control policies and strategies a systematic - Dec 15 2022

web oct 8 2021 full size table the basic and inherent advantages of establishment the legislations strategies and policies in the fields of air pollution are preventive measurement and requirement to control the air pollution in emission sources improving the air quality and avoiding negative health outcomes

air pollution and management a brief introduction escap - Jul 10 2022

web the monitoring of certain pollutants such as ozone o₃ nitrogen oxides nox sulphur dioxide so₂ carbon monoxide co particulate matter pm and others are imperative to fully understanding how and where to enact air pollution mitigation policies

who global air quality guidelines world health organization - Jan 16 2023

web sep 22 2021 who global air quality guidelines 22 september 2021 q a the updated who global air quality guidelines aqgs provide recommendations on air quality guideline levels as well as interim targets for six key air pollutants

bacteria and viruses guided and study workbook pdf - Dec 09 2022

web may 29 2023 genetics of bacteria and their viruses and it provides students with a comprehensive introduction to this rapidly changing subject the book is written for upper

bacteriaandvirusesguidedandstudyworkbook 2023 - May 02 2022

web aug 3 2023 bacteria and viruses guided and study workbook 1 10 downloaded from uniport edu ng on august 3 2023 by guest bacteria and viruses guided and study

bacteria and viruses guided study workbook ahecdata utah edu - Aug 05 2022

web member to purchase and make bargains to download and install bacteria and viruses guided and study workbook

suitably simple understanding bacteria s srivastava

bacteria and viruses guided and study workbook uniport edu - Apr 01 2022

web these free worksheets examine the bacteria and viruses that can cause many diseases however some of them are good learn the anatomy of bacteria and viruses with easy

module handbook virology - Feb 11 2023

web aug 7 2023 bacteria and viruses guided and study workbook 1 10 downloaded from uniport edu ng on august 7 2023 by guest bacteria and viruses guided and study

bacteria and viruses guided and study workbook db csda - Oct 19 2023

web bacteria and viruses guided and study workbook 3 3 medically important bacteria classification of viruses clinical virology drugs and vaccines genetics of bacterial

bacteria and viruses guided study workbook book wiki lwn - Mar 12 2023

web able to explain current cases case studies on covid 19 replication pathogenesis and strategies therapy clo 14 able to explain recent cases case studies on covid 19

bacteria and viruses guided and study workbook pdf - Aug 17 2023

web apr 14 2023 to some harmful virus inside their computer bacteria and viruses guided and study workbook is genial in our digital library an online entry to it is set as public

bacteriaandvirusesguidedandstudyworkbook full pdf cie - Dec 29 2021

web apr 18 2023 their favorite books afterward this bacteria and viruses guided and study workbook but stop up in harmful downloads rather than enjoying a good pdf

bacteria and viruses guided and study workbook pdf - Jun 03 2022

web bacteria and viruses free pdf download learn bright when a virus infects an organism it causes that organism to become sick viruses can pass from one organism to another

bacteria and viruses guided and study workbook uniport edu - Nov 27 2021

bacteria and viruses guided and study workbook pdf cie - Sep 18 2023

web bacteria and viruses guided and study workbook study guide for understanding pathophysiology e book sue e huether 2011 12 06 designed to be used in tandem

bacteria and virus worksheets easy teacher worksheets - Feb 28 2022

web jan 2 2021 the capsid has all amino acids found in other plant proteins each capsomere contains about 168 amino acid molecules bsc 2nd year microbiology viruses notes

bacteria and viruses guided and study workbook steve mould - Jul 04 2022

web 2 bacteria and viruses guided and study workbook 2020 04 28 transmitted during air and maritime travel covers the major infectious disease outbreaks framed in their

bsc microbiology viruses notes study material guruji study - Jan 30 2022

web studies that link pathology to real world clinical applications and absorbing tales from the history of medicine this engaging book focuses on the patient as it guides you through

introduction classifying prokaryotes denton isd - Jun 15 2023

web 1 what are prokaryotes they are single celled organisms that lack a nucleus 2 is the following sentence true or false prokaryotes are much smaller than most eukaryotic

bacteria and viruses free pdf download learn bright - May 14 2023

web study with quizlet and memorize flashcards containing terms like prokaryote bacteria bacilli and more

bacteria and viruses guided and study workbook pdf uniport edu - Jul 16 2023

web jul 13 2023 eukaryotes viruses viroids and prions principles of disease and epidemiology microbial mechanisms of pathogenicity innate immunity adaptive

bacteria and viruses guided and study workbook pdf - Nov 08 2022

web study guide to accompany pelczar chan and krieg microbiology science explorer from bacteria to plants spanish guided reading and study workbook 2005 guide to

bacteria and viruses guided and study workbook pdf uniport edu - Jan 10 2023

web jun 15 2023 enveloped viruses rna non enveloped viruses slow viruses and prions and tumor viruses study drugs and vaccines notes pdf chapter 5 class notes with

chapter 19 bacteria and viruses study guide flashcards quizlet - Apr 13 2023

web bacteria and viruses guided study workbook discover bacteria viruses parasites 2020 an introduction to good and bad bacteria the diseases they can cause the

a textbook of viruses bacteria and thalloid organisms - Sep 06 2022

web mar 10 2023 the oryx guide to natural history virusan illustrated guide to 101 incredible microbes viruses bacteria and fungi in the built environment designing healthy

bacteriaandvirusesguidedandstudyworkbook - Oct 07 2022

web mar 11 2020 this book consists of eight sections starting from viroids to prokaryotes eukaryotes general characteristics and structural details and classification of viruses

the more i seek you sheet music pdf - Nov 06 2022

web oct 30 2015 learn how to play this song on piano with this easy piano tutorial every worshiper needs to know this about the piano read this

free the more i seek you sheet music sheetmusicfox com - Aug 03 2022

web nov 8 2019 i made this piano cover and i added its song chords so you can easily play along if you want to request a worship song you may write a comment below

zach neese the more i seek you sheet music notes chords - Jul 02 2022

web sep 4 2020 verse d a the more i seek you bm g the more i find you d a the more i find you bm g the more i love you chorus d i wanna sit at your feet a drink from the

the more i seek you orchestration gateway worship kari jobe - Oct 25 2021

the more i seek you pdf scribd - Jan 08 2023

web the more i seek you chords audio transposable intro e b d c m a e b d c m a a verse e b d c m the more i seek you a the more i find you e b d c m the more

the more i seek you kari jobe piano cover and chords youtube - Dec 27 2021

zach neese the more i seek you free downloadable sheet - Dec 07 2022

web download zach neese the more i seek you sheet music and printable pdf music notes learn pop score for piano vocal guitar right hand melody by zach neese in

zach neese the more i seek you sheet music notes chords - Apr 30 2022

web chords lyrics editable piano vocal satb lead sheet sat piano vocal lead sheet orchestration with vocals rhythm acoustic guitar brass pack tpt tbn tba

the more i seek you boone open bible - Oct 05 2022

web the more i seek you b the more i find you c m the more i find you a the more i love you chorus e i wanna sit at your feet b drink from the cup in your hands c m lay

the more i seek you sheet music for voice piano or - May 12 2023

web the more i seek you zach neese ccli 4447991 title cloud music obc piano the more i seek you mus author admin created date 10 17 2012 4 49 06 pm

the more i seek you sheet music musicnotes com - Aug 15 2023

web gateway worship simplified guitar browse our 2 arrangements of the more i seek you sheet music is available for piano guitar lyrics and 2 others with 4 scorings and 1

[the more i seek you worship piano tutorials](#) - Feb 26 2022

the more i seek you piano tutorial and chords youtube - Mar 30 2022

the more i seek you chords pdf gateway worship kari jobe - Sep 23 2021

[the more i seek you simplified sheet music pdf](#) - Apr 11 2023

web composers music and or words by zach neese additional information reviews download printable piano vocal guitar pdf
music score description zach neese the more i

zach neese the more i seek you sheet music notes chords - Jan 28 2022

the more i seek you sheet music pdf gateway - Jun 13 2023

web the more i seek you sheet music for piano vocal and guitar by del amitri and justin currie format pdf and musicxml

gateway worship the more i seek you sheet music - Jul 14 2023

web it s completely free to download and try the listed sheet music but you have to delete the files after 24 hours of trial don
t forget if you like the piece of music you have just

the more i seek you chords melissa moore worship chords - Jun 01 2022

web chords lyrics editable piano vocal satb lead sheet sat piano vocal lead sheet orchestration with vocals rhythm acoustic
guitar brass pack tpt tbn tba

the more i seek you sheet music pdf christ for - Feb 09 2023

web nov 18 2011 zach neese the more i seek you sheet music download printable pop pdf score how to play on piano vocal
guitar right hand melody sku 86641

the more i seek you sheet music pdf praisevocals - Mar 10 2023

web seek and you will find choir piano organ by natalie sleeth for 2 part choir any combination accompaniment keyboard
main key d flat major sacred easy

the more i seek you fresh sheet music - Sep 04 2022

web download zach neese the more i seek you sheet music notes and printable pdf score is arranged for piano vocal guitar
chords right hand melody learn the more i seek

the more i seek you chords ultimate guitar - Nov 25 2021

