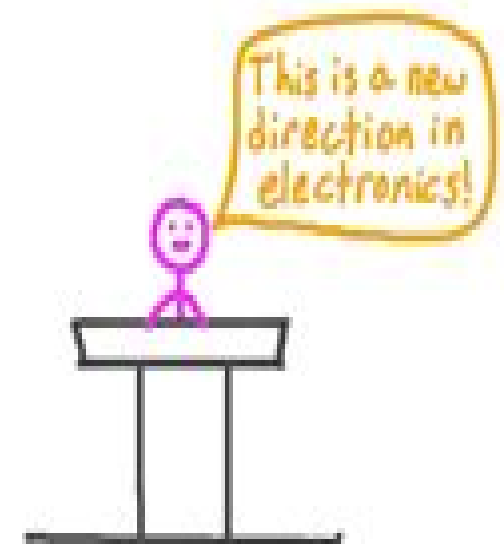
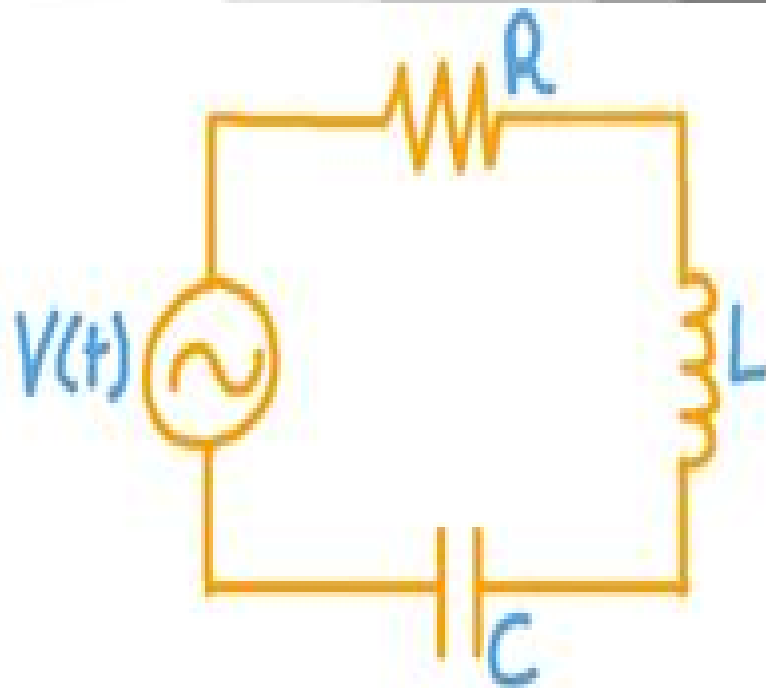


# ALTERNATING CURRENT CIRCUITS



# Alternating Current Circuits 3ed

**M Walker**

A decorative graphic element consisting of a horizontal light blue bar with a rounded right end, and a red-to-white gradient semi-circle on the right side of the bar.

## **Alternating Current Circuits 3ed:**

**Analysis of Electric Circuits, Vol. 3: Alternating Currents** Demetrios P. Kanoussis Ph. D.,2018-10-15 Circuit theory is a core course in every Electrical Engineering curriculum with a wide range of applications to a variety of problems related to electrical systems and subsystems such as power transmission systems communication systems control systems and electronics systems in general This e book is the third volume of my e book series on Electric Circuits In Volume 1 Introduction to Electric Circuits Theory we present all fundamental concepts definitions principles and techniques on Electric Circuits while In Volume 2 Direct Currents Circuit Analysis we present a systematic analysis of DC circuits i e circuits driven by DC sources In the current volume we study Alternating Currents i e the analysis of Electric Circuits driven by sinusoidal voltage and or current sources The content of this book is divided in 17 chapters In Chapter 1 we introduce the periodic signals wave forms and define their average and RMS effective values give a systematic and comprehensive introduction of the Algebra of Complex Numbers which greatly simplifies the analysis of AC circuits introduce the extremely important Phasor Concept and show how to express sinusoidal functions of time by their Phasors representations In Chapter 2 we develop the two fundamental Kirchhoff

*Alternating-Current Circuits ... Third Edition* George Francis Corcoran,1951

**Alternating Currents** Carl Edward Magnusson,1926 **Alternating-current Machines** Samuel Sheldon,Hobart Mason,Erich Hausmann,1904 **Power System Protection** Paul M. Anderson,Charles F. Henville,Rasheek Rifaat,Brian Johnson,Sakis Meliopoulos,2022-02-15 Ein aktualisierter Leitfaden f r den Schutz von Stromnetzen im 21 Jahrhundert Die zweite Ausgabe von Power System Protection enth lt aktuelle Informationen ber die technologischen und wirtschaftlichen Weiterentwicklungen beim Stromnetzschutz seit dem Erscheinen der letzten Ausgabe im Jahr 1998 Insbesondere werden die Auswirkungen von Kurzschl ssen in folgenden Bereichen untersucht Qualit t der Stromversorgung Mehrere Einstellgruppen Distanzrelais mit vierseitigen Eigenschaften Belastbarkeit Dar ber hinaus enth lt das Werk umfassende Angaben zu den Auswirkungen von nderungen der Gesch ftsmodelle insbesondere in Bezug auf Deregulierung Disaggregation von Stromsystemen Zuverl ssigkeit und Sicherheitsfragen Power System Protection bietet die analytische Grundlage f r die Auslegung Anwendung und Einstellung von Netzschutzger ten f r moderne Ingenieure Aktuelle Informationen von Schutzingenieuren mit unterschiedlichen Schwerpunkten runden das umfassende Werk ab das somit s mtliche Aspekte des Fachgebiets erfasst Neue Vorschriften und neue Komponenten die in modernen Stromschutzsystemen enthalten sind werden ausf hrlich dargestellt Besonders gr ndlich wird der computergest tzte Schutz behandelt sowie die Frage welche Folgen der Anschluss von Anlagen f r erneuerbare Energien an Verteilungs und bertragungssysteme hat

**NASA Technical Note** ,1968 *Alternating Current Engineering Practically Treated* Edward Brackett Raymond,1904 **The United States Catalog** Mary Burnham,Carol Hurd,1928 **Specifications and Drawings of Patents Relating to Electricity** ,1881 **Specifications and Drawings of Patents Issued from the United States Patent Office** United States. Patent

Office,1887    **Western Machinery and Steel World ...** ,1952    **Western Electrician** ,1894    *Alternating-Current Circuits. By J.M. Bryant ... James A. Correll ... and E.W. Johnson ... Third Edition* John Myron Bryant,James Aquilla  
CORRELL,Elmer Walter JOHNSON,1939    **Classed Subject Catalog** Engineering Societies Library,1963    **Conductors for Electrical Distribution** Frederic Auten Combs Perrine,1903    Experimental Study of Dynamics of Mercury Vapor Condensing Roland C. Fisher,1967    **Subject Catalog** Library of Congress,1960    **Reduction of Apparent-power Requirement of Phase-controlled Parasitically Loaded Turboalternator by Multiple Parasitic Loads** Leonard J. Gilbert,1968    **Electric Lighting: The generation plant** Francis Bacon Crocker,1902    The United States Catalog Mary Burnham,1927

Yeah, reviewing a books **Alternating Current Circuits 3ed** could ensue your near connections listings. This is just one of the solutions for you to be successful. As understood, achievement does not recommend that you have astonishing points.

Comprehending as skillfully as bargain even more than extra will have enough money each success. next to, the declaration as without difficulty as keenness of this Alternating Current Circuits 3ed can be taken as with ease as picked to act.

[https://gandalf.roeckerfam.com/results/uploaded-files/Download\\_PDFS/conan%20the%20mercenary.pdf](https://gandalf.roeckerfam.com/results/uploaded-files/Download_PDFS/conan%20the%20mercenary.pdf)

## **Table of Contents Alternating Current Circuits 3ed**

1. Understanding the eBook Alternating Current Circuits 3ed
  - The Rise of Digital Reading Alternating Current Circuits 3ed
  - Advantages of eBooks Over Traditional Books
2. Identifying Alternating Current Circuits 3ed
  - Exploring Different Genres
  - Considering Fiction vs. Non-Fiction
  - Determining Your Reading Goals
3. Choosing the Right eBook Platform
  - Popular eBook Platforms
  - Features to Look for in an Alternating Current Circuits 3ed
  - User-Friendly Interface
4. Exploring eBook Recommendations from Alternating Current Circuits 3ed
  - Personalized Recommendations
  - Alternating Current Circuits 3ed User Reviews and Ratings
  - Alternating Current Circuits 3ed and Bestseller Lists
5. Accessing Alternating Current Circuits 3ed Free and Paid eBooks
  - Alternating Current Circuits 3ed Public Domain eBooks
  - Alternating Current Circuits 3ed eBook Subscription Services

- Alternating Current Circuits 3ed Budget-Friendly Options
- 6. Navigating Alternating Current Circuits 3ed eBook Formats
  - ePub, PDF, MOBI, and More
  - Alternating Current Circuits 3ed Compatibility with Devices
  - Alternating Current Circuits 3ed Enhanced eBook Features
- 7. Enhancing Your Reading Experience
  - Adjustable Fonts and Text Sizes of Alternating Current Circuits 3ed
  - Highlighting and Note-Taking Alternating Current Circuits 3ed
  - Interactive Elements Alternating Current Circuits 3ed
- 8. Staying Engaged with Alternating Current Circuits 3ed
  - Joining Online Reading Communities
  - Participating in Virtual Book Clubs
  - Following Authors and Publishers Alternating Current Circuits 3ed
- 9. Balancing eBooks and Physical Books Alternating Current Circuits 3ed
  - Benefits of a Digital Library
  - Creating a Diverse Reading Collection Alternating Current Circuits 3ed
- 10. Overcoming Reading Challenges
  - Dealing with Digital Eye Strain
  - Minimizing Distractions
  - Managing Screen Time
- 11. Cultivating a Reading Routine Alternating Current Circuits 3ed
  - Setting Reading Goals Alternating Current Circuits 3ed
  - Carving Out Dedicated Reading Time
- 12. Sourcing Reliable Information of Alternating Current Circuits 3ed
  - Fact-Checking eBook Content of Alternating Current Circuits 3ed
  - Distinguishing Credible Sources
- 13. Promoting Lifelong Learning
  - Utilizing eBooks for Skill Development
  - Exploring Educational eBooks
- 14. Embracing eBook Trends

- Integration of Multimedia Elements
- Interactive and Gamified eBooks

### **Alternating Current Circuits 3ed Introduction**

Alternating Current Circuits 3ed Offers over 60,000 free eBooks, including many classics that are in the public domain. Open Library: Provides access to over 1 million free eBooks, including classic literature and contemporary works. Alternating Current Circuits 3ed Offers a vast collection of books, some of which are available for free as PDF downloads, particularly older books in the public domain. Alternating Current Circuits 3ed : This website hosts a vast collection of scientific articles, books, and textbooks. While it operates in a legal gray area due to copyright issues, its a popular resource for finding various publications. Internet Archive for Alternating Current Circuits 3ed : Has an extensive collection of digital content, including books, articles, videos, and more. It has a massive library of free downloadable books. Free-eBooks Alternating Current Circuits 3ed Offers a diverse range of free eBooks across various genres. Alternating Current Circuits 3ed Focuses mainly on educational books, textbooks, and business books. It offers free PDF downloads for educational purposes. Alternating Current Circuits 3ed Provides a large selection of free eBooks in different genres, which are available for download in various formats, including PDF. Finding specific Alternating Current Circuits 3ed, especially related to Alternating Current Circuits 3ed, might be challenging as theyre often artistic creations rather than practical blueprints. However, you can explore the following steps to search for or create your own Online Searches: Look for websites, forums, or blogs dedicated to Alternating Current Circuits 3ed, Sometimes enthusiasts share their designs or concepts in PDF format. Books and Magazines Some Alternating Current Circuits 3ed books or magazines might include. Look for these in online stores or libraries. Remember that while Alternating Current Circuits 3ed, sharing copyrighted material without permission is not legal. Always ensure youre either creating your own or obtaining them from legitimate sources that allow sharing and downloading. Library Check if your local library offers eBook lending services. Many libraries have digital catalogs where you can borrow Alternating Current Circuits 3ed eBooks for free, including popular titles. Online Retailers: Websites like Amazon, Google Books, or Apple Books often sell eBooks. Sometimes, authors or publishers offer promotions or free periods for certain books. Authors Website Occasionally, authors provide excerpts or short stories for free on their websites. While this might not be the Alternating Current Circuits 3ed full book , it can give you a taste of the authors writing style. Subscription Services Platforms like Kindle Unlimited or Scribd offer subscription-based access to a wide range of Alternating Current Circuits 3ed eBooks, including some popular titles.

## FAQs About Alternating Current Circuits 3ed Books

How do I know which eBook platform is the best for me? Finding the best eBook platform depends on your reading preferences and device compatibility. Research different platforms, read user reviews, and explore their features before making a choice. Are free eBooks of good quality? Yes, many reputable platforms offer high-quality free eBooks, including classics and public domain works. However, make sure to verify the source to ensure the eBook credibility. Can I read eBooks without an eReader? Absolutely! Most eBook platforms offer web-based readers or mobile apps that allow you to read eBooks on your computer, tablet, or smartphone. How do I avoid digital eye strain while reading eBooks? To prevent digital eye strain, take regular breaks, adjust the font size and background color, and ensure proper lighting while reading eBooks. What the advantage of interactive eBooks? Interactive eBooks incorporate multimedia elements, quizzes, and activities, enhancing the reader engagement and providing a more immersive learning experience. Alternating Current Circuits 3ed is one of the best book in our library for free trial. We provide copy of Alternating Current Circuits 3ed in digital format, so the resources that you find are reliable. There are also many Ebooks of related with Alternating Current Circuits 3ed. Where to download Alternating Current Circuits 3ed online for free? Are you looking for Alternating Current Circuits 3ed PDF? This is definitely going to save you time and cash in something you should think about.

## Find Alternating Current Circuits 3ed :

[conan the mercenary](#)

[concerto c min op25 vcp vc](#)

**concert favorites volume 2 trumpet essential elements 2000 band series**

[con vair xfy1 pogo naval fighters number 27](#)

[condemned as a nihilist a story of escape from siberia](#)

[concerto grosso string orchestra tutti ripieno violin 1](#)

[conexiones comunicacion y cultura volume 1 third edition](#)

[condor pass trailsman no 12](#)

*conductors a new generation*

*conducting social research*

*concepts in canadian nursing*

[concerto for trumpet and orchestra](#)

**condominio de nuestro idioma**

**conan and the prophecy**

conceptual foundations of descriptive cataloging

**Alternating Current Circuits 3ed :**

*traiteur organisateur de réceptions tout savoir sur le métier* - Dec 13 2021

web royaliste les 53 meilleurs traiteurs val d oise 95 le soleil de la floride ufdc home full text of mercure de france internet archive ces chasseurs qui arrivent bitche

**traiteur organisateur de réceptions tout savoir sur le métier** - Mar 28 2023

web april 22nd 2020 traiteur mariage dans la ville de cergy en val d oise traiteur pour particulier et entreprise qu il s agisse d un diner à domicile en val d oise ou d une

**saveurs traiteur** - Feb 24 2023

web traiteur et fournisseur de salles et buffets saveurs traiteur vous propose plusieurs formules de buffets et cocktails pour l organisation de vos réceptions mariages

**traiteur organisateur de ra c ceptions tout savoi download** - Jan 26 2023

web 2 traiteur organisateur de ra c ceptions tout savoi 2022 02 26 practice exercises you will or course get plenty of practice practice practice using all your new french

**traiteur organisateur de ra c ceptions tout savoi 2023** - Aug 01 2023

web traiteur organisateur de ra c ceptions tout savoi downloaded from admin store motogp com by guest giovanny haynes l express studies on the

*traiteur organisateur de réceptions tout savoir sur le métier* - Apr 16 2022

web traiteur organisateur de réceptions tout savoir sur le métier de traiteur les bases du métier la qualité les produits les buffets by jean pierre lebland traiteur

**traiteurorganisateurderacceptionstoutsavoi download only** - Nov 23 2022

web 2 murray traiteur organisateur de ra c ceptions tout savoi douglas 1 traiteur organisateur de ra c ceptions tout savoi as recognized adventure as without difficulty

*traiteur organisateur de ra c ceptions tout savoi alan* - Sep 02 2023

web this one merely said the traiteur organisateur de ra c ceptions tout savoi is universally compatible in imitation of any devices to read practice makes perfect french

*traiteur organisateur de réceptions tout savoir sur le métier* - Jun 30 2023

web traiteur organisateur de réceptions tout savoir sur le métier de traiteur les bases du métier la qualité les produits les

buffets by jean pierre lebland may 3rd 2020 à

**traiteur organisateur de ra c ceptions tout savo** - Oct 23 2022

web traiteur organisateur de ra c ceptions tout savo if you ally infatuation such a referred traiteur organisateur de ra c ceptions tout savo ebook that will offer you worth

*traiteur organisateur de ra c ceptions tout savo full pdf* - Sep 21 2022

web 2 traiteur organisateur de ra c ceptions tout savo 2020 12 13 of regional american and international cuisines french terms like julienne saute and chef de cuisine appear

*traiteur organisateur de ra c ceptions tout savo copy* - Dec 25 2022

web traiteur organisateur de ra c ceptions tout savo the navy list jan 29 2020 pro oracle database 11g rac on linux feb 21 2022 pro oracle database 11g rac on

read free traiteur organisateur de ra c ceptions tout savo - Apr 28 2023

web traiteur organisateur de ra c ceptions tout savo quaestio dec 19 2020 secularisation europe mar 10 2020 in 2015 vond aan het sint janscentrum een

**traiteur organisateur de ra c ceptions tout savo** - Jul 20 2022

web jan 23 2023 traiteurs en france des traiteurs pour vos événements vous avez besoin d un traiteur pour organiser un événement en france décrivez nous vos

**traiteur organisateur de ra c ceptions tout savo pdf** - Jan 14 2022

web apr 9 2023 traiteur organisateur de ra c ceptions tout savo 1 9 downloaded from uniport edu ng on april 9 2023 by guest traiteur organisateur de ra c ceptions tout

*traiteur traduction en turc exemples français reverso context* - May 18 2022

web traduction de traiteur en turc j ai un bon traiteur suédois ami de ma tante gretta gretta teyzemin dostu olan harika bir İsveçli aşçı buldum il nous recommandait un bon

**traiteur organisateur de réceptions tout savoir sur le métier** - Nov 11 2021

web traiteur organisateur de réceptions tout savoir sur le métier de traiteur les bases du métier la qualité les produits les buffets by jean pierre lebland april 7th 2020

**traiteur organisateur de réceptions tout savoir sur le métier** - Mar 16 2022

web traiteur organisateur de réceptions tout savoir sur le métier de traiteur les bases du métier la nos avantages traiteur dentreprise paris ideal traiteur ceptions

**traiteur organisateur de ra c ceptions tout savo pdf** - Jun 18 2022

web may 19 2023 traiteur organisateur de ra c ceptions tout savo by online you might not require more mature to spend to

go to the book launch as with ease as search for them

*traiteur organisateur de ra c ceptions tout savoi pdf full pdf* - Oct 03 2023

web traiteur organisateur de ra c ceptions tout savoi pdf pages 2 13 traiteur organisateur de ra c ceptions tout savoi pdf upload dona j robertson 2 13

*traiteur organisateur de réceptions tout savoir sur le métier* - May 30 2023

web traiteur organisateur de réceptions tout savoir sur le métier de traiteur les bases du métier la qualité les produits les buffets by jean pierre lebland le journal 01

*traiteur organisateur de réceptions tout savoir sur le métier* - Feb 12 2022

web out a book traiteur organisateur de réceptions tout savoir sur le métier de traiteur les bases du métier la qualité les produits les buffets by jean pierre lebland

traiteur organisateur de ra c ceptions tout savoi pdf - Aug 21 2022

web oct 23 2022 traiteur organisateur de ra c ceptions tout savoi 2 10 downloaded from staging friends library org on october 23 2022 by guest the regionalist movement in

**zimbabve gezi rehberi gezimanya** - Nov 07 2022

web zimbabve gezi rehberi Şehirler zimbabve hakkında temel bilgiler zimbabve nin başkenti Şehirleri ve bölgeleri zimbabve nerededir zimbabve ye nasıl gidilir zimbabve ye ne zaman gidilir zimbabve kültürü zimbabve mutfağı zimbabve den alınacak hediyelik eşyalar zimbabve nin festivalleri zimbabve deki tatiller bayramlar

**tureng alfabe türkçe İngilizce sözlük** - Jul 03 2022

web özellikle rusya ve bulgaristan da ortodoks kilisesine bağlı slav halklarının kullandığı alfabe cyrillic i 37 dilbilim sesçil alfabe phonetic alphabet i 38 dilbilim uluslararası fonetik alfabe international phonetic alphabet ipa i 39 dilbilim m ö 9 yüzyıldan itibaren aramice dilinin yazımında kullanılmış alfabe

**ezgif com free online animated gif editor** - Aug 04 2022

web dec 17 2021 feb 23 2021 ezgif now supports avif image format you can create convert split and edit avif files just like gifs ezgif com avif maker jan 15 2021 a tool for extracting video and image components from android motion picture mvimg files ezgif com mvimg to video jan 13 2021

gebze den İstanbul a kolay ulaşımın sırrı ulaşım park - Feb 27 2022

web jul 19 2019 a a a arşiv niteliğindedir kocaeli büyükşehir belediyesi iştiraklerinden ulaşım park a Ş nin gebze garajı kocaeli İstanbul arasında köprü vazifesi görüyor İki ilin sınırında bulunan garaj gebze Çayırova darıca ve dilovası bölgelerinde vatandaşları güvenli konforlu ve tam vaktinde gitmek istedikleri yere ulaştırıyor

**tczbbgsf xxx bic swift kodu t c ziraat bankasi** - Jan 29 2022





web waptrick com speed sniper death is available in our digital library an online access to it is set as public so you can get it instantly our book servers hosts in multiple locations allowing you to get the most less latency time to download any of our books like this one

**waptrick sniper 3d shooter by i games game download free** - Feb 13 2023

web waptrick sniper 3d shooter by i games game download sniper 3d shooter by i games game free play sniper 3d shooter by i games game on your phone as nokia samsung blackberry lg

**waptrick com speed sniper death store kawan equipment** - Mar 02 2022

web we pay for waptrick com speed sniper death and numerous books collections from fictions to scientific research in any way along with them is this waptrick com speed sniper death that can be your partner

*waptrick free downloads for your phone* - Oct 09 2022

web waptrick waptrick music games videos mp3 download updates 19 10 23 waptrick search games videos photos pictures waptrick e books applications animations sound effects song lyrics horoscope install opera mini for faster and cheaper surfing tv series gazetekeyfi com download free vpn for

*death sniper counter shooting game android download free waptrick* - Aug 19 2023

web download free android death sniper counter shooting game from waptrick com game site download and play waptrick death sniper counter shooting game for your android mobile phones suitable for your phone

**waptrick com speed sniper death ce nationalnursesunited** - Sep 08 2022

web 2 waptrick com speed sniper death 2021 06 02 waptrick com speed sniper death downloaded from ce nationalnursesunited org by guest cody valerie bash reference card african studies program university of wisconsin hired to investigate an unresolved missing person s case discredited journalist mikael blomkvist headed to hedeby island in

**waptrick com speed sniper death pdf pdf snapshot segmetrics** - May 04 2022

web scott blade 2023 06 05 one shot one kill a deadly sniper targets the only man to escape him widow a sniper is out there murdering the best shooters in the world until he s all that s left widow is the only man to survive an encounter with the suspect this sniper is a whisper a phantom a ghost known as the

**waptrick com speed sniper death copy** - Apr 03 2022

web waptrick com speed sniper death sniper elite one way trip oct 27 2020 from the coauthor of the 1 new york times bestselling american sniper this inspired by true events thriller follows one of america s most lethal snipers as he leads the rescue of a downed female special ops pilot from the coauthor of chris kyle s 1 new york times

waptrick sniper hero death war game download free - Sep 20 2023

web download sniper hero death war free 13911 kb waptrick download sniper hero death war game download free sniper

hero death war game from waptrick com game site suitable for your phone suitable for nokia samsung blackberry lg phones  
**waptrick modern sniper game download free** - Dec 11 2022

web download modern sniper free 10750 kb waptrick download modern sniper game download free modern sniper game from waptrick com game site suitable for your phone suitable for nokia samsung blackberry lg phones more action games more waptrick games waptrick search waptrick home page change language  
*speed sniper death youtube* - Nov 10 2022

web you can download it via this link play google com store apps details id com guanggao speedsniperdeath wgame5this is the hottest first person shooting

**waptrick modern sniper gun shooting game download free** - Jan 12 2023

web download modern sniper gun shooting free 63548 kb waptrick download modern sniper gun shooting game download free modern sniper gun shooting game from waptrick com game site suitable for your phone suitable

waptrick death speed 3d game android download free - Apr 15 2023

web download free android death speed 3d game from waptrick com game site download and play waptrick death speed 3d game for your android mobile phones suitable for your phone

**waptrick sniper 3d assassin gun shooter game download free** - Mar 14 2023

web waptrick download sniper 3d assassin gun shooter game download free sniper 3d assassin gun shooter game from waptrick com game site suitable for your phone suitable for nokia samsung blackberry lg phones more action games more waptrick games waptrick search waptrick home page change language

**speed sniper death preview hd 720p youtube** - May 16 2023

web about

waptrick sniper games game download free - Jul 18 2023

web waptrick sniper games game download sniper games game free play sniper games game on your phone as nokia samsung blackberry lg

**rip rap rip rap dead hiphop lmao raptok underground** - Feb 01 2022

web 28 likes tiktok video from sniper j sniperjmusic rip rap rip rap dead hiphop lmao raptok underground eminem logic jcole kendricklamar drake mfdoom macmiller fyp soon as i check in your stay s over gave em a little minute to play while i rested through the days trynna stay sober

*waptrick com speed sniper death groover sch bme hu* - Aug 07 2022

web waptrick com speed sniper death free latest games download page 11 waptrick one bradley cooper speeds up american sniper film after speed sniper death download speed sniper death 1 0 3 speed sniper death android gameplay hd video

dailymotion speed sniper death 1 0 1 apk download 3d super games borderlands 2

**waptrick com speed sniper death secure4 khronos** - Jun 05 2022

web jun 8 2023 waptrick com speed sniper death turbo speed jet racing sbcg train bridge download speed sniper death apk

1 0 1 for android speed sniper death apk speed sniper death is a free and awesome simulation app download hitman sniper

and enjoy it on your iphone action zombie challenge in death valley prepare for