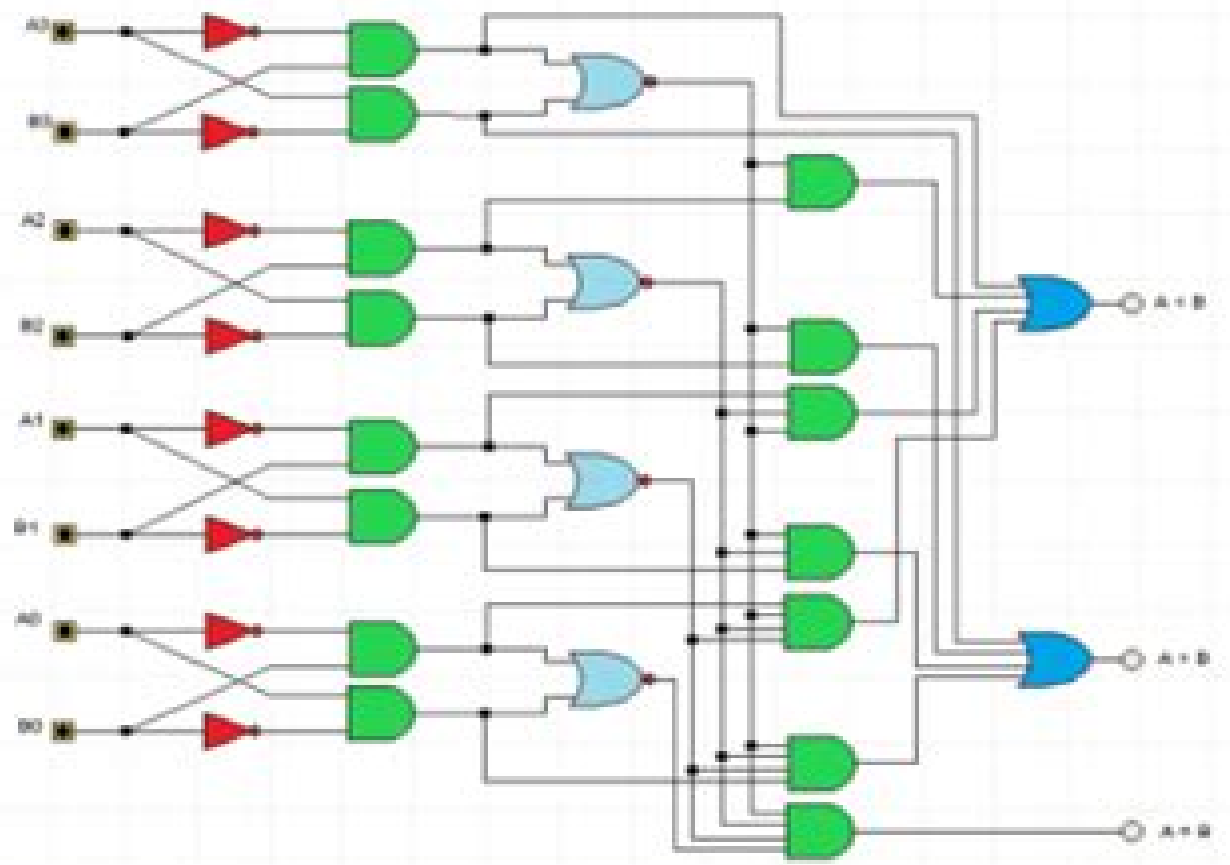


File [Icons]	Operations [Icons]	Basic Gates [Icons]	Derived Gates [Icons]	Flip Flops [Icons]	IO Parts I [Icons]	Simulation [Icons]	Scope [Icons]	IO II [Icons]	Power [Icons]
------------------------	------------------------------	-------------------------------	---------------------------------	------------------------------	------------------------------	------------------------------	-------------------------	-------------------------	-------------------------

Major Elements

4 Bit Magnitude Comparator



Digital Logic And State Machine Design 2nd

Emilie Sanchez

A decorative graphic element consisting of a light blue horizontal bar with a rounded right end, and a red-to-white gradient semi-circle positioned behind the bar's end.

Digital Logic And State Machine Design 2nd:

Unveiling the Magic of Words: A Overview of "**Digital Logic And State Machine Design 2nd**"

In a global defined by information and interconnectivity, the enchanting power of words has acquired unparalleled significance. Their ability to kindle emotions, provoke contemplation, and ignite transformative change is actually awe-inspiring. Enter the realm of "**Digital Logic And State Machine Design 2nd**," a mesmerizing literary masterpiece penned with a distinguished author, guiding readers on a profound journey to unravel the secrets and potential hidden within every word. In this critique, we shall delve into the book is central themes, examine its distinctive writing style, and assess its profound affect the souls of its readers.

<https://gandalf.roeckerfam.com/About/detail/Documents/bush%20on%20the%20couch%20inside%20the%20mind%20of%20the%20president.pdf>

Table of Contents Digital Logic And State Machine Design 2nd

1. Understanding the eBook Digital Logic And State Machine Design 2nd
 - The Rise of Digital Reading Digital Logic And State Machine Design 2nd
 - Advantages of eBooks Over Traditional Books
2. Identifying Digital Logic And State Machine Design 2nd
 - Exploring Different Genres
 - Considering Fiction vs. Non-Fiction
 - Determining Your Reading Goals
3. Choosing the Right eBook Platform
 - Popular eBook Platforms
 - Features to Look for in an Digital Logic And State Machine Design 2nd
 - User-Friendly Interface
4. Exploring eBook Recommendations from Digital Logic And State Machine Design 2nd
 - Personalized Recommendations
 - Digital Logic And State Machine Design 2nd User Reviews and Ratings

- Digital Logic And State Machine Design 2nd and Bestseller Lists
- 5. Accessing Digital Logic And State Machine Design 2nd Free and Paid eBooks
 - Digital Logic And State Machine Design 2nd Public Domain eBooks
 - Digital Logic And State Machine Design 2nd eBook Subscription Services
 - Digital Logic And State Machine Design 2nd Budget-Friendly Options
- 6. Navigating Digital Logic And State Machine Design 2nd eBook Formats
 - ePub, PDF, MOBI, and More
 - Digital Logic And State Machine Design 2nd Compatibility with Devices
 - Digital Logic And State Machine Design 2nd Enhanced eBook Features
- 7. Enhancing Your Reading Experience
 - Adjustable Fonts and Text Sizes of Digital Logic And State Machine Design 2nd
 - Highlighting and Note-Taking Digital Logic And State Machine Design 2nd
 - Interactive Elements Digital Logic And State Machine Design 2nd
- 8. Staying Engaged with Digital Logic And State Machine Design 2nd
 - Joining Online Reading Communities
 - Participating in Virtual Book Clubs
 - Following Authors and Publishers Digital Logic And State Machine Design 2nd
- 9. Balancing eBooks and Physical Books Digital Logic And State Machine Design 2nd
 - Benefits of a Digital Library
 - Creating a Diverse Reading Collection Digital Logic And State Machine Design 2nd
- 10. Overcoming Reading Challenges
 - Dealing with Digital Eye Strain
 - Minimizing Distractions
 - Managing Screen Time
- 11. Cultivating a Reading Routine Digital Logic And State Machine Design 2nd
 - Setting Reading Goals Digital Logic And State Machine Design 2nd
 - Carving Out Dedicated Reading Time
- 12. Sourcing Reliable Information of Digital Logic And State Machine Design 2nd
 - Fact-Checking eBook Content of Digital Logic And State Machine Design 2nd
 - Distinguishing Credible Sources

13. Promoting Lifelong Learning
 - Utilizing eBooks for Skill Development
 - Exploring Educational eBooks
14. Embracing eBook Trends
 - Integration of Multimedia Elements
 - Interactive and Gamified eBooks

Digital Logic And State Machine Design 2nd Introduction

In this digital age, the convenience of accessing information at our fingertips has become a necessity. Whether its research papers, eBooks, or user manuals, PDF files have become the preferred format for sharing and reading documents. However, the cost associated with purchasing PDF files can sometimes be a barrier for many individuals and organizations. Thankfully, there are numerous websites and platforms that allow users to download free PDF files legally. In this article, we will explore some of the best platforms to download free PDFs. One of the most popular platforms to download free PDF files is Project Gutenberg. This online library offers over 60,000 free eBooks that are in the public domain. From classic literature to historical documents, Project Gutenberg provides a wide range of PDF files that can be downloaded and enjoyed on various devices. The website is user-friendly and allows users to search for specific titles or browse through different categories. Another reliable platform for downloading Digital Logic And State Machine Design 2nd free PDF files is Open Library. With its vast collection of over 1 million eBooks, Open Library has something for every reader. The website offers a seamless experience by providing options to borrow or download PDF files. Users simply need to create a free account to access this treasure trove of knowledge. Open Library also allows users to contribute by uploading and sharing their own PDF files, making it a collaborative platform for book enthusiasts. For those interested in academic resources, there are websites dedicated to providing free PDFs of research papers and scientific articles. One such website is Academia.edu, which allows researchers and scholars to share their work with a global audience. Users can download PDF files of research papers, theses, and dissertations covering a wide range of subjects. Academia.edu also provides a platform for discussions and networking within the academic community. When it comes to downloading Digital Logic And State Machine Design 2nd free PDF files of magazines, brochures, and catalogs, Issuu is a popular choice. This digital publishing platform hosts a vast collection of publications from around the world. Users can search for specific titles or explore various categories and genres. Issuu offers a seamless reading experience with its user-friendly interface and allows users to download PDF files for offline reading. Apart from dedicated platforms, search engines also play a crucial role in finding free PDF files. Google, for instance, has an advanced search feature that allows users to filter results by file type. By specifying the file type as "PDF,"

users can find websites that offer free PDF downloads on a specific topic. While downloading Digital Logic And State Machine Design 2nd free PDF files is convenient, it's important to note that copyright laws must be respected. Always ensure that the PDF files you download are legally available for free. Many authors and publishers voluntarily provide free PDF versions of their work, but it's essential to be cautious and verify the authenticity of the source before downloading Digital Logic And State Machine Design 2nd. In conclusion, the internet offers numerous platforms and websites that allow users to download free PDF files legally. Whether it's classic literature, research papers, or magazines, there is something for everyone. The platforms mentioned in this article, such as Project Gutenberg, Open Library, Academia.edu, and Issuu, provide access to a vast collection of PDF files. However, users should always be cautious and verify the legality of the source before downloading Digital Logic And State Machine Design 2nd any PDF files. With these platforms, the world of PDF downloads is just a click away.

FAQs About Digital Logic And State Machine Design 2nd Books

How do I know which eBook platform is the best for me? Finding the best eBook platform depends on your reading preferences and device compatibility. Research different platforms, read user reviews, and explore their features before making a choice. Are free eBooks of good quality? Yes, many reputable platforms offer high-quality free eBooks, including classics and public domain works. However, make sure to verify the source to ensure the eBook credibility. Can I read eBooks without an eReader? Absolutely! Most eBook platforms offer webbased readers or mobile apps that allow you to read eBooks on your computer, tablet, or smartphone. How do I avoid digital eye strain while reading eBooks? To prevent digital eye strain, take regular breaks, adjust the font size and background color, and ensure proper lighting while reading eBooks. What the advantage of interactive eBooks? Interactive eBooks incorporate multimedia elements, quizzes, and activities, enhancing the reader engagement and providing a more immersive learning experience. Digital Logic And State Machine Design 2nd is one of the best book in our library for free trial. We provide copy of Digital Logic And State Machine Design 2nd in digital format, so the resources that you find are reliable. There are also many Ebooks of related with Digital Logic And State Machine Design 2nd. Where to download Digital Logic And State Machine Design 2nd online for free? Are you looking for Digital Logic And State Machine Design 2nd PDF? This is definitely going to save you time and cash in something you should think about. If you trying to find then search around for online. Without a doubt there are numerous these available and many of them have the freedom. However without doubt you receive whatever you purchase. An alternate way to get ideas is always to check another Digital Logic And State Machine Design 2nd. This method for see exactly what may be included and adopt these ideas to your book. This site will almost certainly help you save time and effort, money and stress. If

you are looking for free books then you really should consider finding to assist you try this. Several of Digital Logic And State Machine Design 2nd are for sale to free while some are payable. If you arent sure if the books you would like to download works with for usage along with your computer, it is possible to download free trials. The free guides make it easy for someone to free access online library for download books to your device. You can get free download on free trial for lots of books categories. Our library is the biggest of these that have literally hundreds of thousands of different products categories represented. You will also see that there are specific sites catered to different product types or categories, brands or niches related with Digital Logic And State Machine Design 2nd. So depending on what exactly you are searching, you will be able to choose e books to suit your own need. Need to access completely for Campbell Biology Seventh Edition book? Access Ebook without any digging. And by having access to our ebook online or by storing it on your computer, you have convenient answers with Digital Logic And State Machine Design 2nd To get started finding Digital Logic And State Machine Design 2nd, you are right to find our website which has a comprehensive collection of books online. Our library is the biggest of these that have literally hundreds of thousands of different products represented. You will also see that there are specific sites catered to different categories or niches related with Digital Logic And State Machine Design 2nd So depending on what exactly you are searching, you will be able to choose ebook to suit your own need. Thank you for reading Digital Logic And State Machine Design 2nd. Maybe you have knowledge that, people have search numerous times for their favorite readings like this Digital Logic And State Machine Design 2nd, but end up in harmful downloads. Rather than reading a good book with a cup of coffee in the afternoon, instead they juggled with some harmful bugs inside their laptop. Digital Logic And State Machine Design 2nd is available in our book collection an online access to it is set as public so you can download it instantly. Our digital library spans in multiple locations, allowing you to get the most less latency time to download any of our books like this one. Merely said, Digital Logic And State Machine Design 2nd is universally compatible with any devices to read.

Find Digital Logic And State Machine Design 2nd :

bush on the couch inside the mind of the president

business and personal finance kid's kits money talk student edition set of 25

business analyst guidebook

bunsha company division

[built to last cd](#)

business and the state in developing countries

~~burglars cant be choosers~~

bultnpg/100 wedding col. 3 14

bureaucratic encounters

built to last a lifetime spanish one

~~burnt sienna mikes place every monday~~

bureaucratic discretion law and policy in federal regulatory agencies pergamon government & politics series

bullies and victims

buildup boys

~~bulimia nervosa the secret cycle of bingeing and purging~~

Digital Logic And State Machine Design 2nd :

The Ruby Knight (Book Two of the Elenium): David Eddings The Elenium series, which began in Diamond Throne, continues against a background of magic and adventure. Ehlana, Queen of Elenia, had been poisoned. The Ruby Knight (The Elenium, #2) by David Eddings The Ruby Knight is the second book in the Elenium and follows Sparhawk on the quest to obtain the magical artefact known as the Bhelliom in order to save ... The Ruby Knight (Book Two of The Elenium): Eddings, David Sparhawk, Pandion Knight and Queen's Champion, returns home to find young Queen Ehlana in terrible jeopardy, and soon embarks on a quest to find the one ... The Elenium Book Series - ThriftBooks by David Eddings includes books The Diamond Throne, The Ruby Knight, The Sapphire Rose, and several more. See the complete The Elenium series book list in ... The Ruby Knight (Book Two Of The Elenium) The Ruby Knight (Book Two Of The Elenium). By: David Eddings. Price: \$9.95. Quantity: 1 available. THE RUBY KNIGHT Book Two Of The Elenium THE RUBY KNIGHT Book Two Of The Elenium. New York: Ballantine Books / Del Rey, 1990. First Edition; First Printing. Hardcover. Item #50179. ISBN: 0345370430 The Elenium - Wikipedia The Elenium is a series of fantasy novels by American writer David Eddings. The series consists of three volumes: The Diamond Throne, The Ruby Knight, ... The Ruby Knight. Book Two of The Elenium. - AbeBooks AbeBooks.com: The Ruby Knight. Book Two of The Elenium.: ISBN 0-345-37043-0 Black boards, black cloth spine with red lettering, 406 pages, clean, tight, ... The Ruby Knight: Book Two of The Elenium | David Eddings The Ruby Knight: Book Two of The Elenium. New York: A Del Rey Book Ballantine Books, 1991. First Edition. Hardcover. Item #10097. ISBN: 0345370430 The Ruby Knight (Book Two of the Elenium) - Moon Dragon The Elenium series, which began in Diamond Throne, continues against a background of magic and adventure. Ehlana, Queen of Elenia, had been poisoned. USER MANUAL - SRV02 Rotary Servo Base Unit The Quanser SRV02 rotary servo plant, pictured in Figure 1.1, consists of a DC motor that is encased in a solid aluminum frame and equipped with a planetary ... SRV02 Position Control using QuaRC This laboratory guide contains pre-lab and in-lab exercises demonstrating how to design and implement a position controller on the Quanser SRV02

rotary ... Quanser SRV02 Workbook Jan 1, 2019 — Hakan Gurocak, Washington State University Vancouver, USA, for rewriting this manual to include embedded outcomes assessment. SRV02 Workbook - ... SRV02 User Manual SRV02 User Manual. 1. Presentation. 1.1. Description. The Quanser SRV02 rotary servo plant, pictured in Figure 1, consists of a DC motor that is encased in a. Quanser SRV02 Workbook Jan 1, 2019 — SRV02 Manual (Student).pdf. This laboratory guide contains pre-lab questions and lab experiments demonstrating how to model the Quanser. SRV02 ... SRV02 User Manual This module is designed to mount to a Quanser rotary servo plant (SRV02). The sensor shaft is aligned with the motor shaft. One end of a rigid link is mounted ... SRV02_Rotary Pendulum_User Manual.sxw The following table describes the typical setup using the complete Quanser solution. It is assumed that the ROTPEN is being used along with an SRV02, UPM and Q8 ... SRV02 Gyroscope User Manual The Quanser SRV02 and gyroscope system provides a great platform to study gyroscope properties along with control experiments that resemble real-life ... Rotary Servo Base Unit The Rotary Servo Base Unit is the fundamental element of the Quanser Rotary Control family. It is ideally suited to introduce basic control concepts and ... Control Systems Lab Solutions Quansers lab equipment for control systems are precise, robust, open architecture solutions for a wide range of teaching and research applications. cs473/Algorithm Design-Solutions.pdf at master Contribute to peach07up/cs473 development by creating an account on GitHub. mathiasuy/Soluciones-Klenberg: Algorithm Design ... Algorithm Design (Kleinberg Tardos 2005) - Solutions - GitHub - mathiasuy/Soluciones-Klenberg: Algorithm Design (Kleinberg Tardos 2005) - Solutions. Chapter 7 Problem 16E Solution | Algorithm Design 1st ... Access Algorithm Design 1st Edition Chapter 7 Problem 16E solution now. Our solutions ... Tardos,Jon Kleinberg Rent | Buy. This is an alternate ISBN. View the ... Jon Kleinberg, Éva Tardos - Algorithm Design Solution ... Jon Kleinberg, Éva Tardos - Algorithm Design Solution Manual. Course: Analysis Of ... 2 HW for ZJFY - Homework for Language. English (US). United States. Company. Solved: Chapter 7 Problem 31E Solution - Algorithm Design Interns of the WebExodus think that the back room has less space given to high end servers than it does to empty boxes of computer equipment. Some people spend ... Algorithm Design Solutions Manual - DOKUMEN.PUB Hint: consider nodes with excess and try to send the excess back to s using only edges that the flow came on. 7. NP and Computational Intractability 1. You want ... CSE 521: Design and Analysis of Algorithms Assignment #5 KT refers to Algorithm Design, First Edition, by Kleinberg and Tardos. "Give ... KT, Chapter 7, Problem 8. 2. KT, Chapter 7, Problem 11. 3. KT, Chapter 7 ... Tag: Solved Exercise - ITsiastic - WordPress.com This is a solved exercise from the book "Algorithms Design" from Jon Kleinberg and Éva Tardos. All the answers / solutions in this blog were made from me, so it ... Lecture Slides for Algorithm Design These are a revised version of the lecture slides that accompany the textbook Algorithm Design by Jon Kleinberg and Éva Tardos. Here are the original and ... Chapter 7, Network Flow Video Solutions, Algorithm Design Video answers for all textbook questions of chapter 7, Network Flow , Algorithm Design by Numerade. ... Algorithm Design. Jon Kleinberg, Éva Tardos. Chapter 7.