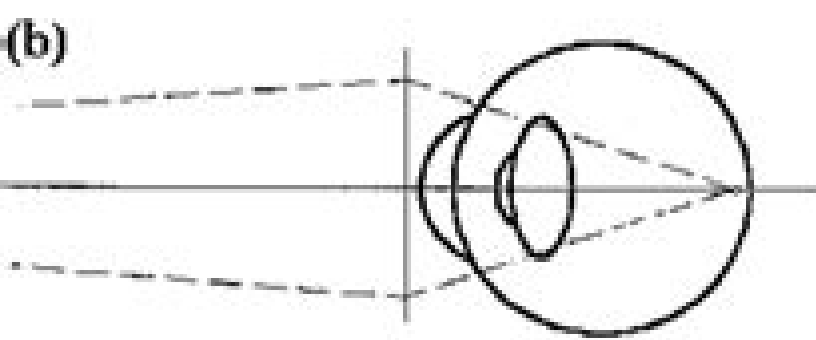
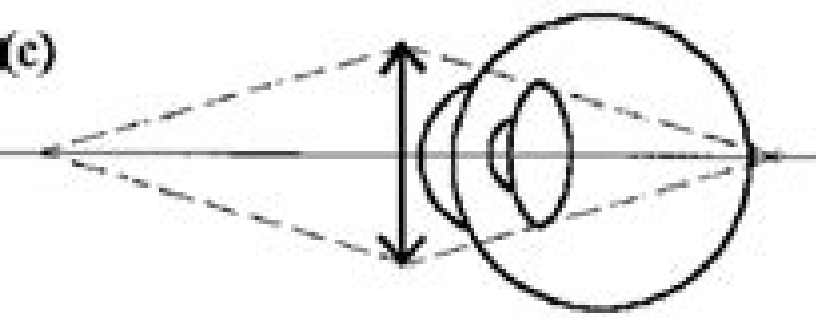


Nearwork results in lag of accommodative response and associated hyperopic defocus (pt. A in accommodative stimulus/response curve in Fig. 3). Dashed lines represent light rays from object.



Subsequent viewing at far results in a small transient myopia (nearwork-induced transient myopia).



Plus lens represents equivalent amount of residual transient myopia. Far-to-near carry-over of nearwork-induced transient myopia due to slow decay of crystalline lens power can be represented by an equivalent plus lens. Thus, when returning to nearwork, the effective accommodative stimulus is reduced slightly, and the accommodative response is also reduced (i.e., moved down from A to B in the accommodative stimulus/response curve in Fig. 3), resulting in a slight decrease in accommodative error, or retinal defocus.

Accommodation Nearwork And Myopia

AW Rasmussen



Accommodation Nearwork And Myopia:

Immerse yourself in heartwarming tales of love and emotion with Explore Love with its touching creation, Tender Moments: **Accommodation Nearwork And Myopia** . This emotionally charged ebook, available for download in a PDF format (Download in PDF: *), is a celebration of love in all its forms. Download now and let the warmth of these stories envelop your heart.

<https://gandalf.roeckerfam.com/data/book-search/index.jsp/contemporary%20love%20songs.pdf>

Table of Contents Accommodation Nearwork And Myopia

1. Understanding the eBook Accommodation Nearwork And Myopia
 - The Rise of Digital Reading Accommodation Nearwork And Myopia
 - Advantages of eBooks Over Traditional Books
2. Identifying Accommodation Nearwork And Myopia
 - Exploring Different Genres
 - Considering Fiction vs. Non-Fiction
 - Determining Your Reading Goals
3. Choosing the Right eBook Platform
 - Popular eBook Platforms
 - Features to Look for in an Accommodation Nearwork And Myopia
 - User-Friendly Interface
4. Exploring eBook Recommendations from Accommodation Nearwork And Myopia
 - Personalized Recommendations
 - Accommodation Nearwork And Myopia User Reviews and Ratings
 - Accommodation Nearwork And Myopia and Bestseller Lists
5. Accessing Accommodation Nearwork And Myopia Free and Paid eBooks
 - Accommodation Nearwork And Myopia Public Domain eBooks
 - Accommodation Nearwork And Myopia eBook Subscription Services
 - Accommodation Nearwork And Myopia Budget-Friendly Options

6. Navigating Accommodation Nearwork And Myopia eBook Formats
 - ePub, PDF, MOBI, and More
 - Accommodation Nearwork And Myopia Compatibility with Devices
 - Accommodation Nearwork And Myopia Enhanced eBook Features
7. Enhancing Your Reading Experience
 - Adjustable Fonts and Text Sizes of Accommodation Nearwork And Myopia
 - Highlighting and Note-Taking Accommodation Nearwork And Myopia
 - Interactive Elements Accommodation Nearwork And Myopia
8. Staying Engaged with Accommodation Nearwork And Myopia
 - Joining Online Reading Communities
 - Participating in Virtual Book Clubs
 - Following Authors and Publishers Accommodation Nearwork And Myopia
9. Balancing eBooks and Physical Books Accommodation Nearwork And Myopia
 - Benefits of a Digital Library
 - Creating a Diverse Reading Collection Accommodation Nearwork And Myopia
10. Overcoming Reading Challenges
 - Dealing with Digital Eye Strain
 - Minimizing Distractions
 - Managing Screen Time
11. Cultivating a Reading Routine Accommodation Nearwork And Myopia
 - Setting Reading Goals Accommodation Nearwork And Myopia
 - Carving Out Dedicated Reading Time
12. Sourcing Reliable Information of Accommodation Nearwork And Myopia
 - Fact-Checking eBook Content of Accommodation Nearwork And Myopia
 - Distinguishing Credible Sources
13. Promoting Lifelong Learning
 - Utilizing eBooks for Skill Development
 - Exploring Educational eBooks
14. Embracing eBook Trends
 - Integration of Multimedia Elements

- Interactive and Gamified eBooks

Accommodation Nearwork And Myopia Introduction

In this digital age, the convenience of accessing information at our fingertips has become a necessity. Whether its research papers, eBooks, or user manuals, PDF files have become the preferred format for sharing and reading documents. However, the cost associated with purchasing PDF files can sometimes be a barrier for many individuals and organizations. Thankfully, there are numerous websites and platforms that allow users to download free PDF files legally. In this article, we will explore some of the best platforms to download free PDFs. One of the most popular platforms to download free PDF files is Project Gutenberg. This online library offers over 60,000 free eBooks that are in the public domain. From classic literature to historical documents, Project Gutenberg provides a wide range of PDF files that can be downloaded and enjoyed on various devices. The website is user-friendly and allows users to search for specific titles or browse through different categories. Another reliable platform for downloading Accommodation Nearwork And Myopia free PDF files is Open Library. With its vast collection of over 1 million eBooks, Open Library has something for every reader. The website offers a seamless experience by providing options to borrow or download PDF files. Users simply need to create a free account to access this treasure trove of knowledge. Open Library also allows users to contribute by uploading and sharing their own PDF files, making it a collaborative platform for book enthusiasts. For those interested in academic resources, there are websites dedicated to providing free PDFs of research papers and scientific articles. One such website is Academia.edu, which allows researchers and scholars to share their work with a global audience. Users can download PDF files of research papers, theses, and dissertations covering a wide range of subjects. Academia.edu also provides a platform for discussions and networking within the academic community. When it comes to downloading Accommodation Nearwork And Myopia free PDF files of magazines, brochures, and catalogs, Issuu is a popular choice. This digital publishing platform hosts a vast collection of publications from around the world. Users can search for specific titles or explore various categories and genres. Issuu offers a seamless reading experience with its user-friendly interface and allows users to download PDF files for offline reading. Apart from dedicated platforms, search engines also play a crucial role in finding free PDF files. Google, for instance, has an advanced search feature that allows users to filter results by file type. By specifying the file type as "PDF," users can find websites that offer free PDF downloads on a specific topic. While downloading Accommodation Nearwork And Myopia free PDF files is convenient, its important to note that copyright laws must be respected. Always ensure that the PDF files you download are legally available for free. Many authors and publishers voluntarily provide free PDF versions of their work, but its essential to be cautious and verify the authenticity of the source before downloading Accommodation Nearwork And Myopia. In conclusion, the internet offers numerous platforms and websites that allow users to download free PDF files

legally. Whether its classic literature, research papers, or magazines, there is something for everyone. The platforms mentioned in this article, such as Project Gutenberg, Open Library, Academia.edu, and Issuu, provide access to a vast collection of PDF files. However, users should always be cautious and verify the legality of the source before downloading Accommodation Nearwork And Myopia any PDF files. With these platforms, the world of PDF downloads is just a click away.

FAQs About Accommodation Nearwork And Myopia Books

How do I know which eBook platform is the best for me? Finding the best eBook platform depends on your reading preferences and device compatibility. Research different platforms, read user reviews, and explore their features before making a choice. Are free eBooks of good quality? Yes, many reputable platforms offer high-quality free eBooks, including classics and public domain works. However, make sure to verify the source to ensure the eBook credibility. Can I read eBooks without an eReader? Absolutely! Most eBook platforms offer web-based readers or mobile apps that allow you to read eBooks on your computer, tablet, or smartphone. How do I avoid digital eye strain while reading eBooks? To prevent digital eye strain, take regular breaks, adjust the font size and background color, and ensure proper lighting while reading eBooks. What the advantage of interactive eBooks? Interactive eBooks incorporate multimedia elements, quizzes, and activities, enhancing the reader engagement and providing a more immersive learning experience. Accommodation Nearwork And Myopia is one of the best book in our library for free trial. We provide copy of Accommodation Nearwork And Myopia in digital format, so the resources that you find are reliable. There are also many Ebooks of related with Accommodation Nearwork And Myopia. Where to download Accommodation Nearwork And Myopia online for free? Are you looking for Accommodation Nearwork And Myopia PDF? This is definitely going to save you time and cash in something you should think about.

Find Accommodation Nearwork And Myopia :

contemporary love songs

contemporary religious poetry

content and form in tests of intelligence

contentious europeans protests and politics in an integrating europe

contexts of language

control mechanisms in plant development

contemporary composers

continent we live on juv

continental water marketing

contemporary perspectives on strategic market planning

contemporary european foreign policy

contes populaires et legendes de bretagne

~~contemporary chinese politics and foreign policy~~

~~control of cognitive processes attenti~~

contingency theory of organizations

Accommodation Nearwork And Myopia :

medical physics katalog istanbul edu tr - Jun 01 2022

web skip to bottom content giriş

medical physics cameron j r skofronick j g - Jan 08 2023

web feb 6 1980 medical physics paperback import february 6 1980 by j r cameron author j g skofronick author 1 rating
john r cameron medical physics 10 1118 1 1928283 deepdyve - Oct 05 2022

web jun 1 2005 web of science journals medical physics volume 32 issue 6 subject areas biochemistry genetics and molecular biology

medical physics cameron jr and skofronick jg john wiley - Nov 06 2022

web medical physics cameron jr and skofronick jg john wiley and sons inc new york 1978 21 95 holmes 1978 journal of clinical ultrasound wiley online library

medical physics the physics of the body cameron j r john - Jan 28 2022

web medical physics the physics of the body cameron j r john roderick 1922 2005 free download borrow and streaming internet archive

medical physics john r cameron james g skofronick - Jul 14 2023

web medical physics john r cameron james g skofronick wiley 1978 biophysics 615 pages terminology modeling and measurement forces on and in the body physics of the skeleton heat

physics of the body cameron 2000 medical physics wiley - May 12 2023

web feb 10 2000 medical physics books and publications physics of the body john r cameron james g skofronick roderick m grant richard l morin first published 10 february 2000 doi org 10 1118 1 598847 citations 11 pdf tools share no abstract is

available for this article citing literature volume 27 issue 2 february 2000 pages 425 425

eric cameron colorado associates in medical physics - Jul 02 2022

web eric cameron ph d eric joined camp in 2021 following completion of his clinical residency in diagnostic medical physics with medical and radiation physics inc eric completed his bachelor of science in physics at the university of wyoming and his ph d in medical physics at purdue university where he specialized in mri image post processing

courses graduate school of health sciences yeditepe - Feb 26 2022

web introduction to medical metrology core mphys 520 internship in health institutions core mphys 532 nuclear medical physics core mphys 542 radiotherapy physics core mphys 543 dosimetry methods in radiotherapy core mphys 544

medical physics physics of the body john r cameron james - Mar 10 2023

web medical physics physics of the body john r cameron james g skofronick medical physics publishing 1992 biophysics 343 pages

physics of the body 2nd edition medical physics publishing - Sep 04 2022

web physics of the body 2nd edition author john cameron et al isbn 9781930524828 published 1999 394 pp ebook out of print

medical physics by john r cameron goodreads - Dec 07 2022

web jan 1 1978 medical physics john r cameron james g skofronick 3 83 92 ratings 8 reviews describes medical physics in a simple straightforward manner discusses the physical principles involved in the control and function of organs and organ systems 615 pages hardcover first published january 1 1978 book details editions about the

medical physics cameron j r john roderick 1922 free - Aug 15 2023

web medical physics by cameron j r john roderick 1922 publication date 1978 topics medical physics publisher new york wiley collection inlibrary printdisabled internetarchivebooks contributor internet archive language english xviii 615 p 24 cm a wiley interscience publication includes bibliographies and index access restricted item

medical physics conferences in turkey 2023 2024 2025 - Apr 30 2022

web medical physics conferences in turkey 2023 2024 2025 is for the researchers scientists scholars engineers academic scientific and university practitioners to present research activities that might want to attend events meetings seminars congresses workshops summit and symposiums

medical physics by john r cameron goodreads - Apr 11 2023

web john r cameron want to read rate this book 1 of 5 stars 2 of 5 stars 3 of 5 stars 4 of 5 stars 5 of 5 stars medical physics by john r cameron james g skofronick 3 83 rating details 90 ratings 8 reviews describes medical *physics of the body cameron j r john roderick 1922 2005* - Dec 27 2021

web english xv 394 pages 26 cm revised edition of medical physics john r cameron james g skofronick roderick m grant

c1992 terminology modeling and measurement energy heat work and power of the body muscle and forces physics of the skeleton pressure in the body osmosis and the kidneys by russell k hobbie

[medical physics in turkey 13 best universities ranked 2023](#) - Mar 30 2022

web below is a list of best universities in turkey ranked based on their research performance in medical physics a graph of 11 9m citations received by 1 01m academic papers made by 13 universities in turkey was used to calculate publications ratings which then were adjusted for release dates and added to final scores

john r cameron and james g skofronick pdf free download - Aug 03 2022

web medical physics john r cameron and james g skofronick author cameron john r subject 1 fisika kedokteran publisher singapore john wiley sons year 1978 stock 5 index page index hlm 587 615 info xviii 615 hlm il 22 cm page 1

medical physics physics of the body john r cameron james - Feb 09 2023

web medical physics physics of the body john r cameron james g skofronick medical physics pub 1992 biophysics 343 pages 0 reviews reviews aren t verified but google checks for

medical physics j r cameron j g skofronick google books - Jun 13 2023

web j r cameron j g skofronick wiley may 4 1978 science 615 pages describes medical physics in a simple straightforward manner discusses the physical principles involved in the

[menghitung titik berat dan momen inersia penampang balok i](#) - Sep 23 2023

yi jarak antara titik berat segmen terhadap titik 0 garis datum dari sumbu y catatan miringkan layar hp bagi pengguna seluler jika persamaan tidak cukup atau tidak nampak titik 0 garis datum saya ambil dari bawah penampang balok

[iv titik berat dan momen inersia upi y a i](#) - Apr 18 2023

titik berat dan momen inersia iv titik berat dan momen inersia 4 1 titik berat penampang momen pertama suatu luasan elemen terhadap suatu sumbu di dalam bidang luasan diberikan dengan produk luasan elemen dan jarak tegak lurus antara elemen dengan sumbu

[rumus momen inersia dan contoh soalnya paling lengkap](#) - Aug 22 2023

rumus momen inersia diatas dapat digunakan jika besarnya momen inersia i didalam suatu benda bermassa yg mempunyai titik putar didalam sumbunya $i = m_1 r_1^2 + m_2 r_2^2 + m_3 r_3^2 + \dots$ diketahui i adalah momen inersia kg m^2 m adalah massa kg r adalah jarak kr dari titik poros atau jari jari m

kumpulan rumus momen inersia lengkap dengan contoh soal - Jun 20 2023

jan 30 2023 secara matematis rumus momen inersia benda tegar dinyatakan sebagai berikut dengan m_1 massa partikel ke 1 m_2 massa partikel ke 2 m_3 massa partikel ke 3 m_n massa partikel ke n r_1 jarak partikel ke 1 ke sumbu rotasi r_2 jarak partikel ke 2 ke sumbu rotasi r_3 jarak partikel ke 3 ke sumbu rotasi

menghitung momen inersia bidang datar mekanika bahan - Aug 10 2022

nov 24 2017 momen inersia polar yaitu momen inersia terhadap suatu titik perpotongan dua garis lurus atau sumbu dengan kata lain bahwa inersia polar adalah jumlah momen inersia linier terhadap sumbu x dan sumbu y

rumus momen inersia dan contoh soal materi fisika kelas 11 - Jul 21 2023

jun 17 2022 $I = m r^2$ penjelasan m adalah massa partikel kg r merupakan jarak partikel ke sumbu putar m satuan momen inersia adalah $kg m^2$ pada benda pejal besar momen inersia dapat dihitung sebagai distribusi massa benda dikalikan dengan jarak sumbu putar sedangkan untuk rumus momen inersia benda tegar adalah sebagai berikut

rumus momen inersia dan contoh soalnya materi ipa com - Oct 12 2022

nov 28 2017 jadi momen inersia yang terhubung oleh seutas tali berjarak 50 cm dengan berat 100 gram adalah 0 05 $kg m^2$ baca juga contoh hukum newton 3 dan penjelasannya $I = \sum m r^2$ rumus 2 rumus 2 digunakan jika terdapat beberapa benda atau partikel yang berotasi terhadap sumbu rotasi contoh soal rumus 2

titik pusat berat dan momen inersia massa staff - Apr 06 2022

besar momen inersia dihitung dengan rumus untuk benda berupa partikel tunggal titik massa $I = \sum m r^2$ untuk beberapa partikel titik massa $I = \sum m r^2$

menghitung momen inersia penampang bersusun seputar - Jun 08 2022

aug 30 2016 $y = cy^2 71$ cm ada rumus umum mencari titik berat gabungan penampang berlaku juga untuk sumbu y hitung momen inersia I_x gabungan dengan persamaan dimana adalah jarak titik berat masing masing penampang tunggal ke titik berat penampang gabungan untuk kasus di atas sehingga untuk sumbu y dimana karena titik berat

momen inertia titik berat pdf scribd - Nov 13 2022

momen inersia terhadap sumbu x y yang melalui titik berat penampang z adalah I_{xz} atau $I_x 1 12 b h^3$ dan I_{yz} atau $I_y 1 12 h b^3$ momen inersia terhadap sumbu x adalah $I_x = I_{xz} + I_{yz} = \frac{1}{12} b h^3 + \frac{1}{12} h b^3 = \frac{1}{12} b h (b^2 + h^2)$ momen inersia terhadap sumbu y adalah $I_y = I_{yz} + I_{xz} = \frac{1}{12} h b^3 + \frac{1}{12} b h^3 = \frac{1}{12} b h (b^2 + h^2)$

menghitung momen inersia seputar dunia teknik sipil - Mar 05 2022

jun 26 2009 adalah momen inersia terhadap sumbu x tertentu adalah momen inersia terhadap sumbu netral garis berat adalah luas bangun penampang adalah jarak dari titik berat ke sumbu momen inersia yang dicari catatan untuk tinjauan sumbu y tinggal ditukar aja kok x jadi y y jadi x

cara gampang memahami konsep momen inersia ruang guru - Jul 09 2022

july 30 2021 6 minutes read artikel fisika kelas 11 ini membahas tentang konsep momen inersia serta contoh penerapannya di kehidupan sehari hari coba perhatikan mainan di atas deh benda benda yang akan diluncurkan pada lintasan

penerapan integral untuk menghitung titik berat dan momen inersia - Jan 15 2023

membuat titik berat pita menentukan momen terhadap sumbu x m_x dan sumbu y m_y selanjutnya menghitung titik berat tersebut dengan integral 4 untuk menghitung momen inersia langkahnya dimulai dengan membuat pita sejajar dengan garis l sumbu x dan titik berat pita kemudian dibentuk hasil kali luas

menghitung titik berat dan momen inersia penampang balok i - May 19 2023

sep 7 2023 x 100 8 2 104 mm 10 4 cm sementara untuk sumbu y karena masing masing elemen siku l 100x100x10 posisi titik berat c_y nya berjarak sama dari sumbu dasar maka titik berat gabungannya juga akan sama y c_y 2 71 cm ada rumus umum mencari titik berat gabungan penampang berlaku juga untuk sumbu y

titik berat momentum sudut torsi momen inersia pdf scribd - Feb 04 2022

145 contoh soal dan pembahasan1 sebuah partikel bermassa 0 5 gram melakukan gerak melingkar dengan kecepatan sudut tetap 2 rad s $^{-1}$ jika jari jari lintasan partikel 10 cm maka momentum sudut partikel itu adalah pembahasan momentum sudut partikel l 0 5 x 10 5 kg m² 2 rad s $^{-1}$ x 10 5 kg m² s²

rumus momen inersia rumushitung com - Sep 11 2022

aug 26 2017 sedangkan bola pejal berjari jari 5 cm dan massa 4 kg jika kedua benda tadi berotasi dengan poros melalui pusatnya maka tentukan perbandingan momen inersia silinder dan bola jawab m s 2kg r s 8 cm 8 10 2 m m b 4kg r b 5 cm 5 10 2 m momen inersia silinder pejal adalah i s 1 2 m s r s 2 1 2 2 8 10 2 2 64 10 4 kg m²

momen inersia konsep rumus contoh soal momen inersia - Feb 16 2023

besarnya momen inersia suatu benda bergantung terhadap beberapa faktor yaitu massa benda atau partikel geometri benda bentuk letak sumbu putar benda jarak ke sumbu putar benda lengan momen rumus momen inersia besarnya momen inersia i suatu benda bermassa yang memiliki titik putar pada sumbu yang diketahui dirumuskan sebagai berikut

fakultas teknik jurusan teknik sipil universitas brawijaya - Mar 17 2023

menentukan titik berat penampang berhubung momen inersia yang diinginkan akan dipergunakan dalam perhitungan lenturan maka momen inersia ini haruslah diperhitungkan terhadap sumbu yang melalui titik berat penampang keterangan luas a mm² jarak titik berat thd garis bawah y mm a x y mm³ luas total 40 x 60 2400 30 2400 x 30 72000

contoh perhitungan momen inersia seputar dunia teknik sipil - May 07 2022

dec 1 2009 sekedar pengingat saja untuk persegi momen inersia nya adalah dan lokasi titik beratnya ada pada seperdua lebar dan seperdua tinggi persegi sementara untuk segitiga siku siku momen inersia dan lokasi titik beratnya ada

fakultas teknik jurusan teknik sipil universitas brawijaya - Dec 14 2022

menentukan titik berat penampang berhubung momen inersia yang diinginkan akan dipergunakan dalam perhitungan lenturan maka momen inersia ini haruslah diperhitungkan terhadap sumbu yang melalui titik berat penampang keterangan luas a mm² jarak titik berat thd alas y mm a x y mm³ luas total 40 x 60 2400 30 2400 x 30 72000 luas

the golden book of chemistry experiments google books - Apr 07 2022

may 30 2016 the golden book of chemistry experiments english by robert brent topics chemistry experiments english collection arvindgupta

the golden book of chemistry experiments how to set up a - Jun 21 2023

jul 8 2020 book title the golden book of chemistry experiments book author robert brent book copyright 1960 book isbn none book publisher golden press

[the golden book of chemistry experiments internet archive](#) - Dec 03 2021

[the golden book of chemistry experiments pdf](#) - Jul 10 2022

may 6 2006 by phillip torrone may 6th 2006 mark spotted this great chemistry experiment book i heard about but extremely hard to locate the scanner reviewer writes back in the

the golden book of chemistry experiments wikiwand - Dec 15 2022

the golden book of chemistry experiments how to set up a home laboratory over 200 simple experiments brent robert lazarus harry amazon com au books books

the golden book of chemistry experiments how to set up a - Jul 22 2023

jan 31 2023 the golden book of chemistry experiments how to set up a home laboratory over 200 simple experiments paperback january 31 2023 by robert brent author

[the golden book of chemistry experiments how to set up a](#) - Apr 19 2023

jul 24 2021 timeless classics books jul 24 2021 education 116 pages the golden book of chemistry experiments was a children s chemistry book written in the 1960s by robert

the golden book of chemistry experiments text detected - Jun 09 2022

oct 17 2023 oct 16 2023 10 32 p m et china s top leader xi jinping founded the belt and road initiative a decade ago to use the country s economic might to enlarge its geopolitical

[the golden book of chemistry experiments 1960 make](#) - Feb 05 2022

the golden book of chemistry experiments how to set up a - Aug 11 2022

banned the golden book of chemistry experiments was a children s chemistry book written in the 1960s by robert brent and illustrated by harry lazarus showing how to set up your own

golden chemistry book free download borrow - Nov 14 2022

the golden book of chemistry experiments how to set up a home laboratory over 200 simple experiments pdf robert brent

illustrated by harry lazarus

the golden book of chemistry experiments pdf scribd - Sep 12 2022

oct 10 2015 the golden book of chemistry experiments banned the golden book of chemistry experiments was a children s chemistry book written in the 1960s by robert brent

the golden book of chemistry experiments open library - Jan 16 2023

download now ial the golden book of mf chemistry experimentsfthe golden book of chemistry experiments how to set up a home laboratory over 200 simple

1960 the golden book of chemistry experiments archive org - May 20 2023

jul 16 2021 the golden book of chemistry experiments how to set up a home laboratory over 200 simple experiments free download borrow and streaming internet archive

what is china s belt and road initiative and how is it changing - Jan 04 2022

the golden book of chemistry experiments how to - Oct 13 2022

oct 24 2022 the golden book of chemistry experiments how to set up a home laboratory over 200 simple experiments addeddate 2022 10 24 16 11 49

the golden book of chemistry experiments google books - Feb 17 2023

book by robert brent from wikipedia the free encyclopedia the golden book of chemistry experiments is a children s chemistry book written in 1960 by robert brent and illustrated by

the golden book of chemistry experiments how to set up a - Mar 06 2022

jul 21 2018 the golden book of chemistry experiments robert brent free download borrow and streaming internet archive an illustration of a magnifying glass an illustration

the golden book of chemistry experiments kindle - May 08 2022

the golden book of chemistry experiments western publishing 1960 dimensions are 185 millimeters width by 260 millimeters height and weight 126 3 grams 52 pages copyright

the golden book of chemistry experiments archive org - Oct 01 2021

the golden book of chemistry experiments english - Nov 02 2021

golden book of chemistry experiments brent robert free - Aug 23 2023

buy the golden book of chemistry experiments how to set up a home laboratory over 200 simple experiments by brent robert

lazarus harry isbn 9781447862239 from

the golden book of chemistry experiments goodreads - Mar 18 2023

dec 15 2009 the golden book of chemistry experiments how to set up a home laboratory over 200 simple experiments 1960

golden press in english rev ed

the golden book of chemistry - Sep 24 2023

apr 9 2011 very well designed book with a lot of educational information and experiments very lucid approach to

performing experiments in an amateur chemistry lab simple projects