

limited to I_{DSS} or less. Output currents are

$$i_o = \frac{e_i - V_-}{R} \quad \text{and} \quad i_o = -\frac{e_i}{R}$$

High output impedance is developed by feedback and the high reverse impedance of the FET junction. With a feedback error signal at the input equal to the output voltage swing divided by the voltage gain, the circuits have the output impedance shown. This impedance decreases with frequency as a result of the decreasing gain and the shunting of the gate-drain capacitance. Since the amplifier follows the load voltage swing, the slewing rate is limited to that of the amplifier.

3.2.2 Improving unipolar output characteristics Simple circuit additions can improve the output impedances of the bipolar transistor-controlled current sources and can increase the output currents of the FET-controlled current sources. Improved output impedance is achieved by adding cascode bias, as shown in Fig. 3.13 for the circuit of Fig. 3.9a. With the addition of the cascode-biasing FET, the collector-base voltage of the current source transistor equals the gate-source voltage of the FET. Load voltage variations are not impressed on the collector-base

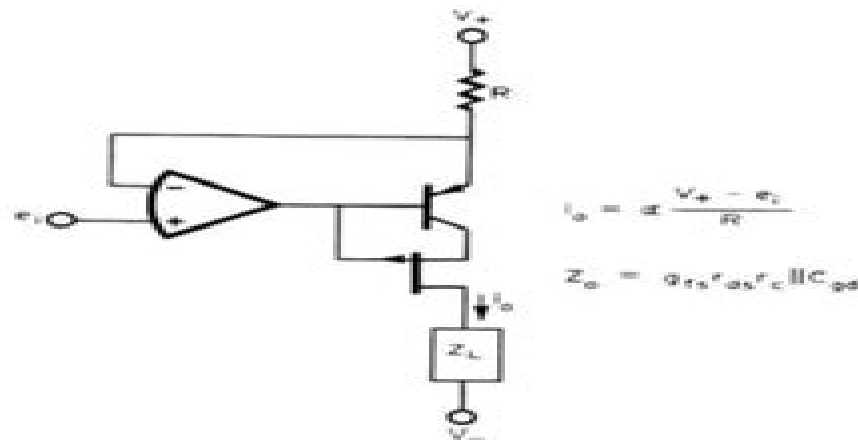


Fig. 3.13 An FET cascode bias greatly increases the output impedance of a bipolar transistor-controlled current source by essentially removing load voltage swing from the current source transistor.

Application Of Operational Amplifiers Third Generation Techniques

JE Gale



Application Of Operational Amplifiers Third Generation Techniques:

Applications of Operational Amplifiers Jerald G. Graeme, 1973 Optimizing operational amplifier performance Amplifiers Signal conditioners Signal processors Signal generators Special purpose circuits **Applications Of Operational Amplifiers: Third-generation Techniques** J.G. Graeme, *Applications of Operational Amplifiers* Jerald G. Graeme, 1973 **Analog Electronics with Op-amps** A. J. Peyton, Vincent Walsh, 1993-08-12 A reference volume of analog electronic circuits based on the op amp containing practical detail and technical advice **Op Amps for Everyone** Ron Mancini, 2003 The operational amplifier op amp is the most versatile and widely used type of analog IC used in audio and voltage amplifiers signal conditioners signal converters oscillators and analog computing systems Almost every electronic device uses at least one op amp This book is Texas Instruments complete professional level tutorial and reference to operational amplifier theory and applications Among the topics covered are basic op amp physics including reviews of current and voltage division Thevenin's theorem and transistor models idealized op amp operation and configuration feedback theory and methods single and dual supply operation understanding op amp parameters minimizing noise in op amp circuits and practical applications such as instrumentation amplifiers signal conditioning oscillators active filters load and level conversions and analog computing There is also extensive coverage of circuit construction techniques including circuit board design grounding input and output isolation using decoupling capacitors and frequency characteristics of passive components The material in this book is applicable to all op amp ICs from all manufacturers not just TI Unlike textbook treatments of op amp theory that tend to focus on idealized op amp models and configuration this title uses idealized models only when necessary to explain op amp theory The bulk of this book is on real world op amps and their applications considerations such as thermal effects circuit noise circuit buffering selection of appropriate op amps for a given application and unexpected effects in passive components are all discussed in detail Published in conjunction with Texas Instruments A single volume professional level guide to op amp theory and applications Covers circuit board layout techniques for manufacturing op amp circuits **Op Amps for Everyone** Bruce Carter, 2009-03-19 The op amp IC has become the universal analog IC because it can perform all analog tasks OP AMPS FOR EVERYONE provides the theoretical tools and practical know how to get the most from these versatile devices This new edition substantially updates coverage for low speed and high speed applications and provides step by step walkthroughs for design and selection of op amps and circuits Modular organization allows readers based on their own background and level of experience to start at any chapter written by experts at Texas Instruments and based on real op amps and circuit designs from TI NEW large number of new cases for single supply op amp design techniques including use of web based design tool NEW complete design walk through for low speed precision op amp selection and circuit design NEW updates including new techniques for design for high speed low distortion applications NEW extensive new material on filters and filter design including high speed filtering for video

and data **Feedback Circuits and Op. Amps** D. H. Horrocks,2013-03-14 Feedback circuits in general and op amp applications which embody feedback principles in particular play a central role in modern electronic engineering This importance is reflected in the undergraduate curriculum where it is common practice for first year undergraduates to be taught the principles of these subjects It is right therefore that one of the tutorial guides in electronic engineering be devoted to feedback circuits and op amps Often general feedback circuit principles are taught before passing on to op amps and the order of the chapters reflects this It is equally valid to teach op amps first A feature of the guide is that it has been written to allow this approach to be followed by deferring the study of Chapters 2 4 and 5 until the end A second feature of the guide is the treatment of loading effects in feedback circuits contained in Chapter 5 Loading effects are significant in many feedback circuits and yet they are not dealt with fully in many texts Prerequisite knowledge for a successful use of the guide has been kept to a minimum A knowledge of elementary circuit theory is assumed and an understanding of basic transistor circuits would be useful for some of the feedback circuit examples

High Performance Instrumentation and Automation

Patrick H. Garrett,2018-10-03 Improvements in process control such as defined accuracy instrumentation structures and computationally intelligent process modeling enable advanced capabilities such as molecular manufacturing High Performance Instrumentation and Automation demonstrates how systematizing the design of instrumentation and automation leads to higher performance through more homogeneous systems which are frequently assisted by rule based fuzzy logic and neural network process descriptions Incorporate Advanced Performance Enhancements into Your Automation Enterprise The book illustrates generic common core process to control concurrent engineering linkages applied to a variety of laboratory and industry automation systems It outlines Product properties translated into realizable process variables Axiomatic decoupling of subprocess variables for improved robustness Production planner model driven goal state execution In situ sensor and control structures for attenuating process disorder Apparatus tolerance design for minimizing process variabilities Production planner remodeling based on product features measurement for quality advancement Coverage also includes multisensor data fusion high performance computer I O design guided by comprehensive error modeling multiple sensor algorithmic error propagation robotic axes volumetric accuracy quantitative video digitization and reconstruction evaluation and in situ process measurement methods High Performance Instrumentation and Automation reflects the experience of engineer and author Patrick Garrett including his role as co principal investigator for an Air Force intelligent manufacturing initiative You can download Analysis Suite xls computer aided design instrumentation software available in the book s description on the CRC Press website *Designing with Operational Amplifiers* Jerald G. Graeme,1977

Control System Technology C. J. Chesmond,2014-05-12 Control System Technology focuses on the processes methodologies and techniques employed in control system technology including digital computers transducers actuators and amplifiers The book first takes a look at classification terminology and definitions displacement reference and velocity of

transducers and strain force torque acceleration load and tension of transducers Discussions focus on strain gauges and measuring bridges other transducers for measuring force torque acceleration and tension displacement and velocity transducers natural control systems classification of control systems and generalized single loop continuous feedback control system The monograph examines electric amplifiers and final control elements hydraulic and pneumatic amplifiers and final control elements flow control valves actuators and positioners and signal and data conversion The publication also ponders on interfacing control systems to digital computers control system performance and commissioning and experimental testing of plant system elements and systems The manuscript is a valuable reference for engineers and researchers interested in control system technology *Handbook of Linear Integrated Electronics for Research* Thomas Daniel Scott Hamilton,1977

Operational Amplifier Circuits Eldredge Johnson Kennedy,1988 This complete text on op amp use and design discusses topics essential to the practicing engineer that are not covered in comparable texts including error budget analysis noise analysis active filters and op amps with multiple poles The text can be used as a supplement in many electronics courses It has a practical emphasis and coverage of SPICE computer modeling satisfying the latest ABET recommendations for more design emphasis in EE courses It uses commercially available op amps rather than theoretical models in examples and problems to familiarize students with actual devices It also provides unusually extensive coverage of active filters one of the most significant current uses of op amps and includes data sheets for the most widely used op amps **Operational**

Amplifier Circuits David E. Johnson,V. Jayakumar,1982 Function Circuits Yu Jen Wong,William E. Ott,1976

Semiconductor Circuits: Linear and Digital Marlin P. Ristenbatt,1975 **Midwest Symposium on Circuits and Systems** ,1975 *Electronics Applications Sourcebook* Harry L. Helms,1986 Proceedings of the Eighteenth Midwest

Symposium on Circuits and Systems, August 11-12, 1975, Concordia University, Montreal, Quebec, Canada M. N. S. Swamy,1975 *U.S. Environmental Protection Agency Library System Book Catalog* United States. Environmental

Protection Agency. Library Systems Branch,1976 Includes the monographic collection of the 28 libraries comprising the Library System of the Environmental Protection Agency **Subject Guide to Books in Print** ,1984

Whispering the Techniques of Language: An Psychological Journey through **Application Of Operational Amplifiers Third Generation Techniques**

In a digitally-driven world wherever screens reign great and instant interaction drowns out the subtleties of language, the profound techniques and mental subtleties concealed within words frequently move unheard. However, located within the pages of **Application Of Operational Amplifiers Third Generation Techniques** a charming fictional treasure sporting with fresh feelings, lies an extraordinary quest waiting to be undertaken. Published by a skilled wordsmith, that charming opus invites visitors on an introspective trip, softly unraveling the veiled truths and profound impact resonating within ab muscles fabric of each word. Within the mental depths of the poignant review, we will embark upon a sincere exploration of the book is core styles, dissect its fascinating writing model, and yield to the powerful resonance it evokes strong within the recesses of readers hearts.

https://gandalf.roeckerfam.com/book/uploaded-files/default.aspx/Canadian_Pacific_In_South_Ontario.pdf

Table of Contents Application Of Operational Amplifiers Third Generation Techniques

1. Understanding the eBook Application Of Operational Amplifiers Third Generation Techniques
 - The Rise of Digital Reading Application Of Operational Amplifiers Third Generation Techniques
 - Advantages of eBooks Over Traditional Books
2. Identifying Application Of Operational Amplifiers Third Generation Techniques
 - Exploring Different Genres
 - Considering Fiction vs. Non-Fiction
 - Determining Your Reading Goals
3. Choosing the Right eBook Platform
 - Popular eBook Platforms
 - Features to Look for in an Application Of Operational Amplifiers Third Generation Techniques
 - User-Friendly Interface
4. Exploring eBook Recommendations from Application Of Operational Amplifiers Third Generation Techniques

Application Of Operational Amplifiers Third Generation Techniques

- Personalized Recommendations
- Application Of Operational Amplifiers Third Generation Techniques User Reviews and Ratings
- Application Of Operational Amplifiers Third Generation Techniques and Bestseller Lists
- 5. Accessing Application Of Operational Amplifiers Third Generation Techniques Free and Paid eBooks
 - Application Of Operational Amplifiers Third Generation Techniques Public Domain eBooks
 - Application Of Operational Amplifiers Third Generation Techniques eBook Subscription Services
 - Application Of Operational Amplifiers Third Generation Techniques Budget-Friendly Options
- 6. Navigating Application Of Operational Amplifiers Third Generation Techniques eBook Formats
 - ePub, PDF, MOBI, and More
 - Application Of Operational Amplifiers Third Generation Techniques Compatibility with Devices
 - Application Of Operational Amplifiers Third Generation Techniques Enhanced eBook Features
- 7. Enhancing Your Reading Experience
 - Adjustable Fonts and Text Sizes of Application Of Operational Amplifiers Third Generation Techniques
 - Highlighting and Note-Taking Application Of Operational Amplifiers Third Generation Techniques
 - Interactive Elements Application Of Operational Amplifiers Third Generation Techniques
- 8. Staying Engaged with Application Of Operational Amplifiers Third Generation Techniques
 - Joining Online Reading Communities
 - Participating in Virtual Book Clubs
 - Following Authors and Publishers Application Of Operational Amplifiers Third Generation Techniques
- 9. Balancing eBooks and Physical Books Application Of Operational Amplifiers Third Generation Techniques
 - Benefits of a Digital Library
 - Creating a Diverse Reading Collection Application Of Operational Amplifiers Third Generation Techniques
- 10. Overcoming Reading Challenges
 - Dealing with Digital Eye Strain
 - Minimizing Distractions
 - Managing Screen Time
- 11. Cultivating a Reading Routine Application Of Operational Amplifiers Third Generation Techniques
 - Setting Reading Goals Application Of Operational Amplifiers Third Generation Techniques
 - Carving Out Dedicated Reading Time
- 12. Sourcing Reliable Information of Application Of Operational Amplifiers Third Generation Techniques

- Fact-Checking eBook Content of Application Of Operational Amplifiers Third Generation Techniques
 - Distinguishing Credible Sources
13. Promoting Lifelong Learning
- Utilizing eBooks for Skill Development
 - Exploring Educational eBooks
14. Embracing eBook Trends
- Integration of Multimedia Elements
 - Interactive and Gamified eBooks

Application Of Operational Amplifiers Third Generation Techniques Introduction

Free PDF Books and Manuals for Download: Unlocking Knowledge at Your Fingertips In today's fast-paced digital age, obtaining valuable knowledge has become easier than ever. Thanks to the internet, a vast array of books and manuals are now available for free download in PDF format. Whether you are a student, professional, or simply an avid reader, this treasure trove of downloadable resources offers a wealth of information, conveniently accessible anytime, anywhere. The advent of online libraries and platforms dedicated to sharing knowledge has revolutionized the way we consume information. No longer confined to physical libraries or bookstores, readers can now access an extensive collection of digital books and manuals with just a few clicks. These resources, available in PDF, Microsoft Word, and PowerPoint formats, cater to a wide range of interests, including literature, technology, science, history, and much more. One notable platform where you can explore and download free Application Of Operational Amplifiers Third Generation Techniques PDF books and manuals is the internet's largest free library. Hosted online, this catalog compiles a vast assortment of documents, making it a veritable goldmine of knowledge. With its easy-to-use website interface and customizable PDF generator, this platform offers a user-friendly experience, allowing individuals to effortlessly navigate and access the information they seek. The availability of free PDF books and manuals on this platform demonstrates its commitment to democratizing education and empowering individuals with the tools needed to succeed in their chosen fields. It allows anyone, regardless of their background or financial limitations, to expand their horizons and gain insights from experts in various disciplines. One of the most significant advantages of downloading PDF books and manuals lies in their portability. Unlike physical copies, digital books can be stored and carried on a single device, such as a tablet or smartphone, saving valuable space and weight. This convenience makes it possible for readers to have their entire library at their fingertips, whether they are commuting, traveling, or simply enjoying a lazy afternoon at home. Additionally, digital files are easily searchable, enabling readers to locate specific information within seconds. With a few keystrokes, users can search for keywords, topics, or phrases, making

Application Of Operational Amplifiers Third Generation Techniques

research and finding relevant information a breeze. This efficiency saves time and effort, streamlining the learning process and allowing individuals to focus on extracting the information they need. Furthermore, the availability of free PDF books and manuals fosters a culture of continuous learning. By removing financial barriers, more people can access educational resources and pursue lifelong learning, contributing to personal growth and professional development. This democratization of knowledge promotes intellectual curiosity and empowers individuals to become lifelong learners, promoting progress and innovation in various fields. It is worth noting that while accessing free Application Of Operational Amplifiers Third Generation Techniques PDF books and manuals is convenient and cost-effective, it is vital to respect copyright laws and intellectual property rights. Platforms offering free downloads often operate within legal boundaries, ensuring that the materials they provide are either in the public domain or authorized for distribution. By adhering to copyright laws, users can enjoy the benefits of free access to knowledge while supporting the authors and publishers who make these resources available. In conclusion, the availability of Application Of Operational Amplifiers Third Generation Techniques free PDF books and manuals for download has revolutionized the way we access and consume knowledge. With just a few clicks, individuals can explore a vast collection of resources across different disciplines, all free of charge. This accessibility empowers individuals to become lifelong learners, contributing to personal growth, professional development, and the advancement of society as a whole. So why not unlock a world of knowledge today? Start exploring the vast sea of free PDF books and manuals waiting to be discovered right at your fingertips.

FAQs About Application Of Operational Amplifiers Third Generation Techniques Books

How do I know which eBook platform is the best for me? Finding the best eBook platform depends on your reading preferences and device compatibility. Research different platforms, read user reviews, and explore their features before making a choice. Are free eBooks of good quality? Yes, many reputable platforms offer high-quality free eBooks, including classics and public domain works. However, make sure to verify the source to ensure the eBook credibility. Can I read eBooks without an eReader? Absolutely! Most eBook platforms offer web-based readers or mobile apps that allow you to read eBooks on your computer, tablet, or smartphone. How do I avoid digital eye strain while reading eBooks? To prevent digital eye strain, take regular breaks, adjust the font size and background color, and ensure proper lighting while reading eBooks. What the advantage of interactive eBooks? Interactive eBooks incorporate multimedia elements, quizzes, and activities, enhancing the reader engagement and providing a more immersive learning experience. Application Of Operational Amplifiers Third Generation Techniques is one of the best book in our library for free trial. We provide copy of Application Of Operational Amplifiers Third Generation Techniques in digital format, so the resources that you find are reliable. There are

Application Of Operational Amplifiers Third Generation Techniques

also many Ebooks of related with Application Of Operational Amplifiers Third Generation Techniques. Where to download Application Of Operational Amplifiers Third Generation Techniques online for free? Are you looking for Application Of Operational Amplifiers Third Generation Techniques PDF? This is definitely going to save you time and cash in something you should think about.

Find Application Of Operational Amplifiers Third Generation Techniques :

canadian pacific in south ontario

canada among nations 2003 coping with the american colossus

cameron diaz

canada dieppe 1942 - echoes of disaster

canada con pabione a teachers cry for quebec

campbells 176 lightning rounds

camouflage big

campfire dreams keepsake no 6

campaigning for the massachusetts senate

camp haunted hills

canadas resource industries

cambridge plays the little red hen

canada a journey of discovery

can you tell me how to get to sesame street elmo beginner

canadas changing age structure implication for the future

Application Of Operational Amplifiers Third Generation Techniques :

yoko tsuno l intégrale tome 3 a la poursuite du temps by - Feb 25 2022

web yoko tsuno l intégrale tome 3 a la poursuite du temps by leloup april 19th 2020 inta grale rubine tome 3 inta grale

rubine 3 a iquest quia n es israel spanish edition

download solutions yoko tsuno l inta c grale tome 3 a la - Apr 10 2023

web yoko tsuno l inta c grale tome 3 a la poursuite d tome 5 l affaire sylvak tome 6 l affaire du détenu 3491 tome 7 l affaire

nov 07 2022 collins pocket italian

yoko tsuno l inta c grale tome 3 a la poursuite d download - Mar 09 2023

web yoko tsuno l inta c grale tome 3 a la poursuite d when somebody should go to the book stores search inauguration by shop shelf by shelf it is in fact problematic this is

yoko tsuno l integrale tome 3 a la poursuite du temps by - Sep 03 2022

web this yoko tsuno l integrale tome 3 a la poursuite du temps by leloup as one of the bulk functioning sellers here will thoroughly be paired with by the best options to review

yoko tsuno l integrale tome 3 a la poursuite du temps by - Dec 26 2021

web jun 18 2023 yoko tsuno l integrale tome 3 a la poursuite du temps by leloup yoko tsuno l integrale tome 3 a la poursuite du temps by leloup by hunting the title

yoko tsuno l inta c grale tome 3 a la poursuite d - Sep 22 2021

web yoko tsuno l inta c grale tome 3 a la poursuite d getting the books yoko tsuno l inta c grale tome 3 a la poursuite d now is not type of inspiring means you could

yoko tsuno l inta c grale tome 3 a la poursuite d pdf - Feb 08 2023

web feb 27 2023 yoko tsuno l inta c grale tome 3 a la poursuite d 1 3 downloaded from uniport edu ng on february 27 2023 by guest yoko tsuno l inta c grale tome 3 a la

yoko tsuno l inta c grale tome 3 a la poursuite d - Jan 27 2022

web yoko tsuno l inta c grale tome 3 a la poursuite d 3 3 erotic manga and the men who make it is the first english language anthology of its kind an in depth introduction to

yoko tsuno l inta c grale tome 3 a la poursuite d - Dec 06 2022

web yoko tsuno l inta c grale tome 3 a la poursuite d the farlex idioms and slang dictionary nov 28 2019 if you don t know idioms you don t know english idioms are

yoko tsuno l integrale tome 3 a la poursuite du temps by - Nov 24 2021

web jun 4 2023 yoko tsuno l integrale tome 3 a la poursuite du temps by leloup and countless books collections from fictions to scientific investigationh in any way when

yoko tsuno l integrale tome 3 a la poursuite du temps babelio - Jul 13 2023

web mar 28 2007 critiques 6 citations 5 extraits de yoko tsuno l integrale tome 3 a la poursuite du de roger leloup cette 3e integrale de la saga yoko tsuno intitulee a

yoko tsuno l inta c grale tome 3 a la poursuite d pdf pdf - Mar 29 2022

web yoko tsuno l inta c grale tome 3 a la poursuite d pdf pages 2 10 yoko tsuno l inta c grale tome 3 a la poursuite d pdf upload donald l grant 2 10 downloaded

yoko tsuno l inta c grale tome 3 a la poursuite d 2023 - Nov 05 2022

web performance des finances municipales l ouvrage traite de sujets allant de la decentralisation à la transparence et à l obligation de rendre compte il explore aussi des

yoko tsuno l inta c grale tome 3 a la poursuite d copy - Oct 24 2021

web 2 yoko tsuno l inta c grale tome 3 a la poursuite d 2022 06 30 harbor unspeakable power will she help to save the town or destroy it or is it ela herself who is really in

yoko tsuno l inta c grale tome 3 a la poursuite d pdf - Jul 01 2022

web jun 12 2023 yoko tsuno l inta c grale tome 3 a la poursuite d 2 3 downloaded from uniport edu ng on june 12 2023 by guest 1 550 commonly taught basic words each

yoko tsuno l inta c grale tome 3 a la poursuite d pdf - Jan 07 2023

web aug 18 2023 yoko tsuno l inta c grale tome 3 a la poursuite d 1 1 downloaded from uniport edu ng on august 18 2023 by guest yoko tsuno l inta c grale tome 3 a la

yoko tsuno l inta c grale tome 3 a la poursuite d copy - Aug 02 2022

web apr 12 2023 yoko tsuno l inta c grale tome 3 a la poursuite d is available in our book collection an online access to it is set as public so you can download it instantly our

yoko tsuno l inta c grale tome 3 a la poursuite d rob - Oct 04 2022

web yoko tsuno l inta c grale tome 3 a la poursuite d if you ally compulsion such a referred yoko tsuno l inta c grale tome 3 a la poursuite d ebook that will meet the

free yoko tsuno l inta c grale tome 3 a la poursuite d - May 11 2023

web enlever par un dragon qui tyrannise les habitants de l île d enoshima sans hésiter eli et ses camarades se lanceront à sa poursuite des montagnes aux côtes japonaises en

yoko tsuno l integrale vol 3 editoriale cosmo - Jun 12 2023

web yoko tsuno l integrale vol 3 all inseguimento del tempo con monya l ultima terrestre viva nel 39 secolo e la sua macchina del tempo yoko tsuno

yoko tsuno l integrale tome 3 À la poursuite du temps - Aug 14 2023

web amazon fr yoko tsuno l integrale tome 3 À la poursuite du temps leloup leloup livres livres séries de livres bandes dessinées livraison prioritaire profitez de tous

yoko tsuno l inta c grale tome 3 a la poursuite d copy - Apr 29 2022

web aug 19 2023 buy and make bargains to download and install yoko tsuno l inta c grale tome 3 a la poursuite d so simple wild cards down and dirty george r r martin

Application Of Operational Amplifiers Third Generation Techniques

[yoko tsuno l inta c grale tome 3 a la poursuite d pdf 2023](#) - May 31 2022

[web jun 17 2023 yoko tsuno l inta c grale tome 3 a la poursuite d pdf web feb 27 2023 yoko tsuno l inta c grale tome 3 a la poursuite d 1 3 downloaded from uniport edu ng](#)

[national open university of nigeria postgraduate courses nigerian](#) - Mar 16 2023

web postgraduate diploma programme in christian theology journalism peace and conflict resolution criminology and security studies master of arts science programmes in english peace and conflict resolution mass communication christian theology doctor of philosophy ph d programme by research in christian theology religious studies

[noun courses for pgd master s and phd programme edusportal](#) - Oct 11 2022

[web mar 7 2023 list of postgraduate diploma courses offered in national open university of nigeria noun pgd agricultural extension management pgd christian religious studies pgd education pgd](#)

[admission requirements school of post graduate studies](#) - May 18 2023

web for postgraduate diploma programmes candidates must possess either a minimum of pass bachelors degree in any discipline from a university recognised by the senate of

national open university of nigeria courses admission - Aug 09 2022

web sep 16 2021 the university has 11 faculties and also offers postgraduate diploma programmes and masters degree programmes the faculties departments courses programmes include 1 centre for entrepreneurship and

[2022 2023 noun undergraduate postgraduate available courses for](#) - Apr 05 2022

web the 2022 national open university of nigeria noun undergraduate and postgraduate courses available for admission is released and published online here national open university of nigeria exam course centres noun admission noun exam noun study centre noun courses

[programmes noun nou edu ng](#) - Jul 20 2023

web postgraduate fees for foreign students and foreign based students apply now returning students procedure for registration fees schedule postgraduate fees for

[official list of noun postgraduate courses programmes](#) - Sep 22 2023

web nov 21 2023 noun postgraduate courses 2024 2025 here is the official list of national open university of nigeria noun school of postgraduate studies spgs programmes offered duration and entry requirements for the

[national open university of nigeria wikipedia](#) - Nov 12 2022

web nou edu ng student portal the national open university of nigeria is a federal open and distance learning odl institution the first of its kind in the west african sub region it is nigeria s largest tertiary institution in terms of student number and is popularly referred to as noun

Application Of Operational Amplifiers Third Generation Techniques

courses national open university of nigeria - Sep 10 2022

web course code course title credit unit level semester departments2 aea251 introductionto agricultural economics agricultural economics and extension agr206 crop anatomy taxonomy and physiology 200 crop and soil science lis322 information representation and packaging 2 1 library and information science inr111

national open university courses for master s programme - May 06 2022

web national open university nigeria noun postgraduate school offers postgraduate diploma master s programme and ph d programmes this article focuses on the national open university courses for masters programme national open university nigeria noun is an open and distance learning institution owned by the federal government of

national open university of nigeria postgraduate courses - Apr 17 2023

web may 9 2018 here are the admission requirements for postgraduate courses in national open university of nigeria a candidate must meet the needed matriculation requirements at least five 5 credit passes including mathematics and the applicant should have bachelors degree from recognized university or a

postgraduate diploma in education pgde faculty of education - Feb 15 2023

web postgraduate diploma in education is domiciled in the faculty of education national open university of nigeria this degree programme has got her full accreditation approval from nigerian universities commission nuc this programme pgde is opened to all students who have had their first degree or its equivalent

noun national open university of nigeria - Jun 19 2023

web at the national open university of nigeria noun our programmes are tailored to make learning accessible flexible and available for you at all times in any place and at your pace

school of post graduate studies national open university of nigeria - Oct 23 2023

web i warmly welcome you to the school of postgraduate studies spgs national open university of nigeria noun as the foremost and all time provider of open and distance learning odl university education in nigeria we proudly offer academic freedom through a functional adaptable and cost effective learning approach that bestows

list of courses offered at noun open university edusportal - Jun 07 2022

web jun 28 2023 the updated list of accredited courses offered at the national open university of nigeria noun for undergraduate postgraduate diploma master and ph d programmes official list of courses available in all departments and faculties of the national open university of nigeria noun

registrable courses school of post graduate studies - Aug 21 2023

web school of postgraduate p100201 phd christian theology 900 1 3 c crs911 wisdom literature ot specialization school of postgraduate p100201 phd christian theology 900 1 3 c crs913 prophetic books ot specialization school of postgraduate

Application Of Operational Amplifiers Third Generation Techniques

p100201 phd christian theology 900 1 3 c crs910 current trends in old

noun postgraduate courses duration and entry requirements - Jul 08 2022

web duration of pg programmes postgraduate programmes in national open university are designed to last for a period of eighteen 18 months list of postgraduate courses offered in nou national open university pgd agricultural extension and management m a christian religious studies ph d christian religious studies pgd christian religious

national open university of nigeria - Jan 14 2023

web postgraduate students could take their examinations provided they apply for it by midnight 13th of june 2020 from 15th to 20th of june 2020 dates for undergraduate students virtual examinations is as follows

list of accredited courses and programmes in noun 2021 - Mar 04 2022

web here s the full lists which contains all 2021 22 accredited courses and programmes in the national open university of nigeria noun post graduate masters

national open university of nigeria - Dec 13 2022

web an applicant for postgraduate admission into noun is normally expected to have a minimum of a first degree second class lower for masters or hnd for pgd in a related field in addition to 5 o level credits including english language and mathematics

weda stekom - Nov 22 2021

yajurweda wikipedia bahasa indonesia ensiklopedia bebas - Mar 27 2022

web nov 13 2023 kitab kitab suci yahudi tersebut dialihbahasakan oleh 70 cendekiawan yahudi ke dalam bahasa yunani kuno pada era ptolemus philadelpus 248 285 sm di

weda wikiwand - Mar 07 2023

web nov 2 2021 catur weda disebut sebagai mantra lantaran tersusun dari syair syair pujaan weda sendiri adalah kitab suci yang memuat dasar pengajaran agama hindu

apa isi dari catur weda Kompas.com - Jan 05 2023

web wahyu sama weda dihimpun oleh rsi jaimini sama weda samhita terbagi menjadi 6 bagian yakni kitab sakha kitab brahmana kitab aranyaka kitab upanisad kitab

mengenal weda kitab suci agama hindu yang menjadi - Apr 08 2023

web bahasa sanskerta weda juga disebut sebagai bahasa sanskerta kuno atau disingkat sebagai bahasa weda adalah bahasa yang dipergunakan di dalam kitab suci weda

mengenal weda sruti kitab suci yang memuat wahyu sang - Feb 06 2023

web kitap suci agama hindu weda adalah kitab suci hinduisme weda adalah kumpulan besar literatur kuno dalam hinduisme

veda termasuk dalam ajaran sruti karena orang

weda wikipedia bahasa indonesia ensiklopedia bebas - Jul 11 2023

web jun 11 2021 kitab suci agama hindu adalah weda kitab ini berlaku sepanjang zaman mulai dari zaman manusia

prasejarah hingga zaman modern weda memuat penjelasan

doc kitab suci weda surya nata academia edu - May 29 2022

web manuskrip kitab suci weda kitab suci agama hindu weda dianggap mereproduksi suara yang tepat dari alam semesta pada saat penciptaan dan seterusnya sehingga

seperti apa kitab suci yahudi ini penjelasannya - Oct 22 2021

bahasa weda wikipedia bahasa indonesia ensiklopedia bebas - Nov 03 2022

web kitab suci weda surya nata weda merupakan kitab suci yang menjadi sumber segala ajaran agama hindu weda

merupakan kitab suci tertua di dunia karena umurnya setua

kitab suci weda dan ritual kuno agama hindu puja shanti - Dec 24 2021

isi pembagian weda sebagai sumber ajaran agama hindu - Aug 12 2023

web feb 17 2016 sumber ajaran agama hindu adalah kitab suci weda yaitu kitab yang berisikan ajaran kesucian yang diwahyukan oleh hyang widhi wasa melalui para maha

kodifikasi weda mengenal kitab suci hindu ilyasweb - Jan 25 2022

kitab suci weda lengkap dengan penjelasannya puja shanti - Sep 13 2023

web nov 2 2021 weda atau veda adalah kitab suci agama hindu yang diwahyukan oleh tuhan brahman kepada para maharsi veda memiliki tiga kedudukan penting bagi umat

pengertian kodifikasi dan jenis jenis kitab suci veda - Jun 29 2022

web mar 27 2023 apa saja isi kitab suci weda kitab suci weda terdiri dari berbagai macam mantra doa dan pengajaran yang berkaitan dengan agama hindu setiap kitab

kitab suci agama hindu veda kitab sumber ajaran agama - Sep 01 2022

web yajurveda yayurveda sanskrit ऋ ऋ ऋ yajurveda berasal dari akar kata yajus yang berarti pengorbanan dan veda yang artinya pengetahuan adalah salah satu bagian

jaman sejarah turunnya veda weda blogger bali - Feb 23 2022

kitab weda sejarah bagian isi dan sifatnya - Oct 14 2023

weda sanskerta □ □ weda bali □ □ ilmu pengetahuan adalah kitab suci agama hindu weda merupakan kumpulan sastra sastra kuno dari zaman india kuno yang jumlahnya sangat banyak dan luas dalam ajaran hindu weda termasuk dalam golongan sruti secara harfiah berarti yang didengar karena umat hindu percaya bahwa isi weda merupakan kumpulan wahyu dari brahman tuhan

bagian bagian catur weda kitab yang berasal dari wahyu tuhan - Oct 02 2022

web pengenalan perkataan weda berasal daripada perkataan sanskrit vid bermaksud untuk mengetahui dan ia merujuk kepada seluruh himpunan ilmu esoterik dan rohani

pokok pokok ajaran weda kitab suci agama hindu - Dec 04 2022

web jan 12 2020 sebagai kitab suci weda adalah sumber ajaran agama hindu sebab dari weda lah mengalir ajaran yang merupakan kebenaran agama hindu dari kitab weda

bagian bagian kitab suci weda weda blogger bali - Jul 31 2022

web 1 weda kitab suci agama hindu 1 1 bahasa weda weda 1 2 isi weda 2 jaman sejarah turunnya weda weda 2 1 penduduk india pada zaman kuno 2 2 berbagai

mengenal kitab suci weda semerti lengkap dengan bagian dan - Jun 10 2023

web weda adalah kitab suci agama hindu weda merupakan kumpulan sastra sastra kuno dari zaman india kuno yang jumlahnya sangat banyak dan luas dalam ajaran hindu weda

weda wikipedia bahasa melayu ensiklopedia bebas - Apr 27 2022

web weda sanskerta □ □ weda bali □ □ ilmu pengetahuan adalah kitab suci agama hindu dalam ajaran hindu weda termasuk dalam golongan sruti secara harfiah berarti yang

memahami sumber ajaran agama hindu weda mantra hindu - May 09 2023

web nov 1 2021 mengutip buku pendidikan agama hindu dan budi pekerti untuk anak sd weda sruti adalah kitab suci yang memuat wahyu sang hyang widhi kepada maharsi