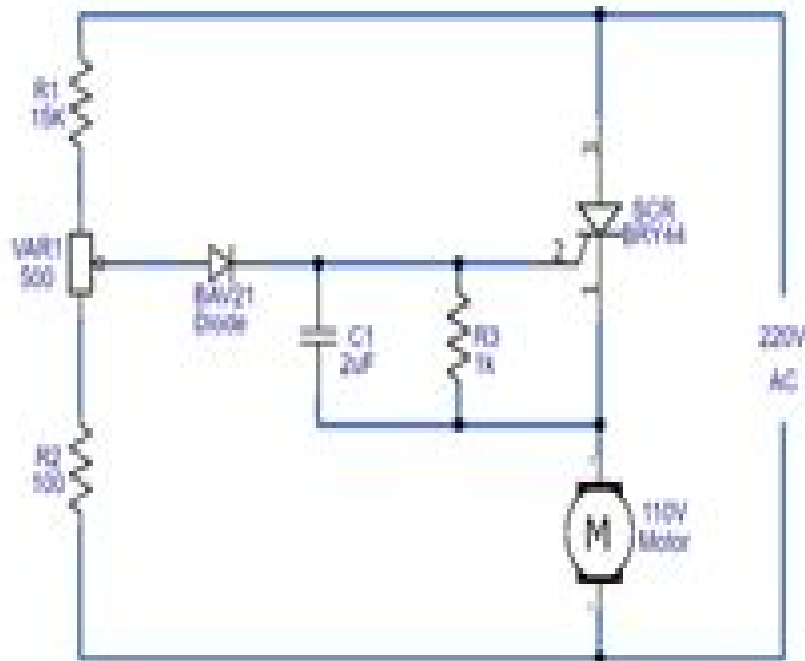


AC Power

Motor Speed Control



Ac And Dc Motor Control

RD Boyd



Ac And Dc Motor Control:

As recognized, adventure as skillfully as experience virtually lesson, amusement, as competently as accord can be gotten by just checking out a book **Ac And Dc Motor Control** next it is not directly done, you could endure even more with reference to this life, roughly the world.

We manage to pay for you this proper as well as simple showing off to acquire those all. We manage to pay for Ac And Dc Motor Control and numerous books collections from fictions to scientific research in any way. in the midst of them is this Ac And Dc Motor Control that can be your partner.

https://gandalf.roeckerfam.com/public/scholarship/fetch.php/Barbecue_Cooking_The_Gourmet_Way.pdf

Table of Contents Ac And Dc Motor Control

1. Understanding the eBook Ac And Dc Motor Control
 - The Rise of Digital Reading Ac And Dc Motor Control
 - Advantages of eBooks Over Traditional Books
2. Identifying Ac And Dc Motor Control
 - Exploring Different Genres
 - Considering Fiction vs. Non-Fiction
 - Determining Your Reading Goals
3. Choosing the Right eBook Platform
 - Popular eBook Platforms
 - Features to Look for in an Ac And Dc Motor Control
 - User-Friendly Interface
4. Exploring eBook Recommendations from Ac And Dc Motor Control
 - Personalized Recommendations
 - Ac And Dc Motor Control User Reviews and Ratings
 - Ac And Dc Motor Control and Bestseller Lists
5. Accessing Ac And Dc Motor Control Free and Paid eBooks

- Ac And Dc Motor Control Public Domain eBooks
 - Ac And Dc Motor Control eBook Subscription Services
 - Ac And Dc Motor Control Budget-Friendly Options
6. Navigating Ac And Dc Motor Control eBook Formats
 - ePub, PDF, MOBI, and More
 - Ac And Dc Motor Control Compatibility with Devices
 - Ac And Dc Motor Control Enhanced eBook Features
 7. Enhancing Your Reading Experience
 - Adjustable Fonts and Text Sizes of Ac And Dc Motor Control
 - Highlighting and Note-Taking Ac And Dc Motor Control
 - Interactive Elements Ac And Dc Motor Control
 8. Staying Engaged with Ac And Dc Motor Control
 - Joining Online Reading Communities
 - Participating in Virtual Book Clubs
 - Following Authors and Publishers Ac And Dc Motor Control
 9. Balancing eBooks and Physical Books Ac And Dc Motor Control
 - Benefits of a Digital Library
 - Creating a Diverse Reading Collection Ac And Dc Motor Control
 10. Overcoming Reading Challenges
 - Dealing with Digital Eye Strain
 - Minimizing Distractions
 - Managing Screen Time
 11. Cultivating a Reading Routine Ac And Dc Motor Control
 - Setting Reading Goals Ac And Dc Motor Control
 - Carving Out Dedicated Reading Time
 12. Sourcing Reliable Information of Ac And Dc Motor Control
 - Fact-Checking eBook Content of Ac And Dc Motor Control
 - Distinguishing Credible Sources
 13. Promoting Lifelong Learning
 - Utilizing eBooks for Skill Development

- Exploring Educational eBooks
- 14. Embracing eBook Trends
 - Integration of Multimedia Elements
 - Interactive and Gamified eBooks

Ac And Dc Motor Control Introduction

Free PDF Books and Manuals for Download: Unlocking Knowledge at Your Fingertips In today's fast-paced digital age, obtaining valuable knowledge has become easier than ever. Thanks to the internet, a vast array of books and manuals are now available for free download in PDF format. Whether you are a student, professional, or simply an avid reader, this treasure trove of downloadable resources offers a wealth of information, conveniently accessible anytime, anywhere. The advent of online libraries and platforms dedicated to sharing knowledge has revolutionized the way we consume information. No longer confined to physical libraries or bookstores, readers can now access an extensive collection of digital books and manuals with just a few clicks. These resources, available in PDF, Microsoft Word, and PowerPoint formats, cater to a wide range of interests, including literature, technology, science, history, and much more. One notable platform where you can explore and download free Ac And Dc Motor Control PDF books and manuals is the internet's largest free library. Hosted online, this catalog compiles a vast assortment of documents, making it a veritable goldmine of knowledge. With its easy-to-use website interface and customizable PDF generator, this platform offers a user-friendly experience, allowing individuals to effortlessly navigate and access the information they seek. The availability of free PDF books and manuals on this platform demonstrates its commitment to democratizing education and empowering individuals with the tools needed to succeed in their chosen fields. It allows anyone, regardless of their background or financial limitations, to expand their horizons and gain insights from experts in various disciplines. One of the most significant advantages of downloading PDF books and manuals lies in their portability. Unlike physical copies, digital books can be stored and carried on a single device, such as a tablet or smartphone, saving valuable space and weight. This convenience makes it possible for readers to have their entire library at their fingertips, whether they are commuting, traveling, or simply enjoying a lazy afternoon at home. Additionally, digital files are easily searchable, enabling readers to locate specific information within seconds. With a few keystrokes, users can search for keywords, topics, or phrases, making research and finding relevant information a breeze. This efficiency saves time and effort, streamlining the learning process and allowing individuals to focus on extracting the information they need. Furthermore, the availability of free PDF books and manuals fosters a culture of continuous learning. By removing financial barriers, more people can access educational resources and pursue lifelong learning, contributing to personal growth and professional development. This democratization of knowledge promotes intellectual curiosity and empowers

individuals to become lifelong learners, promoting progress and innovation in various fields. It is worth noting that while accessing free Ac And Dc Motor Control PDF books and manuals is convenient and cost-effective, it is vital to respect copyright laws and intellectual property rights. Platforms offering free downloads often operate within legal boundaries, ensuring that the materials they provide are either in the public domain or authorized for distribution. By adhering to copyright laws, users can enjoy the benefits of free access to knowledge while supporting the authors and publishers who make these resources available. In conclusion, the availability of Ac And Dc Motor Control free PDF books and manuals for download has revolutionized the way we access and consume knowledge. With just a few clicks, individuals can explore a vast collection of resources across different disciplines, all free of charge. This accessibility empowers individuals to become lifelong learners, contributing to personal growth, professional development, and the advancement of society as a whole. So why not unlock a world of knowledge today? Start exploring the vast sea of free PDF books and manuals waiting to be discovered right at your fingertips.

FAQs About Ac And Dc Motor Control Books

What is a Ac And Dc Motor Control PDF? A PDF (Portable Document Format) is a file format developed by Adobe that preserves the layout and formatting of a document, regardless of the software, hardware, or operating system used to view or print it. **How do I create a Ac And Dc Motor Control PDF?** There are several ways to create a PDF: Use software like Adobe Acrobat, Microsoft Word, or Google Docs, which often have built-in PDF creation tools. Print to PDF: Many applications and operating systems have a "Print to PDF" option that allows you to save a document as a PDF file instead of printing it on paper. Online converters: There are various online tools that can convert different file types to PDF. **How do I edit a Ac And Dc Motor Control PDF?** Editing a PDF can be done with software like Adobe Acrobat, which allows direct editing of text, images, and other elements within the PDF. Some free tools, like PDFescape or Smallpdf, also offer basic editing capabilities. **How do I convert a Ac And Dc Motor Control PDF to another file format?** There are multiple ways to convert a PDF to another format: Use online converters like Smallpdf, Zamzar, or Adobe Acrobats export feature to convert PDFs to formats like Word, Excel, JPEG, etc. Software like Adobe Acrobat, Microsoft Word, or other PDF editors may have options to export or save PDFs in different formats. **How do I password-protect a Ac And Dc Motor Control PDF?** Most PDF editing software allows you to add password protection. In Adobe Acrobat, for instance, you can go to "File" -> "Properties" -> "Security" to set a password to restrict access or editing capabilities. Are there any free alternatives to Adobe Acrobat for working with PDFs? Yes, there are many free alternatives for working with PDFs, such as: LibreOffice: Offers PDF editing features. PDFsam: Allows splitting, merging, and editing PDFs. Foxit Reader: Provides basic PDF viewing and

editing capabilities. How do I compress a PDF file? You can use online tools like Smallpdf, ILovePDF, or desktop software like Adobe Acrobat to compress PDF files without significant quality loss. Compression reduces the file size, making it easier to share and download. Can I fill out forms in a PDF file? Yes, most PDF viewers/editors like Adobe Acrobat, Preview (on Mac), or various online tools allow you to fill out forms in PDF files by selecting text fields and entering information. Are there any restrictions when working with PDFs? Some PDFs might have restrictions set by their creator, such as password protection, editing restrictions, or print restrictions. Breaking these restrictions might require specific software or tools, which may or may not be legal depending on the circumstances and local laws.

Find Ac And Dc Motor Control :

~~barbecue cooking the gourmet way~~

barbie the first thirty years 1959 through 1989 an identification and value guide

bartholomew we love you

barren zone

baseball record 1983

~~basement upstairs downstairs reclaiming the wasted space in your basement~~

basement regions reports of a french school of geomorphology

~~barbs a study of satire in the plays of wole soyinka~~

basal reader approach to reading

barony of the rose a historical monograp

barney beagle goes camping

~~bargaining for change union politics in~~

barbie of swan lake little sound

barnabys kite ride

barn on fire

Ac And Dc Motor Control :

review of medical microbiology and immunology by warren levinson - Jul 20 2022

web dec 16 2018 by warren levinson peter chin hong elizabeth a joyce jesse nussbaum brian schwartz topics microbiology

bacteriology virology lab laboratory collection opensource language english one of the best in the field of medical

microbiology for student and specialized doctor

review of medical microbiology and immunology 17th edition - Aug 01 2023

web feb 4 2022 review of medical microbiology and immunology 17th edition warren e levinson mcgraw hill education feb 4

2022 medical 880 pages ace your medical courses and pass the boards with

review of medical microbiology and immunology open library - Feb 12 2022

web jan 15 2023 by warren levinson this book is a concise review of the medically important aspects of microbiology and immunology it covers both the basic and clinical aspects of bacteriology virology mycology parasitology and immunology

review of medical microbiology and immunology seventeenth edition - Jun 30 2023

web jan 13 2022 review of medical microbiology and immunology seventeenth edition levinson warren chin hong peter joyce elizabeth a nussbaum jesse schwartz brian 9781264267088 amazon com books books medical books medicine enjoy fast free delivery exclusive deals and award winning movies tv shows with prime

medical microbiology immunology warren levinson google - Mar 28 2023

web jul 15 2004 warren levinson mcgraw hill professional jul 15 2004 medical 644 pages the most concise comprehensive and up to date medical microbiology immunology review gives students the

review of medical microbiology and immunology open library - Jan 26 2023

web oct 21 2010 11th ed by warren levinson 0 ratings 0 want to read 0 currently reading 0 have read this book is a concise review of the medically important aspects of microbiology and immunology it covers both the basic and clinical aspects of bacteriology virology mycology parasitology and immunology

medical microbiology immunology by warren levinson open - May 18 2022

web feb 28 2023 diagnostic bacteriology allergy and immunology immunology microbiology examination questions medical microbiology outlines syllabi outlines microbiologie médicale geneeskunde immunologie microbiologie

levinson tıbbi mikrobiyoloji ve İmmünoloji - Jun 18 2022

web levinson tıbbi mikrobiyoloji ve İmmünoloji burÇın Şener berrİN esen hocalarımızın editörlüğünde hazırlanmış güzel bir kitap tıp kitapçısı tıp kitapları online alışveriş sitesi

levinson tıbbi mikrobiyoloji ve İmmünoloji 9789752779136 - Nov 23 2022

web hematology immunology infectious disease microbiology pharmacology pathology physiology other medical fields

levinson tıbbi mikrobiyoloji ve İmmünoloji favorİlerİme ekle favorİlerİmden Çıkar

review of medical microbiology and immunology 17th edition - Apr 28 2023

web feb 1 2023 review of medical microbiology and immunology 17th edition by warren e levinson 2022 mcgraw hill education edition in english

review of medical microbiology and immunology levinson - May 30 2023

web review of medical microbiology and immunology this book is a concise review of the medically important aspects of microbiology and immunology it covers both the basic and clinical aspects of bacteriology virology mycology parasitology and immunology

e books microbiology immunology biochemistry research - Dec 25 2022

web oct 19 2023 review of medical microbiology and immunology by warren e levinson call number accessmedicine unlimited simultaneous users isbn 9781260116717 publication date 2020 16th edition review of medical microbiology and immunology by warren e levinson peter chin hong elizabeth joyce jesse nussbaum brian schwartz

review of medical microbiology immunology a guide to - Sep 21 2022

web apa citation levinson w chin hong p joyce ea nussbaum j schwartz b levinson w chin hong p joyce e a nussbaum j schwartz b eds eds warren levinson et al 2022 review of medical microbiology immunology a guide to clinical infectious diseases 17e

levinson microbiology pdf woms world of medical saviors - Mar 16 2022

web levinson microbiology highlights real world microbiological and immunological applications in the field of infectious diseases including a specific mix of narrative text pictures of colour tables and statistics the chapter ending self assessment with responses and clinical events

levinson microbiology 17th edition pdf free download - Sep 02 2023

web june 9 2023 by dr medicalstudyzone com 28 comments studying clinical microbiology without a good book is a tough work to come up with this problem here is a perfect book to study clinical microbiology that is the review of medical microbiology and immunology by warren levinson 17th edition

[review of medical microbiology and immunology pdf](#) - Oct 03 2023

web mar 1 2021 review of medical microbiology and immunology free pdf download warren e levinson 832 pages year 2016 medical read online pdf room

medical microbiology and immunology home springer - Apr 16 2022

web oct 5 2023 medical microbiology and immunology covers all aspects of the interrelationship between infectious agents and their hosts among the major topics covered are microbial and viral pathogenesis and the immunological host response to infections

medical microbiology and immunology warren e levinson - Oct 23 2022

web jan 1 1996 the fourth edition of this best selling book continues to offer a concise review of the medically important aspects of microbiology and immunology print length 512 pages language english publisher appleton lange publication date

january 1 1996

[levinson tıbbi mikrobiyoloji ve İmmünoloji amazon com tr](#) - Feb 24 2023

web ciltsiz başlangıç fiyatı 1 019 15 tl 1 yeni başlangıç fiyatı 1 019 15 tl tıbbi mikrobiyoloji alanında tüm zamanların en çok okunan ve tartışmasız öğrencilere 1 sırada referans gösterilen kitabı yeni ve tamamen yenilenmiş içeriğiyle yayınlandı br tüm yayın kuruluşları değerlendirmelerine göre alanında

review of medical microbiology and immunology levinson - Aug 21 2022

web review of medical microbiology and immunology offers a review of the basic and clinical aspects of bacteriology virology mycology parasitology and immunology with an emphasis on the clinical application of microbiology and immunology to

[bob grant s the woman men adore review is it unique](#) - Nov 09 2022

web jun 27 2018 the woman men adore and never leaves is a relationship program by foremost relationship and counseling expert bob grant l p c that teaches women the

[the woman men adore by bob grant review woman men](#) - Sep 19 2023

web the woman men adore is a revolutionary program designed to decode men s emotions and help women become an irresistible attraction crafted with years of professional

book review the woman men adore and never want to - Jun 16 2023

web contact the woman men adore ebooks donna jean happy private life real and eternal love and happy family almost everybody is dreaming about those things but not

the woman men adore and never want to leave m1 - Jun 04 2022

web where you let me take all the risk and try the woman men adore and discover what really makes a man bond with you on a deep emotional level

[the woman men adore by bob grant review and download](#) - Aug 06 2022

web jul 9 2022 the woman men adore is a guide to getting a man back or getting men to want using the tactics that one woman a 41 year old single mom with three kids and lots

[bob grant s the woman men adore review](#) - Dec 30 2021

[the woman men adore pdf scribd](#) - Jan 11 2023

web aug 23 2010 the woman men adore and never want to leave bit ly womenmenneverleave bob grant relationship coach s program the

[the woman men adore and never want to leave youtube](#) - Oct 08 2022

web woman men adore program 47 00 the women men adore club 0 00 adore club 30 day free trial then 39 per month for as

long as i decide to remain a member

the woman men adore and never want to leave - Dec 10 2022

web the tension tease that men find irresistible emotionally connecting understanding men if a woman gives a man all he wants or all that they have and that man still does not

taming the bad boy woman men adore - May 15 2023

web the woman men adore preview of the book by bob grant l p c in the full version of this book you will discover if the man is the head then the woman is the heart your

long page woman men adore - Mar 01 2022

web feb 21 2023 love men love women for a myriad of reasons here are a few of the first it might be clear to see why men adore women the most significant causes for men s

the woman men adore pdf free download - Mar 13 2023

web find helpful customer reviews and review ratings for the woman men adore and never want to leave at amazon com read honest and unbiased product reviews from our users

the woman men adore and never want to leave - Feb 12 2023

web jul 14 2015 the woman men adore is a guide that explains what men find attractive in women it explains to women what they should do in order to make a man fall in love

preorder woman men adore - Jul 05 2022

web there are certain things that men adore in women and no they are not always related to sex men are emotional beings too and they love the little things their partners do for

the woman men adore and never want to - Apr 14 2023

web the yellow house a memoir 2019 national book award winner sarah m broom shoe dog a memoir by the creator of nike phil knight hidden figures the american dream

the woman men adore by bob grant full review oureviews - May 03 2022

web jan 10 2022 what makes a man adore a woman here are 9 top traits that men look for in the girl of their dreams commitment and vows are the bedrock of a healthy

becoming irresistible unlock the woman men adore - Jul 17 2023

web how does a women get a man to chase after a relationship a woman must focus on stirring up a man s emotions powerful emotions like desire overwhelming need love

what makes a man adore a woman 9 key traits - Jan 31 2022

woman men adore woman men adore and never want to - Sep 07 2022

web jul 19 2022 the woman men adore and never want to leave review of bob grants book hailey the woman men adore and never want to leave is a guide by bob grant

about us woman men adore - Aug 18 2023

web by understanding the fundamentals of confidence understanding the complex psychology of men and mastering the subtle art of nonverbal communication you will lay bricks on the

why do men love women surprising reasons hugs with - Nov 28 2021

11 little things men secretly adore about the woman they love - Apr 02 2022

web september 21 2023 by library the woman men adore gives you full control over your heart love life and future despite society telling you that you have to be young tall

intro to business week 2 flashcards quizlet - Sep 16 2023

web intro to business week 2 vieorien a swedish company has allowed loineker an american company the rights to produce vieorien s products and use the vieorien trademark however vieorien does not have the authority or the rights to dictate the business operations of loineker in this scenario loineker is the

intro to business quiz 2 week 2 course test intro to - Oct 17 2023

web course intro to business test quiz 2 30 pts instructions this quiz consist of 10 multiple choice questions and covers the material in chapter 2 be sure you are in chapter 2 when you take the quiz

introduction to business test 2 quizizz - Mar 10 2023

web 35 plays 9th 12th 24 qs sales process cycle 1 8k plays 9th 12th introduction to business test 2 quiz for university students find other quizzes for business and more on quizizz for free

intro to business chapter 2 test flashcards quizlet - Dec 07 2022

web 1 31 flashcards learn test match q chat created by livielauren terms in this set 31 gross domestic product gdp the total dollar value of all final goods and services produced in a country during one year components of gdp consumer spending on food clothing housing and other spending

introduction to business quiz week 2 pdf - Nov 06 2022

web pub quiz 2 may 22 2022 if you re looking to quench your thirst for quiz trivia this ebook offers more than 200 quizzes to meet all of your pub quiz needs specially designed for e readers with easy to navigate question and answer sections so

anyone can be the quizmaster discrete mathematics sep 06 2023

introduction to entrepreneurship ient101 small business quiz - Sep 04 2022

web the questions which follow provide a basic knowledge test of selected concepts covered in this learning pathway entrepreneurs as small business owners the questions published at the end of each learning pathway are re used for the knowledge test for learners interested in earning a digital badge or certificate of participation for the introduction to [intro to business test 2 flashcards quizlet](#) - Jan 08 2023

web 5 terms javic2018 preview terms in this set 49 partnership a voluntary association of two or more persons to act as co owners of a business for profit advantages of partnerships ease of start up availability of capital and credit personal interest combined business skills and knowledge

intro to business week 2 test review for arbus studocu - Feb 09 2023

web arbus course week two test review unit 2 overview of business types small businesses exports imports global exports understanding business as future skip to document university high school intro to business week 2 test review for arbus university university of waterloo course introduction to business information afm 241

introduction to business quiz week 2 pdf uniport edu - Jul 02 2022

web introduction to business quiz week 2 2 4 downloaded from uniport edu ng on june 14 2023 by guest to enhance the visual appeal of posts instagram has become a marketing hub for businesses brands and influencers with many utilizing the platform to attract and engage with consumers the rise of instagram has transformed the

intro to business quiz 2 flashcards quizlet - Aug 15 2023

web intro to business quiz 2 flashcards quizlet economics click the card to flip the study of how people seek to satisfy their needs and wants by making choices click the card to flip 1 23 flashcards learn test match q chat created by briannadh2003 terms in this set 23 economics

[introduction to business quiz week 2 copy](#) - Aug 03 2022

web the new business road test dec 21 2021 building on lessons learned by studying numerous entrepreneurs this book details the author s seven domains model for assessing new business ideas the model is comprised of four market and industry domains and three related to the entrepreneurial team

[intro to business test 1 chapters 1 2 3 4 flashcards](#) - Apr 11 2023

web preview introduction to business chapter 1 2 3 and 4 65 terms Kirstiewaugh preview 31 terms preview ch 4 homework teacher 22 terms untitled username10 preview terms in this set 154 business organization that provides goods or services to earn profits profits difference between a business s revenues and its expenses

introduction to business quiz week 2 pdf pivotid uvu - Apr 30 2022

web introduction to business quiz week 2 for profit higher education 2012 catalogue and announcements university of minnesota 1907

intro to business quiz 2 flashcards quizlet - Jun 13 2023

web study with quizlet and memorize flashcards containing terms like market with voluntary exchange there are simple controls on the activities of buyers and sellers

free pdf download introduction to business quiz week 2 - Oct 05 2022

web introduction to business quiz week 2 practical business math procedures jan 12 2022 business world jul 18 2022 the 4 hour work week oct 29 2020 entrepreneurship is the process of starting a business or other organization the entrepreneur develops a

introduction to data analytics for business week 2 quiz answer - Feb 26 2022

web jun 20 2020 all course answer introduction to data analytics for business week 2 quiz solution introduction to data analytics for business week 2 quiz answer key of coursera course

introduction to business quiz week 2 donate pfi org - Mar 30 2022

web introduction to business quiz week 2 2 downloaded from donate pfi org on 2020 09 02 by guest in the context of core themes such as customer satisfaction ethics entrepreneurship global business and managing change

quiz introduction to business proprofs quiz - Jul 14 2023

web mar 10 2023 welcome to the introduction to business quiz this test is developed to test your fundamental knowledge of business concepts and principles if you are into bus

the biz quiz 14 november 2023 business tutor2u - Jun 01 2022

web nov 14 2023 here s our weekly business news quiz with 8 questions drawn from the business news in the week up to 14 november 2023 the quiz has 8 questions relating to recent business news stories run the online version below in classroom mode this runs all the questions before revealing the answers ask students to complete the quiz

introduction to business quizzes questions answers - May 12 2023

web mar 21 2023 quiz questions about the general business elements quiz questions about the general business elements choose the correct answer questions 25 attempts 289 last updated mar 22 2023 sample question the upper limit to the amount that can be charged for a specific good or service is a price ceiling