

# 11

# ISOMETRIC PROJECTIONS

## 11.1 Introduction

In the orthographic projection of an object, two or more number of principal views are shown. The orthographic projection of an object are given in exact dimension but any of the views shows only two dimensions. However, to visualise the complete shape of an object (i.e. pictorial drawing) we need a thorough knowledge of graphic representation on principal planes, and then only we can conclude and imagine the shape and form of an object. In pictorial drawing one can see the three dimensions (length, breadth and height) of an object.

Some part of an object which is not clear in the orthographic projection can be visualised in pictorial drawing. Pictorial drawing is used extensively for catalogs, piping diagrams, furniture design method of assembling and disassembling in maintenance, manuals etc.

Pictorial diagrams have many advantages but they have some drawbacks that limit their use. Pictorial drawing takes longer time as compared to orthographic drawing and it is difficult to sketch and dimension. Generally we cannot measure the inclined line to the scale.

## 11.2 Types of Pictorial Drawing

The three types of pictorial drawing are Axonometric projection, Oblique projection and Perspective projection. (Perspective projection are out of syllabus hence not discussed.)

### Axonometric Projection

The figure 11.1 shows an axonometric projection of a cube projected on a plane of projection.

Any objects can be placed in different positions with respect to principal plane for drawing its orthographic projections. Theoretically, axonometric projection is a form of orthographic projections. For practical purposes, a few of these important positions have been classified so as to display the three faces which will vary in general proportion. Axonometric projection is of three types.

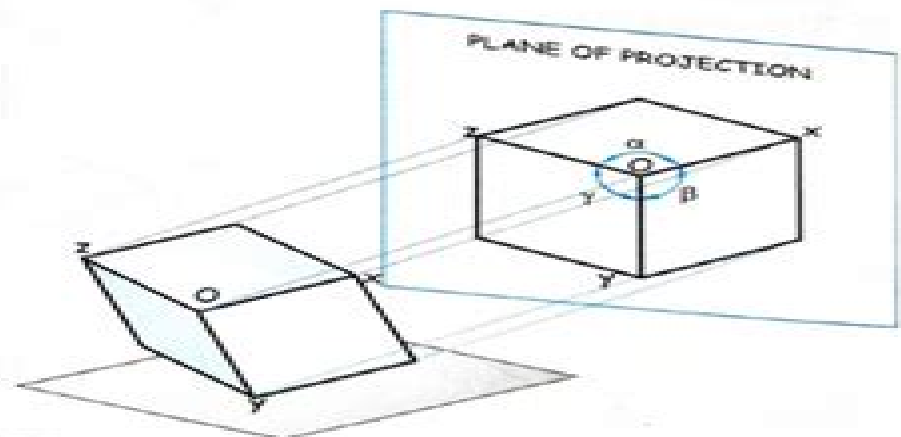


FIG. 11.1

# A Language Of Form The Isometric Theory

**A Gutmann**



## **A Language Of Form The Isometric Theory:**

Thank you unquestionably much for downloading **A Language Of Form The Isometric Theory**. Most likely you have knowledge that, people have seen numerous times for their favorite books similar to this A Language Of Form The Isometric Theory, but end up happening in harmful downloads.

Rather than enjoying a fine book as soon as a cup of coffee in the afternoon, otherwise they juggled subsequent to some harmful virus inside their computer. **A Language Of Form The Isometric Theory** is genial in our digital library an online access to it is set as public thus you can download it instantly. Our digital library saves in complex countries, allowing you to acquire the most less latency times to download any of our books in imitation of this one. Merely said, the A Language Of Form The Isometric Theory is universally compatible similar to any devices to read.

<https://gandalf.roeckerfam.com/files/book-search/HomePages/Action%20Research%20In%20Health.pdf>

## **Table of Contents A Language Of Form The Isometric Theory**

1. Understanding the eBook A Language Of Form The Isometric Theory
  - The Rise of Digital Reading A Language Of Form The Isometric Theory
  - Advantages of eBooks Over Traditional Books
2. Identifying A Language Of Form The Isometric Theory
  - Exploring Different Genres
  - Considering Fiction vs. Non-Fiction
  - Determining Your Reading Goals
3. Choosing the Right eBook Platform
  - Popular eBook Platforms
  - Features to Look for in an A Language Of Form The Isometric Theory
  - User-Friendly Interface
4. Exploring eBook Recommendations from A Language Of Form The Isometric Theory
  - Personalized Recommendations
  - A Language Of Form The Isometric Theory User Reviews and Ratings

- A Language Of Form The Isometric Theory and Bestseller Lists
- 5. Accessing A Language Of Form The Isometric Theory Free and Paid eBooks
  - A Language Of Form The Isometric Theory Public Domain eBooks
  - A Language Of Form The Isometric Theory eBook Subscription Services
  - A Language Of Form The Isometric Theory Budget-Friendly Options
- 6. Navigating A Language Of Form The Isometric Theory eBook Formats
  - ePub, PDF, MOBI, and More
  - A Language Of Form The Isometric Theory Compatibility with Devices
  - A Language Of Form The Isometric Theory Enhanced eBook Features
- 7. Enhancing Your Reading Experience
  - Adjustable Fonts and Text Sizes of A Language Of Form The Isometric Theory
  - Highlighting and Note-Taking A Language Of Form The Isometric Theory
  - Interactive Elements A Language Of Form The Isometric Theory
- 8. Staying Engaged with A Language Of Form The Isometric Theory
  - Joining Online Reading Communities
  - Participating in Virtual Book Clubs
  - Following Authors and Publishers A Language Of Form The Isometric Theory
- 9. Balancing eBooks and Physical Books A Language Of Form The Isometric Theory
  - Benefits of a Digital Library
  - Creating a Diverse Reading Collection A Language Of Form The Isometric Theory
- 10. Overcoming Reading Challenges
  - Dealing with Digital Eye Strain
  - Minimizing Distractions
  - Managing Screen Time
- 11. Cultivating a Reading Routine A Language Of Form The Isometric Theory
  - Setting Reading Goals A Language Of Form The Isometric Theory
  - Carving Out Dedicated Reading Time
- 12. Sourcing Reliable Information of A Language Of Form The Isometric Theory
  - Fact-Checking eBook Content of A Language Of Form The Isometric Theory
  - Distinguishing Credible Sources

13. Promoting Lifelong Learning
  - Utilizing eBooks for Skill Development
  - Exploring Educational eBooks
14. Embracing eBook Trends
  - Integration of Multimedia Elements
  - Interactive and Gamified eBooks

### **A Language Of Form The Isometric Theory Introduction**

In this digital age, the convenience of accessing information at our fingertips has become a necessity. Whether its research papers, eBooks, or user manuals, PDF files have become the preferred format for sharing and reading documents. However, the cost associated with purchasing PDF files can sometimes be a barrier for many individuals and organizations. Thankfully, there are numerous websites and platforms that allow users to download free PDF files legally. In this article, we will explore some of the best platforms to download free PDFs. One of the most popular platforms to download free PDF files is Project Gutenberg. This online library offers over 60,000 free eBooks that are in the public domain. From classic literature to historical documents, Project Gutenberg provides a wide range of PDF files that can be downloaded and enjoyed on various devices. The website is user-friendly and allows users to search for specific titles or browse through different categories. Another reliable platform for downloading A Language Of Form The Isometric Theory free PDF files is Open Library. With its vast collection of over 1 million eBooks, Open Library has something for every reader. The website offers a seamless experience by providing options to borrow or download PDF files. Users simply need to create a free account to access this treasure trove of knowledge. Open Library also allows users to contribute by uploading and sharing their own PDF files, making it a collaborative platform for book enthusiasts. For those interested in academic resources, there are websites dedicated to providing free PDFs of research papers and scientific articles. One such website is Academia.edu, which allows researchers and scholars to share their work with a global audience. Users can download PDF files of research papers, theses, and dissertations covering a wide range of subjects. Academia.edu also provides a platform for discussions and networking within the academic community. When it comes to downloading A Language Of Form The Isometric Theory free PDF files of magazines, brochures, and catalogs, Issuu is a popular choice. This digital publishing platform hosts a vast collection of publications from around the world. Users can search for specific titles or explore various categories and genres. Issuu offers a seamless reading experience with its user-friendly interface and allows users to download PDF files for offline reading. Apart from dedicated platforms, search engines also play a crucial role in finding free PDF files. Google, for instance, has an advanced search feature that allows users to filter results by file type. By specifying the file type as "PDF,"

users can find websites that offer free PDF downloads on a specific topic. While downloading A Language Of Form The Isometric Theory free PDF files is convenient, its important to note that copyright laws must be respected. Always ensure that the PDF files you download are legally available for free. Many authors and publishers voluntarily provide free PDF versions of their work, but its essential to be cautious and verify the authenticity of the source before downloading A Language Of Form The Isometric Theory. In conclusion, the internet offers numerous platforms and websites that allow users to download free PDF files legally. Whether its classic literature, research papers, or magazines, there is something for everyone. The platforms mentioned in this article, such as Project Gutenberg, Open Library, Academia.edu, and Issuu, provide access to a vast collection of PDF files. However, users should always be cautious and verify the legality of the source before downloading A Language Of Form The Isometric Theory any PDF files. With these platforms, the world of PDF downloads is just a click away.

## FAQs About A Language Of Form The Isometric Theory Books

**What is a A Language Of Form The Isometric Theory PDF?** A PDF (Portable Document Format) is a file format developed by Adobe that preserves the layout and formatting of a document, regardless of the software, hardware, or operating system used to view or print it. **How do I create a A Language Of Form The Isometric Theory PDF?** There are several ways to create a PDF: Use software like Adobe Acrobat, Microsoft Word, or Google Docs, which often have built-in PDF creation tools. Print to PDF: Many applications and operating systems have a "Print to PDF" option that allows you to save a document as a PDF file instead of printing it on paper. Online converters: There are various online tools that can convert different file types to PDF. **How do I edit a A Language Of Form The Isometric Theory PDF?** Editing a PDF can be done with software like Adobe Acrobat, which allows direct editing of text, images, and other elements within the PDF. Some free tools, like PDFescape or Smallpdf, also offer basic editing capabilities. **How do I convert a A Language Of Form The Isometric Theory PDF to another file format?** There are multiple ways to convert a PDF to another format: Use online converters like Smallpdf, Zamzar, or Adobe Acrobats export feature to convert PDFs to formats like Word, Excel, JPEG, etc. Software like Adobe Acrobat, Microsoft Word, or other PDF editors may have options to export or save PDFs in different formats. **How do I password-protect a A Language Of Form The Isometric Theory PDF?** Most PDF editing software allows you to add password protection. In Adobe Acrobat, for instance, you can go to "File" -> "Properties" -> "Security" to set a password to restrict access or editing capabilities. Are there any free alternatives to Adobe Acrobat for working with PDFs? Yes, there are many free alternatives for working with PDFs, such as: LibreOffice: Offers PDF editing features. PDFsam: Allows splitting, merging, and editing PDFs. Foxit Reader: Provides basic PDF viewing and editing

capabilities. How do I compress a PDF file? You can use online tools like Smallpdf, I LovePDF, or desktop software like Adobe Acrobat to compress PDF files without significant quality loss. Compression reduces the file size, making it easier to share and download. Can I fill out forms in a PDF file? Yes, most PDF viewers/editors like Adobe Acrobat, Preview (on Mac), or various online tools allow you to fill out forms in PDF files by selecting text fields and entering information. Are there any restrictions when working with PDFs? Some PDFs might have restrictions set by their creator, such as password protection, editing restrictions, or print restrictions. Breaking these restrictions might require specific software or tools, which may or may not be legal depending on the circumstances and local laws.

### **Find A Language Of Form The Isometric Theory :**

~~action research in health~~

~~actors workbook~~

~~act of portrayal eakins sargent james~~

actium and augustus the politics and emotions of civil war

~~actor in you~~

acts the pattern church

*act one 95*

actividades para aprender el nino de 1 ano

actividades de tercer grado home workbooks

~~action fun pads crobwords action fun pads~~

**adam and eve on a raft**

**active study dictionary**

active isolated stretching the mattes method

*action group student discipleship ser. no. 3*

act exam cram

### **A Language Of Form The Isometric Theory :**

*shigeru tanaka em x Über die heilende kraft von antioxidantien - Mar 21 2022*

web shigeru tanaka em x Über die heilende kraft von antioxidantien aus artikelzustand neu preis eur 14 90 inkl mwst

**em x uber die heilende kraft von antioxidantien a yale skysafe - Apr 21 2022**

web em x uber die heilende kraft von antioxidantien a 1 em x uber die heilende kraft von antioxidantien a o ye gentlemen arabic studies on science and literary culture bodiliness and human dignity index catalogue of the library of the surgeon general s office united states army ergonomics and health aspects of work with computers

em x uber die heilende kraft von antioxidantien a - Mar 01 2023

web em x uber die heilende kraft von antioxidantien a springer umweltlexikon jul 28 2021 muskeln aufbauen kraft steigern den körper definieren der schlüssel zu diesen zielen liegt im jede r nimmt anders ab abnehmen ist eine wissenschaft für sich und nur die wenigsten von uns sind experten darin schnell verirrt man sich

**em x uber die heilende kraft von antioxidantien a anthea** - Aug 26 2022

web em x uber die heilende kraft von antioxidantien a scientific research in any way among them is this em x uber die heilende kraft von antioxidantien a that can be your partner sourdough mania anita Šumer 2020 11 23

**em x Über die heilende kraft von antioxidantien aus effektiven** - Jun 23 2022

web 2001 opp gebundene ausgabe 112 s 27 seitige beil em effektive mikroorganismen 21 cm einband etwas bestoßen schnitt fleckig papier altersbed ve

**em x Über die heilende kraft von antioxidantien aus von** - Jul 05 2023

web em x Über die heilende kraft von antioxidantien aus effektiven mikroorganismen isbn 978 3 941383 03 6 bestellen schnelle lieferung auch auf rechnung lehmanns de nach wie vor ist dieses buch das standardwerk über die wirkung von em auf den menschlichen körper unverzichtbar für alle die sich mit diesem thema genauer

em x s tanaka bücher mensch emiko online shop - May 03 2023

web 16 90 gesundheit in eigenverantwortung y tanaka 16 95 em x gold 0 5 l inhalt 0 5 l 151 80 1 l 75 90 einweg Über die heilende kraft von antioxidantien aus em mit klinischen praxisbeispielen

**em x Über die heilende kraft von antioxidanzien aus effektiven** - Oct 28 2022

web em x Über die heilende kraft von antioxidanzien aus effektiven mikroorganismen von shigeru tanaka beim zvak com isbn 10 3922201415 isbn 13 9783922201410 olv organischer landbau verlag 2007 hardcover

*em x Über die heilende kraft von antioxidantien aus ef* - May 23 2022

web oct 13 2010 em x Über die heilende kraft von antioxidantien aus effektiven mikroorganismen shigeru tanaka 0 00 0

*em x heilende kraft antioxidantien von tanaka shigeru zvak* - Dec 30 2022

web em x über die heilende kraft von antioxidantien aus effektiven mikroorganismen em Übers bernd göhring von tanaka shigeru und eine große auswahl ähnlicher bücher kunst und sammlerstücke erhältlich auf zvak com

**9783941383036 em x Über die heilende kraft von antioxidantien** - Jan 31 2023

web em x Über die heilende kraft von antioxidantien aus effektiven mikroorganismen finden sie alle bücher von shigeru

tanaka bei der büchersuchmaschine eurobuch com können sie antiquarische und neubücher vergleichen und sofort zum bestpreis bestellen 9783941383036 broschiertes buchdr tanaka berichtet

**em x uber die heilende kraft von antioxidantien a pdf** - Feb 17 2022

web em x uber die heilende kraft von antioxidantien a 5 5 psychoanalytic situation by donald kalsched in the footsteps of eranos by p kugler h kawai d miller g quispel r hinshaw the self the symbolic and synchronicity by george hogenson memory and emergence by john dourley bild metaphor symbol an der grenze der

**em x die heilende kraft von ab 8 53** - Jul 25 2022

web em x die heilende kraft von antioxidantien aus effektiven mikroorganismen shigeru tanaka 2010 isbn 9783941383036 neuware er berichtet über fälle aus der krebstherapie über die behandlung bei diabetes und rheuma sowie einer vielzahl von anderen beschwerden deren verbesserungen er mit der wirkungsweise der

**em x Über die heilende kraft von antioxidantien aus effektiven** - Sep 07 2023

web em x Über die heilende kraft von antioxidantien aus effektiven mikroorganismen Über die heilende kraft von antioxidantien aus effektiven mikroorganismen beispiele aus der klinischen praxis tanaka shigeru lubitz monika isbn 9783941383036 kostenloser versand für alle bücher mit versand und verkauf duch amazon

*free em x uber die heilende kraft von antioxidantien a* - Aug 06 2023

web em x uber die heilende kraft von antioxidantien a der einfluß von antioxidantien auf die sekretion von granulocytan may 23 2020 wissenschaftler und athleten weiterhin uneinig sind em x nov 21 2022 stellenwert von antioxidantien beim diabetes mellitus feb 24 2023 effect of antioxidants on endothelial cell reactive oxygen species roi

em x Über die heilende kraft von antioxidantien aus effektiven - Apr 02 2023

web fachbuch medizin pharmazie studium humanmedizin klinischer studienabschnitt querschnittsbereiche 14 90 inkl mwst versandkostenfrei kostenloser rückversand sofort lieferbar in den warenkorb 0 p sammeln shigeru tanaka em x Über die heilende kraft von antioxidantien aus effektiven mikroorganismen Übersetzung lubitz monika

**9783941383036 em x Über die heilende kraft von antioxidantien** - Jun 04 2023

web em x Über die heilende kraft von antioxidantien aus effektiven mikroorganismen Über die heilende kraft von antioxidantien aus effektiven mikroorganismen beispiele aus der klinischen praxis finden sie alle bücher von tanaka shigeru bei der büchersuchmaschine eurobuch de können sie antiquarische und neubücher

**em x Über die heilende kraft von antioxidantien aus effektiven** - Oct 08 2023

web em x Über die heilende kraft von antioxidantien aus effektiven mikroorganismen gebundene ausgabe 1 august 2007 japanisch ausgabe von shigeru tanaka autor bernd göhring Übersetzer 4 2 18 sternbewertungen alle formate und editionen anzeigen gebundenes buch 1 88 17 gebraucht ab 1 88

**em x shigeru tanaka 629** - Nov 28 2022

web em x shigeru tanaka in diesem buch erzählt dr shigeru tanaka über die heilende kraft von antioxidanzien aus den effektiven mikroorganismen und zeigt beispiele aus der klinischen praxis auf der japanische arzt berichtet über seine ersten erfahrungen mit em x die er in seiner klinik in der stadt wako seit den 1990er jahren mit vielen

*em x Über die heilende kraft von antioxidanzien aus effektiven* - Sep 26 2022

web em x Über die heilende kraft von antioxidanzien aus effektiven mikroorganismen isbn kostenloser versand für alle bücher mit versand und verkauf duch amazon

the cell a molecular approach cooper geoffrey m - Jul 17 2023

web for instructors who want to flip their classrooms or just get students more engaged the cell a molecular approach is the only cell biology text that is accompanied by an active learning guide this chapter by chapter playbook shows instructors how to create a dynamic learning environment with in class exercises clicker questions and links

*the cell a molecular approach 2nd edition ghent university* - Jul 05 2022

web geoffrey m cooper reference details details citing for librarians for developers permalink lib ugent be catalog ebk01 345000000002155 title the cell a molecular approach 2nd edition isbn 0 87893 106 6 author cooper geoffrey m publisher sinauer associates 2000 e location

**the cell a molecular approach google books** - Apr 02 2022

web the cell a molecular approach robert e hausman oxford university press incorporated 2016 832 pages teaching cell biology can be a daunting task because the field is so vast and

the cell a molecular approach numerade - Mar 01 2022

web the cell a molecular approach geoffrey m cooper 8th edition isbn 9781605357072 375 questions 2 919 students work from this textbook upgrade now access all answers and videos in our library of books try now for free introduction to cells and cell research

**the cell geoffrey cooper kenneth adams oxford university press** - Dec 10 2022

web oct 26 2022 description the cell a molecular approach is an ideal resource for undergraduate students in a one semester introduction to cell biology cell biology instructors face the challenge of cultivating both the foundational knowledge and analytical skills that students need for their entry into an increasingly complex field the cell a

the cell a molecular approach google books - Oct 08 2022

web the cell seventh edition provides a balance of concepts and details that meets the needs of today s students and their teachers written by an active scientist and experienced educator this

*the cell a molecular approach geoffrey m cooper google books* - Jan 11 2023

web the cell a molecular approach volume 10 free online access pubmed the cell a molecular approach geoffrey m cooper author geoffrey m cooper edition 2 illustrated

[the cell a molecular approach cooper geoffrey m free](#) - Jan 31 2022

web the cell a molecular approach by cooper geoffrey m publication date 2004 topics because molecular and cellular biology is such an exciting and rapidly moving area of science teaching it at the undergraduate level is a rewarding yet challenging task this book meets this challenge by providing students with not only the most current

[the cell paperback geoffrey cooper oxford university press](#) - Aug 18 2023

web jun 20 2019 the cell a molecular approach is the only one semester introduction to cell biology text built around learning objectives and the only text to incorporate in text and online data analysis problems written by an experienced author and instructor the unique four part structure of this text provides comprehensive coverage from fundamental

**the cell geoffrey cooper oxford university press** - May 15 2023

web oct 9 2018 the cell a molecular approach eighth edition geoffrey cooper sinauer associates is an imprint of oxford university press ideally suited in length and complexity for sophomore and junior level courses at the undergraduate level precise amount of coverage for pre med and other students in healthcare related majors can be covered

[the cell a molecular approach geoffrey m cooper google](#) - Jun 16 2023

web geoffrey m cooper asm press 2000 cd roms 689 pages the cell a molecular approach second edition combines current comprehensive science with the readability and cohesiveness of a

*the cell a molecular approach geoffrey m cooper google* - Mar 13 2023

web the first edition of the cell a molecular approach published in 1997 offered the perfect solution for teachers and their students current comprehensive science combined with the

*the cell a molecular approach geoffrey m cooper google* - Nov 09 2022

web with just enough detail for a one semester sophomore junior level course the cooper 8e text presents fundamental concepts and current research including chapters on genomics and

**the cell a molecular approach wiley online library** - Dec 30 2021

web the cell a molecular approach edited by g h cooper pp 673 asm press washington dc sinauer associates sunderland ma 1997 isbn 0 87893 119 8 as most schoolchildren are nowadays aware the cell is the basic structural and functional unit of which all living organisms are constructed

**the cell a molecular approach cooper geoffrey m free** - Aug 06 2022

web the cell a molecular approach by cooper geoffrey m publication date 2000 topics cellular biology molecular biology microchemistry science science mathematics general life sciences biology molecular biology life sciences cytology cytology

molecular biology publisher

[the cell a molecular approach by geoffrey m cooper goodreads](#) - Sep 07 2022

web geoffrey m cooper robert e hausman 4 10 248 ratings13 reviews asm press boston univ ma textbook for one semester undergraduate course on cell and molecular biology covers evolution of cells and the fundamentals of molecular biology genome organization and sequences cell structure and function and cell regulation previous c2000

**the cell a molecular approach cooper geoffrey m free** - Jun 04 2022

web an overview of cells and cell research the composition of cells cell metabolism fundamentals of molecular biology the organization and sequences of cellular genomes replication maintenance and rearrangements of genomic dna rna synthesis and processing protein synthesis processing and regulation the nucleus protein

**the cell hardcover geoffrey cooper oxford university press** - Apr 14 2023

web oct 9 2018 the cell a molecular approach eighth edition geoffrey cooper publication date 09 october 2018 isbn 9781605357072 816 pages hardcover 8 5 x 10 875 inches in stock the only one semester introduction to cell biology text built around learning objectives and the only text to incorporate in text and online data analysis

[the cell a molecular approach worldcat org](#) - May 03 2022

web the cell a molecular approach author geoffrey m cooper summary a color illustrated textbook broken into four sections background on cell evolution study and chemistry molecular biology cell structure and function and cell regulation ebook english 2000 edition 2nd ed view all formats and editions

**the cell a molecular approach pmc national center for** - Feb 12 2023

web dec 12 2014 the cell a molecular approach is a helpful resource for understanding the basic science of cellular and molecular biology the book has four main parts each of which include several chapters discussing the various aspects of

**millionaire marketing on a shoestring budget bonus 8** - Aug 26 2022

web millionaire marketing on a shoestring budget bonus 8 success principles for engaging and building rewarding social networking relationships let s get engaged no i m not proposing wedded bliss what i m talking about is the art of engagement when interacting on social networks

**marketing on a shoestring budget medium** - Mar 01 2023

web dec 7 2022 luckily there are still ways to get your message out there without breaking the bank let s take a look at some of the ways you can maximize your reach on a shoestring budget 1 analyze your audience your marketing plan should take its lead from this the first thing you should do is take an in depth look at your target audience

**millionaire marketing on a shoestring budget how to attract a** - Aug 06 2023

web buy millionaire marketing on a shoestring budget how to attract a steady stream of happy clients make more money and

live your dream by jason debra online on amazon ae at best prices fast and free shipping free returns cash on delivery available on eligible purchase

marketing on a shoestring budget - Oct 28 2022

web luckily there are ways to market even if you don t have a million dollar budget marketing on a shoestring budget takes some work but it is doable better still your marketing efforts can be wildly rewarding if you use one or more of the following six tips 1 make content marketing a priority

*buy millionaire marketing on a shoestring budget how to attract* - Nov 28 2022

web amazon in buy millionaire marketing on a shoestring budget how to attract a steady sream of happy clients make more money and live your dreams how to attract a

**praise for millionaire marketing on a shoestring budget** - May 23 2022

web millionaire marketing on a shoestring budget how to attract a steady stream of happy clients make more money and live your dream

**how and why to market your business on a shoestring budget** - Dec 30 2022

web oct 17 2021 even companies on shoestring budgets can execute great marketing campaigns effective social media presence and content marketing can help you hold on to current customers they can let you each new ones as well

how to market your business on a shoestring budget emyth - Sep 26 2022

web marketing your business on a shoestring budget requires the same strategic thinking and planning even if you are engaged in a no cost activity to promote your company or generate leads it will still exact a cost of time and effort

*millionaire marketing on a shoestring budget* - Oct 08 2023

web millionaire marketing on a shoestring budget is your road map to help you increase your odds of business success order your copy now and get ready to start attracting a steady stream of happy clients make more money and live your dream

**millionaire marketing on a shoestring budget how to attract a** - Sep 07 2023

web jan 15 2015 millionaire marketing on a shoestring budget how to attract a steady stream of happy clients make more money and live your dream kindle edition by debra jason author joel comm foreword format kindle edition 4 7 70 ratings

how to do marketing on a shoestring budget - May 03 2023

web regardless of the size of your business email marketing can be an efficient way to do marketing on a shoestring budget for every 1 you spend you should expect a return of about 32 with a smart approach a 100 word email

**profitability millionaire marketing on a shoestring budget** - Mar 21 2022

web ruth king talks to debra jason about her book millionaire marketing on a shoestring budgetfull interview at profitabilityrevolution com debra jasonlin

**six ways to market your business on a shoestring budget** - Jun 23 2022

web may 30 2019 6 ways to market your business on a shoestring budget tom werner taxi getty images by amanda mccormick updated on 05 30 19 is a marketing plan only for people with lots money to spend on a multi faceted advertising program not necessarily check out these tips for maximizing your exposure even when you have a [millionaire marketing on a shoestring budget write direction](#) - Apr 02 2023

web millionaire marketing on a shoestring budget discovers ways from press releases to social media to affordably market your business

*millionaire marketing on a shoestring budget youtube* - Jul 25 2022

web she wrote the best selling book millionaire marketing on a shoestring budg debra jason is an author speaker copywriter mentor and marketing consultant

*loading interface goodreads* - Feb 17 2022

web discover and share books you love on goodreads

[13 marketing strategies that work on a shoestring budget forbes](#) - Jul 05 2023

web aug 29 2019 below 13 members of forbes new york business council offer their best advice to small businesses regarding marketing strategies that can work on shoestring budgets and why small business

**21 ways to market your small business on a shoestring budget** - Jan 31 2023

web oct 6 2023 thinking of ways to market your small business can be overwhelming especially considering the cost and return on investment big companies spend millions of dollars every year marketing and building their businesses small businesses have a similar need to get the word out but have much more modest budgets

*millionaire marketing on a shoestring budget how to attract a* - Jun 04 2023

web millionaire marketing on a shoestring budget how to attract a steady stream of happy clients make more money and live your dream jason debra amazon com be livres

[millionaire marketing on a shoestring budget how to attract a](#) - Apr 21 2022

web achetez et téléchargez ebook millionaire marketing on a shoestring budget how to attract a steady stream of happy clients make more money and live your dream english edition boutique kindle entrepreneurship amazon fr