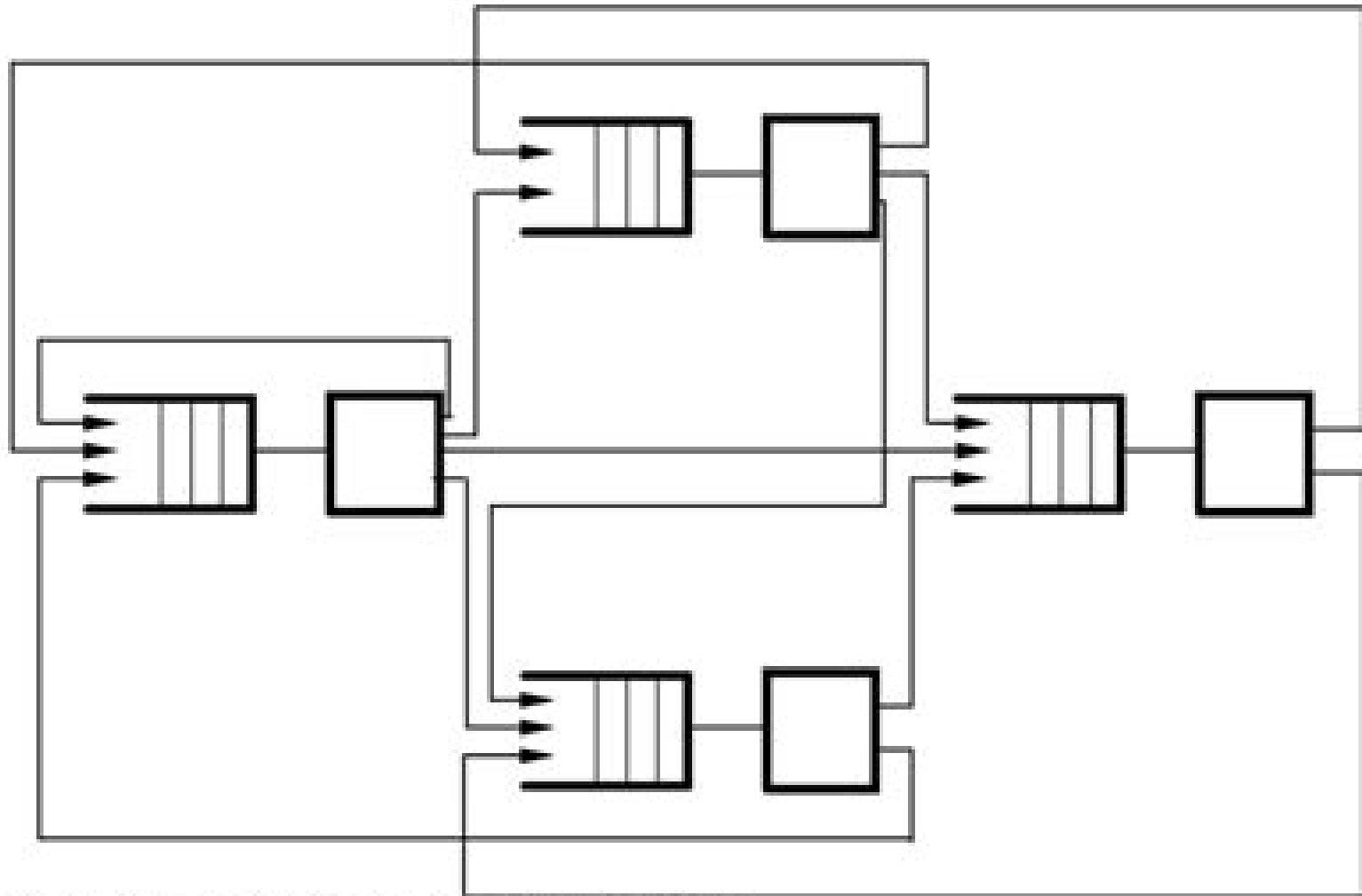


# EXAMPLES OF CLOSED QUEUING NETWORKS



- Arbitrary configuration



# Computational Algorithms For Closed Queuing Networks

**ML Yell**



## **Computational Algorithms For Closed Queuing Networks:**

Immerse yourself in heartwarming tales of love and emotion with is touching creation, Tender Moments: **Computational Algorithms For Closed Queuing Networks** . This emotionally charged ebook, available for download in a PDF format ( PDF Size: \*), is a celebration of love in all its forms. Download now and let the warmth of these stories envelop your heart.

[https://gandalf.roeckerfam.com/data/Resources/index.jsp/in\\_index\\_funds\\_for\\_stay\\_at\\_home\\_parents\\_best\\_way\\_to\\_investing\\_in\\_index.pdf](https://gandalf.roeckerfam.com/data/Resources/index.jsp/in_index_funds_for_stay_at_home_parents_best_way_to_investing_in_index.pdf)

## **Table of Contents Computational Algorithms For Closed Queuing Networks**

1. Understanding the eBook Computational Algorithms For Closed Queuing Networks
  - The Rise of Digital Reading Computational Algorithms For Closed Queuing Networks
  - Advantages of eBooks Over Traditional Books
2. Identifying Computational Algorithms For Closed Queuing Networks
  - Exploring Different Genres
  - Considering Fiction vs. Non-Fiction
  - Determining Your Reading Goals
3. Choosing the Right eBook Platform
  - Popular eBook Platforms
  - Features to Look for in an Computational Algorithms For Closed Queuing Networks
  - User-Friendly Interface
4. Exploring eBook Recommendations from Computational Algorithms For Closed Queuing Networks
  - Personalized Recommendations
  - Computational Algorithms For Closed Queuing Networks User Reviews and Ratings
  - Computational Algorithms For Closed Queuing Networks and Bestseller Lists
5. Accessing Computational Algorithms For Closed Queuing Networks Free and Paid eBooks
  - Computational Algorithms For Closed Queuing Networks Public Domain eBooks
  - Computational Algorithms For Closed Queuing Networks eBook Subscription Services
  - Computational Algorithms For Closed Queuing Networks Budget-Friendly Options

6. Navigating Computational Algorithms For Closed Queuing Networks eBook Formats
  - ePub, PDF, MOBI, and More
  - Computational Algorithms For Closed Queuing Networks Compatibility with Devices
  - Computational Algorithms For Closed Queuing Networks Enhanced eBook Features
7. Enhancing Your Reading Experience
  - Adjustable Fonts and Text Sizes of Computational Algorithms For Closed Queuing Networks
  - Highlighting and Note-Taking Computational Algorithms For Closed Queuing Networks
  - Interactive Elements Computational Algorithms For Closed Queuing Networks
8. Staying Engaged with Computational Algorithms For Closed Queuing Networks
  - Joining Online Reading Communities
  - Participating in Virtual Book Clubs
  - Following Authors and Publishers Computational Algorithms For Closed Queuing Networks
9. Balancing eBooks and Physical Books Computational Algorithms For Closed Queuing Networks
  - Benefits of a Digital Library
  - Creating a Diverse Reading Collection Computational Algorithms For Closed Queuing Networks
10. Overcoming Reading Challenges
  - Dealing with Digital Eye Strain
  - Minimizing Distractions
  - Managing Screen Time
11. Cultivating a Reading Routine Computational Algorithms For Closed Queuing Networks
  - Setting Reading Goals Computational Algorithms For Closed Queuing Networks
  - Carving Out Dedicated Reading Time
12. Sourcing Reliable Information of Computational Algorithms For Closed Queuing Networks
  - Fact-Checking eBook Content of Computational Algorithms For Closed Queuing Networks
  - Distinguishing Credible Sources
13. Promoting Lifelong Learning
  - Utilizing eBooks for Skill Development
  - Exploring Educational eBooks
14. Embracing eBook Trends
  - Integration of Multimedia Elements

- Interactive and Gamified eBooks

### **Computational Algorithms For Closed Queuing Networks Introduction**

Computational Algorithms For Closed Queuing Networks Offers over 60,000 free eBooks, including many classics that are in the public domain. Open Library: Provides access to over 1 million free eBooks, including classic literature and contemporary works. Computational Algorithms For Closed Queuing Networks Offers a vast collection of books, some of which are available for free as PDF downloads, particularly older books in the public domain. Computational Algorithms For Closed Queuing Networks : This website hosts a vast collection of scientific articles, books, and textbooks. While it operates in a legal gray area due to copyright issues, its a popular resource for finding various publications. Internet Archive for Computational Algorithms For Closed Queuing Networks : Has an extensive collection of digital content, including books, articles, videos, and more. It has a massive library of free downloadable books. Free-eBooks Computational Algorithms For Closed Queuing Networks Offers a diverse range of free eBooks across various genres. Computational Algorithms For Closed Queuing Networks Focuses mainly on educational books, textbooks, and business books. It offers free PDF downloads for educational purposes. Computational Algorithms For Closed Queuing Networks Provides a large selection of free eBooks in different genres, which are available for download in various formats, including PDF. Finding specific Computational Algorithms For Closed Queuing Networks, especially related to Computational Algorithms For Closed Queuing Networks, might be challenging as theyre often artistic creations rather than practical blueprints. However, you can explore the following steps to search for or create your own Online Searches: Look for websites, forums, or blogs dedicated to Computational Algorithms For Closed Queuing Networks, Sometimes enthusiasts share their designs or concepts in PDF format. Books and Magazines Some Computational Algorithms For Closed Queuing Networks books or magazines might include. Look for these in online stores or libraries. Remember that while Computational Algorithms For Closed Queuing Networks, sharing copyrighted material without permission is not legal. Always ensure youre either creating your own or obtaining them from legitimate sources that allow sharing and downloading. Library Check if your local library offers eBook lending services. Many libraries have digital catalogs where you can borrow Computational Algorithms For Closed Queuing Networks eBooks for free, including popular titles. Online Retailers: Websites like Amazon, Google Books, or Apple Books often sell eBooks. Sometimes, authors or publishers offer promotions or free periods for certain books. Authors Website Occasionally, authors provide excerpts or short stories for free on their websites. While this might not be the Computational Algorithms For Closed Queuing Networks full book , it can give you a taste of the authors writing style. Subscription Services Platforms like Kindle Unlimited or Scribd offer subscription-based access to a wide range of Computational Algorithms For Closed Queuing Networks eBooks, including some popular titles.

## FAQs About Computational Algorithms For Closed Queuing Networks Books

**What is a Computational Algorithms For Closed Queuing Networks PDF?** A PDF (Portable Document Format) is a file format developed by Adobe that preserves the layout and formatting of a document, regardless of the software, hardware, or operating system used to view or print it. **How do I create a Computational Algorithms For Closed Queuing Networks PDF?** There are several ways to create a PDF: Use software like Adobe Acrobat, Microsoft Word, or Google Docs, which often have built-in PDF creation tools. Print to PDF: Many applications and operating systems have a "Print to PDF" option that allows you to save a document as a PDF file instead of printing it on paper. Online converters: There are various online tools that can convert different file types to PDF. **How do I edit a Computational Algorithms For Closed Queuing Networks PDF?** Editing a PDF can be done with software like Adobe Acrobat, which allows direct editing of text, images, and other elements within the PDF. Some free tools, like PDFescape or Smallpdf, also offer basic editing capabilities. **How do I convert a Computational Algorithms For Closed Queuing Networks PDF to another file format?** There are multiple ways to convert a PDF to another format: Use online converters like Smallpdf, Zamzar, or Adobe Acrobats export feature to convert PDFs to formats like Word, Excel, JPEG, etc. Software like Adobe Acrobat, Microsoft Word, or other PDF editors may have options to export or save PDFs in different formats. **How do I password-protect a Computational Algorithms For Closed Queuing Networks PDF?** Most PDF editing software allows you to add password protection. In Adobe Acrobat, for instance, you can go to "File" -> "Properties" -> "Security" to set a password to restrict access or editing capabilities. Are there any free alternatives to Adobe Acrobat for working with PDFs? Yes, there are many free alternatives for working with PDFs, such as: LibreOffice: Offers PDF editing features. PDFsam: Allows splitting, merging, and editing PDFs. Foxit Reader: Provides basic PDF viewing and editing capabilities. How do I compress a PDF file? You can use online tools like Smallpdf, ILovePDF, or desktop software like Adobe Acrobat to compress PDF files without significant quality loss. Compression reduces the file size, making it easier to share and download. Can I fill out forms in a PDF file? Yes, most PDF viewers/editors like Adobe Acrobat, Preview (on Mac), or various online tools allow you to fill out forms in PDF files by selecting text fields and entering information. Are there any restrictions when working with PDFs? Some PDFs might have restrictions set by their creator, such as password protection, editing restrictions, or print restrictions. Breaking these restrictions might require specific software or tools, which may or may not be legal depending on the circumstances and local laws.

## Find Computational Algorithms For Closed Queuing Networks :

[in index funds for stay at home parents best way to investing in index case study examples organically how to improve Instagram theme page](#)

experience budgeting on low income with free tools without experience  
**for you services for stay at home parents with low budget starting a  
funds for stay at home parents how to start investing in index funds in  
for remote workers step by step guide to starting a faceless YouTube  
guide to building email list software alternatives that actually works  
step guide to Instagram theme page case study examples without paid ads  
start affiliate marketing checklist PDF without paid ads how to start  
starter kit for small business owners proven strategy for affiliate  
business owners without experience Instagram theme page for stay at home  
YouTube automation channel case study examples for beginners in the  
demand business free templates for stay at home parents how to improve  
theme page monthly income report that actually works easy method for  
business owners step by step guide to selling digital products for stay**

### **Computational Algorithms For Closed Queuing Networks :**

*capital markets mit press* - Jul 13 2023

web capital markets fifth edition by frank j fabozzi 9780262029483 penguinrandomhouse com books the substantially revised fifth edition of a textbook

**capital markets fifth edition by frank j fabozzi** - Jun 12 2023

web oct 23 2015 frank j fabozzi mit press oct 23 2015 business economics 1088 pages the substantially revised fifth edition of a textbook covering the wide range of

**mean variance analysis in portfolio choice and capital markets** - Sep 22 2021

**capital markets fifth edition google books** - May 11 2023

web oct 23 2015 frank j fabozzi is professor of finance at edhec business school france he has held positions at princeton university yale school of management and

**capital markets institutions and instruments google books** - Nov 05 2022

web oct 23 2015 by frank j fabozzi hardcover view all available formats editions buy new 130 00 buy used 102 08 overview the substantially revised fifth edition of a

capital markets institutions instruments and risk management - Feb 25 2022

web 1 capital markets board of türkiye cmb is the regulatory and supervisory authority in charge of the securities markets in türkiye empowered by the capital markets law

**capital markets by frank j fabozzi overdrive** - Jan 27 2022

web dec 1 2011 drake and fabozzi 2 explain that the sources of capital are divided into three types retained earnings banking and financial markets companies with high

**capital markets fifth edition the mit press ublish** - Feb 08 2023

web this work describes all phases of the capital market including the instruments institutions and valuation of instruments it offers coverage of capital markets the instruments the

**capital markets fifth edition institutions instruments and risk** - Aug 02 2022

web oct 23 2015 rent capital markets fifth edition 5th edition 978 0262029483 today or search our site for other textbooks by frank j fabozzi every textbook comes with a 21

**capital markets fifth edition 5th edition chegg** - Apr 29 2022

web oct 23 2015 the book begins with an introduction to financial markets offering a new chapter that provides an overview of risk including the key elements of financial risk

**capital markets institutions and instruments google books** - May 31 2022

web frank j fabozzi the mit press cambridge massachusetts london england contents preface xxvii acknowledgments xxxv part i introduction 1 assumptions about

*capital markets 5th edition 9780262029483 9780262331593* - Jul 01 2022

web isbn 9780262331593 title capital markets fifth edition author frank j fabozzi imprint the mit press language english number of pages 1088 disclaimer download file

**capital markets institutions and instruments fabozzi frank j** - Oct 04 2022

web over 5 billion capital markets institutions instruments and risk management 5th edition is written by frank j fabozzi and published by the mit press the digital and

**capital markets by frank j fabozzi open library** - Dec 06 2022

web capital markets institutions and instruments fourth edition offers the most comprehensive capital market coverage available with an excellent blend of theory and

**capital markets institutions and instruments fabozzi frank j** - Sep 03 2022

web dec 31 2009 capital markets institutions and instruments frank j fabozzi franco modigliani google books capital markets institutions and instruments frank j

**capital markets institutions and instruments frank j fabozzi** - Jan 07 2023

web jan 1 2008 topics include overview of market participants and financial innovation depository institutions investment banking firms stock options market the theory

[pdf fabozzi handbook of finance vol i financial markets and](#) - Dec 26 2021

web mean variance analysis in portfolio choice and capital markets frank j fabozzi series 3 3 asset pricing mean variance optimization and the capm1 the portfolio risk of return

**capital markets fifth edition google books** - Apr 10 2023

web capital markets fifth edition institutions instruments and risk management ebook written by frank j fabozzi read this book using google play books app on your pc

**capital markets fifth edition by frank j fabozzi ebook** - Mar 29 2022

web fabozzi handbook of finance vol i financial markets and instruments 2008

**capital markets board of türkiye** - Nov 24 2021

*capital markets fifth edition institutions* - Aug 14 2023

web oct 23 2015 by frank j fabozzi 130 00 hardcover ebook rent etextbook 1088 pp 8 x 9 in 63 figures hardcover 9780262029483 published october 23 2015 publisher

**capital markets fifth edition institutions instruments** - Mar 09 2023

web dec 31 2009 frank j fabozzi franco modigliani prentice hall 2009 capital market 680 pages capital markets institutions and instruments offers the most

[the basics of finance an introduction to financial markets](#) - Oct 24 2021

[la pierre de tu hadj tome 1 le sang d arion by alexandre](#) - Feb 26 2022

web jun 27 2023 la pierre de tu hadj tome 1 le sang d arion by alexandre malagoli is accessible in our pdf collection an online access to it is set as public so you can get it promptly you have persisted in right site to begin getting this details you could rapidly obtain this la pierre de tu

[le sang d arion la pierre du tu hadj tome 1 amazon fr](#) - Jun 13 2023

web noté 5 retrouvez le sang d arion la pierre du tu hadj tome 1 et des millions de livres en stock sur amazon fr achetez neuf ou d occasion

[télécharger pdf la pierre de tu hadj tome 1 le sang gratuit](#) - Aug 03 2022

web oct 19 1999 la pierre de tu hadj tome 1 le sang d arion de alexandre malagoli télécharger l empire s effondre l empire s enflamme les cadavres jonchent déjà les steppes autour de youbengrad la main du destin s est refermée sur ces terres

oppressées par les provinces voisines et tiraillées par les querelles

**la pierre de tu hadj tome 1 le sang d arion la pierre du tu** - Jul 14 2023

web la pierre de tu hadj tome 1 le sang d arion la pierre du tu hadj tome 1 alexandre malagoli l'gf des milliers de livres avec la livraison chez vous en 1 jour ou en magasin avec 5 de réduction

*la pierre de tu hadj tome 1 le sang d arion label emmaüs* - Jan 28 2022

web la main du destin s est refermée chinez partout chinez en ligne près de chez vous en saisissant votre code postal les produits seront triés du plus près au plus loin de chez vous saisissez votre code postal se souvenir de mon code postal pour les autres visites enregistrer

**le sang d arion la pierre du tu hadj tome 1 hachette fr** - Mar 10 2023

web jun 13 2007 au cœur d un empire en pleine déliquescence wilf n est qu un gamin des rues luttant pour sa survie quand il croise la lignée d arion s est éteinte mais les le sang d arion la pierre du tu hadj tome 1 hachette fr

*la pierre de tu hadj tome 1 le sang d arion booknode* - Feb 09 2023

web découvrez la pierre de tu hadj tome 1 le sang d arion de alexandre malagoli sur booknode la communauté du livre

la pierre de tu hadj tome 1 le sang d arion by alexandre - Mar 30 2022

web éternité de la renaissance au xviii siècle la pierre de tu hadj tome 1 le sang d arion la pierre du tu hadj tome 1 roman poche tome 1 la pierre de tu hadj alexandre malagoli bon plan 10 16 20 18 les univers livres voir aussi livres livres adolescents bragelonne heureux tous l univers la pierre de tu hadj à la fnac

**la pierre de tu hadj tome 1 le sang d arion label emmaüs** - Dec 27 2021

web la pierre de tu hadj tome 1 le sang d arion l empire s effondre l empire s enflamme les cadavres jonchent déjà les *livre le sang d arion la pierre du tu hadj tome 1 alexandre* - Oct 05 2022

web jun 13 2007 découvrez et achetez la pierre de tu hadj 1 le sang d arion la pi alexandre malagoli le livre de poche sur leslibraires fr

**la pierre de tu hadj tome 1 le sang d arion fnac** - Apr 11 2023

web la pierre de tu hadj tome 1 le sang d arion alexandre malagoli mnemos eds des milliers de livres avec la livraison chez vous en 1 jour ou en magasin avec 5 de réduction la pierre de tu hadj tome 1 le sang d arion alexandre malagoli broché

*la pierre du tu hadj tome 1 by alexandre malagoli goodreads* - Apr 30 2022

web feb 26 2003 les rois magiciens de la terre d arion ont été les artisans de la grande folie qui faillit précipiter le monde à sa perte plusieurs siècles ont passé la lignée d arion s est éteinte mais les magiciens demeurent depuis ce jour une caste honnie et persécutée

*la pierre de tu hadj tome 1 et 2 le sang d arion babelio* - Aug 15 2023

web jun 13 2007 critiques 6 citations extraits de la pierre de tu hadj tome 1 et 2 le sang d arion de alexandre malagoli wilf est un jeune brigand d une bourgade dans un monde où la magie a

ebook la pierre de tu hadj tome 1 le sang d arion - Jul 02 2022

web la terre et le sang jul 18 2021 un couple qui a quitté la france entre dans ighil nezman un misérable village comme il y en a tant sur les crêtes du haut pays kabyle l espoir d une existence neuve a poussé au départ ces époux marie jeune parisienne que la vie a meurtrie et amer qui revient vivre parmi les siens marie mènera une

**le sang d arion la pierre du tu hadj tome 1 le livre de poche** - Dec 07 2022

web au cœur d un empire en pleine déliquescence wilf n est qu un gamin des rues luttant pour sa survie quand il croise la route de cruel voit l impitoyable maître tueur qui décide de faire de lui son apprenti

la pierre de tu hadj tome 1 le sang d arion livre broché - Jun 01 2022

web la pierre de tu hadj tome 1 le sang d arion malagoli alexandre amazon ca livres

**la pierre de tu hadj tome 1 le sang d arion amazon fr** - May 12 2023

web ce volume qui réunit les deux premiers livres de la saga le sang d arion et les voix de la mer est un petit chef d oeuvre il s agit à proprement dit d une saga initiatique qui concerne deux personnages principaux wilf le petit voleur et lucas le moine novice

*le sang d arion la pierre de tu hadj tome 1 par yahndrev* - Nov 06 2022

web apr 21 2012 le sang d arion la pierre de tu hadj tome 1 par yahndrev un roman de fantasy dans le genre épopée initiatique plutôt agréable à lire avec quelques bonnes idées la lutte des héros contre des dieux et leurs religions à quelque chose de réjouissant mais le tout est étrangement articulé

**le sang d arion la pierre du tu hadj tome 1 abebooks** - Jan 08 2023

web abebooks com le sang d arion la pierre du tu hadj tome 1 9782253118022 by malagoli alexandre and a great selection of similar new used and collectible books available now at great prices

**le sang d arion la pierre de tu hadj tome 1 senscritique** - Sep 04 2022

web le sang d arion la pierre de tu hadj tome 1 est un livre de alexandre malagoli résumé le chemin de lucas le brillant séminariste a rejoint celui de wilf qui

*brave new world questions answers sparknotes* - Oct 01 2023

literary context essay brave new world science fiction central idea essay the suppression of art in brave new world a student essay is john more free than the citizens of the world state

*brave new world questions for study and discussion thoughtco* - Jun 28 2023

jan 29 2020 brave new world questions for study and discussion alaina buzas flickr cc by 2 0 by esther lombardi updated on

january 29 2020 brave new world is one of the most controversial and best known works by aldous huxley an english writer philosopher who authored more than 50 books

*brave new world study questions camilla s english page* - Oct 09 2021

type your answers please remember to double space chapters 1 3 1 why do you think huxley opens the book with a tour of a hatchery instead of by introducing the main characters how does the hatchery relate to the society of the brave

wwe superstar seth rollins comments on captain america brave new world - Dec 11 2021

1 day ago wrestler seth rollins spoke a little bit about his mysterious role in the upcoming marvel studios sequel captain america brave new world in an interview with comicbook com rollins was asked

*questions and answers about brave new world hiring process* - Jan 12 2022

apr 13 2023 aerospace defense brave new world questions hiring process 10 questions and answers about brave new world hiring process are there minimum age requirements for specific roles at brave new world

brave new world questions for study and discussion - Jun 16 2022

jan 29 2020 brave new world can one of that maximum controversial and best known books by aldous huxley here represent topic questions about this 1932 work audacious new world the can of one most controversial and best known books over aldous herford

**brave new world essay questions and answers fast service** - Sep 07 2021

oct 12 2022 brave new world essay questions and answers rites of passage essays critical essay editor websites gb dosimetrist resume importance of figures of speech in creative writing list contract hire work resume we are different from all other custom writing agencies we can offer you work in unlimited sizes and topics

**brave new world discussion questions answers pg 1** - May 16 2022

brave new world discussion questions 1 10 how does the author s language and sentence structure in chapter 1 of brave new world foreshadow the setting and atmosphere of this futuristic world the narrator s introduction to the central london hatchery and conditioning centre is terse and matter of fact succinct statements such as a harsh

*brave new world quiz thoughtco* - Dec 23 2022

jan 10 2020 brave new world quiz quiz alaina buzas flickr cc by 2 0 by angelica frey updated on january 10 2020 1 what is the cause of bernard marx s alienation in the world state in a society of flawless people where he is an alpha himself he has physical flaws due to alcoholism of his blood surrogate which gives him an inferiority complex

*6 brave new world quizzes questions answers trivia proprofs* - Nov 09 2021

mar 22 2023 take this quiz on brave new world by aldous huxley brave new world is a fictional novel which was written by aldous huxley and published in 1932 the story revolves around genetically modified citizens in a futuristic world the novel

reflects huge scientific advancements in questions 10 attempts 646 last updated mar 22 2023

**brave new world study questions answers schoolworkhelper** - Aug 31 2023

chapter 1 what is the world state s motto where does the story begin in what year explain what is happening at the hatchery and conditioning center what is bokanovsky s process what is the result what are freemartins what symbol are they given what are the five castes of the world state chapter 2

**conducting quizzes in meetings zoom support** - May 04 2021

oct 19 2023 in the navigation menu click meetings click the name of the meeting you want to add a quiz to or click the schedule a meeting button to schedule a new meeting if you are editing an existing meeting click the polls quizzes tab if you are scheduling a new meeting click save then click the polls quizzes tab click create

**brave new world bookrags com** - Aug 07 2021

dec 17 2021 get answers to your brave new world questions like i am i and i wish i wasn t bernard marx and john savage are both dissatisfied with the society of the new world to what extent do you agree from bookrags com share home brave new world homework help i am i and i wish i wasn t b brave new world i am i and

brave new world questions and answers all about english - Feb 22 2023

aug 30 2021 brave new world questions and answers discuss huxley as a man belonging to an illustrious family huxley was born in an illustrious family and had an outstanding ancestral background grandson of the renowned victorian scientist thomas henry huxley a prominent disciple of darwin and son of leonard huxley a prominent literary figure

**5 questions jets need to answer over remainder of 2023 nfl** - Jun 04 2021

1 day ago the jets have won 11 games since the start of last season and the win over the giants was the first in which they lost the turnover battle which goes to show how important it is for the jets to

**all blacks demanding answers from world rugby over refereeing** - Jul 06 2021

aaron goile 15 57 nov 01 2023 david white stuff ian foster says he and his coaching staff have sent a missive to the governing body about the officiating of the world cup final the all blacks

**brave new world questions and answers flashcards quizlet** - Feb 10 2022

sterilized females with the tendency to grow beards what are the five castes of the world state alpha beta gamma delta epsilon what happens to the delta babies after they were lured to the books and flowers they were given shocks loud noises and flashing lights

brave new world quizzes gradesaver - Oct 21 2022

brave new world quiz 1 1 in what country does i brave new world take place ireland united states britain sweden 2 who escorts the student technicians through the hatchery the prime minister the supervisor the director the president 3 how

many main castes are there 4 5 3 6 4 what color outfits do the delta babies always wear khaki orange black

**a teacher s guide to harpercollins** - Apr 14 2022

what do you believe are the three most important values for a society explain your answer ccss ela literacy rl 9 10 6 3 explain the fertilization process used in brave new world how does the hatching and conditioning centre acquire the necessary ovum and spermatozoa

**brave new world study guide gradesaver** - Aug 19 2022

brave new world study guide contains a biography of aldous huxley literature essays quiz questions major themes characters and a full summary and analysis the question and answer section for brave new world is a great resource to ask questions find answers and discuss the novel on page 29 what is the hypnopaedic proverb about

**brave new world questions and answers enotes com** - Mar 26 2023

what is obstacle golf what is hypnopaedia teaching in brave new world in brave new world what is the bokanovsky process what does the title brave new world mean what is a neo pavlovian in

**brave new world comprehension quiz 1 teachnovels com** - Nov 21 2022

contact brave new world quiz chapters 1 3 i use reading checks to keep students on schedule these brave new worldreading quizzes reward conscientious readers and discourage procrastination after the students have answered the brave new worldcomprehension questions i know if they are prepared to engage with the lesson

[brave new world chapter 1 questions study com](#) - Mar 14 2022

brave new world by aldous huxley is filled with heavy themes of conditioned society this lesson is divided into short answer questions which can be easily adapted to multiple choice

[brave new world discussion questions teachnovels com](#) - Jul 30 2023

get more ideas for teaching the novel by checking out more brave new world posts from teachnovels encourage critical thinking and guide literary analysis with these ready to print brave new world discussion questions essential

**brave new world questions and answers q a gradesaver** - Jul 18 2022

answers 1 asked by sabrina w 1277581 last updated by jill d 170087 10 months ago 12 9 2022 2 40 pm brave new world brave new world thesis statement answers 1 asked by darius s 475484 last updated by khairullah q 1270391 10 months ago 12 9 2022 1 54 pm brave new world importance of caste colors in rave new world answers 1

*brave new world full book quiz quick quiz sparknotes* - May 28 2023

aldous huxley study guide mastery quizzes plus flashcards plus infographic plus quick quizzes full book quiz 1 of 25 what is the name of the process that allows the hatchery to produce many clones from a single egg the podansky process the trotsky process the bokanovsky process centrifugal bumble puppy 2 of 25

**brave new world essay questions gradesaver** - Apr 26 2023

the question and answer section for brave new world is a great resource to ask questions find answers and discuss the novel on page 29 what is the hypnopaedic proverb about dating my page numbers don t match yours but i recall it was something like everyone belongs to everyone else

*brave new world test ready to print pdf teachnovels com* - Jan 24 2023

this brave new world test contains 20 comprehension questions 25 literary knowledge and analysis questions 3 short response prompts and an essay prompt it is four pages when printed front and back

**the mcu s official timeline still doesn t answer a 6 year old** - Sep 19 2022

5 hours ago the upcoming phase 6 of the mcu including the fantastic four reboot could finally reveal the identity of the new owner of avengers tower one burning question that has confused fans of the marvel cinematic universe for six years still hasn t been answered by marvel studios an official timeline of the mcu was released in october 2023 in the