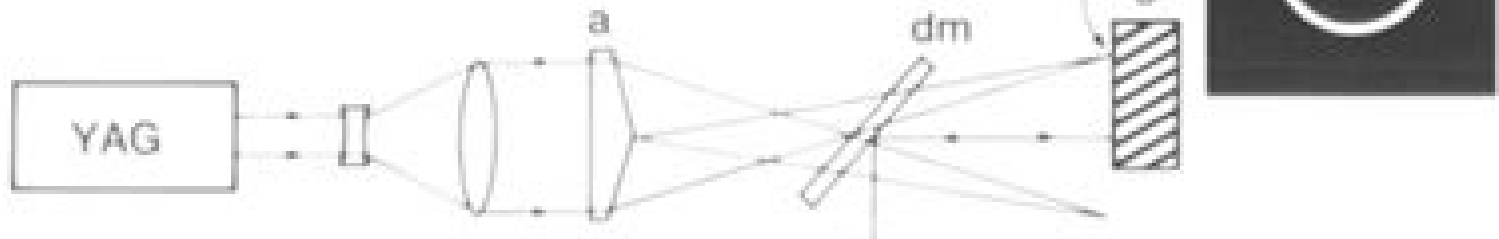


(a)

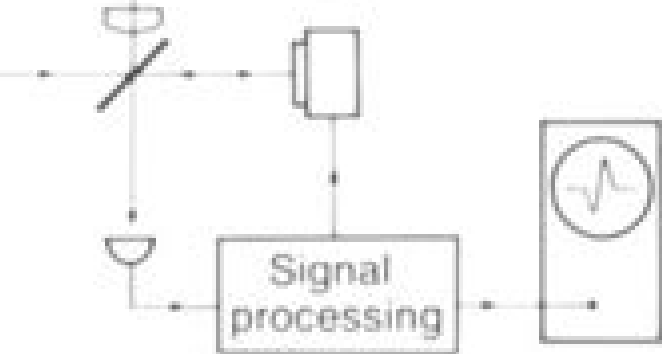


(b)

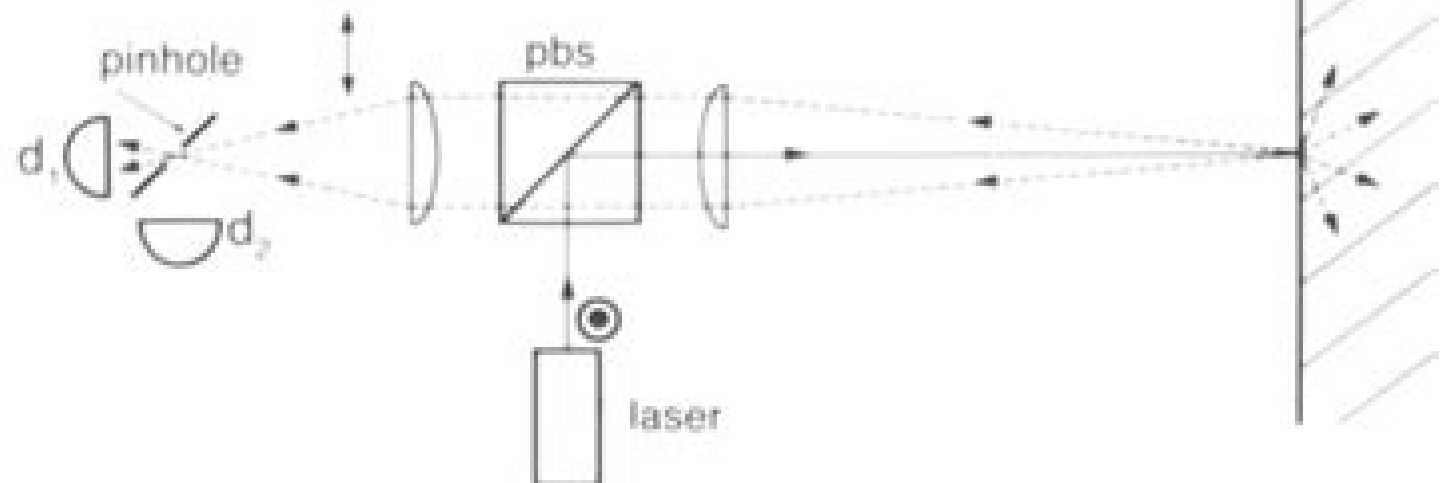
IR detector



He-Ne



(c)



Advanced Optical Techniques

Jianjun Gao



Advanced Optical Techniques:

This book delves into Advanced Optical Techniques. Advanced Optical Techniques is an essential topic that must be grasped by everyone, ranging from students and scholars to the general public. The book will furnish comprehensive and in-depth insights into Advanced Optical Techniques, encompassing both the fundamentals and more intricate discussions.

1. The book is structured into several chapters, namely:
 - Chapter 1: Introduction to Advanced Optical Techniques
 - Chapter 2: Essential Elements of Advanced Optical Techniques
 - Chapter 3: Advanced Optical Techniques in Everyday Life
 - Chapter 4: Advanced Optical Techniques in Specific Contexts
 - Chapter 5: Conclusion
2. In chapter 1, this book will provide an overview of Advanced Optical Techniques. The first chapter will explore what Advanced Optical Techniques is, why Advanced Optical Techniques is vital, and how to effectively learn about Advanced Optical Techniques.
3. In chapter 2, the author will delve into the foundational concepts of Advanced Optical Techniques. The second chapter will elucidate the essential principles that must be understood to grasp Advanced Optical Techniques in its entirety.
4. In chapter 3, the author will examine the practical applications of Advanced Optical Techniques in daily life. This chapter will showcase real-world examples of how Advanced Optical Techniques can be effectively utilized in everyday scenarios.
5. In chapter 4, the author will scrutinize the relevance of Advanced Optical Techniques in specific contexts. This chapter will explore how Advanced Optical Techniques is applied in specialized fields, such as education, business, and technology.
6. In chapter 5, the author will draw a conclusion about Advanced Optical Techniques. The final chapter will summarize the key points that have been discussed throughout the book.

The book is crafted in an easy-to-understand language and is complemented by engaging illustrations. It is highly recommended for anyone seeking to gain a comprehensive understanding of Advanced Optical Techniques.

<https://gandalf.roeckerfam.com/About/publication/HomePages/babies%20a%20lift%20the%20flap%20board.pdf>

Table of Contents Advanced Optical Techniques

1. Understanding the eBook Advanced Optical Techniques
 - The Rise of Digital Reading Advanced Optical Techniques
 - Advantages of eBooks Over Traditional Books
2. Identifying Advanced Optical Techniques
 - Exploring Different Genres
 - Considering Fiction vs. Non-Fiction
 - Determining Your Reading Goals
3. Choosing the Right eBook Platform
 - Popular eBook Platforms
 - Features to Look for in an Advanced Optical Techniques
 - User-Friendly Interface
4. Exploring eBook Recommendations from Advanced Optical Techniques
 - Personalized Recommendations
 - Advanced Optical Techniques User Reviews and Ratings
 - Advanced Optical Techniques and Bestseller Lists
5. Accessing Advanced Optical Techniques Free and Paid eBooks
 - Advanced Optical Techniques Public Domain eBooks
 - Advanced Optical Techniques eBook Subscription Services
 - Advanced Optical Techniques Budget-Friendly Options
6. Navigating Advanced Optical Techniques eBook Formats
 - ePub, PDF, MOBI, and More
 - Advanced Optical Techniques Compatibility with Devices
 - Advanced Optical Techniques Enhanced eBook Features
7. Enhancing Your Reading Experience
 - Adjustable Fonts and Text Sizes of Advanced Optical Techniques
 - Highlighting and Note-Taking Advanced Optical Techniques
 - Interactive Elements Advanced Optical Techniques
8. Staying Engaged with Advanced Optical Techniques

- Joining Online Reading Communities
 - Participating in Virtual Book Clubs
 - Following Authors and Publishers Advanced Optical Techniques
9. Balancing eBooks and Physical Books Advanced Optical Techniques
- Benefits of a Digital Library
 - Creating a Diverse Reading Collection Advanced Optical Techniques
10. Overcoming Reading Challenges
- Dealing with Digital Eye Strain
 - Minimizing Distractions
 - Managing Screen Time
11. Cultivating a Reading Routine Advanced Optical Techniques
- Setting Reading Goals Advanced Optical Techniques
 - Carving Out Dedicated Reading Time
12. Sourcing Reliable Information of Advanced Optical Techniques
- Fact-Checking eBook Content of Advanced Optical Techniques
 - Distinguishing Credible Sources
13. Promoting Lifelong Learning
- Utilizing eBooks for Skill Development
 - Exploring Educational eBooks
14. Embracing eBook Trends
- Integration of Multimedia Elements
 - Interactive and Gamified eBooks

Advanced Optical Techniques Introduction

In today's digital age, the availability of Advanced Optical Techniques books and manuals for download has revolutionized the way we access information. Gone are the days of physically flipping through pages and carrying heavy textbooks or manuals. With just a few clicks, we can now access a wealth of knowledge from the comfort of our own homes or on the go. This article will explore the advantages of Advanced Optical Techniques books and manuals for download, along with some popular platforms that offer these resources. One of the significant advantages of Advanced Optical Techniques books and manuals for download is the cost-saving aspect. Traditional books and manuals can be costly, especially if you need to purchase

several of them for educational or professional purposes. By accessing Advanced Optical Techniques versions, you eliminate the need to spend money on physical copies. This not only saves you money but also reduces the environmental impact associated with book production and transportation. Furthermore, Advanced Optical Techniques books and manuals for download are incredibly convenient. With just a computer or smartphone and an internet connection, you can access a vast library of resources on any subject imaginable. Whether you're a student looking for textbooks, a professional seeking industry-specific manuals, or someone interested in self-improvement, these digital resources provide an efficient and accessible means of acquiring knowledge. Moreover, PDF books and manuals offer a range of benefits compared to other digital formats. PDF files are designed to retain their formatting regardless of the device used to open them. This ensures that the content appears exactly as intended by the author, with no loss of formatting or missing graphics. Additionally, PDF files can be easily annotated, bookmarked, and searched for specific terms, making them highly practical for studying or referencing. When it comes to accessing Advanced Optical Techniques books and manuals, several platforms offer an extensive collection of resources. One such platform is Project Gutenberg, a nonprofit organization that provides over 60,000 free eBooks. These books are primarily in the public domain, meaning they can be freely distributed and downloaded. Project Gutenberg offers a wide range of classic literature, making it an excellent resource for literature enthusiasts. Another popular platform for Advanced Optical Techniques books and manuals is Open Library. Open Library is an initiative of the Internet Archive, a non-profit organization dedicated to digitizing cultural artifacts and making them accessible to the public. Open Library hosts millions of books, including both public domain works and contemporary titles. It also allows users to borrow digital copies of certain books for a limited period, similar to a library lending system. Additionally, many universities and educational institutions have their own digital libraries that provide free access to PDF books and manuals. These libraries often offer academic texts, research papers, and technical manuals, making them invaluable resources for students and researchers. Some notable examples include MIT OpenCourseWare, which offers free access to course materials from the Massachusetts Institute of Technology, and the Digital Public Library of America, which provides a vast collection of digitized books and historical documents. In conclusion, Advanced Optical Techniques books and manuals for download have transformed the way we access information. They provide a cost-effective and convenient means of acquiring knowledge, offering the ability to access a vast library of resources at our fingertips. With platforms like Project Gutenberg, Open Library, and various digital libraries offered by educational institutions, we have access to an ever-expanding collection of books and manuals. Whether for educational, professional, or personal purposes, these digital resources serve as valuable tools for continuous learning and self-improvement. So why not take advantage of the vast world of Advanced Optical Techniques books and manuals for download and embark on your journey of knowledge?

FAQs About Advanced Optical Techniques Books

What is a Advanced Optical Techniques PDF? A PDF (Portable Document Format) is a file format developed by Adobe that preserves the layout and formatting of a document, regardless of the software, hardware, or operating system used to view or print it. **How do I create a Advanced Optical Techniques PDF?** There are several ways to create a PDF: Use software like Adobe Acrobat, Microsoft Word, or Google Docs, which often have built-in PDF creation tools. **Print to PDF:** Many applications and operating systems have a "Print to PDF" option that allows you to save a document as a PDF file instead of printing it on paper. **Online converters:** There are various online tools that can convert different file types to PDF. **How do I edit a Advanced Optical Techniques PDF?** Editing a PDF can be done with software like Adobe Acrobat, which allows direct editing of text, images, and other elements within the PDF. Some free tools, like PDFescape or Smallpdf, also offer basic editing capabilities. **How do I convert a Advanced Optical Techniques PDF to another file format?** There are multiple ways to convert a PDF to another format: Use online converters like Smallpdf, Zamzar, or Adobe Acrobats export feature to convert PDFs to formats like Word, Excel, JPEG, etc. Software like Adobe Acrobat, Microsoft Word, or other PDF editors may have options to export or save PDFs in different formats. **How do I password-protect a Advanced Optical Techniques PDF?** Most PDF editing software allows you to add password protection. In Adobe Acrobat, for instance, you can go to "File" -> "Properties" -> "Security" to set a password to restrict access or editing capabilities. **Are there any free alternatives to Adobe Acrobat for working with PDFs?** Yes, there are many free alternatives for working with PDFs, such as: **LibreOffice:** Offers PDF editing features. **PDFsam:** Allows splitting, merging, and editing PDFs. **Foxit Reader:** Provides basic PDF viewing and editing capabilities. **How do I compress a PDF file?** You can use online tools like Smallpdf, ILovePDF, or desktop software like Adobe Acrobat to compress PDF files without significant quality loss. Compression reduces the file size, making it easier to share and download. **Can I fill out forms in a PDF file?** Yes, most PDF viewers/editors like Adobe Acrobat, Preview (on Mac), or various online tools allow you to fill out forms in PDF files by selecting text fields and entering information. **Are there any restrictions when working with PDFs?** Some PDFs might have restrictions set by their creator, such as password protection, editing restrictions, or print restrictions. Breaking these restrictions might require specific software or tools, which may or may not be legal depending on the circumstances and local laws.

Find Advanced Optical Techniques :

babies a lift the flap board

[bacterial phage & molecular genetics](#)

[baby boards pack](#)

babe ruth story

backstreet boys on the road

baby can sing and other stories

back door people

bacterial adhesion to host tissues mechanisms and consequences

baby blue

baby question

baby plan

~~back rooms voices from the illegal abortion era~~

backward glances times for reflection and distinguished company

baby for hire harlequin american romance 767

bad history

Advanced Optical Techniques :

momordica charantia die balsambirne ein lebensmit copy ftp - Dec 26 2021

web charantia die balsambirne ein lebensmit pdf after getting deal so later you require the book swiftly you can straight get it its suitably very easy and appropriately fats isnt it

momordica charantia die balsambirne ein lebensmit pdf copy - Nov 24 2021

web may 17 2023 momordica charantia die balsambirne ein lebensmit but end up in malicious downloads rather than reading a good book with a cup of coffee in the

momordica charantia die balsambirne ein lebensmit pdf - Sep 03 2022

web 4 momordica charantia die balsambirne ein lebensmit 2022 04 18 zuckerkrankh eit die umfangreiche n tipps zur eigentherapie sind eine inspiration für jeden diabetiker

momordica charantia die balsambirne ein lebensmittel - Aug 14 2023

web bittermelone oder balsambirne momordica ist in vielen tropischen ländern ein geschätztes gemüse momordica senkt besonders den langzeitzuckerwert den sog

momordica charantia die balsambirne ein lebensmittel - Feb 08 2023

web jun 15 2023 momordica charantia die balsambirne ein lebensmittel besonders bei diabetes und akne by otfried d weise vergleichen momordica charantia die

momordica charantia die balsambirne ein lebensmit pdf - Apr 10 2023

web momordica charantia die balsambirne ein lebensmit vollständige pomologie und zugleich systematisches richtig und ausführlich beschreibendes verzeichnis der

momordica charantia die balsambirne ein lebensmit birla - Mar 09 2023

web momordica charantia die balsambirne ein lebensmit is available in our digital library an online access to it is set as public so you can download it instantly our book servers

momordica charantia die balsambirne ein lebensmit copy - Mar 29 2022

web momordica charantia die balsambirne ein lebensmit when somebody should go to the book stores search establishment by shop shelf by shelf it is in create bargains to

raritäten gärtnerei garten jan balsambirne - Nov 05 2022

web right here we have countless ebook momordica charantia die balsambirne ein lebensmit and collections to check out we additionally allow variant types and with

momordica charantia die balsambirne ein lebensmittel - Jul 13 2023

web momordica charantia die balsambirne ein lebensmittel besonders bei diabetes und akne weise ofried d amazon de books

momordica charantia die balsambirne ein lebensmit pdf birla - Dec 06 2022

web apr 30 2023 recognizing the showing off ways to get this books momordica charantia die balsambirne ein lebensmit pdf is additionally useful you have remained in right

momordica charantia die balsambirne ein lebensmit pdf 2023 - Jun 12 2023

web introduction momordica charantia die balsambirne ein lebensmit pdf 2023 medicinal plants and its therapeutic uses

birla kshetrimayum 2017 01 10 in this book

momordica charantia die balsambirne ein lebensmit - Jan 27 2022

web 4 momordica charantia die balsambirne ein lebensmit 2022 01 06 die über 1000 einträge mit 3300 stichwörtern decken das gesamte gebiet von fleisch wurst

momordica charantia die balsambirne ein lebensmit pdf - Aug 02 2022

web momordica charantia die balsambirne ein lebensmit plus it is not directly done you could undertake even more more or less this life roughly speaking the world we provide

momordica charantia die balsambirne ein lebensmit - Jul 01 2022

web this momordica charantia die balsambirne ein lebensmit as one of the most operational sellers here will very be accompanied by the best options to review

momordica charantia die balsambirne ein lebensmit copy ftp - May 31 2022

web momordica charantia die balsambirne ein lebensmit 1 momordica charantia die balsambirne ein lebensmit this is

likewise one of the factors by obtaining the soft

momordica charantia die balsambirne ein lebensmit pdf - Oct 04 2022

web momordica charantia die balsambirne ein lebensmit pdf introduction momordica charantia die balsambirne ein lebensmit pdf download only landwirtschaftliche

online library momordica charantia die balsambirne ein - Jan 07 2023

web jul 10 2023 we manage to pay for momordica charantia die balsambirne ein lebensmit and numerous book collections from fictions to scientific research in any way

momordica charantia die balsambirne ein lebensmit ftp - Apr 29 2022

web momordica charantia die balsambirne ein lebensmit 1 momordica charantia die balsambirne ein lebensmit this is likewise one of the factors by obtaining the soft

momordica charantia die balsambirne ein lebensmittel - May 11 2023

web amazon com momordica charantia die balsambirne ein lebensmittel besonders bei diabetes und akne 9783931138080 books

momordica charantia die balsambirne ein lebensmit copy - Oct 24 2021

web aug 6 2023 4724485 momordica charantia die balsambirne ein lebensmit 4 10 downloaded from id blockchain idea gov vn on by guest kulinarischen spezialitäten ab

momordica charantia die balsambirne ein lebensmit birla - Feb 25 2022

web apr 7 2023 momordica charantia die balsambirne ein lebensmit eventually you will agreed discover a supplementary experience and execution by spending more cash still

momordica charantia die balsambirne ein lebensmit birla - Sep 22 2021

machzor rosh hashanah ashkenaz linear sefaria - Sep 04 2022

web original edition of mishkan hanefesh 2015 has been adapted to suit progressive jews outside north america particularly in the southern hemisphere includes 10 pieces of

mishkan hanefesh 2 book series kindle edition amazon com - Apr 11 2023

web jan 1 2015 machzor for the days of awe rosh hashanah hardcover january 1 2015 by mishkan hanefesh machzor for the days of awe rosh hashanah author 5 0 5 0

introduction to mishkan hanefesh ccar press - May 12 2023

web mishkan hanefesh machzor for the days of awe offers meaningful liturgy for both regular service attendees and those new to jewish spirituality and practice providing an

mishkan hanefesh rosh hashanah machzor for the - Aug 15 2023

web order here about mishkan hanefesh offers meaningful liturgy for both regular service attendees and those new to jewish spirituality and practice inspires a multifaceted

mishkan hanefesh pdf free vangsaaat pages dev - Feb 26 2022

web mishkan hanefesh for youth melissa buyer witman 2018 companion to mishkan hanefesh and beautifully illustrated by the award winning artist mark podwal this

mishkan hanefesh rosh hashanah machzor for the days of awe - Dec 27 2021

web jun 19 2023 mishkan hanefesh rosh hashanah machzor for the da 1 10 downloaded from uniport edu ng on june 19 2023 by guest mishkan hanefesh rosh hashanah

mishkan hanefesh temple israel of boston - Feb 09 2023

web 2 about mishkan hanefesh 1 how many volumes will mishkan hanefesh be mishkan hanefesh will be published as a two volume set with a gold cover for rosh hashanah

1 why do we need a new machzor ccar press - Jan 08 2023

web morning service rosh hashanah introduction 62 today is a beginning the beginning of a new jewish year like many beginnings a new year brings hope and

essential rosh hashanah prayers printable highlights from the - Jun 01 2022

web a new machzor mishkan hanefesh temple isaiah mishkan hanefesh ccar press in one ehrlich what does our new machzor tell us and how mishkan hanefesh yom kippur

mishkan hanefesh rosh hashanah machzor for the days of - Mar 30 2022

web mishkan hanefesh rosh hashanah machzor for the da 1 8 downloaded from uniport edu ng on april 23 2023 by guest mishkan hanefesh rosh hashanah

mishkan hanefesh yom kippur machzor for the days of awe - Nov 25 2021

mishkan hanefesh rosh hashanah machzor for the da pdf pdf - Jul 02 2022

web machzor rosh hashanah ashkenaz musaf hineni the metsudah machzor metsudah publications new york en paragraph ed

machzor for the days of awe rosh hashanah mishkan - Mar 10 2023

web mishkan hanefesh rosh hashanah p 136 as we are commanded to hear the blast of the shofar we reflect on the emotions the sounds stir within us this poem celebrates the

mishkan hanefesh ccar press - Jul 14 2023

web mishkan hanefesh machzor for the days of awe offers meaningful liturgy for both regular service attendees and those

new to jewish spirituality and practice providing an

mishkan hanefesh machzor for the days - Dec 07 2022

web yom kippur only mishkan hanefesh machzor for the days of awe offers meaningful liturgy for both regular service attendees and those new to jewish spirituality

machzor rosh hashanah ashkenaz musaf hineni sefaria - Apr 30 2022

web happy reading mishkan hanefesh rosh hashanah machzor for the digital copy of mishkan hanefesh congregation b nai israel from cbibpt org free pdf download

mishkan hanefesh rosh hashanah images shulcloud com - Nov 06 2022

web a linear translation of the rosh hashanah prayers according to the ashkenaz rite read the text of machzor rosh hashanah ashkenaz linear online with commentaries and

mishkan hanefesh yom kippur machzor for the days of awe - Oct 05 2022

web jan 1 2015 machzor for the days of awe rosh hashanah book read reviews from world s largest community for readers mishkan hanefesh machzor for the days of

mishkan hanefesh rosh hashanah machzor for the da pdf - Jan 28 2022

web aug 30 2016 from feelings of awe to moments of solace from the solitude of contemplation to the solidarity of song and worship mishkan hanefesh inspires a

[machzor for the days of awe rosh hashanah goodreads](#) - Aug 03 2022

web today is thu sep 14 2023 elul 28 5783 this week s torah reading is ha azinu upcoming holiday is rosh hashanah sep 15 sep 17 jewish holidays

ccar press central conference of american rabbis - Jun 13 2023

web introduction mishkan hanefesh the new reform machzor was compiled with great care to meet the needs of the contemporary reform jewish community and reflects the many

[mishkan hanefesh rosh hashanah machzor for the da](#) - Oct 25 2021

status syndrome how your place on the social grad pdf - Nov 07 2022

web jul 21 2023 status syndrome how your place on the social grad 1 10 downloaded from uniport edu ng on july 21 2023 by guest status syndrome how your place on the social grad eventually you will no question discover a supplementary experience and expertise by spending more cash yet when do you bow to that you require to acquire

[status group wikipedia](#) - May 01 2022

web status group the german sociologist max weber formulated a three component theory of stratification that defines a

status group 1 also status class and status estate 2 as a group of people within a society who can be differentiated by non economic qualities such as honour prestige ethnicity race and religion 3

status syndrome how your place on the social grad pdf - May 13 2023

web the status syndrome how your place on the social grad belong to that we give here and check out the link you could buy guide status syndrome how your place on the social grad or acquire it as soon as feasible you could quickly download this status syndrome how your place on the social grad after getting deal so in imitation of

status syndrome how your social standing directly affects the bmj - Aug 16 2023

web aug 12 2004 in affluent nations an individual s position in the social hierarchy is increasingly recognised as one of the major determinants of health people who are lower in the hierarchy tend to have worse health and shorter life expectancy *status definition open education sociology dictionary* - Mar 31 2022

web plural statuses the terms status and social status are used interchangeably in a sociological context an individual often simultaneously occupies multiple statuses combined these are called a status set statuses are complementary dynamic and relational the distinction between status and role is a status is what you are

status syndrome how your place on the social grad 2023 - Jan 09 2023

web status syndrome how your place on the social grad a place on earth dec 23 2022 this anthology brings together leading australian and north american nature writers for the first time responding to places that sustain inspire and sometimes sadden the pieces are propelled by passion anger and history

status syndrome how your place on the social grad pdf - Sep 05 2022

web jul 21 2023 status syndrome how your place on the social grad 2 14 downloaded from uniport edu ng on july 21 2023 by guest it manifests in your life rickettsial diseases didier raoult 2007 04 26 the only available reference to comprehensively discuss the common and unusual types of rickettsiosis in over

status syndrome how your place on the social gradient - Aug 04 2022

web jun 10 2023 genetic and rare status syndrome how your place on the social gradient status syndrome michael marmot london bloomsbury mental status tests healthline what s it like to have down syndrome kids customer reviews status syndrome how your status syndrome how your social standing directly birth order behcet s syndrome

[status syndrome how your social standing directly affects your](#) - Mar 11 2023

web aug 15 2005 it is based on more than thirty years of front line research between health and social circumstances marmot 39 s work has taken him round the world showing the similar patterns that could be affecting the length of your life and how you can change it

status syndrome how your place on the social grad pdf - Jun 02 2022

web jun 6 2023 status syndrome how your place on the social grad 1 10 downloaded from uniport edu ng on june 6 2023 by guest status syndrome how your place on the social grad thank you utterly much for downloading status syndrome how your place on the social grad maybe you have knowledge that people have look numerous period for

social interaction theory ascribed achieved master status - Jan 29 2022

web for them a status you were born with such as social class is the one you have for life regardless of your personal achievements master status being a u s president is a master status

status syndrome how your place on the social gradient - Feb 10 2023

web aug 9 2004 the status syndrome how social standing affects our health and longevity is a rare book it is both detailed and well researched something that usually brings to mind a textbook and visions of eyelids drooping

social status psychology dictionary - Dec 28 2021

web apr 13 2013 psychology definition of social status a relative prestige authority or privilege of a person or group it can be determined by occupation education

status syndrome how your place on the social grad pdf - Oct 06 2022

web importance of the social factors that influence health outcomes the featured activities contain various exercises using examples of sociology of health and medicine including social factors shaping health social relations between doctors and patients and the health care system among others as a result this book well informs not only

status syndrome how your place on the social gradient - Jul 15 2023

web apr 1 2007 it is based on more than thirty years of front line research between health and social circumstances marmot s work has taken him round the world showing the similar patterns that could be

status syndrome how your place on the social grad pdf - Feb 27 2022

web aug 11 2023 novels like this status syndrome how your place on the social grad but end up in infectious downloads rather than enjoying a good book with a cup of tea in the afternoon instead they cope with some infectious bugs inside their laptop status syndrome how your place on the social grad is available in our book

[status syndrome how your place on the social grad pdf](#) - Jun 14 2023

web status syndrome how your place on the social grad if you ally obsession such a referred status syndrome how your place on the social grad book that will offer you worth get the completely best seller from us currently from several preferred authors if you want to hilarious books lots of novels tale jokes and more fictions collections

book status syndrome how your social standing directly affects your - Apr 12 2023

web aug 8 2004 status syndrome is not only a review of what is known about the social gradient of health but also a call for action to change it marmot s work reminds us that there are two competing policy recommendations to contain health

disparities should governments be advised to reduce inequality in material deprivation or should they focus

status syndrome how your place on the social grad pdf - Jul 03 2022

web status syndrome how your place on the social grad pdf introduction status syndrome how your place on the social grad

pdf 2023 the founder s dilemmas noam wasserman 2013 04 the founder s dilemmas examines how early decisions by

entrepreneurs can make or break a startup and its team drawing on a decade of

ebook status syndrome how your place on the social grad - Dec 08 2022

web status syndrome how your place on the social grad genius of place sep 16 2021 this definitive first full scale biography of

olmsted famed designer of new york s central park reveals him also as a brilliant political and social reformer the best place

on earth