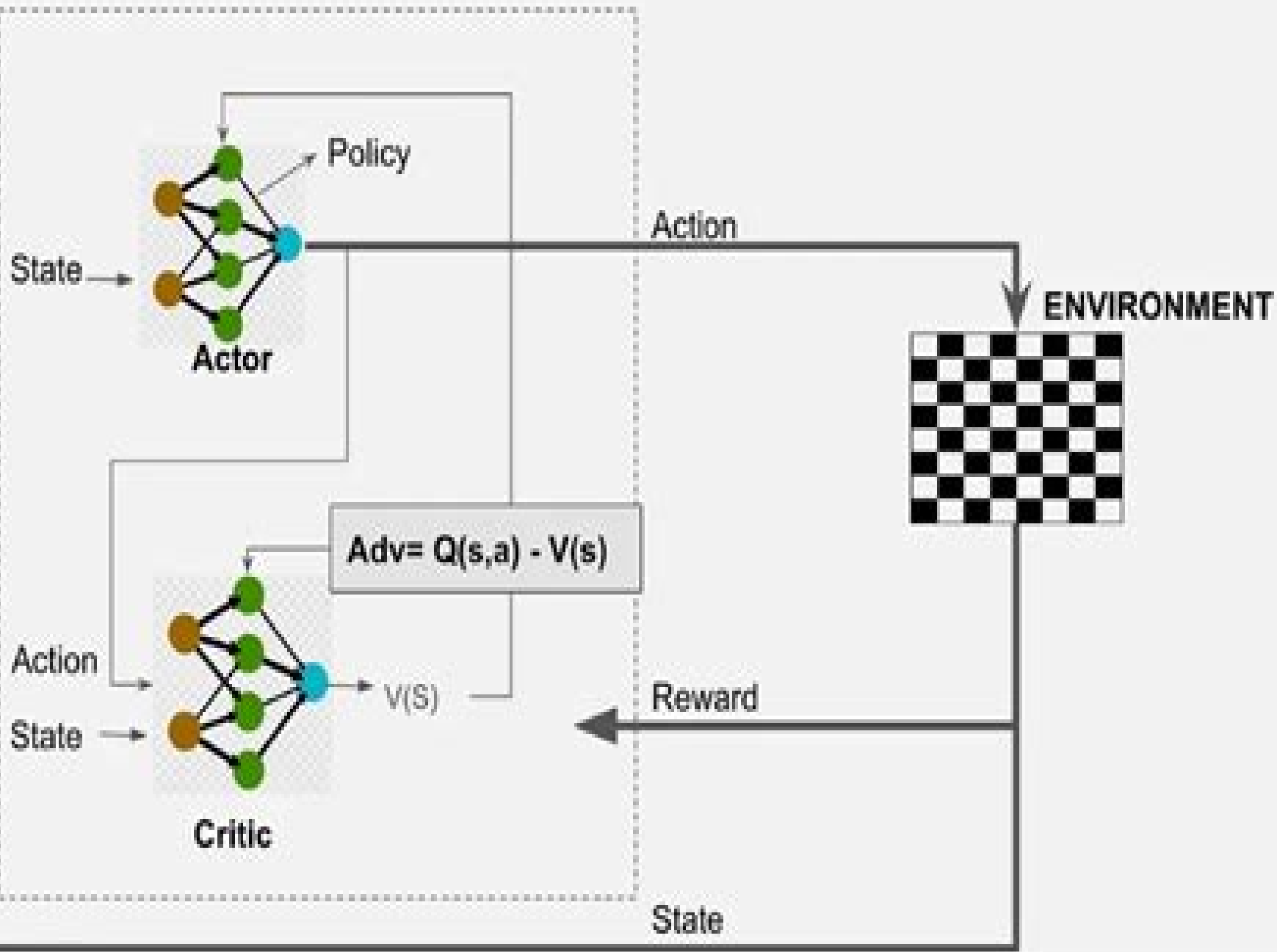


AGENT



Between Actor Critic

**Dr. Chithra K,Anirudhan Adukkathayar
C,Ismail Keshta,Dr. Haewon Byeon**

Between Actor Critic:

Machine Learning Perspectives of Agent-Based Models Pedro Campos, Anand Rao, Joaquim Margarido, 2025-09-19
This book provides an overview of agent based modeling ABM and multi agent systems MAS emphasizing their significance in understanding complex economic systems with a special focus on the emerging properties of heterogeneous agents that cannot be deduced from the characteristics of individual agents ABM is highlighted as a powerful tool for studying economics especially in the context of financial crises and pandemics where traditional models such as dynamic stochastic general equilibrium DSGE models have proven inadequate Containing numerous practical examples and applications with R Python Julia and Netlogo the book explores how learning particularly machine learning can be integrated into multi agent systems to enhance the adaptation and behavior of agents in dynamic environments It compares different learning approaches including game theory and artificial intelligence highlighting the advantages of each in modeling economic phenomena *PyTorch*

Essentials: A Comprehensive Guide to Machine Learning Techniques Adam Jones, 2024-12-03 *PyTorch Essentials*
A Comprehensive Guide to Machine Learning Techniques is an essential resource for programmers researchers and enthusiasts eager to enhance their mastery of machine learning and artificial intelligence through the PyTorch framework This guide deftly combines theoretical foundations with hands on applications covering everything from basic tensor manipulation and neural network creation to sophisticated architectures such as CNNs RNNs and generative models Additionally it delves into reinforcement learning optimization strategies and best practices for deployment empowering readers with the skills to develop scalable production ready solutions Whether advancing your research or solving real world industry challenges this book serves as your indispensable guide to mastering machine learning with PyTorch

Anticipatory Optimization for Dynamic Decision Making Stephan Meisel, 2011-06-23
The availability of today's online information systems rapidly increases the relevance of dynamic decision making within a large number of operational contexts Whenever a sequence of interdependent decisions occurs making a single decision raises the need for anticipation of its future impact on the entire decision process Anticipatory support is needed for a broad variety of dynamic and stochastic decision problems from different operational contexts such as finance energy management manufacturing and transportation Example problems include asset allocation feed in of electricity produced by wind power as well as scheduling and routing All these problems entail a sequence of decisions contributing to an overall goal and taking place in the course of a certain period of time Each of the decisions is derived by solution of an optimization problem As a consequence a stochastic and dynamic decision problem resolves into a series of optimization problems to be formulated and solved by anticipation of the remaining decision process However actually solving a dynamic decision problem by means of approximate dynamic programming still is a major scientific challenge Most of the work done so far is devoted to problems allowing for formulation of the underlying optimization problems as linear programs Problem domains like scheduling and routing where linear

programming typically does not produce a significant benefit for problem solving have not been considered so far Therefore the industry demand for dynamic scheduling and routing is still predominantly satisfied by purely heuristic approaches to anticipatory decision making Although this may work well for certain dynamic decision problems these approaches lack transferability of findings to other related problems This book serves two major purposes It provides a comprehensive and unique view of anticipatory optimization for dynamic decision making It fully integrates Markov decision processes dynamic programming data mining and optimization and introduces a new perspective on approximate dynamic programming Moreover the book identifies different degrees of anticipation enabling an assessment of specific approaches to dynamic decision making It shows for the first time how to successfully solve a dynamic vehicle routing problem by approximate dynamic programming It elaborates on every building block required for this kind of approach to dynamic vehicle routing Thereby the book has a pioneering character and is intended to provide a footing for the dynamic vehicle routing community

Distributed learning, optimization, and control methods for future power grids Zhi-Wei Liu, Xiao-Kang Liu, Jun Yan, Chao Deng, 2024-01-02 [Advances in Neural Information Processing Systems 7](#) Gerald Tesauro, David S. Touretzky, Todd Leen, 1995 November 28 December 1 1994 Denver Colorado NIPS is the longest running annual meeting devoted to Neural Information Processing Systems Drawing on such disparate domains as neuroscience cognitive science computer science statistics mathematics engineering and theoretical physics the papers collected in the proceedings of NIPS7 reflect the enduring scientific and practical merit of a broad based inclusive approach to neural information processing The primary focus remains the study of a wide variety of learning algorithms and architectures for both supervised and unsupervised learning The 139 contributions are divided into eight parts Cognitive Science Neuroscience Learning Theory Algorithms and Architectures Implementations Speech and Signal Processing Visual Processing and Applications Topics of special interest include the analysis of recurrent nets connections to HMMs and the EM procedure and reinforcement learning algorithms and the relation to dynamic programming On the theoretical front progress is reported in the theory of generalization regularization combining multiple models and active learning Neuroscientific studies range from the large scale systems such as visual cortex to single cell electrotonic structure and work in cognitive scientific is closely tied to underlying neural constraints There are also many novel applications such as tokamak plasma control Glove Talk and hand tracking and a variety of hardware implementations with particular focus on analog VLSI

REINFORCEMENT LEARNING FUNDAMENTALS - LEARNING THROUGH REWARDS AND PUNISHMENTS Dr. Chithra K, Anirudhan Adukkathayar C, Ismail Keshta, Dr. Haewon Byeon, 2023-10-30 Reinforcement learning is a subfield within the broader domain of machine learning The crux of the matter is in selecting the optimal course of action to maximize prospective profitability within a given set of conditions It is utilized by various software and computers to determine the optimal course of action or action route to effectively respond to a given event In the process of supervised learning the training data includes the

ground truth and the model is trained using the correct response In contrast in the context of reinforcement learning the absence of a definitive correct answer is seen Instead the reinforcement agent exercises its discretion in selecting the appropriate behaviors required to successfully complete the assigned task This observation highlights a significant distinction between the two modalities of learning In supervised learning the training dataset contains the solution key enabling the model to be trained using the correct answers directly In the context of unsupervised learning the model is trained using erroneous or inaccurate responses Without access to a training dataset it is implausible for the system to acquire knowledge by any alternative means The mathematical impossibility of the situation is evident Reinforcement learning RL is a subfield within the domain of artificial intelligence AI that focuses on the examination and analysis of decision making processes The objective of this study is to ascertain the optimal approach for individuals to navigate a certain context with the aim of maximizing the potential outcomes resulting from their endeavors The data employed in reinforcement learning RL is obtained through many machine learning algorithms each of which acquires knowledge through its distinct iteration of the trial and error process Data is not considered a constituent of the input employed in either supervised or unsupervised machine learning methodologies Both of these machine learning algorithms are not classified as supervised Reinforcement learning is a computational approach that involves the utilization of algorithms to acquire knowledge from previous actions consequences and afterwards choose the most advantageous path of action Following each stage the algorithm is provided with input that aids in evaluating the appropriateness neutrality or inaccuracy

Mathematical Foundations of Reinforcement Learning Shiyu Zhao,2025-01-21 This book provides a mathematical yet accessible introduction to the fundamental concepts core challenges and classic reinforcement learning algorithms It aims to help readers understand the theoretical foundations of algorithms providing insights into their design and functionality Numerous illustrative examples are included throughout The mathematical content is carefully structured to ensure readability and approachability The book is divided into two parts The first part is on the mathematical foundations of reinforcement learning covering topics such as the Bellman equation Bellman optimality equation and stochastic approximation The second part explicates reinforcement learning algorithms including value iteration and policy iteration Monte Carlo methods temporal difference methods value function methods policy gradient methods and actor critic methods With its comprehensive scope the book will appeal to undergraduate and graduate students post doctoral researchers lecturers industrial researchers and anyone interested in reinforcement learning

Industrial Engineering and Applications Loon-Ching Tang,2023-08-15 The field of industrial engineering IE has a very wide scope from production processes and automation to supply chain management but the scope of IE techniques has expanded beyond the traditional domains of application and is now relevant to areas that matter most to society at large This book presents the proceedings of ICIEA 2023 the 10th International Conference on Industrial Engineering and Applications held in Phuket Thailand from 4

to 6 April 2023 The conference was conducted in hybrid mode with close to 100 delegates attending in person and about 50 participants attending online A total of 272 submissions were received for the conference of which 120 were accepted for presentation with 83 of those published here as full papers These papers cover a wide range of topics within the scope of industrial and systems engineering including but not limited to supply chain and logistics quality and reliability advanced manufacturing and production scheduling to ergonomics and man machine systems interfaces In particular a significant number of papers are devoted to machine learning techniques and applications beyond the traditional manufacturing sector to include healthcare sustainability assessment and other social issues Offering an overview of recent research and novel applications the book will be of interest to all those whose work involves the application of industrial engineering techniques

Advances in Swarm Intelligence Ying Tan, Yuhui Shi, 2021-07-07 his two volume set LNCS 12689 12690 constitutes the refereed proceedings of the 12th International Conference on Advances in Swarm Intelligence ICSI 2021 held in Qingdao China in July 2021 The 104 full papers presented in this volume were carefully reviewed and selected from 177 submissions They cover topics such as Swarm Intelligence and Nature Inspired Computing Swarm based Computing Algorithms for Optimization Particle Swarm Optimization Ant Colony Optimization Differential Evolution Genetic Algorithm and Evolutionary Computation Fireworks Algorithms Brain Storm Optimization Algorithm Bacterial Foraging Optimization Algorithm DNA Computing Methods Multi Objective Optimization Swarm Robotics and Multi Agent System UAV Cooperation and Control Machine Learning Data Mining and Other Applications

The Saturday Review of Politics, Literature, Science, Art, and Finance ,1892 *The Saturday Review of Politics, Literature, Science and Art* ,1885 The Theatre ,1897 Vol for 1888 includes dramatic directory for Feb Dec vol for 1889 includes dramatic directory for Jan May The Saturday Review ,1926 **The National Review** ,1906 *The Theatre* Clement Scott, Bernard Capes, Charles Eglinton, Addison Bright, 1896 Vol for 1888 includes dramatic directory for Feb Dec vol for 1889 includes dramatic directory for Jan May *Theatre Magazine* W. J. Thorold, Arthur Hornblow, Arthur Hornblow (Jr.), Perriton Maxwell, Stewart Beach, 1907 **Digest; Review of Reviews Incorporating Literary Digest** ,1907 **The Quarterly Review** ,1898

The Quarterly Review William Gifford, Sir John Taylor Coleridge, John Gibson Lockhart, Whitwell Elwin, William Macpherson, William Smith, Sir John Murray (IV), Rowland Edmund Prothero (Baron Ernle), 1905 *Mechatronic Systems and Materials VI* Algirdas Vaclovas Valiulis, Olegas Černašėjus, Vadim Mokšin, 2015-01-28 Selected peer reviewed papers from the 9th International Conference on Mechatronic Systems and Materials MSM 2013 July 1 3 2013 Vilnius Lithuania

Eventually, you will agreed discover a supplementary experience and capability by spending more cash. still when? get you give a positive response that you require to get those all needs bearing in mind having significantly cash? Why dont you attempt to acquire something basic in the beginning? Thats something that will guide you to comprehend even more with reference to the globe, experience, some places, once history, amusement, and a lot more?

It is your enormously own mature to play reviewing habit. in the course of guides you could enjoy now is **Between Actor Critic** below.

<https://gandalf.roeckerfam.com/public/detail/Documents/Dark%20And%20Stormy%20Rides%20Again%20The%20Best%20From%20The%20Bulwer%20lytton%20Fiction%20Contest.pdf>

Table of Contents Between Actor Critic

1. Understanding the eBook Between Actor Critic
 - The Rise of Digital Reading Between Actor Critic
 - Advantages of eBooks Over Traditional Books
2. Identifying Between Actor Critic
 - Exploring Different Genres
 - Considering Fiction vs. Non-Fiction
 - Determining Your Reading Goals
3. Choosing the Right eBook Platform
 - Popular eBook Platforms
 - Features to Look for in an Between Actor Critic
 - User-Friendly Interface
4. Exploring eBook Recommendations from Between Actor Critic
 - Personalized Recommendations
 - Between Actor Critic User Reviews and Ratings
 - Between Actor Critic and Bestseller Lists

5. Accessing Between Actor Critic Free and Paid eBooks
 - Between Actor Critic Public Domain eBooks
 - Between Actor Critic eBook Subscription Services
 - Between Actor Critic Budget-Friendly Options
6. Navigating Between Actor Critic eBook Formats
 - ePub, PDF, MOBI, and More
 - Between Actor Critic Compatibility with Devices
 - Between Actor Critic Enhanced eBook Features
7. Enhancing Your Reading Experience
 - Adjustable Fonts and Text Sizes of Between Actor Critic
 - Highlighting and Note-Taking Between Actor Critic
 - Interactive Elements Between Actor Critic
8. Staying Engaged with Between Actor Critic
 - Joining Online Reading Communities
 - Participating in Virtual Book Clubs
 - Following Authors and Publishers Between Actor Critic
9. Balancing eBooks and Physical Books Between Actor Critic
 - Benefits of a Digital Library
 - Creating a Diverse Reading Collection Between Actor Critic
10. Overcoming Reading Challenges
 - Dealing with Digital Eye Strain
 - Minimizing Distractions
 - Managing Screen Time
11. Cultivating a Reading Routine Between Actor Critic
 - Setting Reading Goals Between Actor Critic
 - Carving Out Dedicated Reading Time
12. Sourcing Reliable Information of Between Actor Critic
 - Fact-Checking eBook Content of Between Actor Critic
 - Distinguishing Credible Sources
13. Promoting Lifelong Learning

- Utilizing eBooks for Skill Development
 - Exploring Educational eBooks
14. Embracing eBook Trends
- Integration of Multimedia Elements
 - Interactive and Gamified eBooks

Between Actor Critic Introduction

In the digital age, access to information has become easier than ever before. The ability to download Between Actor Critic has revolutionized the way we consume written content. Whether you are a student looking for course material, an avid reader searching for your next favorite book, or a professional seeking research papers, the option to download Between Actor Critic has opened up a world of possibilities. Downloading Between Actor Critic provides numerous advantages over physical copies of books and documents. Firstly, it is incredibly convenient. Gone are the days of carrying around heavy textbooks or bulky folders filled with papers. With the click of a button, you can gain immediate access to valuable resources on any device. This convenience allows for efficient studying, researching, and reading on the go. Moreover, the cost-effective nature of downloading Between Actor Critic has democratized knowledge. Traditional books and academic journals can be expensive, making it difficult for individuals with limited financial resources to access information. By offering free PDF downloads, publishers and authors are enabling a wider audience to benefit from their work. This inclusivity promotes equal opportunities for learning and personal growth. There are numerous websites and platforms where individuals can download Between Actor Critic. These websites range from academic databases offering research papers and journals to online libraries with an expansive collection of books from various genres. Many authors and publishers also upload their work to specific websites, granting readers access to their content without any charge. These platforms not only provide access to existing literature but also serve as an excellent platform for undiscovered authors to share their work with the world. However, it is essential to be cautious while downloading Between Actor Critic. Some websites may offer pirated or illegally obtained copies of copyrighted material. Engaging in such activities not only violates copyright laws but also undermines the efforts of authors, publishers, and researchers. To ensure ethical downloading, it is advisable to utilize reputable websites that prioritize the legal distribution of content. When downloading Between Actor Critic, users should also consider the potential security risks associated with online platforms. Malicious actors may exploit vulnerabilities in unprotected websites to distribute malware or steal personal information. To protect themselves, individuals should ensure their devices have reliable antivirus software installed and validate the legitimacy of the websites they are downloading from. In conclusion, the ability to download Between Actor Critic has transformed the way we access information. With the

convenience, cost-effectiveness, and accessibility it offers, free PDF downloads have become a popular choice for students, researchers, and book lovers worldwide. However, it is crucial to engage in ethical downloading practices and prioritize personal security when utilizing online platforms. By doing so, individuals can make the most of the vast array of free PDF resources available and embark on a journey of continuous learning and intellectual growth.

FAQs About Between Actor Critic Books

1. Where can I buy Between Actor Critic books? Bookstores: Physical bookstores like Barnes & Noble, Waterstones, and independent local stores. Online Retailers: Amazon, Book Depository, and various online bookstores offer a wide range of books in physical and digital formats.
2. What are the different book formats available? Hardcover: Sturdy and durable, usually more expensive. Paperback: Cheaper, lighter, and more portable than hardcovers. E-books: Digital books available for e-readers like Kindle or software like Apple Books, Kindle, and Google Play Books.
3. How do I choose a Between Actor Critic book to read? Genres: Consider the genre you enjoy (fiction, non-fiction, mystery, sci-fi, etc.). Recommendations: Ask friends, join book clubs, or explore online reviews and recommendations. Author: If you like a particular author, you might enjoy more of their work.
4. How do I take care of Between Actor Critic books? Storage: Keep them away from direct sunlight and in a dry environment. Handling: Avoid folding pages, use bookmarks, and handle them with clean hands. Cleaning: Gently dust the covers and pages occasionally.
5. Can I borrow books without buying them? Public Libraries: Local libraries offer a wide range of books for borrowing. Book Swaps: Community book exchanges or online platforms where people exchange books.
6. How can I track my reading progress or manage my book collection? Book Tracking Apps: Goodreads, LibraryThing, and Book Catalogue are popular apps for tracking your reading progress and managing book collections. Spreadsheets: You can create your own spreadsheet to track books read, ratings, and other details.
7. What are Between Actor Critic audiobooks, and where can I find them? Audiobooks: Audio recordings of books, perfect for listening while commuting or multitasking. Platforms: Audible, LibriVox, and Google Play Books offer a wide selection of audiobooks.
8. How do I support authors or the book industry? Buy Books: Purchase books from authors or independent bookstores. Reviews: Leave reviews on platforms like Goodreads or Amazon. Promotion: Share your favorite books on social media

or recommend them to friends.

9. Are there book clubs or reading communities I can join? Local Clubs: Check for local book clubs in libraries or community centers. Online Communities: Platforms like Goodreads have virtual book clubs and discussion groups.
10. Can I read Between Actor Critic books for free? Public Domain Books: Many classic books are available for free as they're in the public domain. Free E-books: Some websites offer free e-books legally, like Project Gutenberg or Open Library.

Find Between Actor Critic :

~~dark and stormy rides again the best from the bulwer-lytton fiction contest~~

das etruskische durch erklärung von inschriften und namen als semitische sprache erwiesen

dark amends

dark and distant shore

das kosmos buch der aquaristik fische pflanzen wabertechnik

~~das boot ed~~

das hellenisch deutsche weltbild einleit

~~darker fire~~

das gemeindekind roman

dannus two conquerors of reglathium

dark shadows vol 18

dartmoor seasons

~~das goldene meer geburtstagsausg~~

dark side of science

dantons death methuen theatre classics

Between Actor Critic :

Press Release - 8th Edition of the European Pharmacopoeia ... Medicines are indispensable for ensuring patients' health and access to good-quality medicines and healthcare is a basic human right. The European ... European pharmacopoeia 8.0 : published in accordance ... Edition: 8th ed ; Publisher: European Directorate for the Quality of Medicines & Healthcare, Council of Europe, Strasbourg, 2013-14. European Pharmacopoeia: Books European Pharmacopoeia 8th Edition 2014 -2016

Print. by European Pharmacopoeia. Hardcover. THE 8TH EDITION OF THE EUROPEAN PHARMACOPOEIA ... Jul 12, 2013 — pharmacopoeial standards. The upcoming 8th Edition of the European Pharmacopoeia contains more than 2220 monographs and. 340 general chapters ... European Pharmacopoeia 8th Edition 2014 Print (Volume ... European Pharmacopoeia 8th Edition 2014 Print (Volume 8.0 ,8.1 and 8.2) - ISBN 10: 9287175276 - ISBN 13: 9789287175274 - Hardcover. Technical Guide for the elaboration of monographs Apr 2, 2022 — 8th Edition. 2022. European Directorate for the Quality of ... Elaboration of a European Pharmacopoeia (hereinafter the “European Pharmacopoeia. European Pharmacopoeia 8 0 : Free Download, Borrow ... Feb 17, 2017 — Volumes 1 and 2 of this publication 8.0 constitute the 8 th Edition of the European Pharmacopoeia. They will be complemented by non-cumulative ... European Pharmacopoeia 8th Edition Jan 15, 2014 — European Pharmacopoeia 8th Edition · Identification A: requirement for elasticity deleted since test cannot be performed on all types of rubber ... European Pharmacopoeia 8th ed (8.0 + supp 8.1 & 8.2 ... European Pharmacopoeia 8th ed (8.0 + supp 8.1 & 8.2) (PUB200093). Language: English. Approximative price 450.00 €. Subject to availability at the publisher. European Pharmacopoeia (Ph. Eur.) The Ph. Eur. Commission · Groups of experts and working parties · European Pharmacopoeia 11th Edition. Focus. Biotherapeutics · Alternatives to animal testing (... 13 restaurant cash handling procedures Top cash handling procedures for restaurants · 1. Make sure there's only one manager in the safe during each shift. · 2. Verify safe funds at every shift change. Restaurant Cash-Handling Procedures and Best Practices Dec 12, 2023 — Typically at restaurants, each waitperson must keep track of the cash they collect throughout their shift. This money is counted with a manager ... Effective Cash Handling for Your Restaurant Aug 3, 2023 — Securing cash: Safely store cash in locked cash drawers or safes throughout the day to prevent theft. Regularly deposit excess cash into a ... 7 Options for Restaurant Cash Handling Procedures ... Sep 22, 2020 — 1. Limit Cash Handling Employees · 2. Separate Cash Management Duties · 3. Assign One Employee to One Cash Drawer · 4. Perform Regular Cash Drops. Options for Restaurant Cash Handling Procedures You need two basic things for good cash handling procedures in your restaurant to work. Trustworthy staff handling the cash is a must, as is accountability. Restaurant Cash Handling Procedures and Policies Jan 15, 2019 — Here are some tips and tricks you can use in order to minimize discrepancies, prevent employee theft, and of course - prevent human errors:. 5 Ways to Stop Theft With Smarter Restaurant Cash ... Cash management in restaurants can help prevent staff theft and even out your balance sheet. · 1) Keep a Consistent System in Place · 2) Have Cashiers Own Their ... Cash Handling Policy Example May 26, 2022 — The basic premise should be that cash is never handled by only one person and should be controlled until it is deposited into the bank. 19 tips to improve your cash handling procedures (2023) Feb 15, 2023 — First, the door should be closed. Second, there should be security cameras pointing at the cash counting desk. Be sure to instruct staff to ... Standardizing Procedures for Cash Drawers in Restaurants Proper cash-handling procedures are an important aspect of successful restaurant management and loss prevention. By standardizing cash drawer procedures, ... 168 Sample Report

Card Comments (Plus a Printable ... Nov 17, 2023 — Use these sample report card comments for report cards. We have comments for everything you'd want to tell parents about their student. 107 Report Card Comments to Use and Adapt Mar 17, 2023 — For example, you'll be able to take a 1st grade number sense comment ... Write 50 report card comments for students studying social studies in 5th ... 125 Report Card Comments - Education World It's report card time and you face the prospect of writing constructive, insightful, and original comments on a couple dozen report cards or more. Report Card comments Feb 10, 2008 — I googled "report card comments" and found a few neat sites with good examples. Here is a list of just about every comment imaginable. 15 Best Report Card Comments Samples 6 days ago — Example Report Card Comments · 1. _____ is an excellent student who always comes prepared for class. · 2. _____ is a smart and inquisitive ... 100 Report Card Comments You Can Use Now 100 report card comments you can use right now! Provide valuable and insightful feedback to parents and students with this comprehensive list. 325 amazing report card comments and remarks to save ... Apr 4, 2022 — What's more difficult than creating your student report cards? Writing unique and meaningful report card comments. Creating report card ... Second quarter Report Card Comments. First Quarter. It has been a joy getting to know _____ this quarter. She is a kind and caring student who is always willing to ... 180 Report Card Comments for All Grades in 2023 May 4, 2023 — 180 Report Card Comments. Positive and negative report card comment demo. Copy to Text Blaze. enthusiastic positive always ready enthusiasm 2