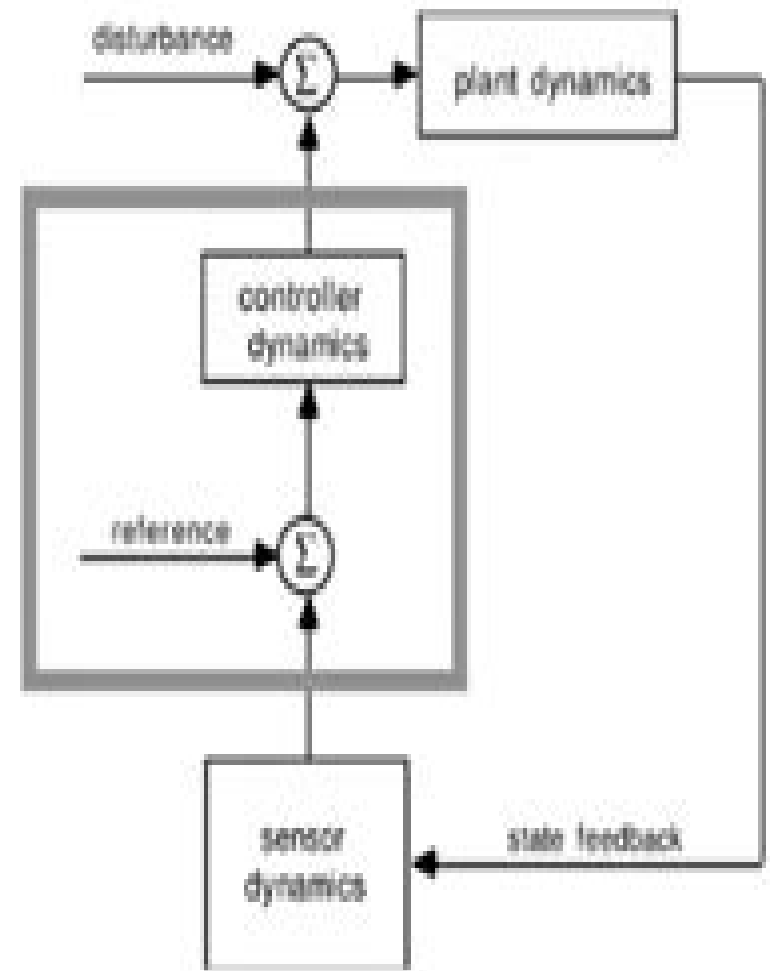
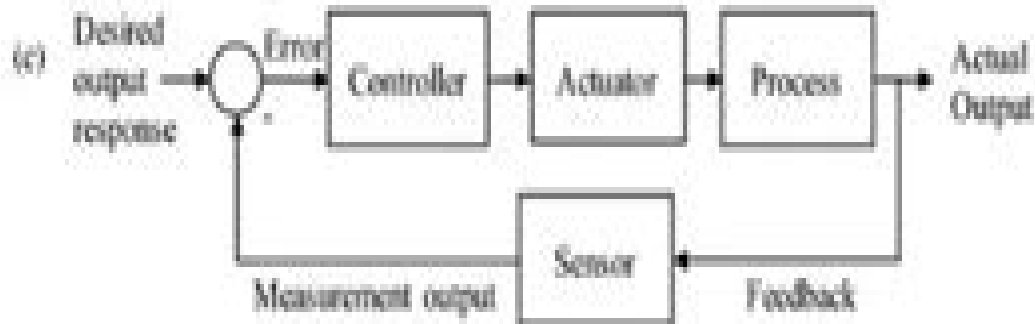
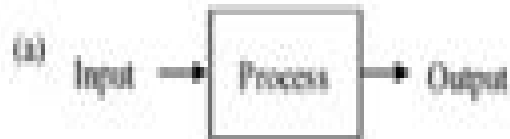


What is Control Engineering?



Control Systems Engineering And Design

Clifford Lane



Control Systems Engineering And Design:

Thank you definitely much for downloading **Control Systems Engineering And Design**. Most likely you have knowledge that, people have look numerous times for their favorite books in the same way as this Control Systems Engineering And Design, but end stirring in harmful downloads.

Rather than enjoying a good book later than a mug of coffee in the afternoon, on the other hand they juggled later some harmful virus inside their computer. **Control Systems Engineering And Design** is easily reached in our digital library an online entrance to it is set as public fittingly you can download it instantly. Our digital library saves in multipart countries, allowing you to acquire the most less latency time to download any of our books gone this one. Merely said, the Control Systems Engineering And Design is universally compatible in the manner of any devices to read.

https://gandalf.roeckerfam.com/results/browse/index.jsp/Cambridge_And_The_Torres_Strait_Centenary_Essays_On_The_1898_Anthropological_Expedition.pdf

Table of Contents Control Systems Engineering And Design

1. Understanding the eBook Control Systems Engineering And Design
 - The Rise of Digital Reading Control Systems Engineering And Design
 - Advantages of eBooks Over Traditional Books
2. Identifying Control Systems Engineering And Design
 - Exploring Different Genres
 - Considering Fiction vs. Non-Fiction
 - Determining Your Reading Goals
3. Choosing the Right eBook Platform
 - Popular eBook Platforms
 - Features to Look for in an Control Systems Engineering And Design
 - User-Friendly Interface
4. Exploring eBook Recommendations from Control Systems Engineering And Design
 - Personalized Recommendations

- Control Systems Engineering And Design User Reviews and Ratings
- Control Systems Engineering And Design and Bestseller Lists
- 5. Accessing Control Systems Engineering And Design Free and Paid eBooks
 - Control Systems Engineering And Design Public Domain eBooks
 - Control Systems Engineering And Design eBook Subscription Services
 - Control Systems Engineering And Design Budget-Friendly Options
- 6. Navigating Control Systems Engineering And Design eBook Formats
 - ePub, PDF, MOBI, and More
 - Control Systems Engineering And Design Compatibility with Devices
 - Control Systems Engineering And Design Enhanced eBook Features
- 7. Enhancing Your Reading Experience
 - Adjustable Fonts and Text Sizes of Control Systems Engineering And Design
 - Highlighting and Note-Taking Control Systems Engineering And Design
 - Interactive Elements Control Systems Engineering And Design
- 8. Staying Engaged with Control Systems Engineering And Design
 - Joining Online Reading Communities
 - Participating in Virtual Book Clubs
 - Following Authors and Publishers Control Systems Engineering And Design
- 9. Balancing eBooks and Physical Books Control Systems Engineering And Design
 - Benefits of a Digital Library
 - Creating a Diverse Reading Collection Control Systems Engineering And Design
- 10. Overcoming Reading Challenges
 - Dealing with Digital Eye Strain
 - Minimizing Distractions
 - Managing Screen Time
- 11. Cultivating a Reading Routine Control Systems Engineering And Design
 - Setting Reading Goals Control Systems Engineering And Design
 - Carving Out Dedicated Reading Time
- 12. Sourcing Reliable Information of Control Systems Engineering And Design
 - Fact-Checking eBook Content of Control Systems Engineering And Design

- Distinguishing Credible Sources
- 13. Promoting Lifelong Learning
 - Utilizing eBooks for Skill Development
 - Exploring Educational eBooks
- 14. Embracing eBook Trends
 - Integration of Multimedia Elements
 - Interactive and Gamified eBooks

Control Systems Engineering And Design Introduction

In the digital age, access to information has become easier than ever before. The ability to download Control Systems Engineering And Design has revolutionized the way we consume written content. Whether you are a student looking for course material, an avid reader searching for your next favorite book, or a professional seeking research papers, the option to download Control Systems Engineering And Design has opened up a world of possibilities. Downloading Control Systems Engineering And Design provides numerous advantages over physical copies of books and documents. Firstly, it is incredibly convenient. Gone are the days of carrying around heavy textbooks or bulky folders filled with papers. With the click of a button, you can gain immediate access to valuable resources on any device. This convenience allows for efficient studying, researching, and reading on the go. Moreover, the cost-effective nature of downloading Control Systems Engineering And Design has democratized knowledge. Traditional books and academic journals can be expensive, making it difficult for individuals with limited financial resources to access information. By offering free PDF downloads, publishers and authors are enabling a wider audience to benefit from their work. This inclusivity promotes equal opportunities for learning and personal growth. There are numerous websites and platforms where individuals can download Control Systems Engineering And Design. These websites range from academic databases offering research papers and journals to online libraries with an expansive collection of books from various genres. Many authors and publishers also upload their work to specific websites, granting readers access to their content without any charge. These platforms not only provide access to existing literature but also serve as an excellent platform for undiscovered authors to share their work with the world. However, it is essential to be cautious while downloading Control Systems Engineering And Design. Some websites may offer pirated or illegally obtained copies of copyrighted material. Engaging in such activities not only violates copyright laws but also undermines the efforts of authors, publishers, and researchers. To ensure ethical downloading, it is advisable to utilize reputable websites that prioritize the legal distribution of content. When downloading Control Systems Engineering And Design, users should also consider the potential security risks associated with online platforms. Malicious actors may exploit vulnerabilities in

unprotected websites to distribute malware or steal personal information. To protect themselves, individuals should ensure their devices have reliable antivirus software installed and validate the legitimacy of the websites they are downloading from. In conclusion, the ability to download Control Systems Engineering And Design has transformed the way we access information. With the convenience, cost-effectiveness, and accessibility it offers, free PDF downloads have become a popular choice for students, researchers, and book lovers worldwide. However, it is crucial to engage in ethical downloading practices and prioritize personal security when utilizing online platforms. By doing so, individuals can make the most of the vast array of free PDF resources available and embark on a journey of continuous learning and intellectual growth.

FAQs About Control Systems Engineering And Design Books

How do I know which eBook platform is the best for me? Finding the best eBook platform depends on your reading preferences and device compatibility. Research different platforms, read user reviews, and explore their features before making a choice. Are free eBooks of good quality? Yes, many reputable platforms offer high-quality free eBooks, including classics and public domain works. However, make sure to verify the source to ensure the eBook credibility. Can I read eBooks without an eReader? Absolutely! Most eBook platforms offer webbased readers or mobile apps that allow you to read eBooks on your computer, tablet, or smartphone. How do I avoid digital eye strain while reading eBooks? To prevent digital eye strain, take regular breaks, adjust the font size and background color, and ensure proper lighting while reading eBooks. What the advantage of interactive eBooks? Interactive eBooks incorporate multimedia elements, quizzes, and activities, enhancing the reader engagement and providing a more immersive learning experience. Control Systems Engineering And Design is one of the best book in our library for free trial. We provide copy of Control Systems Engineering And Design in digital format, so the resources that you find are reliable. There are also many Ebooks of related with Control Systems Engineering And Design. Where to download Control Systems Engineering And Design online for free? Are you looking for Control Systems Engineering And Design PDF? This is definitely going to save you time and cash in something you should think about. If you trying to find then search around for online. Without a doubt there are numerous these available and many of them have the freedom. However without doubt you receive whatever you purchase. An alternate way to get ideas is always to check another Control Systems Engineering And Design. This method for see exactly what may be included and adopt these ideas to your book. This site will almost certainly help you save time and effort, money and stress. If you are looking for free books then you really should consider finding to assist you try this. Several of Control Systems Engineering And Design are for sale to free while some are payable. If you arent sure if the books you would like to download works with for usage along with your computer, it is possible to download free trials. The free guides make it easy for someone to free

access online library for download books to your device. You can get free download on free trial for lots of books categories. Our library is the biggest of these that have literally hundreds of thousands of different products categories represented. You will also see that there are specific sites catered to different product types or categories, brands or niches related with Control Systems Engineering And Design. So depending on what exactly you are searching, you will be able to choose e books to suit your own need. Need to access completely for Campbell Biology Seventh Edition book? Access Ebook without any digging. And by having access to our ebook online or by storing it on your computer, you have convenient answers with Control Systems Engineering And Design To get started finding Control Systems Engineering And Design, you are right to find our website which has a comprehensive collection of books online. Our library is the biggest of these that have literally hundreds of thousands of different products represented. You will also see that there are specific sites catered to different categories or niches related with Control Systems Engineering And Design So depending on what exactly you are searching, you will be able to choose ebook to suit your own need. Thank you for reading Control Systems Engineering And Design. Maybe you have knowledge that, people have search numerous times for their favorite readings like this Control Systems Engineering And Design, but end up in harmful downloads. Rather than reading a good book with a cup of coffee in the afternoon, instead they juggled with some harmful bugs inside their laptop. Control Systems Engineering And Design is available in our book collection an online access to it is set as public so you can download it instantly. Our digital library spans in multiple locations, allowing you to get the most less latency time to download any of our books like this one. Merely said, Control Systems Engineering And Design is universally compatible with any devices to read.

Find Control Systems Engineering And Design :

[cambridge and the torres strait centenary essays on the 1898 anthropological expedition](#)

[cambodia after the khmer rouge inside the politics of nation building](#)

[call of duty](#)

[california dish what i saw and cooked at the american culinary revolution](#)

[california workers compensation basic stuff and survival guide](#)

cambridge companion to descartes

[california american commonwealths vol. 7](#)

[called by a new name becoming what god has promised](#)

[cambridge encyclopedia of russia and the soviet union](#)

cambridge encyclopedia of ornithology

[california juvenile laws & rules 2004](#)

california fault

[cambridge english for the world 2 workbook](#)

[cambio chameleon](#)

[cam jansen and the mystery of the stolen diamonds](#)

Control Systems Engineering And Design :

[neuroanatomy text and atlas fourth edition neuroanatomy text atlas](#) - Aug 21 2023

jun 15 2012 a doody s core title for 2015 neuroanatomy text and atlas covers neuroanatomy from both a functional and regional perspective to provide an understanding of how the components of the central nervous system work together to sense the world around us regulate body systems and produce behavior

john martin neuroanatomy text and atlas 2020 mc graw hill - May 06 2022

feb 21 2022 neuroanatomy addeddate 2022 02 21 12 49 31 identifier john martin neuroanatomy text and atlas 2020 mc graw hill identifier ark ark 13960 s2j8gxtmj47 ocr tesseract 5 0 0 1 g862e

[neuroanatomy text and atlas fourth edition paperback](#) - Jan 14 2023

jun 15 2012 neuroanatomy text and atlas covers neuroanatomy from both a functional and regional perspective to provide an understanding of how the components of the central nervous system work together to sense the world around us

neuroanatomy text and atlas fifth edition amazon com - Apr 05 2022

jul 3 2020 neuroanatomy text and atlas covers neuroanatomy from both a functional and regional perspective to provide an understanding of how the components of the central nervous system work together to sense the world around us

neuroanatomy text and atlas 4th edition by john h martin - Nov 12 2022

jun 15 2012 neuroanatomy text and atlas 4th edition by john h martin 9780071603966 booktopia booktopia has

neuroanatomy text and atlas 4th edition by john h martin buy a discounted paperback of neuroanatomy text and atlas

neuroanatomy text and atlas fourth edition neuroanatomy - Dec 13 2022

abebooks com neuroanatomy text and atlas fourth edition neuroanatomy text atlas martin 9780071603966 by martin john and a great selection of similar new used and collectible books available now at great prices

neuroanatomy text and atlas fourth edition google books - Jun 19 2023

jun 15 2012 this trusted text thoroughly covers the sensory motor and integrative skills of the brains and presents an overview of the function in relation to structure and the locations of the major

[neuroanatomy text and atlas fourth edition tapa blanda](#) - Sep 10 2022

neuroanatomy text and atlas covers neuroanatomy from both a functional and regional perspective to provide an

understanding of how the components of the central nervous system work together to sense the world around us regulate body systems and produce behavior

[neuroanatomy text and atlas martin john h john harry](#) - Jul 08 2022

xxiii 578 pages 29 cm companion v to principles of neural science edited by eric r kandel james h schwartz thomas m jessell 3rd ed c1991 includes bibliographical references and index access restricted item

[9780071603966 neuroanatomy text and atlas fourth edition](#) - Oct 11 2022

neuroanatomy text and atlas fourth edition martin published by mcgraw hill education 2012 isbn 10 0071603964 isbn 13 9780071603966 seller better world books ltd dunfermline united kingdom seller rating contact seller book used softcover condition very good us 21 33 convert currency us 8 55 shipping from united kingdom to u s a

[neuroanatomy text and atlas fourth edition paperback](#) - Feb 15 2023

apr 16 2012 buy neuroanatomy text and atlas fourth edition 4 by martin john isbn 8601416494289 from amazon s book store everyday low prices and free delivery on eligible orders

neuroanatomy text and atlas 5e mcgraw hill medical - Jun 07 2022

read this chapter of neuroanatomy text and atlas 5e online now exclusively on accessmedicine accessmedicine is a subscription based resource from mcgraw hill that features trusted medical content from the best minds in medicine

[neuroanatomy text and atlas fourth edition martin](#) - Jul 20 2023

neuroanatomy text and atlas fourth edition martin john amazon com tr Çerez tercihlerinizi seçin alışveriş deneyiminizi geliştirmek hizmetlerimizi sunmak müşterilerin hizmetlerimizi nasıl kullandığını anlayarak iyileştirmeler yapabilmek ve ilgi alanlarına göre özelleştirilmiş reklamlar da dahil olmak üzere reklamları

neuroanatomy text and atlas fourth edition default book series - Apr 17 2023

contents preface acknowledgments guide to using this book section i the central nervous system 1 organization of the central nervous system neurons and glia are the two principal cellular constituents of the nervous system the nervous system consists of separate peripheral and central components

isbn 9780071603966 neuroanatomy text and atlas fourth edition - Aug 09 2022

neuroanatomy text and atlas explores how parts of the nervous system work together to regulate body systems and produce behavior the book thoroughly covers the sensory motor and integrative systems of the brain and presents an overview of the function in relation to structure and the locations of major pathways and neuronal integrative regions

[neuroanatomy text and atlas fourth edition 4th ed](#) - Mar 16 2023

neuroanatomy text and atlas covers neuroanatomy from both a functional and regional perspective to provide an understanding of how the components of the central nervous system work together to sense the world around us regulate

body systems and produce behavior

[functional neuroanatomy text and atlas pdf free](#) - Feb 03 2022

aug 28 2022 superbly illustrated this core textbook reinforces an understanding of basic neuroanatomical structures by emphasizing their clinical significance in neurologic disease featuring a seamless integration of over 400 illustrations within the text functional neuroanatomy includes cross sectional atlas views of the brain and brain stem mri

neuroanatomy text and atlas 4e mcgraw hill medical - Sep 22 2023

read this chapter of neuroanatomy text and atlas 4e online now exclusively on accessneurology accessneurology is a subscription based resource from mcgraw hill that features trusted medical content from the best minds in medicine

functional neuroanatomy text and atlas afifi adel k free - Mar 04 2022

functional neuroanatomy text and atlas by afifi adel k publication date 1998 topics neuroanatomy neuroanatomy atlases brain magnetic resonance imaging atlases openlibrary edition ol22015731m openlibrary work ol2740907w page number confidence 97 33 pages 750 ppi 300

neuroanatomy text and atlas fourth edition default book series - May 18 2023

new full color images neuroanatomy text and atlas covers neuroanatomy from both a functional and regional perspective to provide an understanding of how the components of the central nervous system work together to sense the world around us regulate body systems and produce behavior

[les horloges de basse normandie livres sur sorgue](#) - Jun 12 2023

web les horloges de basse normandie auteur lerouxel gerard editeur guide heimdal date d édition 1981 taille in8 reliure agrafé nombre de pages 32 nombre total de

istanbul to basse normandie 10 ways to travel via train - Apr 29 2022

web the cheapest way to get from istanbul to basse normandie costs only 267 and the quickest way takes just 9½ hours find the travel option that best suits you i want to see

les horloges de basse normandie guide heimdal by gérard - Mar 09 2023

web horloge de parquet le plus renommé de basse normandie et certes le plus élégant qui soit celle de bayeux pte avec celle de vire parmi les plus rares et les plus recherchées un

les horloges de basse normandie lerouxel gerard guide - Aug 14 2023

web découvrez et achetez les horloges de basse normandie lerouxel gerard guide heimdal sur leslibraires fr

les horloges de basse normandie guide heimdal by gérard - Feb 08 2023

web normandie fr les horloges de basse normandie guide heimdal haute normandie fr heimdal livres vacances haute normandie guide du tourisme haute normandie

[les horloges de basse normandie guide heimdal by gérard](#) - Jan 27 2022

web les premières horloges la basse normandie est une ancienne région administrative française qui regroupait les trois départements du calvados de la manche et de l orne

[heure locale de basse normandie france europe](#) - Aug 02 2022

web l heure actuelle de basse normandie france a une différence de 2 heures par rapport à l heure moyenne de greenwich gmt en anglais coordonnées géographiques du

les horloges de basse normandie guide heimdal by gérard - Oct 24 2021

web april 10th 2020 les horloges de basse normandie guide heimdal 1981 de gérard lerouxel auteur 18 00 eur ou offre directe il se peut que les données sur le nombre d

[les horloges de basse normandie guide heimdal 2023](#) - Jan 07 2023

web les horloges de basse normandie guide heimdal recognizing the pretentiousness ways to get this book les horloges de basse normandie guide heimdal is

les horloges de basse normandie guide heimdal by gérard - Dec 26 2021

web retrouvez les horloges de basse normandie guide heimdal et des millions de livres en stock sur fr achetez neuf ou d occasion j aborde ici le thème des horloges restaurées

les horloges de basse normandie de gérard lerouxel heimdal - Jul 13 2023

web les horloges de basse normandie de gérard lerouxel heimdal livres historiques et militaria 8057120 achat et vente de matériel et d objets neufs ou d occasion de chasse

comment dire 1 heure en néerlandais explications colanguage - Mar 29 2022

web apprendre à lire la demi heure et le quart de l heure en néerlandais pour traduire la demi heure il faut employer la construction half le chiffre de l heure suivante exemple

[istanbul à basse normandie par train avion bus voiture](#) - Jul 01 2022

web vous avez 10 manières de vous rendre de istanbul à basse normandie la moins chère est en bus ce qui coûte 173 la plus rapide est en avion istanbul à caen et bus ce qui

download les horloges de basse normandie guide heimdal - Apr 10 2023

web oct 25 2020 download les horloges de basse normandie guide heimdal par gérard lerouxel pdf e book 157911 livre libre agriturismo siracusa it octobre 25

les horloges de basse normandie guide heimdal by gérard - Nov 24 2021

web les horloges de basse normandie guide heimdal by gérard lerouxel vacances haute normandie guide du tourisme haute normandie may 3rd 2020 si la haute

de heimdal à istanbul en train de 138 00 railcc - Sep 03 2022

web comment voyager de heimdal norvège à istanbul turquie en train 2766km achetez vos billets de train en ligne trouvez les tarifs des billets informations et horaires

les horloges de basse normandie guide heimdal by gérard - Sep 22 2021

web may 16 2023 présentation de la région haute normandie la maison france 5 dans les yvelines 78 et en haute normandie 25 juin 2014 duration 59 24 un ouvrage sur l

les horloges de basse normandie guide heimdal uniport edu - Dec 06 2022

web apr 10 2023 les horloges de basse normandie guide heimdal 1 5 downloaded from uniport edu ng on april 10 2023 by guest les horloges de basse normandie guide

istanbul to normandie niemen 7 ways to travel via train - Feb 25 2022

web there are 9 ways to get from istanbul to normandie niemen by plane bus train night train or car select an option below to see step by step directions and to compare ticket

la tour de l horloge les andelys nouvelle normandie - Oct 04 2022

web descriptif la tour de l horloge recouverte d ardoises a été bâtie dans la première moitié du 19e siècle improprement appelée le beffroi elle est située au carrefour de la

les horloges de basse normandie guide heimdal by gérard - May 11 2023

web april 30th 2020 note l horloge demoiselle est le modèle d horloge de parquet le plus renommé de basse normandie et certes le plus élégant qui soit celle de bayeux pte

heure locale exacte aux pays bas worldtimeserver com - May 31 2022

web heure d été commence le mars 26 2023 à 02 00 réglez votre horloge avant 1 heure termine le octobre 29 2023 à 03 00 réglez votre horloge retour 1 heure receive

les horloges de basse normandie guide heimdal - Nov 05 2022

web les horloges de basse normandie guide heimdal atlas social de basse normandie feb 22 2020 statistiques routières de la basse normandie edited by a hardel apr

a complete guide to the futures market technical analysis - Aug 06 2023

web dec 27 2016 a complete guide to the futures market details different trading and analytical approaches including chart analysis technical indicators and trading

fundamental analysis and trading a complete guide to the - Dec 18 2021

web a complete guide to the futures market technical analysis trading systems fundamental analysis options spreads and trading principles 2nd edition by jack

a complete guide to the futures market technical analysis and - Jul 25 2022

web a complete guide to the futures market will quickly become and remain for many years the definitive textbook for information on the futures market the book covers the gamut

[a complete guide to the futures market technical analysis](#) - Jun 23 2022

web dec 27 2016 a complete guide to the futures market technical analysis trading systems fundamental analysis options spreads and trading principles second edition

[a complete guide to the futures markets fundamental analysis](#) - Jun 04 2023

web dec 27 2016 this chapter explains what technical indicators are and how they are used technical indicators are mathematical formulas based on market data most often

a complete guide to the futures market wiley online library - Oct 16 2021

fundamental analysis and trading a complete guide to the - May 23 2022

web a complete guide to the futures markets fundamental analysis technical analysis trading spreads and options by schwager jack d 1948 publication date 1984

a complete guide to the futures market 2ed technical analysis - Mar 21 2022

web the essential futures market reference guide a complete guide to the futures market is the comprehensive resource for futures traders and analysts spanning everything from

a complete guide to the futures market technical analysis - Feb 17 2022

web 1 day ago by cecilia d anastasio november 7 2023 at 6 00 am pst myspace inc co founder chris dewolfe unveiled his latest social media product which uses artificial

a complete guide to the futures market technical - Oct 28 2022

web jan 4 2017 a complete guide to the futures market details different trading and analytical approaches including chart analysis technical indicators and trading

a complete guide to the futures market technical analysis - Sep 07 2023

web a complete guide to the futures market details different trading and analytical approaches including chart analysis technical indicators and trading systems

myspace co founder dewolfe s new firm uses ai to create - Jan 19 2022

web dec 27 2016 a complete guide to the futures market technical analysis trading systems fundamental analysis options spreads and trading principles second edition

a complete guide to the futures market fundamental analysis - Nov 16 2021

web dec 27 2016 abstract a trading range is a horizontal corridor that contains price fluctuations for an extended period
markets tend to spend most of their time in trading

a complete guide to the futures market wiley online books - Jul 05 2023

web jun 1 1984 a complete guide to the futures market technical analysis trading systems fundamental analysis options
spreads and trading principles wiley trading

a complete guide to the futures market technical analysis - Apr 02 2023

web complete guide to the futures market is the comprehensive resource for futures traders and analysts spanning
everything from technical analysis trading systems and

a complete guide to the futures market technical - Oct 08 2023

web jan 4 2017 a complete guide to the futures market details different trading and analytical approaches including chart
analysis technical indicators and trading

a complete guide to the futures market google books - Sep 26 2022

web jan 3 2017 a complete guide to the futures market details different trading and analytical approaches including chart
analysis technical indicators and trading

a complete guide to the futures market technical vitalsource - Nov 28 2022

web a complete guide to the futures market technical analysis and trading systems fundamental analysis options spreads and
trading principles second

wiley a complete guide to the futures market technical - Mar 01 2023

web a complete guide to the futures market is the comprehensive resource for futures traders and analysts spanning
everything from technical analysis trading systems and

technical indicators a complete guide to the futures market - May 03 2023

web apr 7 2017 a complete guide to the futures market will quickly become and remain for many years the definitive
textbook for information on the futures market the book

a complete guide to the futures market technical analysis and - Dec 30 2022

web spanning everything from technical analysis trading systems and fundamental analysis to options spreads and practical
trading principles a complete guide is required reading

a complete guide to the futures markets fundamental analysis - Apr 21 2022

web a complete guide to the futures market 2ed technical analysis trading systems fundamental analysis options spreads and
trading principles paperback 1 january

a complete guide to the futures market google books - Aug 26 2022

web dec 27 2016 a complete guide to the futures market technical analysis trading systems fundamental analysis options spreads and trading principles wiley

a complete guide to the futures market 2nd edition - Jan 31 2023

web summary a complete guide to the futures market is an indispensable reference for futures traders and analysts of all skill levels spanning every topic from technical