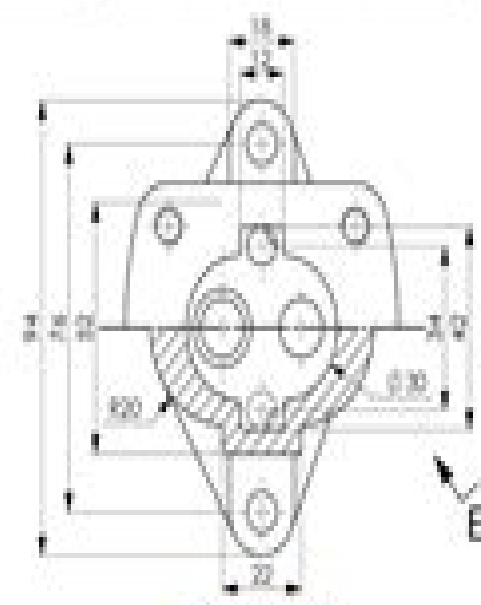
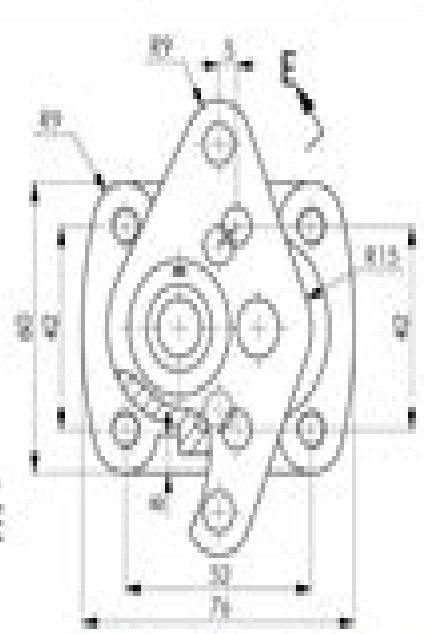


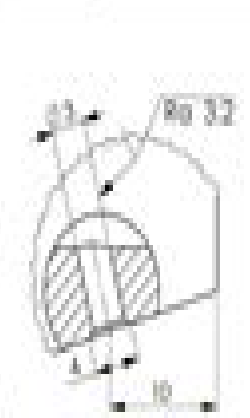
SECTION A-A
SCALE 1:1



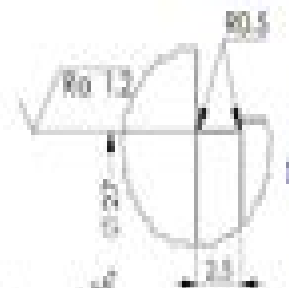
SECTION B-B
SCALE 1:1



SECTION C-C
SCALE 1:1



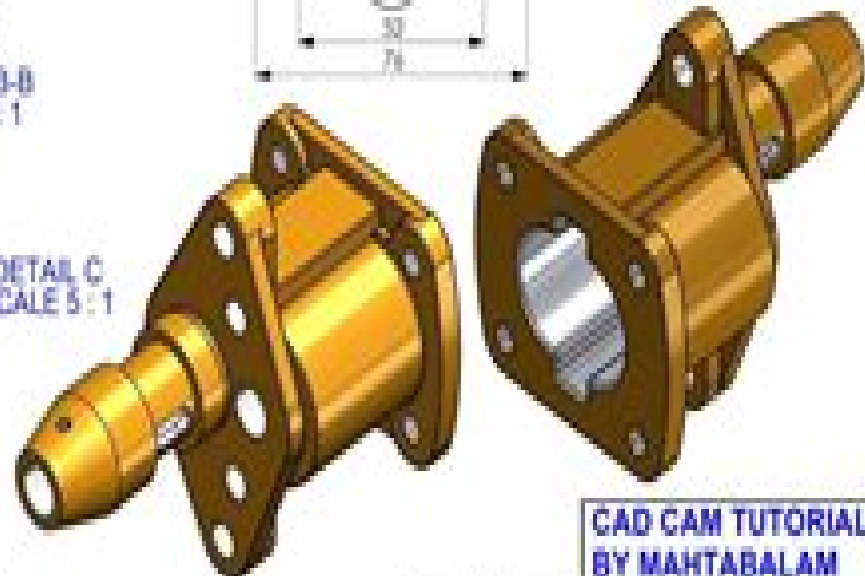
DETAIL D
SCALE 3:1



DETAIL C
SCALE 5:1



SECTION E-E
SCALE 1:1



NOTE:
1 ALL DIMENSIONS ARE IN MILLIMETERS
2 ALL FILLETS ARE 0.5mm
3 2 INCH FILLETS ARE 1mm
4 MATERIAL: CAST IRON 7180 kg/m³
5 MASS XXXX Gram??

CAD CAM TUTORIAL
BY MAHTABALAM

TITLE: **SOLIDWORKS
EXERCISE 224**

DATE	
DRAWN BY	
CHECKED BY	
APPROVED BY	
MATERIAL	Cast Iron 7180 kg/m ³
SCALE	1:1

A

SHEET 1 OF 1

D30 Tech Drawing Basic Concepts Drafting Cad Video Package

Lei Shi



D30 Tech Drawing Basic Concepts Drafting Cad Video Package:

Thank you very much for downloading **D30 Tech Drawing Basic Concepts Drafting Cad Video Package**. Maybe you have knowledge that, people have search numerous times for their chosen books like this D30 Tech Drawing Basic Concepts Drafting Cad Video Package, but end up in infectious downloads.

Rather than enjoying a good book with a cup of tea in the afternoon, instead they juggled with some malicious bugs inside their laptop.

D30 Tech Drawing Basic Concepts Drafting Cad Video Package is available in our digital library an online access to it is set as public so you can download it instantly.

Our books collection saves in multiple locations, allowing you to get the most less latency time to download any of our books like this one.

Merely said, the D30 Tech Drawing Basic Concepts Drafting Cad Video Package is universally compatible with any devices to read

https://gandalf.roeckerfam.com/results/Resources/Documents/duty_of_disclosure_in_insurance_contract_law.pdf

Table of Contents D30 Tech Drawing Basic Concepts Drafting Cad Video Package

1. Understanding the eBook D30 Tech Drawing Basic Concepts Drafting Cad Video Package
 - The Rise of Digital Reading D30 Tech Drawing Basic Concepts Drafting Cad Video Package
 - Advantages of eBooks Over Traditional Books
2. Identifying D30 Tech Drawing Basic Concepts Drafting Cad Video Package
 - Exploring Different Genres
 - Considering Fiction vs. Non-Fiction
 - Determining Your Reading Goals
3. Choosing the Right eBook Platform
 - Popular eBook Platforms
 - Features to Look for in an D30 Tech Drawing Basic Concepts Drafting Cad Video Package
 - User-Friendly Interface

4. Exploring eBook Recommendations from D30 Tech Drawing Basic Concepts Drafting Cad Video Package
 - Personalized Recommendations
 - D30 Tech Drawing Basic Concepts Drafting Cad Video Package User Reviews and Ratings
 - D30 Tech Drawing Basic Concepts Drafting Cad Video Package and Bestseller Lists
5. Accessing D30 Tech Drawing Basic Concepts Drafting Cad Video Package Free and Paid eBooks
 - D30 Tech Drawing Basic Concepts Drafting Cad Video Package Public Domain eBooks
 - D30 Tech Drawing Basic Concepts Drafting Cad Video Package eBook Subscription Services
 - D30 Tech Drawing Basic Concepts Drafting Cad Video Package Budget-Friendly Options
6. Navigating D30 Tech Drawing Basic Concepts Drafting Cad Video Package eBook Formats
 - ePub, PDF, MOBI, and More
 - D30 Tech Drawing Basic Concepts Drafting Cad Video Package Compatibility with Devices
 - D30 Tech Drawing Basic Concepts Drafting Cad Video Package Enhanced eBook Features
7. Enhancing Your Reading Experience
 - Adjustable Fonts and Text Sizes of D30 Tech Drawing Basic Concepts Drafting Cad Video Package
 - Highlighting and Note-Taking D30 Tech Drawing Basic Concepts Drafting Cad Video Package
 - Interactive Elements D30 Tech Drawing Basic Concepts Drafting Cad Video Package
8. Staying Engaged with D30 Tech Drawing Basic Concepts Drafting Cad Video Package
 - Joining Online Reading Communities
 - Participating in Virtual Book Clubs
 - Following Authors and Publishers D30 Tech Drawing Basic Concepts Drafting Cad Video Package
9. Balancing eBooks and Physical Books D30 Tech Drawing Basic Concepts Drafting Cad Video Package
 - Benefits of a Digital Library
 - Creating a Diverse Reading Collection D30 Tech Drawing Basic Concepts Drafting Cad Video Package
10. Overcoming Reading Challenges
 - Dealing with Digital Eye Strain
 - Minimizing Distractions
 - Managing Screen Time
11. Cultivating a Reading Routine D30 Tech Drawing Basic Concepts Drafting Cad Video Package
 - Setting Reading Goals D30 Tech Drawing Basic Concepts Drafting Cad Video Package
 - Carving Out Dedicated Reading Time

12. Sourcing Reliable Information of D30 Tech Drawing Basic Concepts Drafting Cad Video Package
 - Fact-Checking eBook Content of D30 Tech Drawing Basic Concepts Drafting Cad Video Package
 - Distinguishing Credible Sources
13. Promoting Lifelong Learning
 - Utilizing eBooks for Skill Development
 - Exploring Educational eBooks
14. Embracing eBook Trends
 - Integration of Multimedia Elements
 - Interactive and Gamified eBooks

D30 Tech Drawing Basic Concepts Drafting Cad Video Package Introduction

D30 Tech Drawing Basic Concepts Drafting Cad Video Package Offers over 60,000 free eBooks, including many classics that are in the public domain. Open Library: Provides access to over 1 million free eBooks, including classic literature and contemporary works. D30 Tech Drawing Basic Concepts Drafting Cad Video Package Offers a vast collection of books, some of which are available for free as PDF downloads, particularly older books in the public domain. D30 Tech Drawing Basic Concepts Drafting Cad Video Package : This website hosts a vast collection of scientific articles, books, and textbooks. While it operates in a legal gray area due to copyright issues, its a popular resource for finding various publications. Internet Archive for D30 Tech Drawing Basic Concepts Drafting Cad Video Package : Has an extensive collection of digital content, including books, articles, videos, and more. It has a massive library of free downloadable books. Free-eBooks D30 Tech Drawing Basic Concepts Drafting Cad Video Package Offers a diverse range of free eBooks across various genres. D30 Tech Drawing Basic Concepts Drafting Cad Video Package Focuses mainly on educational books, textbooks, and business books. It offers free PDF downloads for educational purposes. D30 Tech Drawing Basic Concepts Drafting Cad Video Package Provides a large selection of free eBooks in different genres, which are available for download in various formats, including PDF. Finding specific D30 Tech Drawing Basic Concepts Drafting Cad Video Package, especially related to D30 Tech Drawing Basic Concepts Drafting Cad Video Package, might be challenging as theyre often artistic creations rather than practical blueprints. However, you can explore the following steps to search for or create your own Online Searches: Look for websites, forums, or blogs dedicated to D30 Tech Drawing Basic Concepts Drafting Cad Video Package, Sometimes enthusiasts share their designs or concepts in PDF format. Books and Magazines Some D30 Tech Drawing Basic Concepts Drafting Cad Video Package books or magazines might include. Look for these in online stores or libraries. Remember that while D30 Tech Drawing Basic Concepts Drafting Cad Video Package, sharing copyrighted material without permission is not

legal. Always ensure you're either creating your own or obtaining them from legitimate sources that allow sharing and downloading. Library Check if your local library offers eBook lending services. Many libraries have digital catalogs where you can borrow D30 Tech Drawing Basic Concepts Drafting Cad Video Package eBooks for free, including popular titles. Online Retailers: Websites like Amazon, Google Books, or Apple Books often sell eBooks. Sometimes, authors or publishers offer promotions or free periods for certain books. Authors Website Occasionally, authors provide excerpts or short stories for free on their websites. While this might not be the D30 Tech Drawing Basic Concepts Drafting Cad Video Package full book, it can give you a taste of the authors writing style. Subscription Services Platforms like Kindle Unlimited or Scribd offer subscription-based access to a wide range of D30 Tech Drawing Basic Concepts Drafting Cad Video Package eBooks, including some popular titles.

FAQs About D30 Tech Drawing Basic Concepts Drafting Cad Video Package Books

How do I know which eBook platform is the best for me? Finding the best eBook platform depends on your reading preferences and device compatibility. Research different platforms, read user reviews, and explore their features before making a choice. Are free eBooks of good quality? Yes, many reputable platforms offer high-quality free eBooks, including classics and public domain works. However, make sure to verify the source to ensure the eBook credibility. Can I read eBooks without an eReader? Absolutely! Most eBook platforms offer web-based readers or mobile apps that allow you to read eBooks on your computer, tablet, or smartphone. How do I avoid digital eye strain while reading eBooks? To prevent digital eye strain, take regular breaks, adjust the font size and background color, and ensure proper lighting while reading eBooks. What the advantage of interactive eBooks? Interactive eBooks incorporate multimedia elements, quizzes, and activities, enhancing the reader engagement and providing a more immersive learning experience. D30 Tech Drawing Basic Concepts Drafting Cad Video Package is one of the best book in our library for free trial. We provide copy of D30 Tech Drawing Basic Concepts Drafting Cad Video Package in digital format, so the resources that you find are reliable. There are also many Ebooks of related with D30 Tech Drawing Basic Concepts Drafting Cad Video Package. Where to download D30 Tech Drawing Basic Concepts Drafting Cad Video Package online for free? Are you looking for D30 Tech Drawing Basic Concepts Drafting Cad Video Package PDF? This is definitely going to save you time and cash in something you should think about.

Find D30 Tech Drawing Basic Concepts Drafting Cad Video Package :

duty of disclosure in insurance contract law

dynamic project management a practical guide for managers and engineers

duccio di buoninsegna the documents and early sources

dynamical systems and applications

dusty road from perth

durkheim and postmodern culture

duck stickamajigs

duane michals photographs sequences texts 19581984

dxr clinic interactive skill enhancement in clinical problem solving

dukes mixture

duel of jewels

dynamic flexibility warming up on the move

dvd revolution movies culture and technology

dukes wager lord of dishonor

duet for cannibals a screenplay

D30 Tech Drawing Basic Concepts Drafting Cad Video Package :

free quickbooks tutorials 5 hours of video tutorial online - Mar 18 2022

web quickbooks training course 5 hours offer ends in nana nana na off enroll for free skills you will master quickbooks

customer tab vendor tab employees tab employees tab banking tab profit and loss format balance sheet reports cash flow reports and service customer center income bar invoice creation receive payment credit

quickbooks online accountant training quickbooks certification - Mar 30 2023

web dive into training resources and certification exams right from the proadvisor tab of quickbooks online accountant get tips for moving your firm and clients to the cloud practice navigating your clients quickbooks online

online edition quickbooks - Jul 02 2023

web real world training was founded in 1992 by david j o brien cpa initially the company provided one on one accounting software training to small businesses in 1994 the company began focusing exclusively on quickbooks and began offering training courses on the program in 1996 real world training developed the mastering quickbooks

quickbooks practice files tlr inc - Aug 23 2022

web why tlr tlr s quickbooks training guides and easy to follow quickbooks instruction will guide you through all of your quickbooks software our secured instructor area makes our quickbooks training guides easily accessible and provides you

with quickbooks instruction that offer independent lessons so that you can learn what you want when you

quickbooks training for beginners 4 hours quickbooks youtube - Feb 14 2022

web this beginner friendly quickbooks tutorial provides an overview of quickbooks desktop 2023 in this 4 hour video training we cover the basics of setting up

training and certification quickbooks accountant university - Sep 04 2023

web the training you need the flexibility you want our curriculum lets you tailor training to your schedule and experience level learn quickbooks accounting products prep for certification and more earning cpe credits with every step

46 free quickbooks tutorials learn quickbooks fast video - Aug 03 2023

web nov 3 2022 the best quickbooks training courses offer flexible training sessions for students the option of live or self paced are expert led and come with supplemental resources such as reference manuals study guides and instructional videos

quickbooks online education exercise set 1 intuit - Oct 05 2023

web since you re just getting started in quickbooks there is a lot to learn do the following exercises to practice navigating quickbooks online 1 visit the quickbooks sign in page qbo ca intuit com bookmark the sign in page to make it easy to sign in for future work in quickbooks online 2

quickbooks training classes learn quickbooks online or - Jul 22 2022

web from the makers of quickbooks live online 2 day training in quickbooks online or desktop editions learn from experts and get answers to your quickbooks questions comprehensive classes with over 15 hours of training classes are 100 guaranteed

intuit quickbooks youtube - Jun 20 2022

web we work for them by providing smarter business tools quickbooks is always backing you follow us on twitter at quickbooks for u s sales 844 344 3068 quickbooks

details of pre approved digital solution annex 3 - Oct 13 2021

web 2 hours of quickbooks online training which comprises hands on exercise and useful tips per man day 0 25 5 others not applicable total 2 017 00 1 915 00 1 a higher upgrade of the software version is acceptable for example solution version 3 x allow anything from 3 0 to 3 99999 2 as specified in the letter of appointment imda may exercise

quickbooks desktop pro 2022 training manual classroom in a - Feb 26 2023

web complete classroom training manual for quickbooks desktop pro 2022 303 pages and 190 individual topics includes practice exercises and keyboard shortcuts you will learn how to set up a

fast easy qbo fast easy qbo - Nov 25 2022

web are you frustrated with the time consuming and confusing quickbooks online proadvisor basic course training you re not alone we re here to make it clear and easy to understand we save you potentially weeks or months with our videos and

hands on practice exercises

training certification quickbooks online accountants - Oct 25 2022

web become a quickbooks pro so you re ready to answer client s questions and earn cpd credits with specially designed webinars and live training from quickbooks

quickbooks online training courses linkedin - Dec 27 2022

web may 8 2023 learn small business accounting and how to use quickbooks with our quickbooks training our expert instructors help you learn quickbooks by explaining core features how to create accounts

intuit academy bookkeeping professional certificate coursera - Dec 15 2021

web you ll gain a foundational understanding of accounting principles and an introduction to quickbooks online through hands on practice working with real world accounting scenarios upon completion you ll be ready to take the intuit academy bookkeeping exam

get started quickbooks tutorials us quickbooks online us - May 20 2022

web by quickbooks get started join our us quickbooks community where small business owners and product experts connect to answer questions share best practices and offer advice

quickbooks tutorial training course teachucomp inc - Sep 23 2022

web this quickbooks training course covers the same material as our two day classroom training and was designed to provide a solid foundation in quickbooks course includes video lessons printable instruction manuals a practice exam with evaluative feedback find out why your answers are right or wrong your final exam submission and a course

quickbooks online education exercises green tree landscapes - Jan 16 2022

web quickbooks online education exercises green tree landscapes throughout this text you ll follow the establishment setup and growth of a fictitious company called green tree landscapes green tree landscapes is new

video tutorials learn quickbooks online quickbooks - Jun 01 2023

web 50 off for 3 months quickbooks video tutorials learn quickbooks online learn and support learn how to set up your small business for success with these quickbooks tutorials create custom invoices track expenses and view statements and performance reports anytime anywhere

quickbooks online the complete tutorial by hector garcia cpa - Apr 18 2022

web jun 23 2020 quickbooks 30 day free trial 30 off for 12 months quickbooks intuit com partners irp cid irp 4337 pricing quickbookstable of contents for quick

how to use the sample and exercise files quickbooks pro video - Apr 30 2023

web from the course quickbooks pro 2021 essential training start my 1 month free trial buy this course 39 99 i ve also given

you some exercise files to work with

quickbooks practice exercises pdf meaningkosh - Nov 13 2021

web the quickbooks practice exercises pdf provides learners with an opportunity to test their understanding of the basics of the accounting platform it includes questions and answers covering different aspects including transaction management and compliance

quickbooks online in 90 mins for bookkeeping accounting - Jan 28 2023

web 90 mins of expert instructor led video using a real life practical example of a cupcake shop setting up using quickbooks online for the first time bite sized and easy to digest videos with no fluff quizzes and exercises at the completion of all chapters to

note taking study guide building overseas empires pdf - May 13 2023

web note taking study guide building overseas empires note taking study guide answers world history chapter 15 dec 21 2020 web united states history note taking study guide 4 18 downloaded from stats ijm org on march 20 2023 by guest and shipped to one of ten relocation centers hundreds or thousands of miles from home where

download file note taking study guide building overseas empires - Oct 06 2022

web download file note taking study guide building overseas empires pdf free copy how to make a study guide that works for you quizlet how to study learning how to take good notes and how not to brainscape quiz worksheet note taking study guides study com educ 1300 effective learning strategies

note taking study guide building overseas empires - Nov 07 2022

web jun 13 2023 read online note taking study guide building overseas empires epub sun 21 jan 2018 1 1 read online note taking study guide building overseas empires epub note taking study guide building overseas empires pdf

chapter 9 note taking study guide mira costa high school - Aug 16 2023

web chart below with the multiple causes of imperialism in the 1800s many western countries built overseas empires in the late 1800s this expansion referred to as imperialism is the domination by one country of the political economic or cultural life of another country or region in the 1800s europeans embarked on a path of aggressive

note taking study guide building overseas empires pdf 2023 - May 01 2022

web jun 12 2023 right site to start getting this info get the note taking study guide building overseas empires pdf member that we come up with the money for here and check out the link you could purchase lead note taking study guide building overseas empires pdf or get it as soon as feasible

note taking study guide building overseas empires pdf - Aug 04 2022

web jun 20 2023 note taking study guide building overseas empires is available in our book collection an online access to it

is set as public so you can download it instantly our digital library spans in multiple locations allowing

note taking study guide building overseas empires pdf dev - Sep 05 2022

web note taking study guide building overseas empires 1 5 downloaded from dev pulitzercenter org on february 11 2023 by guest note taking study guide building overseas empires eventually you will utterly discover a additional experience and deed by spending more cash nevertheless when accomplish you agree to that you

note taking study guide building overseas empires download - Mar 11 2023

web jul 29 2019 note taking study guide building overseas empires github gist instantly share code notes and snippets

note taking study guide building overseas empires download - Dec 08 2022

web getting this info acquire the note taking study guide building overseas empires partner that we manage to pay for here and check out the link you could purchase lead note taking study guide building overseas empires or acquire it as soon as feasible you could quickly download this note taking study guide building overseas

note taking study guide building overseas empires pdf gcca - Jun 14 2023

web mar 22 2023 provide note taking study guide building overseas empires pdf and numerous ebook collections from fictions to scientific research in any way in the midst of them is this note taking study guide building overseas empires pdf that can be your partner barbed wire imperialism aidan forth 2017 10 03 introduction britain s

the international student s guide to taking great notes study - Jan 29 2022

web oct 25 2021 the international student s guide to taking great notes oct 25 2021 by niki bridges as an international student you will find yourself facing different sights sounds and social situations than what you are used to the same goes for inside the classroom where the presentation of the course material and the expectations that

top note taking courses online updated september 2023 - Dec 28 2021

web structured note taking vol 2 create a mistakes journalcreate a mistakes journal to keep track of all your mistakes so that you can find solutions and patterns in your data rating 4 4 out of 525 reviews3 5 total hours23 lecturesall levels

note taking study guide building overseas empires - Jan 09 2023

web free download note taking study guide building overseas empires and more than 10 million titles covering every imaginable genre at your fingertips

note taking study guide building overseas empires 2022 - Jun 02 2022

web chapter 22 note taking study guide your ultimate guide to better note taking examtime 1288704 irnsg ak bw qxd 19 01 2006 13 27 page 2 1 the rise of islam ection appleabc123 com reading and note taking study guide fcps note taking study guide building overseas empires chapter 12 section 1 note taking

note taking study guide building overseas empires pdf full - Jul 15 2023

web note taking study guide building overseas empires pdf introduction note taking study guide building overseas empires pdf full pdf study skills box set fiona mcpherson 2018 a successful student uses effective strategies this box set includes 4 workbooks on study skills the first looks

ebook note taking study guide building overseas empires - Feb 27 2022

web ebook note taking study guide building overseas empires read free note taking manual how to study in college effective notetaking study skills pivotal certified professional core spring 5 developer exam the good study guide by the people pearson texas united states history the asq

ebook note taking study guide building overseas empires pdf - Jul 03 2022

web this note taking study guide building overseas empires pdf as one of the most functional sellers here will agreed be accompanied by the best options to review american empire a g hopkins 2019 08 27

note taking study guide building overseas empires download - Feb 10 2023

web we give note taking study guide building overseas empires and numerous books collections from fictions to scientific research in any way along with them is this note taking study guide building overseas empires that can be your partner note taking study guide building overseas empires 2023 05 27 singh cassidy 1 the rise

downloadable free pdfs note taking study guide building overseas empires - Apr 12 2023

web note taking study guide building overseas empires building maintenance dec 22 2021 national contractor s exam study guide feb 04 2023 publisher s note products purchased from third party sellers are not guaranteed by the publisher for quality authenticity or access to any online entitlements included with the product

note taking study guide building overseas empires liululu - Mar 31 2022

web note taking study guide building overseas empires ebooks note taking study guide building overseas empires is available on pdf epub and doc format 24 1 building overseas empires no notes for slide 24 1 building overseas empires 1 24 1

jedidiah s bride lancaster county weddings book 2 english - Aug 26 2022

web jedidiah s bride lancaster county weddings book 2 english edition ebook kertz rebecca amazon es tienda kindle

lancaster county weddings series by rebecca kertz goodreads - Nov 28 2022

web lancaster county weddings binding two hearts as one in amish country noah s sweetheart lancaster county weddings 1 jedidiah s bride lancaster count

jedidiah s bride mills boon love inspired lancaster county - Mar 01 2023

web may 1 2014 jedidiah s bride mills boon love inspired lancaster county weddings book 2 ebook kertz rebecca amazon co uk kindle store

jedidiah s bride lancaster county weddings book 2 mills - Jul 05 2023

web a place of their own when handsome stranger jedidiah lapp saves her twin brothers lives sarah mast offers him her heartfelt thanks and a cherry pie but she never expects to see him again when they meet once more at sunday services sarah begins to feel something special for him jedidiah is ea

[jedidiah s bride lancaster county weddings 2 abebooks](#) - Dec 30 2022

web abebooks com jedidiah s bride lancaster county weddings 2 new jedidiah s bride lancaster county weddings 2 by kertz rebecca new paperback 2014 goldenwavesofbooks skip to main content

jedidiah s bride lancaster county weddings book 2 by - Jun 04 2023

web the second book in the lancaster county weddings series a novel by rebecca kertz a place of their own when handsome stranger jedidiah lapp saves her twin brothers lives sarah mast offers him her heartfelt thanks

jedidiah s bride mills boon love inspired lancaster county - Jan 31 2023

web jedidiah s bride mills boon love inspired lancaster county weddings book 2 ebook written by rebecca kertz read this book using google play books app on your pc android ios

jedidiah s bride lancaster county weddings 2 taschenbuch amazon de - Oct 28 2022

web jedidiah s bride lancaster county weddings 2 kertz rebecca isbn 9780373878840 kostenloser versand für alle bücher mit versand und verkauf duch amazon

jedidiah s bride lancaster county weddings 2 goodreads - Sep 07 2023

web jan 1 2014 kindle 4 99 rate this book lancaster county weddings 2 jedidiah s bride rebecca kertz 4 15 144 ratings22 reviews a place of their own when handsome stranger jedidiah lapp saves her twin brothers lives sarah mast offers him her heartfelt thanks and a cherry pie but she never expects to see him again

jedidiah s bride lancaster county weddings book 2 - Oct 08 2023

web may 1 2014 jedidiah s bride lancaster county weddings book 2 kindle edition by kertz rebecca download it once and read it on your kindle device pc phones or tablets use features like bookmarks note taking and highlighting while reading jedidiah s bride lancaster county weddings book 2

jedidiah s bride by rebecca kertz overdrive - Feb 17 2022

web may 1 2014 jedidiah s bride ebook mid lancaster county weddings by rebecca kertz read a sample sign up to save your library with an overdrive account you can save your favorite libraries for at a glance information about availability lancaster county weddings author rebecca kertz publisher harlequin release 01 may 2014

jedidiahs bride lancaster county weddings book 2 copy - Mar 21 2022

web jedidiahs bride lancaster county weddings book 2 below wedding chapel in nj event venue hall nj by richfield regency no matter your decision our wedding professionals will assist in making your day truly memorable with expert service beginning

with 39 i dos 39 within our on site

jedidiah s bride lancaster county weddings book 2 ebook - May 03 2023

web may 1 2014 jedidiah s bride lancaster county weddings book 2 ebook kertz rebecca amazon co uk kindle store

jedidiah s bride lancaster county weddings 2 amazon com - Aug 06 2023

web apr 15 2014 jedidiah s bride lancaster county weddings 2 kertz rebecca on amazon com free shipping on qualifying offers jedidiah s bride lancaster county weddings 2

jedidiah s bride lancaster county weddings book 2 english - Jul 25 2022

web achetez et téléchargez ebook jedidiah s bride lancaster county weddings book 2 english edition boutique kindle genre fiction amazon fr

jedidiah s bride and plain threats lancaster county weddings - Apr 21 2022

web apr 26 2016 jedidiah s bride and plain threats lancaster county weddings kertz rebecca stone alison on amazon com free shipping on qualifying offers jedidiah s bride and plain threats lancaster county weddings

jedidiah s bride by rebecca kertz overdrive - Sep 26 2022

web may 1 2014 jedidiah s bride ebook mid lancaster county weddings book 2 lancaster county weddings by rebecca kertz

jedidiah s bride lancaster county weddings 2 softcover - Apr 02 2023

web jedidiah s bride lancaster county weddings 2 by kertz rebecca isbn 10 0373817630 isbn 13 9780373817634 love inspired larger print 2014 softcover jedidiah s bride lancaster county weddings 2 kertz rebecca 9780373817634

jedidiah s bride lancaster county weddings bk 2 love inspired - Jun 23 2022

web jedidiah s bride by rebecca kertz 4 4 of 5 stars paperback 9780373817634

jedidiah s bride harlequin com - May 23 2022

web read the best romance books at unbeatable savings with your monthly selection of a new book bundle and a library packed with great romance e reads you can read more than 50 books each month for only 14 99 with harlequin plus