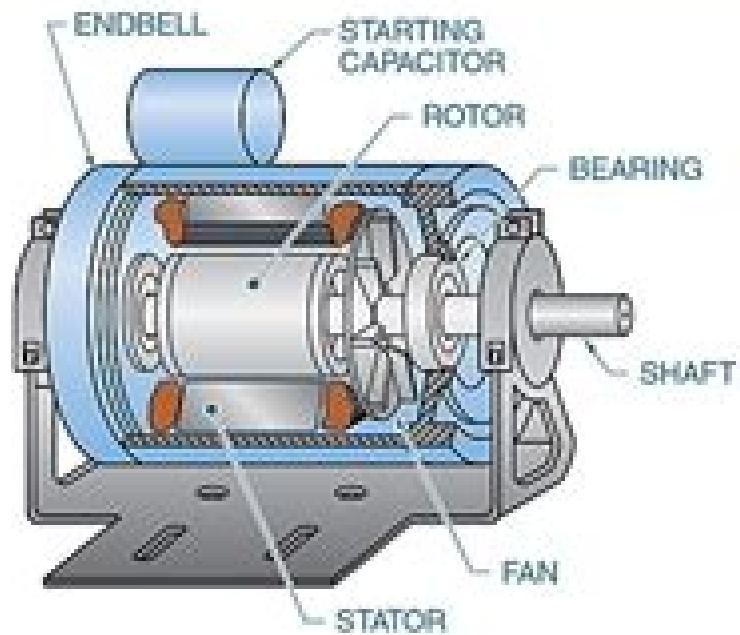


AC MOTORS



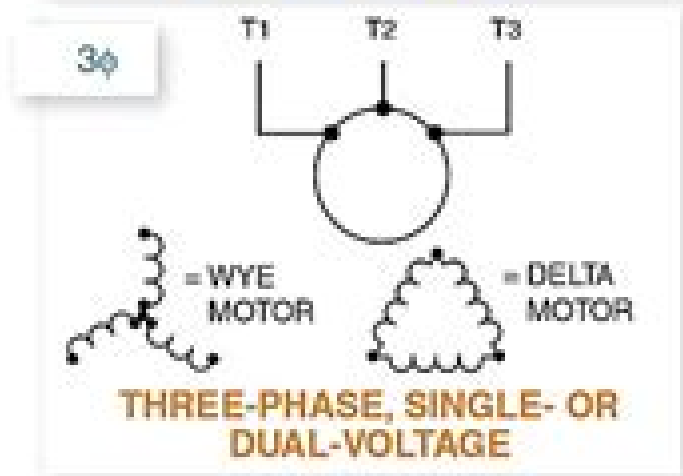
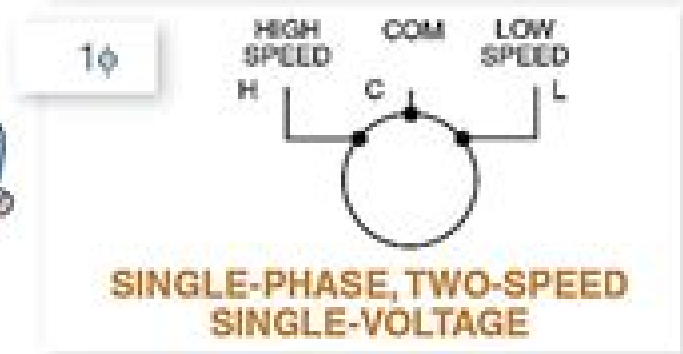
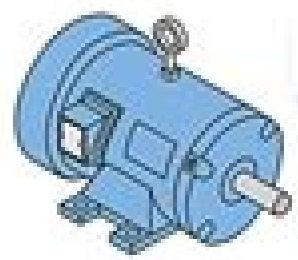
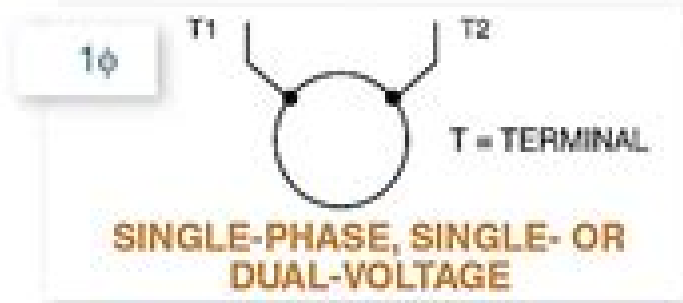
SINGLE-PHASE (1 ϕ)



GE Motors & Industrial Systems

THREE-PHASE (3 ϕ)

Alternating Current Motor Symbols



Alternating Current Motor Repair

Daniel H. Braymer



Alternating Current Motor Repair:

Alternating-current Motor Repair Clifford Chuthorn Carr, David Lasser, 1929
Cecil Roe, 1941 **Alternating-current Motor Repair** Arthur Cecil Roe, 1941 **Armature Winding and Motor Repair** Daniel H. Braymer, 2011-03-23 First published in 1920 this comprehensive manual on armature winding and motor repair offers a detailed collection of practical electrical methods to fix motor and generator problems To be used by maintenance specialists and electrical engineers Daniel H Braymer s compilation of material was obtained through practical engagement in repair shop work power station work and the maintenance of motors in industrial plants Full of firsthand experience the volume will provide answers to those needing assistance in armature winding and many other electrical problems that can occur within the workshop Chapters in this volume include Direct Current Windings Alternating Current Windings Repair Shop Methods for Rewinding D C Armatures Testing Direct Current Armature Windings Insulating Coils and Slots for D C and A C Windings Practical Ways for Reconnecting Induction Motors Inspection and Repair of Motor Starters Motors and Generators Machine Equipment and Tools Needed in a Repair Shop Republished by Read Co Books Armature Winding and Motor Repair continues to be considered a valuable asset within the subject It provides a handy guide for any practical repairman looking to enlarge their knowledge of solving electrical problems while also appealing to amateurs just starting in the field **Armature Winding and Motor Repair** Daniel Harvey Braymer, 1920 [Armature Winding and Motor Repair](#) Daniel Harvey Braymer, 2018-10-25 This work has been selected by scholars as being culturally important and is part of the knowledge base of civilization as we know it This work is in the public domain in the United States of America and possibly other nations Within the United States you may freely copy and distribute this work as no entity individual or corporate has a copyright on the body of the work Scholars believe and we concur that this work is important enough to be preserved reproduced and made generally available to the public To ensure a quality reading experience this work has been proofread and republished using a format that seamlessly blends the original graphical elements with text in an easy to read typeface We appreciate your support of the preservation process and thank you for being an important part of keeping this knowledge alive and relevant **A-C Motor Repair and Rewinding** Arthur Cecil Roe, Adolphus Mansfield Dudley, 1941 [Rewinding and Connecting Alternating-current Motors](#) Daniel Harvey Braymer, Arthur Cecil Roe, 1932 *Popular Mechanics*, 1951-04 Popular Mechanics inspires instructs and influences readers to help them master the modern world Whether it s practical DIY home improvement tips gadgets and digital technology information on the newest cars or the latest breakthroughs in science PM is the ultimate guide to our high tech lifestyle **The Popular Science Monthly**, 1950 **Industrial Arts Index**, 1927 *Armature Winding and Motor Repair* Daniel Harvey Braymer, 2015-02-08 This work has been selected by scholars as being culturally important and is part of the knowledge base of civilization as we know it This work was reproduced from the original artifact and remains as true to the original work as possible Therefore you will see the original

copyright references library stamps as most of these works have been housed in our most important libraries around the world and other notations in the work This work is in the public domain in the United States of America and possibly other nations Within the United States you may freely copy and distribute this work as no entity individual or corporate has a copyright on the body of the work As a reproduction of a historical artifact this work may contain missing or blurred pages poor pictures errant marks etc Scholars believe and we concur that this work is important enough to be preserved reproduced and made generally available to the public We appreciate your support of the preservation process and thank you for being an important part of keeping this knowledge alive and relevant

Alternating Current Electric Motors Brook Motors Limited,1954 **Armature Winding and Motor Repair** Daniel Harvey Braymer,2015-08-08 This work has been selected by scholars as being culturally important and is part of the knowledge base of civilization as we know it This work was reproduced from the original artifact and remains as true to the original work as possible Therefore you will see the original copyright references library stamps as most of these works have been housed in our most important libraries around the world and other notations in the work This work is in the public domain in the United States of America and possibly other nations Within the United States you may freely copy and distribute this work as no entity individual or corporate has a copyright on the body of the work As a reproduction of a historical artifact this work may contain missing or blurred pages poor pictures errant marks etc Scholars believe and we concur that this work is important enough to be preserved reproduced and made generally available to the public We appreciate your support of the preservation process and thank you for being an important part of keeping this knowledge alive and relevant

Popular Science ,1951-03 Popular Science gives our readers the information and tools to improve their technology and their world The core belief that Popular Science and our readers share The future is going to be better and science and technology are the driving forces that will help make it better

New York Review of the Telegraph and Telephone and Electrical Journal ,1905 *Popular Science* ,1955-01 Popular Science gives our readers the information and tools to improve their technology and their world The core belief that Popular Science and our readers share The future is going to be better and science and technology are the driving forces that will help make it better

Industrial Development and Manufacturers Record ,1920 Beginning in 1956 each vol includes as a regular number the Blue book of southern progress and the Southern industrial directory formerly issued separately

Electrical World ,1920 Co-operative Bulletin Pratt Institute. Library,1929

The book delves into Alternating Current Motor Repair. Alternating Current Motor Repair is a crucial topic that needs to be grasped by everyone, ranging from students and scholars to the general public. The book will furnish comprehensive and in-depth insights into Alternating Current Motor Repair, encompassing both the fundamentals and more intricate discussions.

1. This book is structured into several chapters, namely:
 - Chapter 1: Introduction to Alternating Current Motor Repair
 - Chapter 2: Essential Elements of Alternating Current Motor Repair
 - Chapter 3: Alternating Current Motor Repair in Everyday Life
 - Chapter 4: Alternating Current Motor Repair in Specific Contexts
 - Chapter 5: Conclusion
 2. In chapter 1, this book will provide an overview of Alternating Current Motor Repair. The first chapter will explore what Alternating Current Motor Repair is, why Alternating Current Motor Repair is vital, and how to effectively learn about Alternating Current Motor Repair.
 3. In chapter 2, the author will delve into the foundational concepts of Alternating Current Motor Repair. This chapter will elucidate the essential principles that must be understood to grasp Alternating Current Motor Repair in its entirety.
 4. In chapter 3, the author will examine the practical applications of Alternating Current Motor Repair in daily life. The third chapter will showcase real-world examples of how Alternating Current Motor Repair can be effectively utilized in everyday scenarios.
 5. In chapter 4, the author will scrutinize the relevance of Alternating Current Motor Repair in specific contexts. This chapter will explore how Alternating Current Motor Repair is applied in specialized fields, such as education, business, and technology.
 6. In chapter 5, this book will draw a conclusion about Alternating Current Motor Repair. This chapter will summarize the key points that have been discussed throughout the book.
- The book is crafted in an easy-to-understand language and is complemented by engaging illustrations. This book is highly recommended for anyone seeking to gain a comprehensive understanding of Alternating Current Motor Repair.

<https://gandalf.roeckerfam.com/files/detail/fetch.php/a%20guide%20to%20graphs.pdf>

Table of Contents Alternating Current Motor Repair

1. Understanding the eBook Alternating Current Motor Repair
 - The Rise of Digital Reading Alternating Current Motor Repair
 - Advantages of eBooks Over Traditional Books
2. Identifying Alternating Current Motor Repair
 - Exploring Different Genres
 - Considering Fiction vs. Non-Fiction
 - Determining Your Reading Goals
3. Choosing the Right eBook Platform
 - Popular eBook Platforms
 - Features to Look for in an Alternating Current Motor Repair
 - User-Friendly Interface
4. Exploring eBook Recommendations from Alternating Current Motor Repair
 - Personalized Recommendations
 - Alternating Current Motor Repair User Reviews and Ratings
 - Alternating Current Motor Repair and Bestseller Lists
5. Accessing Alternating Current Motor Repair Free and Paid eBooks
 - Alternating Current Motor Repair Public Domain eBooks
 - Alternating Current Motor Repair eBook Subscription Services
 - Alternating Current Motor Repair Budget-Friendly Options
6. Navigating Alternating Current Motor Repair eBook Formats
 - ePub, PDF, MOBI, and More
 - Alternating Current Motor Repair Compatibility with Devices
 - Alternating Current Motor Repair Enhanced eBook Features
7. Enhancing Your Reading Experience
 - Adjustable Fonts and Text Sizes of Alternating Current Motor Repair
 - Highlighting and Note-Taking Alternating Current Motor Repair
 - Interactive Elements Alternating Current Motor Repair
8. Staying Engaged with Alternating Current Motor Repair

- Joining Online Reading Communities
 - Participating in Virtual Book Clubs
 - Following Authors and Publishers Alternating Current Motor Repair
9. Balancing eBooks and Physical Books Alternating Current Motor Repair
- Benefits of a Digital Library
 - Creating a Diverse Reading Collection Alternating Current Motor Repair
10. Overcoming Reading Challenges
- Dealing with Digital Eye Strain
 - Minimizing Distractions
 - Managing Screen Time
11. Cultivating a Reading Routine Alternating Current Motor Repair
- Setting Reading Goals Alternating Current Motor Repair
 - Carving Out Dedicated Reading Time
12. Sourcing Reliable Information of Alternating Current Motor Repair
- Fact-Checking eBook Content of Alternating Current Motor Repair
 - Distinguishing Credible Sources
13. Promoting Lifelong Learning
- Utilizing eBooks for Skill Development
 - Exploring Educational eBooks
14. Embracing eBook Trends
- Integration of Multimedia Elements
 - Interactive and Gamified eBooks

Alternating Current Motor Repair Introduction

In today's digital age, the availability of Alternating Current Motor Repair books and manuals for download has revolutionized the way we access information. Gone are the days of physically flipping through pages and carrying heavy textbooks or manuals. With just a few clicks, we can now access a wealth of knowledge from the comfort of our own homes or on the go. This article will explore the advantages of Alternating Current Motor Repair books and manuals for download, along with some popular platforms that offer these resources. One of the significant advantages of Alternating Current Motor Repair books and manuals for download is the cost-saving aspect. Traditional books and manuals can be costly, especially if you

need to purchase several of them for educational or professional purposes. By accessing Alternating Current Motor Repair versions, you eliminate the need to spend money on physical copies. This not only saves you money but also reduces the environmental impact associated with book production and transportation. Furthermore, Alternating Current Motor Repair books and manuals for download are incredibly convenient. With just a computer or smartphone and an internet connection, you can access a vast library of resources on any subject imaginable. Whether you're a student looking for textbooks, a professional seeking industry-specific manuals, or someone interested in self-improvement, these digital resources provide an efficient and accessible means of acquiring knowledge. Moreover, PDF books and manuals offer a range of benefits compared to other digital formats. PDF files are designed to retain their formatting regardless of the device used to open them. This ensures that the content appears exactly as intended by the author, with no loss of formatting or missing graphics. Additionally, PDF files can be easily annotated, bookmarked, and searched for specific terms, making them highly practical for studying or referencing. When it comes to accessing Alternating Current Motor Repair books and manuals, several platforms offer an extensive collection of resources. One such platform is Project Gutenberg, a nonprofit organization that provides over 60,000 free eBooks. These books are primarily in the public domain, meaning they can be freely distributed and downloaded. Project Gutenberg offers a wide range of classic literature, making it an excellent resource for literature enthusiasts. Another popular platform for Alternating Current Motor Repair books and manuals is Open Library. Open Library is an initiative of the Internet Archive, a non-profit organization dedicated to digitizing cultural artifacts and making them accessible to the public. Open Library hosts millions of books, including both public domain works and contemporary titles. It also allows users to borrow digital copies of certain books for a limited period, similar to a library lending system. Additionally, many universities and educational institutions have their own digital libraries that provide free access to PDF books and manuals. These libraries often offer academic texts, research papers, and technical manuals, making them invaluable resources for students and researchers. Some notable examples include MIT OpenCourseWare, which offers free access to course materials from the Massachusetts Institute of Technology, and the Digital Public Library of America, which provides a vast collection of digitized books and historical documents. In conclusion, Alternating Current Motor Repair books and manuals for download have transformed the way we access information. They provide a cost-effective and convenient means of acquiring knowledge, offering the ability to access a vast library of resources at our fingertips. With platforms like Project Gutenberg, Open Library, and various digital libraries offered by educational institutions, we have access to an ever-expanding collection of books and manuals. Whether for educational, professional, or personal purposes, these digital resources serve as valuable tools for continuous learning and self-improvement. So why not take advantage of the vast world of Alternating Current Motor Repair books and manuals for download and embark on your journey of knowledge?

FAQs About Alternating Current Motor Repair Books

1. Where can I buy Alternating Current Motor Repair books? Bookstores: Physical bookstores like Barnes & Noble, Waterstones, and independent local stores. Online Retailers: Amazon, Book Depository, and various online bookstores offer a wide range of books in physical and digital formats.
2. What are the different book formats available? Hardcover: Sturdy and durable, usually more expensive. Paperback: Cheaper, lighter, and more portable than hardcovers. E-books: Digital books available for e-readers like Kindle or software like Apple Books, Kindle, and Google Play Books.
3. How do I choose a Alternating Current Motor Repair book to read? Genres: Consider the genre you enjoy (fiction, non-fiction, mystery, sci-fi, etc.). Recommendations: Ask friends, join book clubs, or explore online reviews and recommendations. Author: If you like a particular author, you might enjoy more of their work.
4. How do I take care of Alternating Current Motor Repair books? Storage: Keep them away from direct sunlight and in a dry environment. Handling: Avoid folding pages, use bookmarks, and handle them with clean hands. Cleaning: Gently dust the covers and pages occasionally.
5. Can I borrow books without buying them? Public Libraries: Local libraries offer a wide range of books for borrowing. Book Swaps: Community book exchanges or online platforms where people exchange books.
6. How can I track my reading progress or manage my book collection? Book Tracking Apps: Goodreads, LibraryThing, and Book Catalogue are popular apps for tracking your reading progress and managing book collections. Spreadsheets: You can create your own spreadsheet to track books read, ratings, and other details.
7. What are Alternating Current Motor Repair audiobooks, and where can I find them? Audiobooks: Audio recordings of books, perfect for listening while commuting or multitasking. Platforms: Audible, LibriVox, and Google Play Books offer a wide selection of audiobooks.
8. How do I support authors or the book industry? Buy Books: Purchase books from authors or independent bookstores. Reviews: Leave reviews on platforms like Goodreads or Amazon. Promotion: Share your favorite books on social media or recommend them to friends.
9. Are there book clubs or reading communities I can join? Local Clubs: Check for local book clubs in libraries or community centers. Online Communities: Platforms like Goodreads have virtual book clubs and discussion groups.
10. Can I read Alternating Current Motor Repair books for free? Public Domain Books: Many classic books are available for free as they're in the public domain. Free E-books: Some websites offer free e-books legally, like Project Gutenberg or Open Library.

Find Alternating Current Motor Repair :

~~a guide to graphs~~

a handbook for krsna consciousness an anthology of writings

a grammar of anaphora - linguistic inquiry monograph eleven

a guide to great inexpensive asian restaurants in portland san francisco

a freethinkers primer of male love

a gallant barque the story of the port yarrock

a heros heart

~~a gun for silver rose~~

a fishkeepers guide to garden ponds

a handbook of human resource management practice

a guide to positive retirement

a gerbil for a friend

a handbook on the of joshua ubs helps for translators

a guide to business principles and practices for interior designers

a goofy movie

Alternating Current Motor Repair :

epa07 mbe 4000 service manual This manual provides instruction for servicing the MBE 4000 Diesel Engine. ... Mercedes-Benz electronic engine using ether or any other starting fluid ... Mercedes-benz mbe 4000 service manual.pdf maintenance, and repair (including complete overhaul) for the MBE 4000 engine. This manual was written primarily for persons servicing and overhauling the ... Detroit Diesel MBE 4000 Service Manual View and Download Detroit Diesel MBE 4000 service manual online. MBE 4000 engine pdf manual download. Manual Mbe 4000 Taller | PDF | Turbocharger This manual provides instruction for servicing the MBE 4000 Diesel Engine. It includes recommendations for removal, cleaning, inspection, criteria for ... 2010 Detroit Diesel Mercedes Benz MBE 4000 Engine ... 2010 Detroit Diesel Mercedes Benz MBE 4000 Engine Service Repair Manual EPA04 ; Quantity. 1 available ; Item Number. 113914157591 ; Brand. Mercedes-Benz ; Accurate ... Mercedes-Benz \ Detroit Diesel MBE 4000 EPA 04 ... This is the COMPLETE Official Service Repair Manual for the Detriot Diesel Engine. This manual contains deep information about maintaining, assembly, ... Detroit Diesel Mercedes MBE 4000 Computer PDF CD ... This manual was written primarily for persons servicing and overhauling the engine. manual contains

all of the instructions essential to the operators and users ... Mercedes / Detroit Diesel MBE 4000 EPA 07 Workshop ... This is the COMPLETE Official Service Repair Manual for the Detroit Diesel Engine. This manual contains deep information about maintaining, assembly, ... Mercedes Benz 4000 Service Manual (2007). ... Factory service manual for the Mercedes Benz 4000 series engine. Coverage for maintenance, repair, mechanical troubleshooting & overhaul. Detroit Diesel MBE4000 manuals, specs Detroit Diesel MBE4000 engine PDF Manuals, bolt torques and specs · Detroit Diesel MBE4000 Diesel Engine workshop repair Manuals, spec sheet · Detroit Diesel ... Longman Preparation Course for the TOEFL® iBT Test Providing both a comprehensive language-skills course and a wealth of practice for all sections of the test, the Longman Preparation Course for the TOEFL iBT® ... Longman Preparation Course for the TOEFL iBT Test with ... Excellent book for TOEFL iBT test. Cover all the skills you need for the test (reading, writing, speaking, listening). It comes with a english lab access that ... Longman Preparation Course for the TOEFL Test ... Book overview · Complete language skills instruction for skills tested on both the TOEFL® paper test and the Test of Written English. · Longer reading passages ... Longman Introduction and Preparation for TOEFL The Longman Preparation Course for TOEFL prepares students for the test with guidelines, strategies, tips and hints. If you would like to explore alternative ... Longman Preparation Course for the TOEFL iBT Test Combining a comprehensive language skills course with a wealth of practice for all sections of the TOEFL iBT: what more do you need? The Longman Preparation ... Longman Preparation for the TOEFL iBT No information is available for this page. Longman Complete Course for the TOEFL® Test Longman Preparation Course for the TOEFL® Test: Volume A- Skills and Strategies, Second. Edition provides comprehensive coverage of the language skills and test ... Longman Preparation Course for the TOEFL Test: Ibt The Student Book features diagnostic pre-tests and post-tests, plus eight mini-tests and two complete TOEFL tests. The CD-ROM includes an additional eight mini- ... Longman Preparation Course for the TOEFL® Test Next ... It is based on the most up-to-date information available on the iBT. Longman Preparation Course for the TOEFL Test: Next Generation iBT can be used in a ... Longman Preparation Course for the Toefl Test With an ... Longman Preparation Course for the Toefl Test With an Answer Key - Softcover ... From United Kingdom to U.S.A. ... From Spain to U.S.A.. Destination, rates & speeds. Neurotoxins, Volume 8 - 1st Edition This book presents a comprehensive compilation of techniques used for the preparation, handling, and, particularly, for the use of neurotoxins. Neurotoxins, Vol. 8 (Methods in Neurosciences) Book overview. The exquisite simplicity and potency of toxins have made them valuable probes of neural systems. This book presents a comprehensive compilation ... Methods in Neurosciences | Neurotoxins Volume 8,. Pages 1-423 (1992). Download full volume. Previous volume · Next volume. Actions for selected chapters. Select all / Deselect all. Download PDFs Volume 8: Neurotoxins 9780121852665 Neurotoxins: Volume 8: Neurotoxins is written by Conn, P. Michael and published by Academic Press. The Digital and eTextbook ISBNs for Neurotoxins: Volume ... Botulinum Neurotoxins in Central Nervous System by S Luvisetto · 2021 · Cited by 18 — Botulinum neurotoxins (BoNTs) are toxins produced by the bacteria Clostridium botulinum

in many variants of seven well-characterized serotypes [1], named from A ... Engineering Botulinum Neurotoxins for Enhanced ... by C Rasetti-Escargueil · 2021 · Cited by 18 — Botulinum neurotoxins (BoNTs) show increasing therapeutic applications ranging from treatment of locally paralyzed muscles to cosmetic ... Quantal Neurotransmitter Release and the Clostridial ... by B Poulain · Cited by 37 — The eight clostridial neurotoxins so far known, tetanus toxin (TeNT) and botulinum neurotoxins (BoNTs) types A-G, have been extensively studied, ... Botulinum Neurotoxins (BoNTs) and Their Biological ... by M Corsalini · 2021 · Cited by 5 — Botulinum toxins or neurotoxins (BoNTs) are the most potent neurotoxins known, and are currently extensively studied, not only for their potential lethality ... Functional detection of botulinum neurotoxin serotypes A to ... by L von Berg · 2019 · Cited by 26 — Botulinum neurotoxins (BoNTs) are the most potent toxins known and cause the life threatening disease botulism. Botulinum Neurotoxins: Biology, Pharmacology, and ... by M Pirazzini · 2017 · Cited by 642 — Botulinum neurotoxins inhibit neuroexocytosis from cholinergic nerve terminals of the sympathetic and parasympathetic autonomic nervous systems.