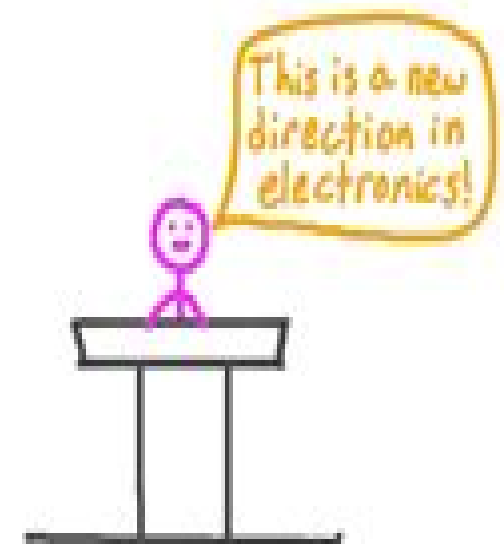
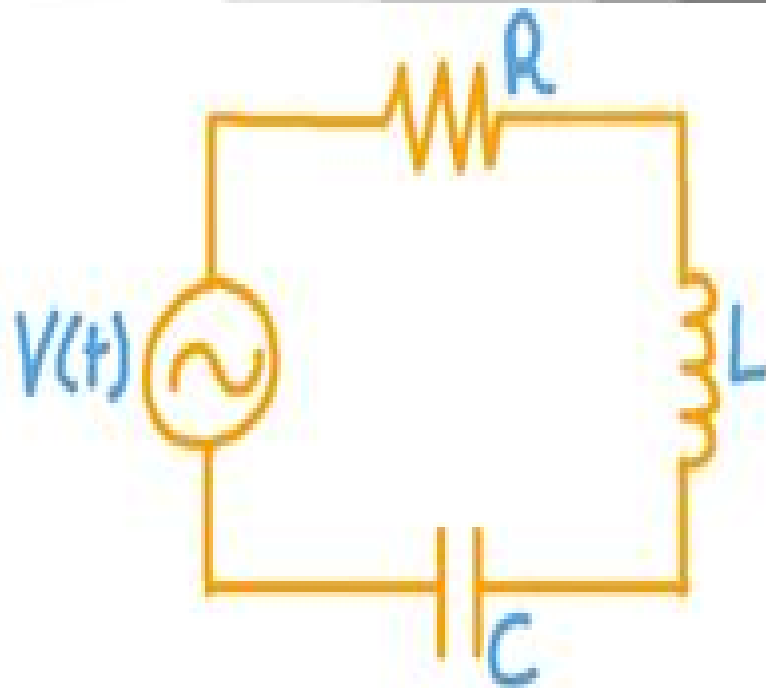


ALTERNATING CURRENT CIRCUITS



Alternating Current Circuits 3ed

George Francis Corcoran



Alternating Current Circuits 3ed:

Analysis of Electric Circuits, Vol. 3: Alternating Currents Demetrios P. Kanoussis Ph. D.,2018-10-15 Circuit theory is a core course in every Electrical Engineering curriculum with a wide range of applications to a variety of problems related to electrical systems and subsystems such as power transmission systems communication systems control systems and electronics systems in general This e book is the third volume of my e book series on Electric Circuits In Volume 1 Introduction to Electric Circuits Theory we present all fundamental concepts definitions principles and techniques on Electric Circuits while In Volume 2 Direct Currents Circuit Analysis we present a systematic analysis of DC circuits i e circuits driven by DC sources In the current volume we study Alternating Currents i e the analysis of Electric Circuits driven by sinusoidal voltage and or current sources The content of this book is divided in 17 chapters In Chapter 1 we introduce the periodic signals wave forms and define their average and RMS effective values give a systematic and comprehensive introduction of the Algebra of Complex Numbers which greatly simplifies the analysis of AC circuits introduce the extremely important Phasor Concept and show how to express sinusoidal functions of time by their Phasors representations In Chapter 2 we develop the two fundamental Kirchhoff

Alternating-Current Circuits ... Third Edition George Francis Corcoran,1951

Alternating Currents Carl Edward Magnusson,1926 **Alternating-current Machines** Samuel Sheldon,Hobart Mason,Erich Hausmann,1904 **Power System Protection** Paul M. Anderson,Charles F. Henville,Rasheek Rifaat,Brian Johnson,Sakis Meliopoulos,2022-02-15 Ein aktualisierter Leitfaden f r den Schutz von Stromnetzen im 21 Jahrhundert Die zweite Ausgabe von Power System Protection enth lt aktuelle Informationen ber die technologischen und wirtschaftlichen Weiterentwicklungen beim Stromnetzschutz seit dem Erscheinen der letzten Ausgabe im Jahr 1998 Insbesondere werden die Auswirkungen von Kurzschl ssen in folgenden Bereichen untersucht Qualit t der Stromversorgung Mehrere Einstellgruppen Distanzrelais mit vierseitigen Eigenschaften Belastbarkeit Dar ber hinaus enth lt das Werk umfassende Angaben zu den Auswirkungen von nderungen der Gesch ftsmodelle insbesondere in Bezug auf Deregulierung Disaggregation von Stromsystemen Zuverl ssigkeit und Sicherheitsfragen Power System Protection bietet die analytische Grundlage f r die Auslegung Anwendung und Einstellung von Netzschutzger ten f r moderne Ingenieure Aktuelle Informationen von Schutzingenieuren mit unterschiedlichen Schwerpunkten runden das umfassende Werk ab das somit s mtliche Aspekte des Fachgebiets erfasst Neue Vorschriften und neue Komponenten die in modernen Stromschutzsystemen enthalten sind werden ausf hrlich dargestellt Besonders gr ndlich wird der computergest tzte Schutz behandelt sowie die Frage welche Folgen der Anschluss von Anlagen f r erneuerbare Energien an Verteilungs und bertragungssysteme hat

NASA Technical Note,1968 *Alternating Current Engineering Practically Treated* Edward Brackett Raymond,1904 **The United States Catalog** Mary Burnham,Carol Hurd,1928 **Specifications and Drawings of Patents Relating to Electricity**,1881 **Specifications and Drawings of Patents Issued from the United States Patent Office** United States. Patent

Office,1887 **Western Machinery and Steel World ...** ,1952 **Western Electrician** ,1894 *Alternating-Current Circuits. By J.M. Bryant ... James A. Correll ... and E.W. Johnson ... Third Edition* John Myron Bryant,James Aquilla
CORRELL,Elmer Walter JOHNSON,1939 **Classed Subject Catalog** Engineering Societies Library,1963 **Conductors for Electrical Distribution** Frederic Auten Combs Perrine,1903 Experimental Study of Dynamics of Mercury Vapor Condensing Roland C. Fisher,1967 **Subject Catalog** Library of Congress,1960 **Reduction of Apparent-power Requirement of Phase-controlled Parasitically Loaded Turboalternator by Multiple Parasitic Loads** Leonard J. Gilbert,1968 **Electric Lighting: The generation plant** Francis Bacon Crocker,1902 The United States Catalog Mary Burnham,1927

Delve into the emotional tapestry woven by Crafted by in Dive into the Emotion of **Alternating Current Circuits 3ed** . This ebook, available for download in a PDF format (Download in PDF: *), is more than just words on a page; it's a journey of connection and profound emotion. Immerse yourself in narratives that tug at your heartstrings. Download now to experience the pulse of each page and let your emotions run wild.

https://gandalf.roeckerfam.com/files/publication/Download_PDFS/conciliation%20and%20confession%20the%20struggle%20for%20unity%20in%20the%20age%20of%20reform%201415%201648.pdf

Table of Contents Alternating Current Circuits 3ed

1. Understanding the eBook Alternating Current Circuits 3ed
 - The Rise of Digital Reading Alternating Current Circuits 3ed
 - Advantages of eBooks Over Traditional Books
2. Identifying Alternating Current Circuits 3ed
 - Exploring Different Genres
 - Considering Fiction vs. Non-Fiction
 - Determining Your Reading Goals
3. Choosing the Right eBook Platform
 - Popular eBook Platforms
 - Features to Look for in an Alternating Current Circuits 3ed
 - User-Friendly Interface
4. Exploring eBook Recommendations from Alternating Current Circuits 3ed
 - Personalized Recommendations
 - Alternating Current Circuits 3ed User Reviews and Ratings
 - Alternating Current Circuits 3ed and Bestseller Lists
5. Accessing Alternating Current Circuits 3ed Free and Paid eBooks
 - Alternating Current Circuits 3ed Public Domain eBooks
 - Alternating Current Circuits 3ed eBook Subscription Services

- Alternating Current Circuits 3ed Budget-Friendly Options
- 6. Navigating Alternating Current Circuits 3ed eBook Formats
 - ePub, PDF, MOBI, and More
 - Alternating Current Circuits 3ed Compatibility with Devices
 - Alternating Current Circuits 3ed Enhanced eBook Features
- 7. Enhancing Your Reading Experience
 - Adjustable Fonts and Text Sizes of Alternating Current Circuits 3ed
 - Highlighting and Note-Taking Alternating Current Circuits 3ed
 - Interactive Elements Alternating Current Circuits 3ed
- 8. Staying Engaged with Alternating Current Circuits 3ed
 - Joining Online Reading Communities
 - Participating in Virtual Book Clubs
 - Following Authors and Publishers Alternating Current Circuits 3ed
- 9. Balancing eBooks and Physical Books Alternating Current Circuits 3ed
 - Benefits of a Digital Library
 - Creating a Diverse Reading Collection Alternating Current Circuits 3ed
- 10. Overcoming Reading Challenges
 - Dealing with Digital Eye Strain
 - Minimizing Distractions
 - Managing Screen Time
- 11. Cultivating a Reading Routine Alternating Current Circuits 3ed
 - Setting Reading Goals Alternating Current Circuits 3ed
 - Carving Out Dedicated Reading Time
- 12. Sourcing Reliable Information of Alternating Current Circuits 3ed
 - Fact-Checking eBook Content of Alternating Current Circuits 3ed
 - Distinguishing Credible Sources
- 13. Promoting Lifelong Learning
 - Utilizing eBooks for Skill Development
 - Exploring Educational eBooks
- 14. Embracing eBook Trends

- Integration of Multimedia Elements
- Interactive and Gamified eBooks

Alternating Current Circuits 3ed Introduction

In the digital age, access to information has become easier than ever before. The ability to download Alternating Current Circuits 3ed has revolutionized the way we consume written content. Whether you are a student looking for course material, an avid reader searching for your next favorite book, or a professional seeking research papers, the option to download Alternating Current Circuits 3ed has opened up a world of possibilities. Downloading Alternating Current Circuits 3ed provides numerous advantages over physical copies of books and documents. Firstly, it is incredibly convenient. Gone are the days of carrying around heavy textbooks or bulky folders filled with papers. With the click of a button, you can gain immediate access to valuable resources on any device. This convenience allows for efficient studying, researching, and reading on the go. Moreover, the cost-effective nature of downloading Alternating Current Circuits 3ed has democratized knowledge. Traditional books and academic journals can be expensive, making it difficult for individuals with limited financial resources to access information. By offering free PDF downloads, publishers and authors are enabling a wider audience to benefit from their work. This inclusivity promotes equal opportunities for learning and personal growth. There are numerous websites and platforms where individuals can download Alternating Current Circuits 3ed. These websites range from academic databases offering research papers and journals to online libraries with an expansive collection of books from various genres. Many authors and publishers also upload their work to specific websites, granting readers access to their content without any charge. These platforms not only provide access to existing literature but also serve as an excellent platform for undiscovered authors to share their work with the world. However, it is essential to be cautious while downloading Alternating Current Circuits 3ed. Some websites may offer pirated or illegally obtained copies of copyrighted material. Engaging in such activities not only violates copyright laws but also undermines the efforts of authors, publishers, and researchers. To ensure ethical downloading, it is advisable to utilize reputable websites that prioritize the legal distribution of content. When downloading Alternating Current Circuits 3ed, users should also consider the potential security risks associated with online platforms. Malicious actors may exploit vulnerabilities in unprotected websites to distribute malware or steal personal information. To protect themselves, individuals should ensure their devices have reliable antivirus software installed and validate the legitimacy of the websites they are downloading from. In conclusion, the ability to download Alternating Current Circuits 3ed has transformed the way we access information. With the convenience, cost-effectiveness, and accessibility it offers, free PDF downloads have become a popular choice for students, researchers, and book lovers worldwide. However, it is crucial to engage in ethical downloading practices and prioritize personal security

when utilizing online platforms. By doing so, individuals can make the most of the vast array of free PDF resources available and embark on a journey of continuous learning and intellectual growth.

FAQs About Alternating Current Circuits 3ed Books

How do I know which eBook platform is the best for me? Finding the best eBook platform depends on your reading preferences and device compatibility. Research different platforms, read user reviews, and explore their features before making a choice. Are free eBooks of good quality? Yes, many reputable platforms offer high-quality free eBooks, including classics and public domain works. However, make sure to verify the source to ensure the eBook credibility. Can I read eBooks without an eReader? Absolutely! Most eBook platforms offer web-based readers or mobile apps that allow you to read eBooks on your computer, tablet, or smartphone. How do I avoid digital eye strain while reading eBooks? To prevent digital eye strain, take regular breaks, adjust the font size and background color, and ensure proper lighting while reading eBooks. What the advantage of interactive eBooks? Interactive eBooks incorporate multimedia elements, quizzes, and activities, enhancing the reader engagement and providing a more immersive learning experience. Alternating Current Circuits 3ed is one of the best book in our library for free trial. We provide copy of Alternating Current Circuits 3ed in digital format, so the resources that you find are reliable. There are also many Ebooks of related with Alternating Current Circuits 3ed. Where to download Alternating Current Circuits 3ed online for free? Are you looking for Alternating Current Circuits 3ed PDF? This is definitely going to save you time and cash in something you should think about.

Find Alternating Current Circuits 3ed :

~~conciliation and confession the struggle for unity in the age of reform 1415-1648~~

~~concepts of space in greek thought~~

~~concise guide to judaism history practice and faith~~

conceptions of god in ancient egypt

concepts of zoology

~~concepts of leisure in western thought a critical and historical analysis~~

concepts the structure of memory

concept mapping glencoe physical science

confederate purchasing operations abroad

conceptual human physiology
concerto grobo c maj alexanders

conductive polymers

concise handbook of astronomy

conditionals a comprehensive empirical analysis

~~concerning meclures~~

Alternating Current Circuits 3ed :

the ending of the hobbit an unexpected journey explained - Feb 26 2022

web nov 8 2022 the only real story progression in the hobbit an unexpected journey is regarding bilbo s motivation for joining the quest the movie seems to rely on us having seen the lord of the rings

the hobbit film series wikipedia - Feb 09 2023

web box office 2 938 billion the hobbit is a series of three epic high fantasy adventure films directed by peter jackson the films are subtitled an unexpected journey 2012 the desolation of smaug 2013 and the battle of the five armies 2014 5

[the hobbit an unexpected journey wikipedia](#) - Aug 15 2023

web the hobbit an unexpected journey is a 2012 epic high fantasy adventure film directed by peter jackson from a screenplay by fran walsh philippa boyens jackson and guillermo del toro based on the 1937 novel the hobbit by j r r tolkien

the hobbit an unexpected journey 2012 imdb - Jul 14 2023

web dec 14 2012 the hobbit an unexpected journey directed by peter jackson with ian mckellen martin freeman richard armitage ken stott a reluctant hobbit bilbo baggins sets out to the lonely mountain with a spirited group of dwarves to reclaim their mountain home and the gold within it from the dragon smaug

the hobbit an unexpected journey prime video - May 12 2023

web hobbit bilbo baggins joins 13 dwarves on a quest to reclaim the lost kingdom of erebor imdb 7 8 2 h 44 min 2012 pg 13 drama fantasy ambitious exciting

the hobbit an unexpected journey youtube - Jul 02 2022

web the hobbit an unexpected journey buy or rent pg 13 youtube movies tv 174m subscribers subscribe 3 1k share academy award winning filmmaker peter jackson returns to middle earth with the

[the hobbit an unexpected journey the one wiki to rule](#) - Aug 03 2022

web the hobbit an unexpected journey is the first film of the hobbit film trilogy lasting 3 hours and 2 minutes it was directed by peter jackson who previously had directed the lord of the rings film trilogy it was a major box office success grossing over

the hobbit an unexpected journey announcement trailer hd - Sep 04 2022

web dec 23 2011 the hobbit an unexpected journey action adventure 2012 2 hr 49 min english audio and 11 more pg 13 7 6m views

the hobbit an unexpected journey amazon com tr - Mar 30 2022

web the hobbit an unexpected journey is the first in peter jackson s highly anticipated trilogy adapting the enduringly popular masterpiece the hobbit by j r r tolkien the adventure follows the journey of title character bilbo baggins who is swept into an epic quest to reclaim the lost dwarf kingdom of erebor from the fearsome dragon smaug

the hobbit an unexpected journey 2012 imdb - Nov 06 2022

web the hobbit an unexpected journey 2012 full cast crew imdb synopsis

the hobbit an unexpected journey 2012 - Jun 01 2022

web dec 14 2012 bilbo baggins a hobbit enjoying his quiet life is swept into an epic quest by gandalf the grey and thirteen dwarves who seek to reclaim their mountain home from smaug the dragon

[the hobbit an unexpected journey 2012 imdb](#) - Dec 27 2021

web the hobbit an unexpected journey 2012 232 of 747 martin freeman in the hobbit an unexpected journey 2012 people martin freeman

[the hobbit an unexpected journey hulu](#) - Apr 30 2022

web starring ian mckellen martin freeman richard armitage director peter jackson pg 13 fantasy action adventure movie 2012 hd stream thousands of shows and movies with plans starting at 7 99 month start your free trial new subscribers only cancel anytime additional terms apply disney bundle trio basic

the hobbit an unexpected journey official trailer 2 hd - Jan 08 2023

web dec 14 2012 here alone with gollum on the shores of an underground lake the unassuming bilbo baggins not only discovers depths of ingenuity and courage that surprise even him he also gains possession of

watch the hobbit an unexpected journey netflix - Jun 13 2023

web the hobbit an unexpected journey 2012 maturity rating 16 action unavailable on an ad supported plan due to licensing restrictions in this prequel to the lord of the rings trilogy bilbo baggins joins a hardy group of dwarves on a

the hobbit an unexpected journey rotten tomatoes - Apr 11 2023

web the hobbit an unexpected journey pg 13 2012 fantasy adventure 2h 49m 64 tomatometer 306 reviews 83 audience score 250 000 ratings what to know critics consensus peter jackson s return to

[the hobbit an unexpected journey box office mojo](#) - Jan 28 2022

web the hobbit an unexpected journey 2012 a reluctant hobbit bilbo baggins sets out to the lonely mountain with a spirited

group of dwarves to reclaim their mountain home and the gold within it
[the hobbit trailer 2012 movie official hd youtube](#) - Dec 07 2022

web jan 30 2012 the hobbit an unexpected journey trailer 2012 official movie trailer in hd starring ian mckellen martin freeman cate blanchett bilbo baggins a hobb

[hobbit beklenmedik yolculuk the hobbit an unexpected journey](#) - Mar 10 2023

web dec 14 2012 Özet tolkien in yüzüklerin efendisi üçlemesinin öncül kitabı olarak da görülen hobbit ten üçlemenin yönetmeni peter jackson tarafından sinemaya uyarlanan üç filmlik hobbit macerasının ilk bölümü olan hobbit beklenmedik yolculuk the hobbit an unexpected journey ile bu sefer bilbo baggins in gençliğine gidiyoruz

[watch the hobbit an unexpected journey prime video](#) - Oct 05 2022

web pg 13 drama action ambitious exciting this video is currently unavailable to watch in your location bundle and save save with with the hobbit movie collection on prime video shop now details other titles in this franchise the lord of the rings the fellowship of the ring the lord of the rings the fellowship of the ring rent or buy

how four powerful rulers decided the fate of a continent - Jul 15 2023

web may 5 2017 in four princes he uses the lives of henry viii of england francis i of france the holy roman emperor charles v and the ottoman sultan suleiman the magnificent to explain how the

four princes henry viii francis i charles v suleiman the - Jun 02 2022

web apr 4 2017 here he explores four leaders henry viii francis i charles v and suleiman who led their countries during the renaissance the wall street journal francis i of france was the personification of the renaissance and a highly influential patron of the arts and education henry viii who was not expected to inherit the throne

four princes henry viii francis i charles v suleiman the - Dec 08 2022

web four princes henry viii francis i charles v suleiman the magnificent and the obsessions that forged modern europe john julius norwich atlantic monthly 26 304p isbn 978 0 8021 2663 4

[four princes henry viii francis i charles v suleiman the](#) - Jan 29 2022

web apr 14 2017 the spanish habsburg charles v was named holy roman emperor before coming closer than any pre napoleonic leader to conquering all of europe he tangled with francis i of france a true renaissance prince who patronized the arts and launched an overseas empire

four princes henry viii francis i charles v suleiman the - May 13 2023

web apr 11 2017 four princes henry viii francis i charles v suleiman the magnificent and the obsessions that forged modern europe norwich john julius 9780802126634 amazon com books books

four princes henry viii francis i charles v suleiman the - Aug 16 2023

web henry viii who was not expected to inherit the throne but embraced the role with gusto broke with the roman catholic church and appointed himself head of the church of england charles v was the most powerful industrious man of the time and was unanimously elected holy roman emperor

four princes henry viii francis i charles v suleim 2023 - Sep 05 2022

web four princes henry viii francis i charles v suleim that wicked miss keane dec 20 2020 musings of an exile in verse by f c c i e francis c carter feb 14 2023 works jun 06 2022 some considerations on church reform and on the principles of church legislation feb 08 2020 the dean and his daughter oct 10 2022

four princes henry viii francis i charles v suleiman the - Oct 06 2022

web four princes henry viii francis i charles v suleiman the magnificent and the obsessions that forged modern europe audiobook written by john julius norwich narrated by julian elfer get instant access to all your favorite books no monthly commitment listen online or offline with android ios web chromecast and google assistant

four princes henry viii francis i charles v suleiman the - Jun 14 2023

web apr 4 2017 here he explores four leaders henry viii francis i charles v and suleiman who led their countries during the renaissance the wall street journal francis i of france was the

four princes henry viii francis i charles v suleiman the - Jul 03 2022

web sometimes friends more often enemies always rivals these four men together held europe in the hollow of their hands four great princes henry viii of england francis i of france charles v of spain and suleiman the magnificent were born within a [pdf four princes henry viii francis i charles v suleim](#) - Nov 07 2022

web four princes henry viii francis i charles v suleim the flora of harrow with notices of the birds of the neighbourhood by the hon f c bridgeman and the hon g o m bridgeman and of the butterflies and moths by c c parr and e heathfield with a preface by f w f i e f w farrar apr 13 2022

editions of four princes henry viii francis i charles v - Apr 12 2023

web apr 4 2017 rate this book 1 of 5 stars 2 of 5 stars 3 of 5 stars 4 of 5 stars 5 of 5 stars four princes henry viii francis i charles v suleiman the magnificent and the obsessions that forged modern europe kindle edition published october 20th 2016 by john murray kindle edition 305 pages

four princes henry viii francis i charles v suleiman the - Mar 11 2023

web discover and share books you love on goodreads

four princes henry viii francis i charles v suleiman the - Mar 31 2022

web henry viii who was not expected to inherit the throne but embraced the role with gusto broke with the roman catholic church and appointed himself head of the church of england charles v

four princes henry viii francis i charles v suleiman the - Aug 04 2022

web the titular princes included two emperors charles v the holy roman emperor and suleiman the ottoman sultan as well as two kings francis i king of france and henry viii of england the four men were all born within ten years of each other and their rivalries defined the new world that was breaking through the old certainties during the

four princes henry viii francis i charles v suleiman the - Feb 27 2022

web four princes henry viii francis i charles v suleiman the magnificent and the obsessions that forged modern europe john julius norwich apr 17 2018 304 pages 6 reviews

four princes henry viii francis i charles v suleiman the - Jan 09 2023

web 5 reviews four great princes henry viii of england francis i of france charles v of spain and suleiman the magnificent were born within a single decade each looms large in his

four princes henry viii francis i charles v suleiman the - Feb 10 2023

web four princes henry viii francis i charles v suleiman the magnificent and the obsessions that forged modern europe ebook written by john julius norwich read this book using

four princes henry viii francis i charles v suleiman the - May 01 2022

web four princes henry viii francis i charles v suleiman the magnificent and the obsessions that forged modern europe norwich john julius amazon com tr kitap

four princes henry viii francis i charles v suleim simon sebag - Dec 28 2021

web four princes henry viii francis i charles v suleim is straightforward in our digital library an online entrance to it is set as public thus you can download it instantly our digital library saves in fused countries allowing you to acquire the most less latency era to download any of our books later this one merely said the four princes

bescherelle anglais le vocabulaire - May 02 2022

bescherelle maîtriser la grammaire anglaise - Jul 16 2023

web bescherele anglais la grammaire broché 25 juin 2008 Édition en anglais de michèle malavieille auteur wilfrid rotgé auteur 4 7 455 évaluations afficher tous les formats

bescherelle poche anglais poche 2010 de bescherele - Jan 30 2022

bescherelle l anglais pour tous nouvelle édition fnac - Jan 10 2023

web jun 25 2008 téléchargez le livre bescherele anglais la grammaire de michèle malavieille en ebook au format pdf sur vivlio et retrouvez le sur votre liseuse préférée

bescherelle anglais les verbes editions hatier - Dec 29 2021

bescherelle maîtriser la grammaire anglaise - Aug 17 2023

web s entraîner en anglais avec moncoach bescherelle dans la rubrique communiquer écoutez des dialogues de la vie courante pour améliorer votre oral complétez votre

les articles moncoach bescherelle com - Jul 04 2022

web feb 4 2009 isbn 978 2 218 93450 6 code 4977161 feuilleter l ouvrage une banque de 340 exercices de niveaux b1 b2 pour s approprier les principales règles de l anglais

bescherelle anglais la grammaire - Oct 19 2023

web jun 27 2018 anglais vous hésitez sur une règle de grammaire anglaise vous souhaitez enrichir votre vocabulaire dans cette langue consultez le catalogue

bescherelle anglais la grammaire editions hatier - Jun 15 2023

web jun 25 2008 une grammaire de référence claire et complète une grammaire qui définit tous les termes grammaticaux explique tous les emplois et les illustre dans l anglais de

bescherelle l anglais pour tous nouvelle édition editions hatier - May 14 2023

web cette rubrique du site vous offre un entraînement en ligne des exercices de grammaire interactifs des exercices de prononciation ou encore des dialogues à télécharger sur

bescherelle librairie renaud bray - Sep 06 2022

web 23 06 2010 anglais acheter 4 90 la référence pour consolider votre anglais au format poche descriptif détails tous les outils pour communiquer en anglais une

bescherelle anglais la grammaire amazon fr - Mar 12 2023

web une banque de 340 exercices de niveaux b1 b2 pour s approprier les principales règles de l anglais l ouvrage peut être utilisé en complément de la grammaire anglaise

bescherelle anglais la grammaire ouvrage de référence sur la - Apr 01 2022

anglais bescherelle - Sep 18 2023

web jul 13 2022 1 grammaire une grammaire de l anglais d aujourd'hui 2 communiquer 25 fiches pour mieux vous exprimer dans les situations courantes 3 vocabulaire 3 000

bescherelle anglais les exercices editions hatier - Nov 27 2021

la grammaire anglaise Éditions hurtubise - Dec 09 2022

web jun 25 2008 descriptif détails deux parties complémentaires un lexique thématique de plus de 6000 mots et expression de l anglais contemporain un guide de

bescherelle anglais les exercices distribution hmh - Aug 05 2022

web jun 25 2008 bescherelle anglais les verbes parution 25 06 2008 collection bescherelle langues voir toute la collection isbn 978 2 218 92615 0 code

bescherelle maîtriser la grammaire anglaise - Feb 11 2023

web grammaire 15 questions pour s évaluer anglais 15 questions pour s évaluer 1 les articles exercice 2 les quantifieurs exercice 3 génitif nom of nom ou nom

s entraîner en anglais avec bescherelle - Apr 13 2023

web bescherelle livres de référence de la langue française des centaines de milliers de titres en stock sur renaud bray com livraison rapide livres numériques jeunesse

bescherelle anglais la grammaire ebook au format pdf à - Jun 03 2022

bescherelle anglais les verbes - Feb 28 2022

bescherelle compléments langues - Oct 07 2022

web jun 25 2008 descriptif ouvrage de référence complet sur la conjugaison anglaise il s adresse aussi bien à un public d élèves et d étudiants qu à des adultes désireux

bescherelle anglais la grammaire paperback june 25 2008 - Nov 08 2022

web ouvrage de référence sur la grammaire anglaise bescherelle anglais la grammaire michèle malavieille wilfrid rotgé hatier des milliers de livres avec la livraison chez