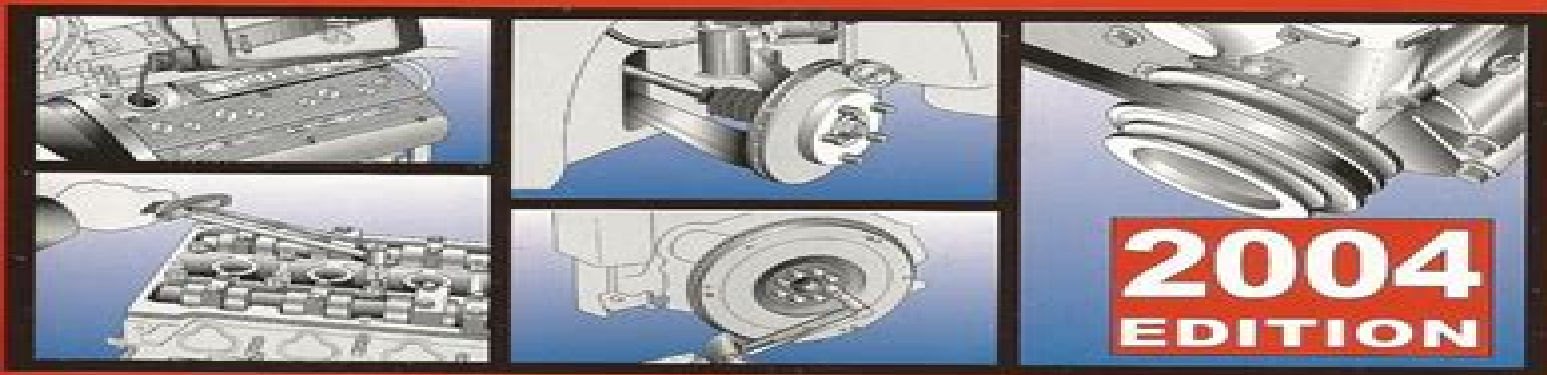


# Technical Specifications

## Domestic Vehicles 1994-03

- ▶ Tuning
- ▶ Service Checks
- ▶ Lubricants and Capacities
- ▶ Fuel System
- ▶ Tightening Torques
- ▶ Brake Dimensions

**DOMESTIC**



**2004 Domestic Technical Specification Manual 199403**  
**Autodata Tech Manual Series**

**Victor M. Corman**



**2004 Domestic Technical Specification Manual 199403 Autodata Tech Manual Series:**

2004 Domestic Technical Specification Manual 199403 Autodata Tech Manual Series: Bestsellers in 2023 The year 2023 has witnessed a remarkable surge in literary brilliance, with numerous engrossing novels captivating the hearts of readers worldwide. Lets delve into the realm of top-selling books, exploring the fascinating narratives that have enthralled audiences this year. 2004 Domestic Technical Specification Manual 199403 Autodata Tech Manual Series : Colleen Hoovers "It Ends with Us" This heartfelt tale of love, loss, and resilience has captivated readers with its raw and emotional exploration of domestic abuse. Hoover skillfully weaves a story of hope and healing, reminding us that even in the darkest of times, the human spirit can triumph. Uncover the Best : Taylor Jenkins Reids "The Seven Husbands of Evelyn Hugo" This spellbinding historical fiction novel unravels the life of Evelyn Hugo, a Hollywood icon who defies expectations and societal norms to pursue her dreams. Reids captivating storytelling and compelling characters transport readers to a bygone era, immersing them in a world of glamour, ambition, and self-discovery. Discover the Magic : Delia Owens "Where the Crawdads Sing" This captivating coming-of-age story follows Kya Clark, a young woman who grows up alone in the marshes of North Carolina. Owens spins a tale of resilience, survival, and the transformative power of nature, captivating readers with its evocative prose and mesmerizing setting. These top-selling novels represent just a fraction of the literary treasures that have emerged in 2023. Whether you seek tales of romance, adventure, or personal growth, the world of literature offers an abundance of engaging stories waiting to be discovered. The novel begins with Richard Papen, a bright but troubled young man, arriving at Hampden College. Richard is immediately drawn to the group of students who call themselves the Classics Club. The club is led by Henry Winter, a brilliant and charismatic young man. Henry is obsessed with Greek mythology and philosophy, and he quickly draws Richard into his world. The other members of the Classics Club are equally as fascinating. Bunny Corcoran is a wealthy and spoiled young man who is always looking for a good time. Charles Tavis is a quiet and reserved young man who is deeply in love with Henry. Camilla Macaulay is a beautiful and intelligent young woman who is drawn to the power and danger of the Classics Club. The students are all deeply in love with Morrow, and they are willing to do anything to please him. Morrow is a complex and mysterious figure, and he seems to be manipulating the students for his own purposes. As the students become more involved with Morrow, they begin to commit increasingly dangerous acts. The Secret History is a exceptional and suspenseful novel that will keep you guessing until the very end. The novel is a warning tale about the dangers of obsession and the power of evil.

<https://gandalf.roeckerfam.com/public/virtual-library/index.jsp/Best%20rated%20Kids%20Web%20Sites.pdf>

## **Table of Contents 2004 Domestic Technical Specification Manual 199403 Autodata Tech Manual Series**

1. Understanding the eBook 2004 Domestic Technical Specification Manual 199403 Autodata Tech Manual Series
  - The Rise of Digital Reading 2004 Domestic Technical Specification Manual 199403 Autodata Tech Manual Series
  - Advantages of eBooks Over Traditional Books
2. Identifying 2004 Domestic Technical Specification Manual 199403 Autodata Tech Manual Series
  - Exploring Different Genres
  - Considering Fiction vs. Non-Fiction
  - Determining Your Reading Goals
3. Choosing the Right eBook Platform
  - Popular eBook Platforms
  - Features to Look for in an eBook 2004 Domestic Technical Specification Manual 199403 Autodata Tech Manual Series
  - User-Friendly Interface
4. Exploring eBook Recommendations from 2004 Domestic Technical Specification Manual 199403 Autodata Tech Manual Series
  - Personalized Recommendations
  - 2004 Domestic Technical Specification Manual 199403 Autodata Tech Manual Series User Reviews and Ratings
  - 2004 Domestic Technical Specification Manual 199403 Autodata Tech Manual Series and Bestseller Lists
5. Accessing 2004 Domestic Technical Specification Manual 199403 Autodata Tech Manual Series Free and Paid eBooks
  - 2004 Domestic Technical Specification Manual 199403 Autodata Tech Manual Series Public Domain eBooks
  - 2004 Domestic Technical Specification Manual 199403 Autodata Tech Manual Series eBook Subscription Services
  - 2004 Domestic Technical Specification Manual 199403 Autodata Tech Manual Series Budget-Friendly Options
6. Navigating 2004 Domestic Technical Specification Manual 199403 Autodata Tech Manual Series eBook Formats
  - ePub, PDF, MOBI, and More
  - 2004 Domestic Technical Specification Manual 199403 Autodata Tech Manual Series Compatibility with Devices
  - 2004 Domestic Technical Specification Manual 199403 Autodata Tech Manual Series Enhanced eBook Features
7. Enhancing Your Reading Experience
  - Adjustable Fonts and Text Sizes of 2004 Domestic Technical Specification Manual 199403 Autodata Tech Manual Series

- Highlighting and Note-Taking 2004 Domestic Technical Specification Manual 199403 Autodata Tech Manual Series
- Interactive Elements 2004 Domestic Technical Specification Manual 199403 Autodata Tech Manual Series
- 8. Staying Engaged with 2004 Domestic Technical Specification Manual 199403 Autodata Tech Manual Series
  - Joining Online Reading Communities
  - Participating in Virtual Book Clubs
  - Following Authors and Publishers 2004 Domestic Technical Specification Manual 199403 Autodata Tech Manual Series
- 9. Balancing eBooks and Physical Books 2004 Domestic Technical Specification Manual 199403 Autodata Tech Manual Series
  - Benefits of a Digital Library
  - Creating a Diverse Reading Collection 2004 Domestic Technical Specification Manual 199403 Autodata Tech Manual Series
- 10. Overcoming Reading Challenges
  - Dealing with Digital Eye Strain
  - Minimizing Distractions
  - Managing Screen Time
- 11. Cultivating a Reading Routine 2004 Domestic Technical Specification Manual 199403 Autodata Tech Manual Series
  - Setting Reading Goals 2004 Domestic Technical Specification Manual 199403 Autodata Tech Manual Series
  - Carving Out Dedicated Reading Time
- 12. Sourcing Reliable Information of 2004 Domestic Technical Specification Manual 199403 Autodata Tech Manual Series
  - Fact-Checking eBook Content of 2004 Domestic Technical Specification Manual 199403 Autodata Tech Manual Series
  - Distinguishing Credible Sources
- 13. Promoting Lifelong Learning
  - Utilizing eBooks for Skill Development
  - Exploring Educational eBooks
- 14. Embracing eBook Trends
  - Integration of Multimedia Elements
  - Interactive and Gamified eBooks

### **2004 Domestic Technical Specification Manual 199403 Autodata Tech Manual Series Introduction**

In today's digital age, the availability of 2004 Domestic Technical Specification Manual 199403 Autodata Tech Manual Series books and manuals for download has revolutionized the way we access information. Gone are the days of physically flipping through pages and carrying heavy textbooks or manuals. With just a few clicks, we can now access a wealth of knowledge from the comfort of our own homes or on the go. This article will explore the advantages of 2004 Domestic Technical Specification Manual 199403 Autodata Tech Manual Series books and manuals for download, along with some popular platforms that offer these resources. One of the significant advantages of 2004 Domestic Technical Specification Manual 199403 Autodata Tech Manual Series books and manuals for download is the cost-saving aspect. Traditional books and manuals can be costly, especially if you need to purchase several of them for educational or professional purposes. By accessing 2004 Domestic Technical Specification Manual 199403 Autodata Tech Manual Series versions, you eliminate the need to spend money on physical copies. This not only saves you money but also reduces the environmental impact associated with book production and transportation. Furthermore, 2004 Domestic Technical Specification Manual 199403 Autodata Tech Manual Series books and manuals for download are incredibly convenient. With just a computer or smartphone and an internet connection, you can access a vast library of resources on any subject imaginable. Whether you're a student looking for textbooks, a professional seeking industry-specific manuals, or someone interested in self-improvement, these digital resources provide an efficient and accessible means of acquiring knowledge. Moreover, PDF books and manuals offer a range of benefits compared to other digital formats. PDF files are designed to retain their formatting regardless of the device used to open them. This ensures that the content appears exactly as intended by the author, with no loss of formatting or missing graphics. Additionally, PDF files can be easily annotated, bookmarked, and searched for specific terms, making them highly practical for studying or referencing. When it comes to accessing 2004 Domestic Technical Specification Manual 199403 Autodata Tech Manual Series books and manuals, several platforms offer an extensive collection of resources. One such platform is Project Gutenberg, a nonprofit organization that provides over 60,000 free eBooks. These books are primarily in the public domain, meaning they can be freely distributed and downloaded. Project Gutenberg offers a wide range of classic literature, making it an excellent resource for literature enthusiasts. Another popular platform for 2004 Domestic Technical Specification Manual 199403 Autodata Tech Manual Series books and manuals is Open Library. Open Library is an initiative of the Internet Archive, a non-profit organization dedicated to digitizing cultural artifacts and making them accessible to the public. Open Library hosts millions of books, including both public domain works and contemporary titles. It also allows users to borrow digital copies of certain books for a limited period, similar to a library lending system. Additionally, many universities and educational institutions have their own digital libraries that provide free access to PDF books and manuals. These libraries often offer academic texts, research papers, and technical manuals, making them

invaluable resources for students and researchers. Some notable examples include MIT OpenCourseWare, which offers free access to course materials from the Massachusetts Institute of Technology, and the Digital Public Library of America, which provides a vast collection of digitized books and historical documents. In conclusion, 2004 Domestic Technical Specification Manual 199403 Autodata Tech Manual Series books and manuals for download have transformed the way we access information. They provide a cost-effective and convenient means of acquiring knowledge, offering the ability to access a vast library of resources at our fingertips. With platforms like Project Gutenberg, Open Library, and various digital libraries offered by educational institutions, we have access to an ever-expanding collection of books and manuals. Whether for educational, professional, or personal purposes, these digital resources serve as valuable tools for continuous learning and self-improvement. So why not take advantage of the vast world of 2004 Domestic Technical Specification Manual 199403 Autodata Tech Manual Series books and manuals for download and embark on your journey of knowledge?

### **FAQs About 2004 Domestic Technical Specification Manual 199403 Autodata Tech Manual Series Books**

How do I know which eBook platform is the best for me? Finding the best eBook platform depends on your reading preferences and device compatibility. Research different platforms, read user reviews, and explore their features before making a choice. Are free eBooks of good quality? Yes, many reputable platforms offer high-quality free eBooks, including classics and public domain works. However, make sure to verify the source to ensure the eBook credibility. Can I read eBooks without an eReader? Absolutely! Most eBook platforms offer web-based readers or mobile apps that allow you to read eBooks on your computer, tablet, or smartphone. How do I avoid digital eye strain while reading eBooks? To prevent digital eye strain, take regular breaks, adjust the font size and background color, and ensure proper lighting while reading eBooks. What the advantage of interactive eBooks? Interactive eBooks incorporate multimedia elements, quizzes, and activities, enhancing the reader engagement and providing a more immersive learning experience. 2004 Domestic Technical Specification Manual 199403 Autodata Tech Manual Series is one of the best book in our library for free trial. We provide copy of 2004 Domestic Technical Specification Manual 199403 Autodata Tech Manual Series in digital format, so the resources that you find are reliable. There are also many Ebooks of related with 2004 Domestic Technical Specification Manual 199403 Autodata Tech Manual Series. Where to download 2004 Domestic Technical Specification Manual 199403 Autodata Tech Manual Series online for free? Are you looking for 2004 Domestic Technical Specification Manual 199403 Autodata Tech Manual Series PDF? This is definitely going to save you time and cash in something you should think about.

**Find 2004 Domestic Technical Specification Manual 199403 Autodata Tech Manual Series :**

[best-rated kids web sites](#)

**best of kiss with notes and tablature**

*best of the worlds worst*

~~between mind and computer fuzzy engineering~~

**betty crocker of flowers**

**better reading french a reader and guide to improving your understanding of written french**

[better homes and gardens community recipes salads and appetizers](#)

*best of santa fe and beyond*

**best of the best from kentucky selected recipes from kentuckys favorite cookbooks**

[better to light one candle the christophers three minutes a day millennial edition](#)

[best snowman](#)

**beto y pedro**

**better homes and gardens silly snacks**

[best of little nemo](#)

[better homes and gardens creative cake decorating better homes and gardenss](#)

**2004 Domestic Technical Specification Manual 199403 Autodata Tech Manual Series :**

Microsoft SQL Server 2012 Unleashed by Rankins, Ray Microsoft SQL Server 2012 Unleashed [Rankins, Ray, Bertucci, Paul, Gallelli, Chris, Silverstein, Alex T., Cotter, Hilary] on Amazon.com. Microsoft SQL Server 2012 Unleashed by Rankins, Ray ... Microsoft SQL Server 2012 Unleashed by Rankins, Ray Published by Sams Publishing 1st (first) edition (2013) Paperback [Ray Rankins] on Amazon.com. Microsoft SQL Server 2012 Unleashed Buy the print version of Microsoft SQL Server 2012 Unleashed and get the eBook version for free! eBook ... By Ray Rankins, Paul Bertucci, Chris Gallelli, Alex T. ray rankins paul bertucci chris Microsoft SQL Server 2005 Unleashed by Ray Rankins, Paul Bertucci, Chris Gallelli, Alex T. Silverstein and a great selection of related books, ... Microsoft SQL Server 2012 Unleashed book by Ray Rankins Buy a cheap copy of Microsoft SQL Server 2012 Unleashed book by Ray Rankins. Buy the print version of Microsoft SQL Server 2012 Unleashed and get the eBook ... Microsoft SQL Server 2012 Unleashed Microsoft SQL Server 2012 Unleashed. ... by Ray Rankins, Paul Bertucci, Chris Gallel. No reviews. Choose a condition ... Microsoft SQL Server 2012 Unleashed: | Guide books Dec 13, 2013 — Buy the print version of Microsoft SQL Server 2012 Unleashed and get the eBook version for free! ... Ray Rankins.

Publication Years 1996 - 2015 ... Microsoft® SQL Server 2012 Unleashed Ray Rankins is owner and president of Gotham Consulting Services, Inc. (<http> ... Ray is coauthor of Microsoft SQL Server 2008 R2 Unleashed, Microsoft SQL Server ... Microsoft SQL Server 2012 Unleashed Microsoft SQL Server 2012 Unleashed. 8 ratings by Goodreads · Ray Rankins, Paul Bertucci, Chris Gallelli, Alex T. Silverstein, Hilary Cotter. Published by Sams ... Pre-Owned Microsoft SQL Server 2012 Unleashed ... Pre-Owned Microsoft SQL Server 2012 Unleashed Paperback 0672336928 9780672336928 Ray Rankins, Paul Bertucci, Chris Gallelli, Alex T. Silverstein, Hilary Cotter. Exemplars Exemplar 1: Topic 8: An analysis and evaluation of the business and financial performance of an organisation over a three year period. Exemplars Many of the key themes from the ACCA syllabus - particularly financial reporting, performance measurement and business analysis - have been discussed in this ... OXFORD BROOKES BUSINESS SCHOOL - [cloudfront.net](http://cloudfront.net) Feb 19, 2018 — Business School, Oxford Brookes University. MESSAGE FROM THE VICE-CHANCELLOR. Oxford Brookes University and by extension Oxford. Brookes ... THE FACULTY OF BUSINESS - [cloudfront.net](http://cloudfront.net) with recent examples on green reporting, business ethics, stakeholder ... OXFORD BROOKES UNIVERSITY FACULTY OF BUSINESS. 10. 2.1.3. STUDENT ENGAGEMENT IN ... OXFORD BROOKES BUSINESS SCHOOL OUR PART-TIME COURSES ALSO INCLUDE: The Oxford Brookes Global MBA - Open to international students. MA/Postgraduate Diploma in Human Resource Management. MA ... OXFORD BROOKES BUSINESS SCHOOL This gives you first-class learning spaces close to university facilities, student halls and the city centre. QUALITY OF OUR COURSES. The high standard of our ... Oxford Brookes University (Oxford Brookes) Oxford Brookes students can get immediate homework help and access over 24900+ documents, study resources, practice tests, essays, notes and more. MARKETING 4001 - Oxford Brookes Access study documents, get answers to your study questions, and connect with real tutors for MARKETING 4001 at Oxford Brookes. 220156560.pdf by R Sharpe · Cited by 219 — This paper describes the implementation of an e-learning strategy at a single higher education institution in terms of the levers used to promote effective ... [Khana Pugos, Dina Pugos] - Goodreads Read 6 reviews from the world's largest community for readers. A Collection of selected essays by Rabindra Mishra which were published in Nepali National N... Khana Pugos, Dina Pugos (Nepali Edition): Mishra, Rabindra Khana Pugos, Dina Pugos is a collection of essays by Rabindra Mishra. The essays primarily focus on the dual themes of 'Practical Philanthropy' and ... Khana Pugos Dina by Rabindra Mishra Khana Pugos, Dina Pugos (Nepali Edition) by Mishra, Rabindra and a great selection of related books, art and collectibles available now at AbeBooks.com. Khana Pugos, Dina Pugos - Khana Pugos, Dina Pugos is a collection of essays by Rabindra Mishra. The essays primarily focus on the dual themes of 'Practical Philanthropy' and ... Khana Pugos, Dina Pugos by Rabindra Mishra, Paperback Khana Pugos, Dina Pugos is a collection of essays by Rabindra Mishra. The essays primarily focus on the dual themes of 'Practical Philanthropy' Khana Pugos Dina Pugos Nepali Edition 9789937905848 Khana Pugos Dina Pugos Nepali Edition ; Item Number. 195602609481 ; ISBN. 9789937905848 ; EAN. 9789937905848 ; Accurate description. 4.9 ;

## **2004 Domestic Technical Specification Manual 199403 Autodata Tech Manual Series**

---

Reasonable shipping cost. Khana Pugos, Dina Pugos (Paperback) Jul 10, 2018 — Khana Pugos, Dina Pugos is a collection of essays by Rabindra Mishra. The essays primarily focus on the dual themes of 'Practical ... Khāna pugos, dina pugos - Ravindra Miśra Articles on the social services and political activities of Nepal; previously published in 'Nitānta vyaktigata' column of daily newspapers 'Kantipur Daily' ... Khana Pugos Dina by Rabindra Mishra, Used Khana Pugos, Dina Pugos (Nepali Edition) by Mishra, Rabindra and a great selection of related books, art and collectibles available now at AbeBooks.com.