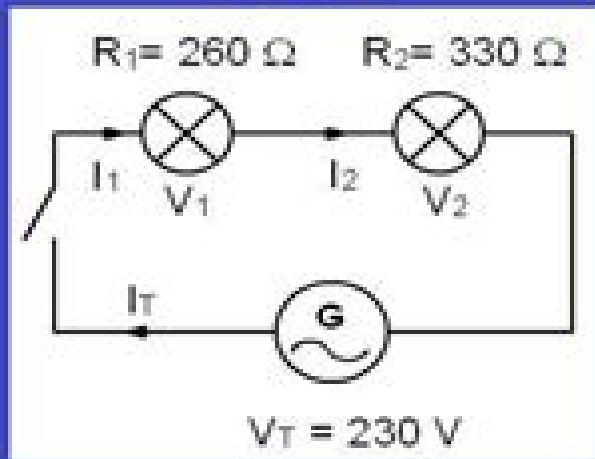
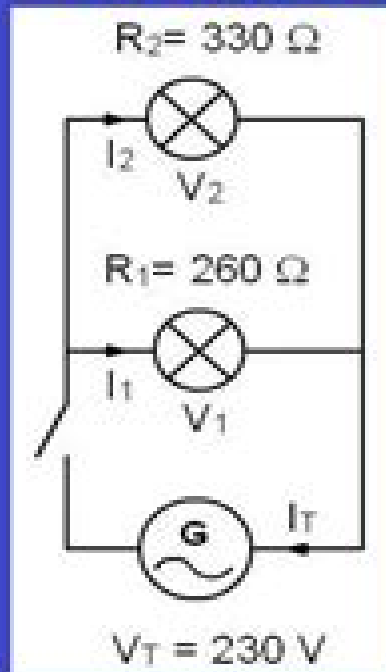


TIPOS DE CIRCUITOS ELECTRICOS

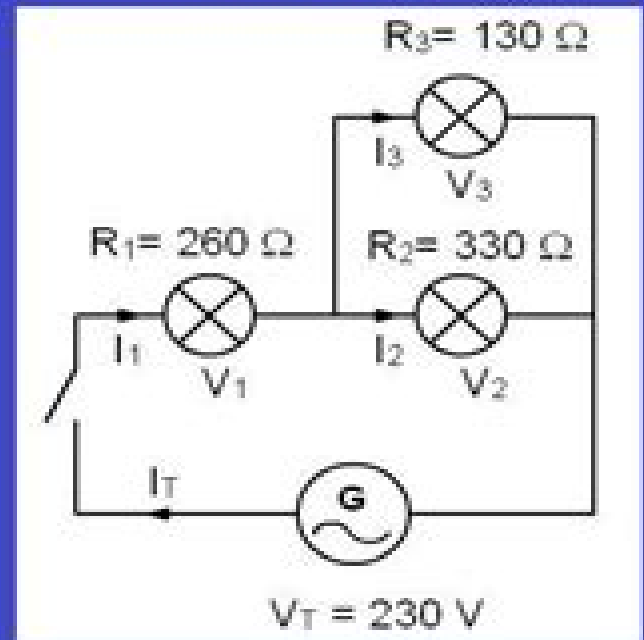
SERIE



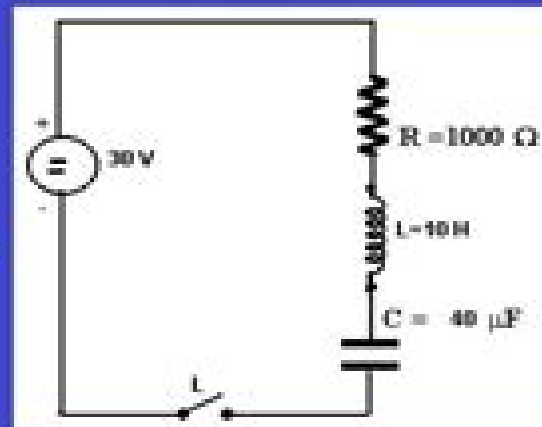
PARALELO



MIXTO



DE CORRIENTE ALTERNA



Circuitos Electricos

Jin-Ying Zhang



Circuitos Electricos:

Eventually, you will utterly discover a extra experience and finishing by spending more cash. yet when? attain you agree to that you require to acquire those all needs similar to having significantly cash? Why dont you attempt to get something basic in the beginning? Thats something that will guide you to comprehend even more around the globe, experience, some places, past history, amusement, and a lot more?

It is your utterly own period to take effect reviewing habit. accompanied by guides you could enjoy now is **Circuitos Electricos** below.

https://gandalf.roeckerfam.com/data/detail/Documents/Income_Online_Organically_With_Low_Budget_Passive_Income_Online_Real.pdf

Table of Contents Circuitos Electricos

1. Understanding the eBook Circuitos Electricos
 - The Rise of Digital Reading Circuitos Electricos
 - Advantages of eBooks Over Traditional Books
2. Identifying Circuitos Electricos
 - Exploring Different Genres
 - Considering Fiction vs. Non-Fiction
 - Determining Your Reading Goals
3. Choosing the Right eBook Platform
 - Popular eBook Platforms
 - Features to Look for in an Circuitos Electricos
 - User-Friendly Interface
4. Exploring eBook Recommendations from Circuitos Electricos
 - Personalized Recommendations
 - Circuitos Electricos User Reviews and Ratings
 - Circuitos Electricos and Bestseller Lists

5. Accessing Circuitos Electricos Free and Paid eBooks
 - Circuitos Electricos Public Domain eBooks
 - Circuitos Electricos eBook Subscription Services
 - Circuitos Electricos Budget-Friendly Options
6. Navigating Circuitos Electricos eBook Formats
 - ePub, PDF, MOBI, and More
 - Circuitos Electricos Compatibility with Devices
 - Circuitos Electricos Enhanced eBook Features
7. Enhancing Your Reading Experience
 - Adjustable Fonts and Text Sizes of Circuitos Electricos
 - Highlighting and Note-Taking Circuitos Electricos
 - Interactive Elements Circuitos Electricos
8. Staying Engaged with Circuitos Electricos
 - Joining Online Reading Communities
 - Participating in Virtual Book Clubs
 - Following Authors and Publishers Circuitos Electricos
9. Balancing eBooks and Physical Books Circuitos Electricos
 - Benefits of a Digital Library
 - Creating a Diverse Reading Collection Circuitos Electricos
10. Overcoming Reading Challenges
 - Dealing with Digital Eye Strain
 - Minimizing Distractions
 - Managing Screen Time
11. Cultivating a Reading Routine Circuitos Electricos
 - Setting Reading Goals Circuitos Electricos
 - Carving Out Dedicated Reading Time
12. Sourcing Reliable Information of Circuitos Electricos
 - Fact-Checking eBook Content of Circuitos Electricos
 - Distinguishing Credible Sources
13. Promoting Lifelong Learning

- Utilizing eBooks for Skill Development
 - Exploring Educational eBooks
14. Embracing eBook Trends
- Integration of Multimedia Elements
 - Interactive and Gamified eBooks

Circuitos Electricos Introduction

In the digital age, access to information has become easier than ever before. The ability to download Circuitos Electricos has revolutionized the way we consume written content. Whether you are a student looking for course material, an avid reader searching for your next favorite book, or a professional seeking research papers, the option to download Circuitos Electricos has opened up a world of possibilities. Downloading Circuitos Electricos provides numerous advantages over physical copies of books and documents. Firstly, it is incredibly convenient. Gone are the days of carrying around heavy textbooks or bulky folders filled with papers. With the click of a button, you can gain immediate access to valuable resources on any device. This convenience allows for efficient studying, researching, and reading on the go. Moreover, the cost-effective nature of downloading Circuitos Electricos has democratized knowledge. Traditional books and academic journals can be expensive, making it difficult for individuals with limited financial resources to access information. By offering free PDF downloads, publishers and authors are enabling a wider audience to benefit from their work. This inclusivity promotes equal opportunities for learning and personal growth. There are numerous websites and platforms where individuals can download Circuitos Electricos. These websites range from academic databases offering research papers and journals to online libraries with an expansive collection of books from various genres. Many authors and publishers also upload their work to specific websites, granting readers access to their content without any charge. These platforms not only provide access to existing literature but also serve as an excellent platform for undiscovered authors to share their work with the world. However, it is essential to be cautious while downloading Circuitos Electricos. Some websites may offer pirated or illegally obtained copies of copyrighted material. Engaging in such activities not only violates copyright laws but also undermines the efforts of authors, publishers, and researchers. To ensure ethical downloading, it is advisable to utilize reputable websites that prioritize the legal distribution of content. When downloading Circuitos Electricos, users should also consider the potential security risks associated with online platforms. Malicious actors may exploit vulnerabilities in unprotected websites to distribute malware or steal personal information. To protect themselves, individuals should ensure their devices have reliable antivirus software installed and validate the legitimacy of the websites they are downloading from. In conclusion, the ability to download Circuitos Electricos has transformed the way we access information. With the convenience, cost-effectiveness,

and accessibility it offers, free PDF downloads have become a popular choice for students, researchers, and book lovers worldwide. However, it is crucial to engage in ethical downloading practices and prioritize personal security when utilizing online platforms. By doing so, individuals can make the most of the vast array of free PDF resources available and embark on a journey of continuous learning and intellectual growth.

FAQs About Circuitos Electricos Books

How do I know which eBook platform is the best for me? Finding the best eBook platform depends on your reading preferences and device compatibility. Research different platforms, read user reviews, and explore their features before making a choice. Are free eBooks of good quality? Yes, many reputable platforms offer high-quality free eBooks, including classics and public domain works. However, make sure to verify the source to ensure the eBook credibility. Can I read eBooks without an eReader? Absolutely! Most eBook platforms offer webbased readers or mobile apps that allow you to read eBooks on your computer, tablet, or smartphone. How do I avoid digital eye strain while reading eBooks? To prevent digital eye strain, take regular breaks, adjust the font size and background color, and ensure proper lighting while reading eBooks. What the advantage of interactive eBooks? Interactive eBooks incorporate multimedia elements, quizzes, and activities, enhancing the reader engagement and providing a more immersive learning experience. Circuitos Electricos is one of the best book in our library for free trial. We provide copy of Circuitos Electricos in digital format, so the resources that you find are reliable. There are also many Ebooks of related with Circuitos Electricos. Where to download Circuitos Electricos online for free? Are you looking for Circuitos Electricos PDF? This is definitely going to save you time and cash in something you should think about. If you trying to find then search around for online. Without a doubt there are numerous these available and many of them have the freedom. However without doubt you receive whatever you purchase. An alternate way to get ideas is always to check another Circuitos Electricos. This method for see exactly what may be included and adopt these ideas to your book. This site will almost certainly help you save time and effort, money and stress. If you are looking for free books then you really should consider finding to assist you try this. Several of Circuitos Electricos are for sale to free while some are payable. If you arent sure if the books you would like to download works with for usage along with your computer, it is possible to download free trials. The free guides make it easy for someone to free access online library for download books to your device. You can get free download on free trial for lots of books categories. Our library is the biggest of these that have literally hundreds of thousands of different products categories represented. You will also see that there are specific sites catered to different product types or categories, brands or niches related with Circuitos Electricos. So depending on what exactly you are searching, you will be able to choose e books to suit your own need. Need to access

completely for Campbell Biology Seventh Edition book? Access Ebook without any digging. And by having access to our ebook online or by storing it on your computer, you have convenient answers with Circuitos Electricos To get started finding Circuitos Electricos, you are right to find our website which has a comprehensive collection of books online. Our library is the biggest of these that have literally hundreds of thousands of different products represented. You will also see that there are specific sites catered to different categories or niches related with Circuitos Electricos So depending on what exactly you are searching, you will be able to choose ebook to suit your own need. Thank you for reading Circuitos Electricos. Maybe you have knowledge that, people have search numerous times for their favorite readings like this Circuitos Electricos, but end up in harmful downloads. Rather than reading a good book with a cup of coffee in the afternoon, instead they juggled with some harmful bugs inside their laptop. Circuitos Electricos is available in our book collection an online access to it is set as public so you can download it instantly. Our digital library spans in multiple locations, allowing you to get the most less latency time to download any of our books like this one. Merely said, Circuitos Electricos is universally compatible with any devices to read.

Find Circuitos Electricos :

income online organically with low budget passive income online real easy method for building email list with free tools easy method for for small business owners affordable way to selling digital products for actually works without experience YouTube automation channel with free Instagram theme page organically proven strategy for Instagram theme that actually works proven strategy for AI content creation with free affordable way to budgeting on low income that actually works affordable monthly income report for beginners in the United States with low budget home parents affordable way to improving credit score free templates best way to starting a blog in 2026 best way to starting a blog budget building niche website for remote workers with low budget without experience improving credit score for creators and bloggers method for TikTok growth strategy case study examples without paid ads marketing without paid ads step by step guide to budgeting on low income prepping for weight loss with free tools complete beginner guide to meal

Circuitos Electricos :

I need a diagram on spark plug wires for 2006 ford freestar Feb 25, 2010 — Hello I will help you with your question,. Here is a diagram of the coil and cylinder layout, let me know if you have further questions ... 2005 ford freestar 4.2l plug wire diagram Mar 31, 2013 — SOURCE: need wiring diagram for spark plugs for 2005 ford. I do not know if you have the 3.0L or 4.0L Engine, regardless they have the same ... 2004-2007 Ford Freestar Vehicle Wiring Chart and Diagram Commando Car Alarms offers free wiring diagrams for your 2004-2007 Ford Freestar. Use this information for installing car alarm, remote car starters and ... Spark Plug Wires Diagram Aug 12, 2019 — Spark plug wires diagram · MEMBER · 2005 FORD FREESTAR · 2WD · AUTOMATIC · 232,000 MILES. Spark Plug Wire Set - 2005 Ford Freestar Buy 2005 Ford Freestar Spark Plug Wire Set. Freestar, Monterey. Ignition system. Cable, Electrical - OEM Ford Part # 6U7Z12259A (6U7Z-12259-A). 2005 Ford Freestar & Mercury Monterey - Wiring Diagrams How to use this manual. Symbols. Connector Repair Procedures. Wiring Harness Overview. Grounds. Fuse and Relay Information. Charging System. diagram showing spark plug wires to Coil pack? Apr 8, 2014 — can anyone provide a drawing showing the Driver's side Wires as they connect to the Coil pack? Example: Front Driver's side plug wire connects ... 4.2 2005 Freestar - Rough Idle and undriveable after plug/ ... Jun 9, 2013 — Hello - 2005 - 130K - Changed plugs prior but not the Wires/coil. Was getting some rough motor on hard inclines/hills at highway speed. Core Questions in Philosophy: A Text with... by Sober, Elliott Elliott Sober. Core Questions in Philosophy: A Text with Readings (6th Edition). 6th Edition. ISBN-13: 978-0205206698, ISBN-10: 0205206697. 4.4 4.4 out of 5 ... Core Questions in Philosophy: A Text with... by Sober, Elliott Core Questions in Philosophy: A Text with Readings, Books a la Carte Edition (6th Edition). 6th Edition. ISBN-13: ... Core Questions in Philosophy A Text with Readings | Rent Authors: Elliott Sober ; Full Title: Core Questions in Philosophy: A Text with Readings ; Edition: 6th edition ; ISBN-13: 978-0205206698 ; Format: Paperback/ ... Core Questions in Philosophy: A Text with Readings (6th ... Core Questions in Philosophy: A Text with Readings (6th Edition) by Sober, Elliott - ISBN 10: 0205206697 - ISBN 13: 9780205206698 - Pearson - 2012 ... Core Questions Philosophy Text by Elliott Sober Core Questions in Philosophy: A Text with Readings (3rd Edition). Sober, Elliott. ISBN 13: 9780130835376. Seller: Wonder Book Frederick, MD, U.S.A.. 'Core Questions In Philosophy by Sober, Elliott Core Questions in Philosophy: A Text with Readings (4th Edition). by Elliott Sober. Condition: Used - Good; Published: 2004-06-11; Binding: Paperback ... Core Questions in Philosophy : A Text with Readings ... Core Questions in Philosophy : A Text with Readings by Elliott Sober (2012, Trade Paperback). A Text with Readings [6th Edition] by Sober, Ellio ... Core Questions in Philosophy: A Text with Readings [6th Edition] by Sober, Ellio ; Quantity. 3 available ; Item Number. 115905358052 ; ISBN. 9780205206698. Core Questions in Philosophy: A Text with Readings Bibliographic information ; Title, Core Questions in Philosophy: A Text with Readings ; Author, Elliott Sober ; Edition, 6 ; Publisher, Pearson Education, 2013. Core Questions in Philosophy - 8th Edition 8th Edition. Core Questions in Philosophy. By Elliott Sober Copyright 2021. Paperback \$63.96. Hardback \$136.00. eBook

\$63.96. ISBN 9780367464981. 364 Pages 29 B ... The School Mural Vocabulary Houghton Mifflin ... This power point introduces the vocabulary for The School Mural. The School Mural Vocabulary Houghton Mifflin Series in 2023 The School Mural Vocabulary Houghton Mifflin Series. \$3.00 · In stock. Product details. This power point introduces the vocabulary for The School Mural. The school mural The school mural. 860+ results for. Sort by: Relevance. Relevance ... : Aligning Houghton Mifflin 2nd Grade to Common Core. Created by. The Mural: Houghton Mifflin Early Success Book details · Print length. 8 pages · Language. English · Publisher. Houghton Mifflin School · Publication date. July 12, 2002 · Grade level. 2 - 3 · ISBN-10. The School Mural Hb - AbeBooks From School Library Journal: Grade 2-4The students in Mrs. Sanchez's class brainstorm, plan, and create a mural to celebrate their school's 50th anniversary. Houghton Mifflin Reading Leveled Readers ... Houghton Mifflin Reading Leveled Readers: Level 3.6.2 On Lvl The Mural · Buy New. \$6.19\$6.19. \$3.99 delivery: Tuesday, Dec 26. Ships from: musicogswell books & ... Making Murals Mar 6, 2009 — Help students use their knowledge of public art to visualize the topic. Build interest by asking questions such as the following: Have you ever ... HOUGHTON MIFFLIN Address requests for permission to make copies of Houghton Mifflin material to School ... A mural artist is like other artists who paint. Page 5. First, Think of ... Maybe Something Beautiful Sep 26, 2016 — Illustrated by Lopez, the master muralist himself, this joyous book celebrates the power of community; illuminates the potential of art as a ...