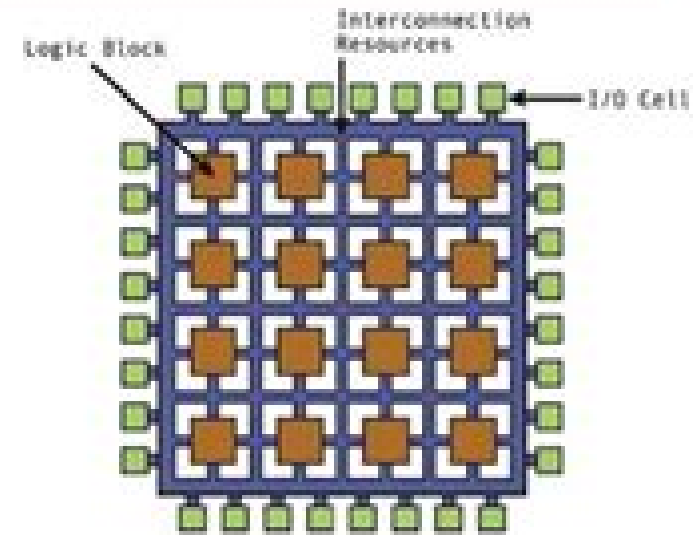


# Gate arrays

- The transistors level masks are fully defined and the designer can not change them.
- Program the wiring and vias to implement the desired function.
- We take a die which have all gates placed but not connected.
- Only layout of interconnect is given to fabrication house.



- Gate array designs are slower than cell-based designs but the implementation time is faster as less time must be spent.
- RTL-based methods and synthesis, together with other CAD tools, are often used for gate arrays.
- Efficiency decreases with GA

# Design Of Vlsi Gate Array Ics

**L Reisser**



## **Design Of Vlsi Gate Array Ics:**

Uncover the mysteries within its enigmatic creation, Discover the Intrigue in **Design Of Vlsi Gate Array Ics** . This downloadable ebook, shrouded in suspense, is available in a PDF format ( PDF Size: \*). Dive into a world of uncertainty and anticipation. Download now to unravel the secrets hidden within the pages.

<https://gandalf.roeckerfam.com/public/publication/Documents/Alleged%20Conception.pdf>

## **Table of Contents Design Of Vlsi Gate Array Ics**

1. Understanding the eBook Design Of Vlsi Gate Array Ics
  - The Rise of Digital Reading Design Of Vlsi Gate Array Ics
  - Advantages of eBooks Over Traditional Books
2. Identifying Design Of Vlsi Gate Array Ics
  - Exploring Different Genres
  - Considering Fiction vs. Non-Fiction
  - Determining Your Reading Goals
3. Choosing the Right eBook Platform
  - Popular eBook Platforms
  - Features to Look for in an Design Of Vlsi Gate Array Ics
  - User-Friendly Interface
4. Exploring eBook Recommendations from Design Of Vlsi Gate Array Ics
  - Personalized Recommendations
  - Design Of Vlsi Gate Array Ics User Reviews and Ratings
  - Design Of Vlsi Gate Array Ics and Bestseller Lists
5. Accessing Design Of Vlsi Gate Array Ics Free and Paid eBooks
  - Design Of Vlsi Gate Array Ics Public Domain eBooks
  - Design Of Vlsi Gate Array Ics eBook Subscription Services
  - Design Of Vlsi Gate Array Ics Budget-Friendly Options
6. Navigating Design Of Vlsi Gate Array Ics eBook Formats

- ePub, PDF, MOBI, and More
  - Design Of Vlsi Gate Array Ics Compatibility with Devices
  - Design Of Vlsi Gate Array Ics Enhanced eBook Features
7. Enhancing Your Reading Experience
    - Adjustable Fonts and Text Sizes of Design Of Vlsi Gate Array Ics
    - Highlighting and Note-Taking Design Of Vlsi Gate Array Ics
    - Interactive Elements Design Of Vlsi Gate Array Ics
  8. Staying Engaged with Design Of Vlsi Gate Array Ics
    - Joining Online Reading Communities
    - Participating in Virtual Book Clubs
    - Following Authors and Publishers Design Of Vlsi Gate Array Ics
  9. Balancing eBooks and Physical Books Design Of Vlsi Gate Array Ics
    - Benefits of a Digital Library
    - Creating a Diverse Reading Collection Design Of Vlsi Gate Array Ics
  10. Overcoming Reading Challenges
    - Dealing with Digital Eye Strain
    - Minimizing Distractions
    - Managing Screen Time
  11. Cultivating a Reading Routine Design Of Vlsi Gate Array Ics
    - Setting Reading Goals Design Of Vlsi Gate Array Ics
    - Carving Out Dedicated Reading Time
  12. Sourcing Reliable Information of Design Of Vlsi Gate Array Ics
    - Fact-Checking eBook Content of Design Of Vlsi Gate Array Ics
    - Distinguishing Credible Sources
  13. Promoting Lifelong Learning
    - Utilizing eBooks for Skill Development
    - Exploring Educational eBooks
  14. Embracing eBook Trends
    - Integration of Multimedia Elements
    - Interactive and Gamified eBooks

### Design Of Vlsi Gate Array Ics Introduction

Design Of Vlsi Gate Array Ics Offers over 60,000 free eBooks, including many classics that are in the public domain. Open Library: Provides access to over 1 million free eBooks, including classic literature and contemporary works. Design Of Vlsi Gate Array Ics Offers a vast collection of books, some of which are available for free as PDF downloads, particularly older books in the public domain. Design Of Vlsi Gate Array Ics : This website hosts a vast collection of scientific articles, books, and textbooks. While it operates in a legal gray area due to copyright issues, its a popular resource for finding various publications. Internet Archive for Design Of Vlsi Gate Array Ics : Has an extensive collection of digital content, including books, articles, videos, and more. It has a massive library of free downloadable books. Free-eBooks Design Of Vlsi Gate Array Ics Offers a diverse range of free eBooks across various genres. Design Of Vlsi Gate Array Ics Focuses mainly on educational books, textbooks, and business books. It offers free PDF downloads for educational purposes. Design Of Vlsi Gate Array Ics Provides a large selection of free eBooks in different genres, which are available for download in various formats, including PDF. Finding specific Design Of Vlsi Gate Array Ics, especially related to Design Of Vlsi Gate Array Ics, might be challenging as theyre often artistic creations rather than practical blueprints. However, you can explore the following steps to search for or create your own Online Searches: Look for websites, forums, or blogs dedicated to Design Of Vlsi Gate Array Ics, Sometimes enthusiasts share their designs or concepts in PDF format. Books and Magazines Some Design Of Vlsi Gate Array Ics books or magazines might include. Look for these in online stores or libraries. Remember that while Design Of Vlsi Gate Array Ics, sharing copyrighted material without permission is not legal. Always ensure youre either creating your own or obtaining them from legitimate sources that allow sharing and downloading. Library Check if your local library offers eBook lending services. Many libraries have digital catalogs where you can borrow Design Of Vlsi Gate Array Ics eBooks for free, including popular titles. Online Retailers: Websites like Amazon, Google Books, or Apple Books often sell eBooks. Sometimes, authors or publishers offer promotions or free periods for certain books. Authors Website Occasionally, authors provide excerpts or short stories for free on their websites. While this might not be the Design Of Vlsi Gate Array Ics full book , it can give you a taste of the authors writing style. Subscription Services Platforms like Kindle Unlimited or Scribd offer subscription-based access to a wide range of Design Of Vlsi Gate Array Ics eBooks, including some popular titles.

### FAQs About Design Of Vlsi Gate Array Ics Books

1. Where can I buy Design Of Vlsi Gate Array Ics books? Bookstores: Physical bookstores like Barnes & Noble, Waterstones, and independent local stores. Online Retailers: Amazon, Book Depository, and various online bookstores

- offer a wide range of books in physical and digital formats.
2. What are the different book formats available? Hardcover: Sturdy and durable, usually more expensive. Paperback: Cheaper, lighter, and more portable than hardcovers. E-books: Digital books available for e-readers like Kindle or software like Apple Books, Kindle, and Google Play Books.
  3. How do I choose a Design Of Vlsi Gate Array Ics book to read? Genres: Consider the genre you enjoy (fiction, non-fiction, mystery, sci-fi, etc.). Recommendations: Ask friends, join book clubs, or explore online reviews and recommendations. Author: If you like a particular author, you might enjoy more of their work.
  4. How do I take care of Design Of Vlsi Gate Array Ics books? Storage: Keep them away from direct sunlight and in a dry environment. Handling: Avoid folding pages, use bookmarks, and handle them with clean hands. Cleaning: Gently dust the covers and pages occasionally.
  5. Can I borrow books without buying them? Public Libraries: Local libraries offer a wide range of books for borrowing. Book Swaps: Community book exchanges or online platforms where people exchange books.
  6. How can I track my reading progress or manage my book collection? Book Tracking Apps: Goodreads, LibraryThing, and Book Catalogue are popular apps for tracking your reading progress and managing book collections. Spreadsheets: You can create your own spreadsheet to track books read, ratings, and other details.
  7. What are Design Of Vlsi Gate Array Ics audiobooks, and where can I find them? Audiobooks: Audio recordings of books, perfect for listening while commuting or multitasking. Platforms: Audible, LibriVox, and Google Play Books offer a wide selection of audiobooks.
  8. How do I support authors or the book industry? Buy Books: Purchase books from authors or independent bookstores. Reviews: Leave reviews on platforms like Goodreads or Amazon. Promotion: Share your favorite books on social media or recommend them to friends.
  9. Are there book clubs or reading communities I can join? Local Clubs: Check for local book clubs in libraries or community centers. Online Communities: Platforms like Goodreads have virtual book clubs and discussion groups.
  10. Can I read Design Of Vlsi Gate Array Ics books for free? Public Domain Books: Many classic books are available for free as they're in the public domain. Free E-books: Some websites offer free e-books legally, like Project Gutenberg or Open Library.

**Find Design Of Vlsi Gate Array Ics :**

**alleged conception**

**allan pinkerton**

~~all time favorite salad recipes~~

~~all the colors of darkness~~

**all heads turn when the hunt goes by**

**allegas window small is beautiful**

all the way to morning

~~all time pop hits~~

*all about raccoons*

alles schmeckt nach abschied tagebacher 1964 1970

**all new government secrets**

~~all kinds of bodies~~

*all the saints adore thee insight from christian classics*

all abrahams children changing mormon conceptions of race and lineage

**all around mathematics instructors edition**

**Design Of Vlsi Gate Array Ics :**

**score kerala** - Mar 24 2023

web score state council for open and lifelong education kerala score kerala formerly kerala state open school ksos

vidyabhavan poojappura thiruvananthapuram 695012 orientation details plus one higher secondary private registration first year 2022 24 name of school school code phone no

*score kerala exam 2023 check time table syllabus getmyuni* - Nov 20 2022

web mar 24 2023 score kerala exam 2023 the state council for open and lifelong education score will conduct the score kerala exam 2023 in april 2023 tentative the admit card for score kerala exam 2023 will be released in the 1st week of march 2023 tentative the registration form was released in october 2022

*score kerala* - Dec 21 2022

web score kerala state council for open state council for open and lifelong education kerala score kerala formerly kerala state open school ksos vidyabhavan poojappura thiruvananthapuram 695012 phone 0471 2342950 2342271 2342369 email scolekerala gmail com scolekerala org id00ss0

*education in kerala wikipedia* - Apr 13 2022

web each school is affiliated with either the state council of educational research and training kerala scert kerala central

board for secondary education cbse indian certificate of secondary education icse or the national institute of open schooling nios though some schools in the state do offer cambridge international examination s

**kerala government decides to open schools colleges adhering to** - Oct 19 2022

web sep 12 2021 updated sep 12 2021 09 43 ist the kerala education department is conducting a series of talks with education experts to open up schools colleges in the coming months representational image photo credit ians key highlights a decision on shift timings will be taken by the principal of the institution in consultation with the college

*state open school sos the national institute of open* - Feb 11 2022

web state open school sos the national institute of open schooling nios with current enrolment of about thirteen lakh students at secondary and senior secondary stage is the largest open schooling organization in the world

**scole registration 2023 kerala state open school plus one** - Jun 15 2022

web jul 10 2023 kerala state open school plus one 1 admission 2023 advertisements advertisements scole regular private registration 2023 state council for open and lifelong education which is also known as kerala state open school is one of the largest state open school in india

*kerala schools reopening kerala govt to release detailed guidelines* - Mar 12 2022

web oct 4 2021 updated oct 4 2021 17 43 ist kerala school reopening as per the updates the schools for classes 1st to 7th 10th and 12th will reopen from 1st november 2021 in order to reopen schools in

**scole kerala** - Aug 29 2023

web scole kerala invites online registration for higher secondary plus one open regular and private registration 24 july 2023 commencement of registration 23 august 2023 last date of applications without fine 05 september 2023 last date with a fine of rs 60 courses offered i higher secondary open regular

**scole kerala syllabus 2023 download pdf getmyuni** - Feb 23 2023

web mar 15 2023 to download the scole kerala syllabus 2023 candidates need to perform the steps which are mention below step 1 visit the official website of the open board step 2 scroll down to the downloads section at the bottom right of the homepage step 3 now click on the syllabus link step 4 the syllabus pdf file will be displayed on the screen

*kerala open school plus one admission application* - Jul 16 2022

web sep 25 2023 kerala state open school plus one regular or private online registration started for admission in higher secondary open regular and higher secondary private registration 2023 25 students can register online through scolekerala org kerala open school plus one admission 2023 scole kerala

**kerala state open school poojappura thiruvananthapuram kerala** - Apr 25 2023

web fan club kerala state open school is located at poojappura in thiruvananthapuram district of kerala india it is affiliated

with kbpe kerala board of public examinations it believes in overall development of the students by balancing academics extra curricular activities sports in the state of art infrastructure within the campus

*state council for open and lifelong education kerala* - Jul 28 2023

web scole kerala state council for open and lifelong education kerala was established by a government order g o ms no 206 2015 g edn dated 30 07 2015 as a reorganized form of kerala state open school which was established in 1999 the central office of scole kerala is situated in vidya bhavan poojappura thiruvananthapuram

*kerala govt mulls reopening schools sets up expert panel* - Aug 17 2022

web sep 2 2021 thiruvananthapuram despite concerns about increasing covid 19 cases the kerala government is mulling to reopen schools as it has decided to set up an expert panel to study the present circumstances in the state and submit a report in this regard

**scole kerala** - Jan 22 2023

web kerala council state council for open and l felonc education kerala formerly kerala state open school ksos vidyabhavan poojappura thiruvananthapuram 695012 orientation details plus two higher secondary private registration 11 year 2021 23 ordinating teacher ifs code number of

kerala school reopening date 2021 schools to reopen from - May 14 2022

web sep 23 2021 kerala schools reopening date 2021 decision has been taken by the state government the schools would reopen from november 1 2021 in staggered manner check complete details shared below

kerala preparing to reopen schools from november 1 - Sep 18 2022

web sep 18 2021 thiruvananthapuram the state government is contemplating opening schools from november 1 the state level daily covid review meeting held on saturday decided to begin the arrangements for reopening classes for standards 1 to 12 chief minister pinarayi vijayan has suggested beginning classes for grades 1 to 7 and 10 12

**sree narayanaguru open university wikipedia** - May 26 2023

web sreenarayanaguru open university sgou is a public state open university located in kollam kerala established in 2020 by the sreenarayanaguru open university act 2021 kerala act no 1 of 2021 the first open university in kerala it was approved by the university grants commission ugc in 2021

*newman s group of institutions* - Jan 10 2022

web plus one plus two courses we offer regular online and distance classes for 2 nios the national institute of open schooling 1 2 regular ksos kerala state open school 9645 800 795 for more details apply now

scole kerala - Jun 27 2023

web lifelong education kerala state council for open and lifelong education kerala scole keraia formerly kerala state open

school ksos scole kerala of 01 24 10 2019 a jçòoffløjòà 1 resolution no f6 2 89 sch lil dated 21 11 1989 of government of india  
**six flags physics day packet answers 2014 download only** - Nov 30 2022

web mar 29 2023 kindly say the six flags physics answers swashbuckler is universally compatible with any devices to read the space shuttle decision national aeronautics

**sixflagsphysicsanswersswashbuckler download only** - Jan 21 2022

web 1 sixflagsphysicsanswersswashbuckler terminal world sep 03 2023 in the last surviving human city an ex spy gets sucked into a dangerous quest

*upper merion six flags great adventure physics day mr mont* - Aug 08 2023

web upper merion six flags great adventure physics day conceptual questions problems six flags claims that the big wheel ferris wheel ride is 150 ft tall how does

**swashbuckler six flags great adventure youtube** - Jun 25 2022

web ada guidelines just like the brave pirates next door on the buccaneer the swashbuckler is your ticket to a daring adventure you ll fly boldly through the air with the trees at your

six flags physics answers swashbuckler pdf 2023 - Feb 02 2023

web 2015 01 20 1 16 six flags physics day answer key six flags physics day answer key 2023 5 steps to a 5 500 ap physics questions to know by test day 5 steps to a 5

six flags physics answers swashbuckler pdf uniport edu - May 05 2023

web apr 13 2023 six flags physics answers swashbuckler 2 15 downloaded from uniport edu ng on april 13 2023 by guest affected he consulted a british psychiatrist

*physics workbook six flags yumpu* - Oct 10 2023

web nov 29 2012 physics workbook six flags show more show less the swashbuckler lakefront br pages 44 46 br the workbook is

six flags physics answers swashbuckler pdf - Sep 28 2022

web modern physics deep theories an answer for everything feb 12 2022 what s the best book ever written what would happen if we all stopped eating meat what s the secret

**read free six flags physics answers swashbuckler** - Aug 28 2022

web six flags physics answers swashbuckler 1 10 downloaded from uniport edu ng on april 11 2023 by guest six flags physics answers swashbuckler when somebody should

**six flags physics answers swashbuckler uniport edu** - Nov 18 2021

**six flags physics day answer key 2023 test ajj** - Jan 01 2023

web six flags physics answers swashbuckler pdf free download six flags great america physics day roller coaster ride offers unique physics lesson every ride at six

*swashbuckler six flags great adventure* - Mar 03 2023

web six flags physics answers swashbuckler pdf upload jason s boyle 2 6 downloaded from status restek wwu edu on september 18 2023 by jason s boyle blitzed norman

six flags physics answers swashbuckler pdf uniport edu - Oct 30 2022

web six flags physics answers swashbuckler the enigmatic realm of six flags physics answers swashbuckler unleashing the language is inner magic in a fast paced digital

six flags - Apr 04 2023

web six flags

*solved since the late 70s new jersey s own six flags chegg* - Jul 07 2023

web advanced physics advanced physics questions and answers since the late 70s new jersey s own six flags great adventure has hosted a spring physics day started

*six flags physics answers swashbuckler copy api mobomo* - Mar 23 2022

web getting this info acquire the six flags physics answers swashbuckler associate that we have enough money here and check out the link you could buy guide six flags physics

six flags physics answers swashbuckler pdf uniport edu - Jul 27 2022

web physics trip 2014

**six flags physics answers swashbuckler brabantmagazines nl** - Jun 06 2023

web six flags physics answers swashbuckler whispering the secrets of language an mental journey through six flags physics answers swashbuckler in a digitally driven

**six flags** - Sep 09 2023

web learn about the physics behind the thrilling rides at six flags great adventure with this interactive workbook explore the concepts of force motion energy and more with fun

*six flags physics answers swashbuckler uniport edu* - Feb 19 2022

web sixflagsphysicsanswersswashbuckler way of the argosi paradoxes of defence abney park s airship pirates the dark prophecy the space shuttle decision

*swashbuckler six flags magic mountain* - May 25 2022

web six flags physics answers swashbuckler six flags physics answers swashbuckler 2 downloaded from waptac org on 2021

04 21 by guest significance is manifest and

**six flags physics answers swashbuckler pdf waptac** - Apr 23 2022

web six flags physics answers swashbuckler six flags great adventure swashbuckler on ride pov 1080p unleash your inner pirate on swashbuckler six flags great

*sixflagsphysicsanswersswashbuckler* - Dec 20 2021

web as this six flags physics answers swashbuckler it ends going on monster one of the favored book six flags physics answers swashbuckler collections that we have

*the music industry music in the cloud dms digital* - Jun 01 2022

web the music industry music in the cloud dms digital media and society by wikström patrik at abebooks co uk isbn 10 0745643906 isbn 13 9780745643908 polity press 2009 softcover

**the music industry music in the cloud 3rd edition wiley** - Apr 11 2023

web this thoroughly updated third edition provides an international overview of the music industry and its future prospects in the world of global entertainment the music industry has experienced two turbulent decades of immense change brought about in part by the digital revolution

**music streaming services step up ai to drive engagement** - Feb 26 2022

web 1 day ago for instance spotify and google cloud announced thursday nov 16 the expansion of their partnership leveraging ai to drive engagement with the leading global music streaming platform

**9780745664187 the music industry music in the cloud dms digital** - Jul 02 2022

web the music industry music in the cloud dms digital media and society by wikström patrik at abebooks co uk isbn 10 0745664180 isbn 13 9780745664187 polity press 2013 softcover

[the music industry music in the cloud worldcat org](#) - Jan 08 2023

web what is the role of music in the age of computers and the internet how has the music industry been transformed by the economic and technological upheavals of recent years and how is it likely to change in the future this thoroughly revised and updated new edition provides an international overview of the music industry and its future

[the music industry music in the cloud semantic scholar](#) - Feb 09 2023

web feb 8 2010 the music industry music in the cloud patrik wikstrom published 8 february 2010 art tldr this book discusses music in the cloud the music industry as a whole and the role of technology in the creative process expand view via publisher save to library

**the music industry music in the cloud dms digital media and** - Apr 30 2022

web partik wikström s the music industry music in the cloud concerns the music industry s historical development and how it

might adapt to survive in the contemporary era of cheap and easy digital distribution

[the music industry music in the cloud google books](#) - Dec 07 2022

web jan 21 2014 the music industry music in the cloud patrik wikström john wiley sons jan 21 2014 social science 242 pages

the music industry is going through a period of immense change

[the music industry music in the cloud dms digital media and](#) - Sep 04 2022

web by looking at the contemporary landscape of popular music from multiple perspectives including the fan perspective

wikström provides clear explanations for the consequences new digital media have had for music musicians and the

recording industry

[the music industry music in the cloud dms digital](#) - May 12 2023

web highlighting a range of topics such as preparedness and assessment aid and relief and the integration of smart

technologies this multi volume book is designed for emergency professionals policy makers practitioners academicians and

researchers interested in all aspects of disaster crisis and emergency studies

*the music industry music in the cloud dms digital media and society* - Jul 14 2023

web jul 26 2013 patrik wikstrom illuminates the workings of the music industry and captures the dynamics at work in the

production of musical culture between the transnational media conglomerates the independent music companies and the

public

*the music industry music in the cloud google books* - Nov 06 2022

web apr 25 2013 this is the first major study of the music industry in the new millennium wikström provides an international

overview of the music industry and its future prospects in the world of global entertainment they illuminate the workings of

the music industry and capture the dynamics at work in the production of musical culture between

**book review the music industry music in the cloud dms digital** - Jun 13 2023

web intended for healthcare professionals 0 cart cart

**the music industry music in the cloud request pdf** - Oct 05 2022

web jan 1 2010 the notion that the music industry is in fact an ecosystem of disparate industries with some common

interests williamson cloonan 2007 pp 305 306 and should therefore be referred to as

**the music industry music in the cloud google books** - Aug 03 2022

web this is the first major study of the music industry in the new millennium wikström provides an international overview of

the music industry and its future prospects in the world of global entertainment they illuminate the workings of the music

industry and capture the dynamics at work in the production of musical culture between the

**the music industry music in the cloud dms digital music and** - Oct 17 2023

web oct 15 2015 the second edition of the music industry music in the cloud includes expanded sections on social media online business models and the structure of the music industry as well as discussions from

**the music industry music in the cloud dms digital media and society** - Aug 15 2023

web buy the music industry music in the cloud dms digital media and society by wikström patrik isbn 9780745643908 from amazon s book store everyday low prices and free delivery on eligible orders

**the music industry music in the cloud 3rd edition wiley** - Mar 10 2023

web this thoroughly updated third edition provides an international overview of the music industry and its future prospects in the world of global entertainment the music industry has experienced two turbulent decades of immense change brought about in part by the digital revolution

*the music industry music in the cloud by patrik wikström* - Mar 30 2022

web the aim of patrik wikström s first book the music industry music in the cloud is to offer an update on the theoretical discourses surrounding the music industry utilising his background in business and management wikström has attempted to account for the apparent crisis that the sector has undergone since the internet and new digital

**wiley vch the music industry** - Sep 16 2023

web the music industry music in the cloud wikström patrik dms digital media and society