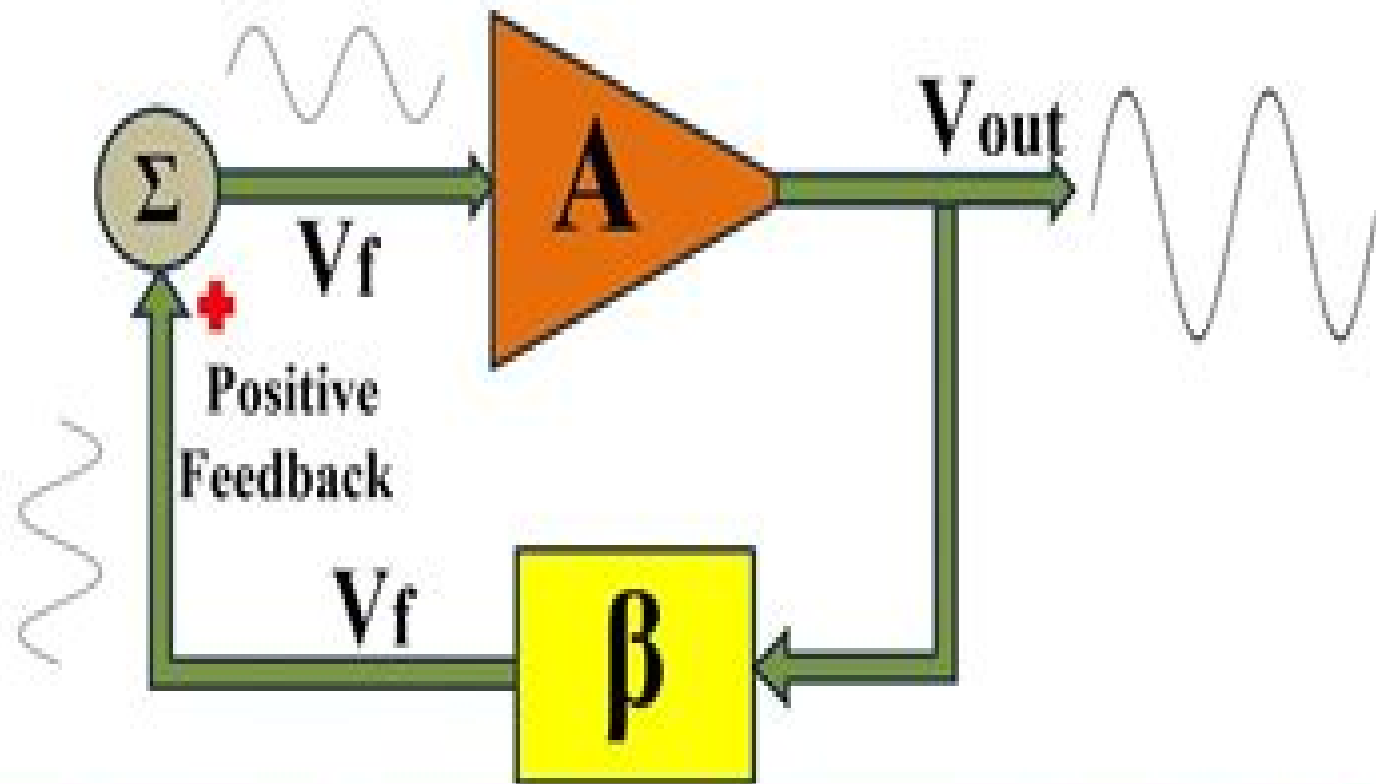


Oscillator



Loop Gain ($A \times \beta$) = 1

Phase shift ($\angle A\beta$) = 0

Designers Guide To Highpurity Oscillators

AN Whitehead



Designers Guide To Highpurity Oscillators:

Immerse yourself in the artistry of words with is expressive creation, Discover the Artistry of **Designers Guide To Highpurity Oscillators** . This ebook, presented in a PDF format (PDF Size: *), is a masterpiece that goes beyond conventional storytelling. Indulge your senses in prose, poetry, and knowledge. Download now to let the beauty of literature and artistry envelop your mind in a unique and expressive way.

<https://gandalf.roeckerfam.com/book/virtual-library/index.jsp/daily%20inspiration%20for%20the%20purpose%20driven%20ife%20scriptures%20and%20reflections%20from%20the%2040%20days%20of%20purpose.pdf>

Table of Contents Designers Guide To Highpurity Oscillators

1. Understanding the eBook Designers Guide To Highpurity Oscillators
 - The Rise of Digital Reading Designers Guide To Highpurity Oscillators
 - Advantages of eBooks Over Traditional Books
2. Identifying Designers Guide To Highpurity Oscillators
 - Exploring Different Genres
 - Considering Fiction vs. Non-Fiction
 - Determining Your Reading Goals
3. Choosing the Right eBook Platform
 - Popular eBook Platforms
 - Features to Look for in an Designers Guide To Highpurity Oscillators
 - User-Friendly Interface
4. Exploring eBook Recommendations from Designers Guide To Highpurity Oscillators
 - Personalized Recommendations
 - Designers Guide To Highpurity Oscillators User Reviews and Ratings
 - Designers Guide To Highpurity Oscillators and Bestseller Lists
5. Accessing Designers Guide To Highpurity Oscillators Free and Paid eBooks
 - Designers Guide To Highpurity Oscillators Public Domain eBooks
 - Designers Guide To Highpurity Oscillators eBook Subscription Services

- Designers Guide To Highpurity Oscillators Budget-Friendly Options
- 6. Navigating Designers Guide To Highpurity Oscillators eBook Formats
 - ePub, PDF, MOBI, and More
 - Designers Guide To Highpurity Oscillators Compatibility with Devices
 - Designers Guide To Highpurity Oscillators Enhanced eBook Features
- 7. Enhancing Your Reading Experience
 - Adjustable Fonts and Text Sizes of Designers Guide To Highpurity Oscillators
 - Highlighting and Note-Taking Designers Guide To Highpurity Oscillators
 - Interactive Elements Designers Guide To Highpurity Oscillators
- 8. Staying Engaged with Designers Guide To Highpurity Oscillators
 - Joining Online Reading Communities
 - Participating in Virtual Book Clubs
 - Following Authors and Publishers Designers Guide To Highpurity Oscillators
- 9. Balancing eBooks and Physical Books Designers Guide To Highpurity Oscillators
 - Benefits of a Digital Library
 - Creating a Diverse Reading Collection Designers Guide To Highpurity Oscillators
- 10. Overcoming Reading Challenges
 - Dealing with Digital Eye Strain
 - Minimizing Distractions
 - Managing Screen Time
- 11. Cultivating a Reading Routine Designers Guide To Highpurity Oscillators
 - Setting Reading Goals Designers Guide To Highpurity Oscillators
 - Carving Out Dedicated Reading Time
- 12. Sourcing Reliable Information of Designers Guide To Highpurity Oscillators
 - Fact-Checking eBook Content of Designers Guide To Highpurity Oscillators
 - Distinguishing Credible Sources
- 13. Promoting Lifelong Learning
 - Utilizing eBooks for Skill Development
 - Exploring Educational eBooks
- 14. Embracing eBook Trends

- Integration of Multimedia Elements
- Interactive and Gamified eBooks

Designers Guide To Highpurity Oscillators Introduction

In the digital age, access to information has become easier than ever before. The ability to download Designers Guide To Highpurity Oscillators has revolutionized the way we consume written content. Whether you are a student looking for course material, an avid reader searching for your next favorite book, or a professional seeking research papers, the option to download Designers Guide To Highpurity Oscillators has opened up a world of possibilities. Downloading Designers Guide To Highpurity Oscillators provides numerous advantages over physical copies of books and documents. Firstly, it is incredibly convenient. Gone are the days of carrying around heavy textbooks or bulky folders filled with papers. With the click of a button, you can gain immediate access to valuable resources on any device. This convenience allows for efficient studying, researching, and reading on the go. Moreover, the cost-effective nature of downloading Designers Guide To Highpurity Oscillators has democratized knowledge. Traditional books and academic journals can be expensive, making it difficult for individuals with limited financial resources to access information. By offering free PDF downloads, publishers and authors are enabling a wider audience to benefit from their work. This inclusivity promotes equal opportunities for learning and personal growth. There are numerous websites and platforms where individuals can download Designers Guide To Highpurity Oscillators. These websites range from academic databases offering research papers and journals to online libraries with an expansive collection of books from various genres. Many authors and publishers also upload their work to specific websites, granting readers access to their content without any charge. These platforms not only provide access to existing literature but also serve as an excellent platform for undiscovered authors to share their work with the world. However, it is essential to be cautious while downloading Designers Guide To Highpurity Oscillators. Some websites may offer pirated or illegally obtained copies of copyrighted material. Engaging in such activities not only violates copyright laws but also undermines the efforts of authors, publishers, and researchers. To ensure ethical downloading, it is advisable to utilize reputable websites that prioritize the legal distribution of content. When downloading Designers Guide To Highpurity Oscillators, users should also consider the potential security risks associated with online platforms. Malicious actors may exploit vulnerabilities in unprotected websites to distribute malware or steal personal information. To protect themselves, individuals should ensure their devices have reliable antivirus software installed and validate the legitimacy of the websites they are downloading from. In conclusion, the ability to download Designers Guide To Highpurity Oscillators has transformed the way we access information. With the convenience, cost-effectiveness, and accessibility it offers, free PDF downloads have become a popular choice for students, researchers, and book lovers worldwide. However, it is crucial to engage in ethical

downloading practices and prioritize personal security when utilizing online platforms. By doing so, individuals can make the most of the vast array of free PDF resources available and embark on a journey of continuous learning and intellectual growth.

FAQs About Designers Guide To Highpurity Oscillators Books

What is a Designers Guide To Highpurity Oscillators PDF? A PDF (Portable Document Format) is a file format developed by Adobe that preserves the layout and formatting of a document, regardless of the software, hardware, or operating system used to view or print it. **How do I create a Designers Guide To Highpurity Oscillators PDF?** There are several ways to create a PDF: Use software like Adobe Acrobat, Microsoft Word, or Google Docs, which often have built-in PDF creation tools. Print to PDF: Many applications and operating systems have a "Print to PDF" option that allows you to save a document as a PDF file instead of printing it on paper. Online converters: There are various online tools that can convert different file types to PDF. **How do I edit a Designers Guide To Highpurity Oscillators PDF?** Editing a PDF can be done with software like Adobe Acrobat, which allows direct editing of text, images, and other elements within the PDF. Some free tools, like PDFescape or Smallpdf, also offer basic editing capabilities. **How do I convert a Designers Guide To Highpurity Oscillators PDF to another file format?** There are multiple ways to convert a PDF to another format: Use online converters like Smallpdf, Zamzar, or Adobe Acrobats export feature to convert PDFs to formats like Word, Excel, JPEG, etc. Software like Adobe Acrobat, Microsoft Word, or other PDF editors may have options to export or save PDFs in different formats. **How do I password-protect a Designers Guide To Highpurity Oscillators PDF?** Most PDF editing software allows you to add password protection. In Adobe Acrobat, for instance, you can go to "File" -> "Properties" -> "Security" to set a password to restrict access or editing capabilities. Are there any free alternatives to Adobe Acrobat for working with PDFs? Yes, there are many free alternatives for working with PDFs, such as: LibreOffice: Offers PDF editing features. PDFsam: Allows splitting, merging, and editing PDFs. Foxit Reader: Provides basic PDF viewing and editing capabilities. How do I compress a PDF file? You can use online tools like Smallpdf, ILovePDF, or desktop software like Adobe Acrobat to compress PDF files without significant quality loss. Compression reduces the file size, making it easier to share and download. Can I fill out forms in a PDF file? Yes, most PDF viewers/editors like Adobe Acrobat, Preview (on Mac), or various online tools allow you to fill out forms in PDF files by selecting text fields and entering information. Are there any restrictions when working with PDFs? Some PDFs might have restrictions set by their creator, such as password protection, editing restrictions, or print restrictions. Breaking these restrictions might require specific software or tools, which may or may not be legal depending on the circumstances and local laws.

Find Designers Guide To Highpurity Oscillators :

daily inspiration for the purpose-driven® life scriptures and reflections from the 40 days of purpose

[cuthbertsons allinone bike repair manual](#)

daedalus fall 1969

cyberpolitics citizen activism in the age of the internet

[daily bible ncv experience the bible every day of the year 6510](#)

~~daen et autres nouvelles de terreur~~

cytogenetics of the black rat

daily faith affirmations for such a time as this

[d. d. home the man who talked with ghosts](#)

[cy twombly catalogue raisonne of the paintings volume iii 19661971](#)

~~dafendez votre prix dans la vente~~

[daily notetaking guide workbook mathematics course 1 student edition...](#)

[daily language workouts level 9](#)

cyberregs a business guide to web property privacy and patents

daily oral language grade 6 great source dailies

Designers Guide To Highpurity Oscillators :

the scent of death the chillingly atmospheric new copy - Jul 22 2022

web oct 10 2013 3 5 stars my review for usa today the scent of death by andrew taylor harpercollins 480 pp bad historical novelists almost always give themselves away

the scent of death the chillingly atmospheric new david - Feb 26 2023

web the scent of death the chillingly atmospheric new david hunter thriller by beckett simon at abebooks co uk isbn 10 059306349x isbn 13 9780593063491 bantam

the scent of death the chillingly atmospheric new david - Jan 28 2023

web buy the scent of death the chillingly atmospheric new david hunter thriller by beckett simon online on amazon ae at best prices fast and free shipping free returns cash on

the scent of death the chillingly atmospheric new david hunter - Aug 03 2023

web find helpful customer reviews and review ratings for the scent of death the chillingly atmospheric new david hunter

thriller at amazon com read honest and unbiased

[the scent of death the chillingly atmospheric new](#) - Sep 04 2023

web audiobook 0 00 free with your audible trial masterful storytelling and macabre forensic details make his novels utterly chilling reads tess gerritsen once a busy hospital

[scent death chillingly atmospheric by beckett simon abebooks](#) - Sep 23 2022

web the scent of death the chillingly atmospheric new dr wolf the fae rift series book 4 dragon s bayne jul 08 2022 rumors of a dragon have rattled edge city along with

the scent of death the chillingly atmospheric new david hunter - Apr 30 2023

web buy the scent of death the chillingly atmospheric new david hunter thriller by simon beckett online at alibris we have new and used copies available all editions of the

the scent of death simon beckett 9780553824124 - Oct 25 2022

web the scent of death the chillingly atmospheric new david hunter thriller harry treadaway is dr david hunter the darkly compelling new tv series â the chemistry of

the scent of death the chillingly atmospheric new david hunter - Dec 27 2022

web scent of death the the chillingly atmospheric new david hunter thriller simon beckett format paperback softback publisher transworld publishers ltd published 3rd oct

amazon sg customer reviews the scent of death the chillingly - Jul 02 2023

web apr 18 2019 buy the scent of death the chillingly atmospheric new david hunter thriller by beckett simon from amazon s fiction books store everyday low prices on a

scent of death the the chillingly atmospheric new david hunter - Nov 25 2022

web the scent of death by simon beckett 9780553824124 buy new second hand used books online with free uk delivery at awesomebooks com 30 days refund guarantee

the scent of death by andrew taylor review the guardian - May 20 2022

web the scent of death the chillingly atmospheric new david hunter thriller harry treadaway is dr david hunter the darkly compelling new tv series the chemistry of

[the scent of death the chillingly atmospheric new david hunter](#) - Mar 30 2023

web the scent of death the chillingly atmospheric new david hunter thriller by beckett simon at abebooks co uk isbn 10 178763079x isbn 13 9781787630796 bantam

the scent of death the chillingly atmospheric new david hunter - Jun 01 2023

web the scent of death the chillingly atmospheric new david hunter thriller by simon beckett 1 customer review masterful

storytelling and macabre forensic details make his

the scent of death by andrew taylor goodreads - Jun 20 2022

web mar 8 2013 new york is blockaded by the french fleet with the rebels lying in wait just across the river on the very morning he lands savill encounters two corpses a body

the scent of death the chillingly atmospheric new david hunter - Apr 18 2022

download solutions the scent of death the chillingly - Aug 23 2022

web jun 26 2023 the scent of death the chillingly atmospheric new 1 7 downloaded from uniport edu ng on june 26 2023 by guest the scent of death the chillingly

the scent of death the chillingly atmospheric new david hunter - Oct 05 2023

web the scent of death the chillingly atmospheric new david hunter thriller beckett simon amazon sg books

buddenbrooks verfall einer familie german edition - Oct 22 2023

web mar 16 2011 eine sehr empfehlenswerter roman der die geschichte des landes parallel zur familiengeschichte reflektiert die langsame unaufhaltsame auflösung des alten

buddenbrooks verfall einer familie german edition mann - Nov 11 2022

web hello sign in account lists returns orders cart

buddenbrooks verfall einer familie by thomas mann open - Nov 30 2021

web budenbrooks verfall einer familie by thomas mann 1928 fischer edition in german deutsch it looks like you re offline donate Čeština cs deutsch de english en

buddenbrooks verfall einer familie moderne klassiker berlin - Feb 02 2022

web budenbrooks verfall einer familie moderne klassiker berlin german edition amazon com au books

buddenbrooks verfall einer familie worldcat org - Jun 06 2022

web budenbrooks verfall einer familie author thomas mann summary portrays the downfall of a wealthy mercantile family of lu beck a portrait of the german bourgeois

buddenbrooks verfall einer familie fischer klassik german - Jan 13 2023

web dec 1 2009 buy budenbrooks verfall einer familie fischer klassik german edition read kindle store reviews amazon com *buddenbrooks verfall einer familie german edition kindle edition* - Apr 04 2022

web jan 14 2022 budenbrooks verfall einer familie german edition kindle edition by mann thomas download it once and read it on your kindle device pc phones or

buddenbrooks verfall einer familie german edition kindle edition - Jan 01 2022

web [buddenbrooks verfall einer familie german edition ebook mann 1875 1955 thomas amazon com au kindle store](#)

buddenbrooks verfall einer familie classics to go german - Feb 14 2023

web [buddenbrooks verfall einer familie classics to go german edition ebook mann thomas amazon com au kindle store](#)

[buddenbrooks wikipedia](#) - Aug 08 2022

web [buddenbrooks german 'budn ,bʁo:ks is a 1901 novel by thomas mann chronicling the decline of a wealthy north german merchant family over the course of four](#)

buddenbrooks verfall einer familie fischer klassik - Mar 15 2023

web [buddenbrooks verfall einer familie fischer klassik german edition 1st edition kindle edition german edition by thomas mann author format kindle edition 4 4](#)

buddenbrooks verfall einer familie mann thomas 1875 1955 - Jul 19 2023

web [buddenbrooks verfall einer familie mann thomas 1875 1955 free download borrow and streaming internet archive](#)

buddenbrooks verfall einer familie roman german edition - Aug 20 2023

web jan 1 1991 [amazon com buddenbrooks verfall einer familie roman german edition 9783596294312 books](#)

[buddenbrooks verfall einer familie german edition kindle edition](#) - Mar 03 2022

web [buddenbrooks verfall einer familie german edition ebook mann thomas amazon com au kindle store](#)

buddenbrooks verfall einer familie classics to go german - May 05 2022

web dec 1 2021 [buy buddenbrooks verfall einer familie classics to go german edition read kindle store reviews amazon com](#)

buddenbrooks verfall einer familie by thomas mann open - Sep 09 2022

web [buddenbrooks verfall einer familie by thomas mann january 2002 s fischer edition hardcover](#)

[buddenbrooks verfall einer familie german edition softcover](#) - Jun 18 2023

web [buddenbrooks verfall einer familie german edition softcover mann thomas 4 19 avg rating 28 938 ratings by goodreads softcover isbn 10 1512037192 isbn 13](#)

buddenbrooks verfall einer familie by thomas mann - Dec 12 2022

web jan 1 2011 [project gutenber 72 055 free ebooks 15 by thomas mann buddenbrooks verfall einer familie by thomas mann read now or download free similar books](#)

buddenbrooks verfall einer familie roman german edition - Apr 16 2023

web [abebooks com buddenbrooks verfall einer familie roman german edition 9783596294312 and a great selection of similar new used and collectible books](#)

buddenbrooks verfall einer familie german edition - Jul 07 2022

web [as mann charts the buddenbrooks decline from prosperity to bankruptcy from moral and psychic soundness to sickly](#)

piety artistic decadence and madness he ushers the

amazon com customer reviews buddenbrooks verfall einer - Oct 10 2022

web find helpful customer reviews and review ratings for buddenbrooks verfall einer familie german edition at amazon com read honest and unbiased product reviews from our

buddenbrooks verfall einer familie classics to go german - May 17 2023

web buddenbrooks verfall einer familie classics to go german edition ebook mann thomas amazon co uk kindle store

buddenbrooks verfall einer familie german edition - Sep 21 2023

web read 1 769 reviews from the world s largest community for readers buddenbrooks first published in germany in 1901 when mann was only twenty six has bec

il digiuno per tutti basta un giorno alla settimana per un corpo - Jan 22 2023

web il digiuno per tutti basta un giorno alla settimana per un corpo sano e una mente lucida è un ebook di erzegovesi stefano pubblicato da vallardi a nella collana vallardi benessere a 4 99 il file è in formato epub2 con adobe drm risparmia online con le

il digiuno per tutti basta un giorno alla settimana per un corpo - May 14 2022

web il digiuno per tutti basta un giorno alla settimana per un corpo sano e una mente lucida erzegovesi stefano isbn 9788869878558 kostenloser versand für alle bücher mit versand und verkauf duch amazon

il digiuno per tutti basta un giorno alla settimana per un corpo - Apr 25 2023

web il digiuno per tutti basta un giorno alla settimana per un corpo sano e una mente lucida nuova ediz erzegovesi stefano amazon it libri

il digiuno per tutti basta un giorno alla settimana per un corpo - Jul 16 2022

web il digiuno per tutti basta un giorno alla settimana per un corpo sano e una mente lucida è un ebook di erzegovesi stefano pubblicato da vallardi a nella collana vallardi benessere a 9 99 il file è in formato epub2 con adobe drm risparmia online con le

il digiuno per tutti basta un giorno alla settimana per un corpo - Jun 15 2022

web basta un giorno alla settimana per un corpo sano e una mente lucida il digiuno per tutti stefano erzegovesi vallardi des milliers de livres avec la livraison chez vous en 1 jour ou en magasin avec 5 de réduction

il digiuno per tutti basta un giorno alla settimana per un corpo - Jun 27 2023

web basta un giorno a settimana tanti libri si limitano a dire che il digiuno fa bene questo libro ci insegna come farlo davvero lo psichiatra e nutrizionista stefano erzegovesi ha messo a punto il sistema definitivo semplice ed efficace per

il digiuno per tutti basta un giorno alla settimana per un corpo - Dec 21 2022

web il digiuno per tutti basta un giorno alla settimana per un corpo sano e una mente lucida è un libro di stefano erzegovesi pubblicato da vallardi a acquista su lafeltrinelli a 14 90

il digiuno per tutti basta un giorno alla settimana per un corpo - Aug 29 2023

web il digiuno per tutti basta un giorno alla settimana per un corpo sano e una mente lucida erzegovesi stefano amazon com tr

recensioni il digiuno per tutti basta un giorno alla settimana per un - Sep 18 2022

web il digiuno per tutti basta un giorno alla settimana per un corpo sano e una mente lucida nuova ediz è un libro di stefano erzegovesi pubblicato da vallardi a leggi le recensioni degli utenti e acquistalo online su ibs

il digiuno per tutti basta un giorno alla settimana per un corpo - May 26 2023

web erzegovesi con molta generosità spiega anche come fare in casa il kefir o le verdurine fermentate probiotici come organizzare il digiuno e quali alimenti prediligere prebiotici quali ricette funzionano bene per il giorno di magro e molto altro

il digiuno per tutti basta un giorno alla settimana per un - Apr 13 2022

web download and install the il digiuno per tutti basta un giorno alla settimana it is completely easy then since currently we extend the colleague to buy and create bargains to download and install il digiuno per tutti basta un giorno alla settimana therefore simple catechismo cattolico dogmatico morale per la pratica della dottrina cristiana

il digiuno per tutti basta un giorno alla settimana per un corpo - Jan 10 2022

web jan 17 2019 il digiuno per tutti basta un giorno alla settimana per un corpo sano e una mente lucida italian edition kindle edition by erzegovesi stefano download it once and read it on your kindle device pc phones or tablets

il digiuno per tutti basta un giorno alla settimana per un corpo - Nov 20 2022

web il digiuno per tutti basta un giorno alla settimana per un corpo sano e una mente lucida nuova ediz erzegovesi stefano amazon de bücher angebote stöbern taschenbücher fachbücher schulbücher kinderbücher hörbücher neu 21 88 preisangaben inkl ust abhängig von der lieferadresse kann die ust an der kasse variieren weitere

il digiuno per tutti basta un giorno alla settimana per un corpo - Mar 12 2022

web jun 15 2023 giorno alla settimana per il il digiuno per tutti basta un giorno alla settimana il digiuno fa bene e non lo dicono solo le religioni i benefici del digiuno scienzaeconsoscenza it il digiuno per tutti basta un giorno alla settimana per il digiuno di un giorno scuola yoga contemporaneo download il digiuno per tutti basta un

il digiuno per tutti basta un giorno alla settimana per un corpo - Mar 24 2023

web jan 17 2019 il digiuno per tutti basta un giorno alla settimana per un corpo sano e una mente lucida stefano erzegovesi pubblicato da vallardi a dai un voto prezzo online 14 15 5 14 90 disponibile in 5 6 giorni la disponibilità è espressa in giorni lavorativi e fa riferimento ad un singolo pezzo 28 punti carta payback formati disponibili libro

il digiuno per tutti basta un giorno alla settimana per un corpo - Feb 11 2022

web lo psichiatra e nutrizionista stefano erzegovesi ha messo a punto il sistema definitivo semplice ed efficace per spegnere la fame e accendere la mente non si tratta di una dieta ma di un vero e proprio metodo basato su un giorno di digiuno o meglio di magro alla settimana il digiuno è la pratica più all'avanguardia nel campo

libro il digiuno per tutti basta un giorno alla settimana per un - Aug 17 2022

web acquista il libro il digiuno per tutti basta un giorno alla settimana per un corpo sano e una mente lucida di stefano erzegovesi in offerta lo trovi online a prezzi scontati su la feltrinelli

il digiuno per tutti basta un giorno alla settimana per un corpo - Oct 19 2022

web acquista il digiuno per tutti basta un giorno alla settimana per un corpo sano e una mente lucida su libreria universitaria spedizione gratuita sopra i 25 euro su libreria universitaria

il digiuno per tutti basta un giorno alla settimana per un corpo - Jul 28 2023

web lo psichiatra e nutrizionista stefano erzegovesi ha messo a punto un sistema semplice ed efficace per spegnere la fame e accendere la mente non si tratta di una dieta ma di un vero e proprio metodo basato su un giorno di digiuno o meglio di magro alla settimana

il digiuno per tutti basta un giorno alla settimana per un corpo - Feb 23 2023

web il digiuno per tutti basta un giorno alla settimana per un corpo sano e una mente lucida ebook written by stefano erzegovesi read this book using google play books app on your pc android ios devices