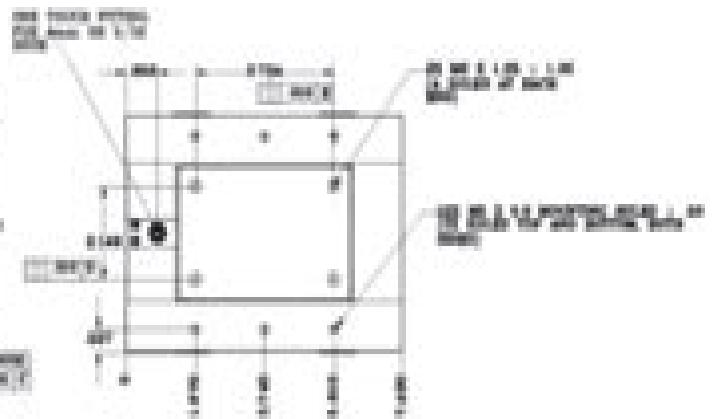
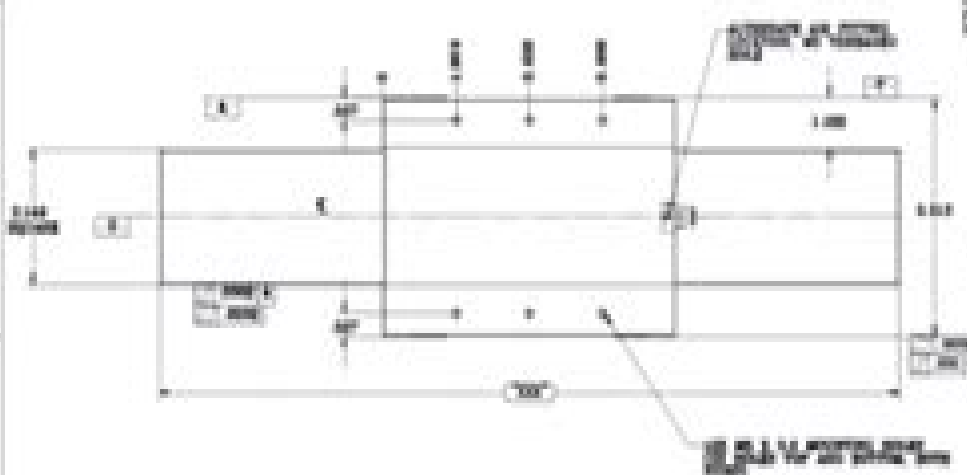
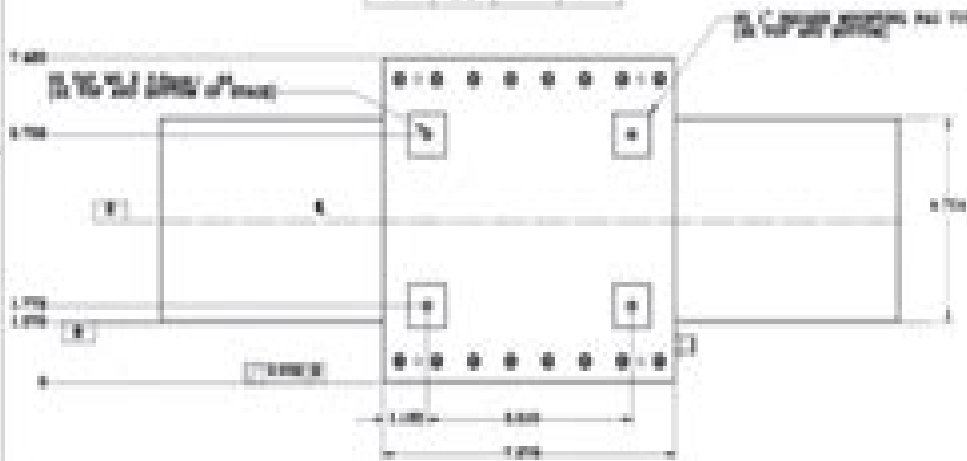
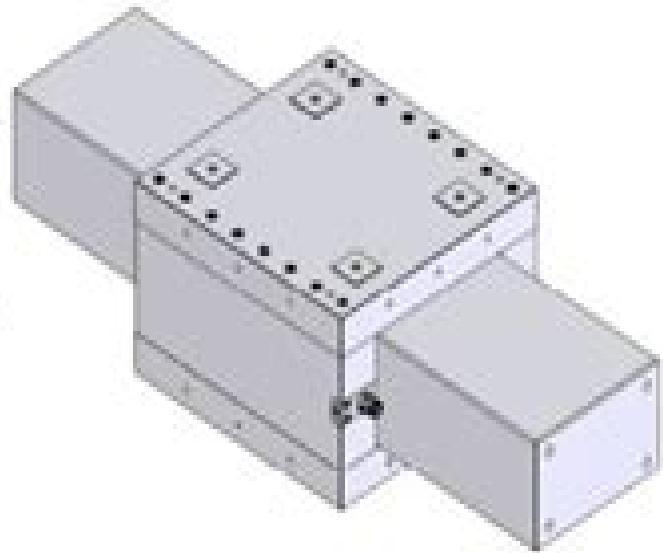


| ITEM | QTY | DESCRIPTION | UNIT |
|------|-----|-------------|------|
| 1 | 1 | PLATE | PCB |
| 2 | 1 | PLATE | PCB |
| 3 | 1 | PLATE | PCB |
| 4 | 1 | PLATE | PCB |



- NOTES:
1. DIMENSIONS ARE IN MILLIMETERS UNLESS OTHERWISE SPECIFIED
 2. DIMENSIONS ARE TO THE CENTER OF THE HOLE UNLESS OTHERWISE SPECIFIED
 3. DIMENSIONS OF ALL HOLES APPLY TO ALL SIZES

NEW ORIENTAL ELECTRONICS

1000 W. 10th Street, Suite 100, Los Angeles, CA 90015

TEL: (213) 480-1000 FAX: (213) 480-1001

WWW: WWW.NOE.COM

DATE: 10/10/00

REV: 1.0

1

Design Fabrication Of A Surface Microm

WJ Hussar



Design Fabrication Of A Surface Microm:

Design, Fabrication and Characterization of High-stroke High-aspect Ratio Micro Electro Mechanical Systems Deformable Mirrors for Adaptive Optics Bautista Fernández Rocha,2011 Strategic Innovation For Micro Mechatronics/Nachiket Prakashan Dr. Bharatbhushan Joshi,2017-01-30 Micro Electro Mechanical System technology is invading in all the applications such as automobile medical consumer products and weapon systems Design of a sensor based on MEMS technology involves complex large number of steps and many variables This book gives insight on predictive design technique for sensor design The book also discusses two innovative techniques for optimizing performance of micro acceleration sensor This book will be useful to learners of course on MEMS **Bioinspired superwetable materials from design, fabrication to application** Jingxin Meng,Hongliang Liu,Jun-Bing Fan,Pengchao Zhang,Tailin Xu,Feilong Zhang,2023-05-25 **Handbook on Advanced Design and Manufacturing Technologies for Biomedical Devices** Andrés Díaz Lantada,2014-07-08 The last decades have seen remarkable advances in computer aided design engineering and manufacturing technologies multi variable simulation tools medical imaging biomimetic design rapid prototyping micro and nanomanufacturing methods and information management resources all of which provide new horizons for the Biomedical Engineering fields and the Medical Device Industry Advanced Design and Manufacturing Technologies for Biomedical Devices covers such topics in depth with an applied perspective and providing several case studies that help to analyze and understand the key factors of the different stages linked to the development of a novel biomedical device from the conceptual and design steps to the prototyping and industrialization phases Main research challenges and future potentials are also discussed taking into account relevant social demands and a growing market already exceeding billions of dollars In time advanced biomedical devices will decisively change methods and results in the medical world dramatically improving diagnoses and therapies for all kinds of pathologies But if these biodevices are to fulfill present expectations today s engineers need a thorough grounding in related simulation design and manufacturing technologies and collaboration between experts of different areas has to be promoted as is also analyzed within this handbook Thermal Design, Fabrication, and Imaging of MEMS and Microelectronic Structures Ohmyoung Kwon,2000 Design, Fabrication, and Characterization of Microfabricated Preconcentrator-focuser for Micro Gas Chromatography Wei-Cheng Tian,2003 MEMS Design, Fabrication, Characterization, and Packaging Uwe F. W. Behringer,Deepak Uttamchandani,2001 Proceedings of the ASME Heat Transfer Division ,2005 **Nanotechnology** Gregory L. Timp,2012-12-06

Miniaturization has revolutionized human affairs by making possible inexpensive integrated electronic circuits comprised of devices and wires with sub micrometer dimensions These integrated circuits are now ubiquitous controlling everything from our automobiles to our toasters Continued miniaturization beyond sub micrometer dimensions seems likely And so we are compelled to explore science and technology on a new yet smaller scale the nanometer scale This volume is a survey of the

machinery and science of the nanometer scale Its twenty two contributing authors drawn from many different disciplines including atomic physics microelectronics polymer chemistry and bio physics delineate the course of current research and articulate a vision for the development of the nanometer frontiers in electronics mechanics chemistry magnetics materials and biology They reveal a world thirty years hence where motors are smaller than the diameter of a human hair where single celled organisms are programmed to fabricate materials with nanometer precision where single atoms are used for computation and where quantum chaos is the norm Aimed at the level of comprehension of at least a junior or senior level undergraduate science biology chemistry physics or engineering student the book provides a survey of developments within the breadth of the nanotechnology field The book is thus intended for both students and researchers in tunneling microscopy polymer chemistry bio physics atomic physics electrical engineering mechanical engineering materials science condensed matter physics biology lithography and chaos Mathematical derivations have been minimized but not eliminated The book contains many illustrations some in color

Proceedings of the ASME Heat Transfer Division--2005 ,2005

Fundamentals of Microfabrication Marc J. Madou,2018-10-08 MEMS technology and applications have grown at a tremendous pace while structural dimensions have grown smaller and smaller reaching down even to the molecular level With this movement have come new types of applications and rapid advances in the technologies and techniques needed to fabricate the increasingly miniature devices that are literally changing our world A bestseller in its first edition Fundamentals of Microfabrication Second Edition reflects the many developments in methods materials and applications that have emerged recently Renowned author Marc Madou has added exercise sets to each chapter thus answering the need for a textbook in this field Fundamentals of Microfabrication Second Edition offers unique in depth coverage of the science of miniaturization its methods and materials From the fundamentals of lithography through bonding and packaging to quantum structures and molecular engineering it provides the background tools and directions you need to confidently choose fabrication methods and materials for a particular miniaturization problem New in the Second Edition Revised chapters that reflect the many recent advances in the field Updated and enhanced discussions of topics including DNA arrays microfluidics micromolding techniques and nanotechnology In depth coverage of bio MEMs RF MEMs high temperature and optical MEMs Many more links to the Web Problem sets in each chapter

Frontiers of Manufacturing and Design Science Ran Chen,2010-12-06
Selected peer reviewed papers from the 2010 International Conference on Frontiers of Manufacturing and Design Science ICFMD 2010 Chongqing China December 11 12 2010

National Laser Symposium,Proceedings December 22-24,2003 ,

LED Packaging for Lighting Applications Shen Liu,Xiaobing Luo,2011-07-05 Since the first light emitting diode LED was invented by Holonyak and Bevacqua in 1962 LEDs have made remarkable progress in the past few decades with the rapid development of epitaxy growth chip design and manufacture packaging structure processes and packaging materials LEDs have superior characteristics such as high efficiency small size long life low power consumption and high reliability The

market for white LED is growing rapidly in various applications It has been widely accepted that white LEDs will be the fourth illumination source to substitute the incandescent fluorescent and high pressure sodium lamps With the development of LED chip and packaging technologies the efficiency of high power white LED will broaden the application markets of LEDs while changing the lighting concepts of our lives In LED Packaging for Lighting Applications Professors Liu and Luo cover the full spectrum of design manufacturing and testing Many concepts are proposed for the first time and readers will benefit from the concurrent engineering and co design approaches to advanced engineering design of LED products One of the only books to cover LEDs from package design to manufacturing to testing Focuses on the design of LED packaging and its applications such as road lights Includes design methods and experiences necessary for LED engineers especially optical and thermal design Introduces novel LED packaging structures and manufacturing processes such as ASLP Covers reliability considerations the most challenging problem for the LED industry Provides measurement and testing standards which are critical for LED development for both LED and LED fixtures Codes and demonstrations available from the book s Companion Website This book is ideal for practicing engineers working in design or packaging at LED companies and graduate students preparing for work in industry This book also provides a helpful introduction for advanced undergraduates graduates researchers lighting designers and product managers interested in the fundamentals of LED design and production Color version of selected figures can be found at www.wiley.com/go/liu_led Manufacturing Science and Technology, ICMST2011 Wu Fan,2011-11-22 Selected peer reviewed papers from the 2011 International Conference on Manufacturing Science and Technology ICMST 2011 September 16 18 2011 Singapore Advanced Manufacturing and Information Engineering, Intelligent Instrumentation and Industry Development J.Z. Ma,Fang Shao,L.P. Hu,J. Liu,D.M. Chen,2014-08-11 Selected peer reviewed papers from the 2014 2nd International Conference on Precision Mechanical Instruments and Measurement Technology ICPMIMT 2014 May 30 31 2014 Chongqing China **Engineering** ,1912 **Lithographic and Micromachining Techniques for Optical Component Fabrication** ,2003 *Railway Locomotives and Cars* ,1923 *Transactions of JWRI*. □□□□. □□□□□□□□,2013

As recognized, adventure as capably as experience very nearly lesson, amusement, as without difficulty as pact can be gotten by just checking out a books **Design Fabrication Of A Surface Microm** then it is not directly done, you could endure even more going on for this life, going on for the world.

We provide you this proper as skillfully as simple pretension to get those all. We provide Design Fabrication Of A Surface Microm and numerous ebook collections from fictions to scientific research in any way. accompanied by them is this Design Fabrication Of A Surface Microm that can be your partner.

https://gandalf.roeckerfam.com/book/uploaded-files/Download_PDFS/An_Analysis_Of_Human_Sexual_Inadequacy.pdf

Table of Contents Design Fabrication Of A Surface Microm

1. Understanding the eBook Design Fabrication Of A Surface Microm
 - The Rise of Digital Reading Design Fabrication Of A Surface Microm
 - Advantages of eBooks Over Traditional Books
2. Identifying Design Fabrication Of A Surface Microm
 - Exploring Different Genres
 - Considering Fiction vs. Non-Fiction
 - Determining Your Reading Goals
3. Choosing the Right eBook Platform
 - Popular eBook Platforms
 - Features to Look for in an Design Fabrication Of A Surface Microm
 - User-Friendly Interface
4. Exploring eBook Recommendations from Design Fabrication Of A Surface Microm
 - Personalized Recommendations
 - Design Fabrication Of A Surface Microm User Reviews and Ratings
 - Design Fabrication Of A Surface Microm and Bestseller Lists
5. Accessing Design Fabrication Of A Surface Microm Free and Paid eBooks

- Design Fabrication Of A Surface Microm Public Domain eBooks
 - Design Fabrication Of A Surface Microm eBook Subscription Services
 - Design Fabrication Of A Surface Microm Budget-Friendly Options
6. Navigating Design Fabrication Of A Surface Microm eBook Formats
- ePub, PDF, MOBI, and More
 - Design Fabrication Of A Surface Microm Compatibility with Devices
 - Design Fabrication Of A Surface Microm Enhanced eBook Features
7. Enhancing Your Reading Experience
- Adjustable Fonts and Text Sizes of Design Fabrication Of A Surface Microm
 - Highlighting and Note-Taking Design Fabrication Of A Surface Microm
 - Interactive Elements Design Fabrication Of A Surface Microm
8. Staying Engaged with Design Fabrication Of A Surface Microm
- Joining Online Reading Communities
 - Participating in Virtual Book Clubs
 - Following Authors and Publishers Design Fabrication Of A Surface Microm
9. Balancing eBooks and Physical Books Design Fabrication Of A Surface Microm
- Benefits of a Digital Library
 - Creating a Diverse Reading Collection Design Fabrication Of A Surface Microm
10. Overcoming Reading Challenges
- Dealing with Digital Eye Strain
 - Minimizing Distractions
 - Managing Screen Time
11. Cultivating a Reading Routine Design Fabrication Of A Surface Microm
- Setting Reading Goals Design Fabrication Of A Surface Microm
 - Carving Out Dedicated Reading Time
12. Sourcing Reliable Information of Design Fabrication Of A Surface Microm
- Fact-Checking eBook Content of Design Fabrication Of A Surface Microm
 - Distinguishing Credible Sources
13. Promoting Lifelong Learning
- Utilizing eBooks for Skill Development

- Exploring Educational eBooks
14. Embracing eBook Trends
- Integration of Multimedia Elements
 - Interactive and Gamified eBooks

Design Fabrication Of A Surface Microm Introduction

In this digital age, the convenience of accessing information at our fingertips has become a necessity. Whether its research papers, eBooks, or user manuals, PDF files have become the preferred format for sharing and reading documents. However, the cost associated with purchasing PDF files can sometimes be a barrier for many individuals and organizations. Thankfully, there are numerous websites and platforms that allow users to download free PDF files legally. In this article, we will explore some of the best platforms to download free PDFs. One of the most popular platforms to download free PDF files is Project Gutenberg. This online library offers over 60,000 free eBooks that are in the public domain. From classic literature to historical documents, Project Gutenberg provides a wide range of PDF files that can be downloaded and enjoyed on various devices. The website is user-friendly and allows users to search for specific titles or browse through different categories. Another reliable platform for downloading Design Fabrication Of A Surface Microm free PDF files is Open Library. With its vast collection of over 1 million eBooks, Open Library has something for every reader. The website offers a seamless experience by providing options to borrow or download PDF files. Users simply need to create a free account to access this treasure trove of knowledge. Open Library also allows users to contribute by uploading and sharing their own PDF files, making it a collaborative platform for book enthusiasts. For those interested in academic resources, there are websites dedicated to providing free PDFs of research papers and scientific articles. One such website is Academia.edu, which allows researchers and scholars to share their work with a global audience. Users can download PDF files of research papers, theses, and dissertations covering a wide range of subjects. Academia.edu also provides a platform for discussions and networking within the academic community. When it comes to downloading Design Fabrication Of A Surface Microm free PDF files of magazines, brochures, and catalogs, Issuu is a popular choice. This digital publishing platform hosts a vast collection of publications from around the world. Users can search for specific titles or explore various categories and genres. Issuu offers a seamless reading experience with its user-friendly interface and allows users to download PDF files for offline reading. Apart from dedicated platforms, search engines also play a crucial role in finding free PDF files. Google, for instance, has an advanced search feature that allows users to filter results by file type. By specifying the file type as "PDF," users can find websites that offer free PDF downloads on a specific topic. While downloading Design Fabrication Of A Surface Microm free PDF files is convenient, its important to note that copyright laws must be respected. Always ensure that

the PDF files you download are legally available for free. Many authors and publishers voluntarily provide free PDF versions of their work, but it's essential to be cautious and verify the authenticity of the source before downloading Design Fabrication Of A Surface Microm. In conclusion, the internet offers numerous platforms and websites that allow users to download free PDF files legally. Whether it's classic literature, research papers, or magazines, there is something for everyone. The platforms mentioned in this article, such as Project Gutenberg, Open Library, Academia.edu, and Issuu, provide access to a vast collection of PDF files. However, users should always be cautious and verify the legality of the source before downloading Design Fabrication Of A Surface Microm any PDF files. With these platforms, the world of PDF downloads is just a click away.

FAQs About Design Fabrication Of A Surface Microm Books

1. Where can I buy Design Fabrication Of A Surface Microm books? Bookstores: Physical bookstores like Barnes & Noble, Waterstones, and independent local stores. Online Retailers: Amazon, Book Depository, and various online bookstores offer a wide range of books in physical and digital formats.
2. What are the different book formats available? Hardcover: Sturdy and durable, usually more expensive. Paperback: Cheaper, lighter, and more portable than hardcovers. E-books: Digital books available for e-readers like Kindle or software like Apple Books, Kindle, and Google Play Books.
3. How do I choose a Design Fabrication Of A Surface Microm book to read? Genres: Consider the genre you enjoy (fiction, non-fiction, mystery, sci-fi, etc.). Recommendations: Ask friends, join book clubs, or explore online reviews and recommendations. Author: If you like a particular author, you might enjoy more of their work.
4. How do I take care of Design Fabrication Of A Surface Microm books? Storage: Keep them away from direct sunlight and in a dry environment. Handling: Avoid folding pages, use bookmarks, and handle them with clean hands. Cleaning: Gently dust the covers and pages occasionally.
5. Can I borrow books without buying them? Public Libraries: Local libraries offer a wide range of books for borrowing. Book Swaps: Community book exchanges or online platforms where people exchange books.
6. How can I track my reading progress or manage my book collection? Book Tracking Apps: Goodreads, LibraryThing, and Book Catalogue are popular apps for tracking your reading progress and managing book collections. Spreadsheets: You can create your own spreadsheet to track books read, ratings, and other details.
7. What are Design Fabrication Of A Surface Microm audiobooks, and where can I find them? Audiobooks: Audio

- recordings of books, perfect for listening while commuting or multitasking. Platforms: Audible, LibriVox, and Google Play Books offer a wide selection of audiobooks.
8. How do I support authors or the book industry? Buy Books: Purchase books from authors or independent bookstores. Reviews: Leave reviews on platforms like Goodreads or Amazon. Promotion: Share your favorite books on social media or recommend them to friends.
 9. Are there book clubs or reading communities I can join? Local Clubs: Check for local book clubs in libraries or community centers. Online Communities: Platforms like Goodreads have virtual book clubs and discussion groups.
 10. Can I read Design Fabrication Of A Surface Microm books for free? Public Domain Books: Many classic books are available for free as they're in the public domain. Free E-books: Some websites offer free e-books legally, like Project Gutenberg or Open Library.

Find Design Fabrication Of A Surface Microm :

an analysis of human sexual inadequacy

amor en los tiempos del colera el

an atlas of embryology heinemann educational bks.

an equal music.

an american heritage guide historic houses of america

amerikanische wechselbader beobachtungen und kommentare aus vier jahrzehnten

amish quilting discover the beautiful art of the amish quilt

an essay on ridicule

amistad a novel

an illustrated love canzoniere the delie of maurice sceve

an afghan encounter an american in afghanistan

an advanced laboratory manual of zoology

among my blessings g k hall nightingale series edition

amway the cult of free enterprise

an illustrated data guide to world war ii fighters illustrated data guides

Design Fabrication Of A Surface Microm :

vežbanje much many 5 razred learnlish - Nov 07 2022

web vežbanje much many 5 razred by zorana radović vežbanja vežbanja za 5 razred pročitaj ove rečenice i odredi koji odgovori su tačni izaberi jedan od ponuđena dva odgovora Želiš da naučiš engleski learnlish je onlajn program engleskog za decu uzrasta 10 16 godina

engleski jezik 5 e Škole - Sep 05 2022

web engleski jezik za 5 razred osnovne Škole autori anita Žepina alenka miljević maja laboš horvat nalazite se na stranici odabira razine učenja za engleski jezik odaberite razinu učenja za 5 razred osnove škole 2nd year of learning 5th year of learning impresum izjava o pristupačnosti

engleski jezik 5 r oŠ skolica net - Aug 16 2023

web ostale vježbe engleski jezik 5 razred mjeseci na engleskom engleski jezik 5 razred vježba u pdf formatu za ispis past simple negative 5 r past simple positive 5 r past simple regular verbs 5 r prepositions of time in on at 5 r comparative and superlative revision 5 r

5 razred engleski kroz igru - Dec 08 2022

web 5 razred dear students try making the affirmative negative and interrogative forms of the verbs in these exercises use the present simple tense these are the rules how to make wh questions and these are some examples for you to practise making them practise the plural of nouns through a game billionaire

test 5 razred pdf scribd - May 13 2023

web test 5 razred free download as word doc doc pdf file pdf text file txt or read online for free engleski

Тесты по английскому языку для 5 класса онлайн online test - Jul 03 2022

web У нас вы можете пройти все Тесты по английскому языку для 5 класса онлайн быстро и бесплатно Результат получите сразу Всегда ваш online test pad

revision part 1 engleski jezik 5 youtube - Mar 11 2023

web engleski jezik revision part 1 predavanje za 5 razred osnovne škole predavač marija davidović label and copyright rts

test engleski jezik 5 razred word order in questions - Jun 14 2023

web engleski jezik gramatika word order in questions ovde vam nudimo test iz gramatike engleski jezik word order in questions rešeni testovi će vam pomoći u razumevanju gradiva i izbegavanju uobičajenih grešaka kada je u pitanju gramatika

testovi za engleski jezik 5 razred ams istanbul edu - Oct 06 2022

web engleski jezik domaci za 5 razred have got has got ivana teaching predstavljamo vam radne listiće clever me za 5 razred osnovne škole 1 dio autorica ivane cetine jasminke jager i jelene vrkljan

[5 razred engleski jezik teaching resources wordwall](#) - Apr 12 2023

web 10000 results for 5 razred engleski jezik right on 1 subject personal pronouns group sort by floracic 5 razred engleski jezik months ordinal numbers sg match up by zbornicaks 5 razred engleski jezik habitats match up by marija5 5 razred engleski jezik was wasn t were or weren t quiz by alfaengleski 5 razred engleski jezik

Тесты по Английскому языку для 5 класса - Feb 27 2022

web 11 класс В данном каталоге представлены интерактивные компьютерные тесты по Английскому языку для 5 класса Любой тест который находится на нашем портале можно загрузить и использовать

osnovne škole informacije o osnovnim školama u srbiji - Feb 10 2023

web test 1 vocabulary 1 choose the odd one out 5 marks 1 german rome italian spanish 2 pharmacy supermarket park bookshop 3 bath shower toilet cooker 4 road quiet beautiful yummy 5 father nephew daughter uncle 2 complete the missing letters 5 marks 1 he is sitting in the armchair in the l room

[inicijalni test za peti razred engleski skolski kutak](#) - Jun 02 2022

web inicijalni test za peti razred 5 test prvo polugodište 5 the first written work 5 test drugo polugodište 5 the second written work testovi za šesti razred inicijalni test za šesti razred 6 test prvo polugodište 6 the first written work 6 test drugo polugodište 6 the second written work testovi za sedmi razred

5 sınıf İngilizce test Çöz testkolik yeni nesil sorular - Jul 15 2023

web testkolik te 5 sınıf İngilizce için online testler ve cevapları var Üstelik soruların tamamı kazanım odaklı ve yeni nesil sorulardan oluşmaktadır testlerde boşluk doldurma çoktan seçmeli doğru yanlış ve eşleştirme gibi farklı soru tipleri de bulunmaktadır sisteme kayıtlı 5 sınıf İngilizce dersi

Тест по английскому языку 5 класс - Jan 29 2022

web Лексико грамматический тест по английскому языку 5 класс предназначен для определения уровня знаний английского языка учащихся 5 го класса построен на основе изученного грамматического и лексического материала за

vežbanja za 5 razred archives learnlish - Aug 04 2022

web Želiš da naučiš engleski learnlish je onlajn program engleskog za decu uzrasta 10 16 vežbanje nepravilni glagoli 5 razred u ovom vežbanju naučićeš nepravilne glagole

[vežbanje nepravilni glagoli 5 razred learnlish](#) - May 01 2022

web by zorana radović vežbanja vežbanja za 5 razred u ovom vežbanju naučićeš nepravilne glagole na slici češ videti infinitiv oblik iz prve kolone nepravilnih glagola a tvoj zadatak je da u polje za odgovor upišeš oblik za prošlo

past simple regular verbs 5 r skolica net - Dec 28 2021

web past simple regular verbs 5 r engleski jezik 5 r oŠ ispunita prazna polja sa ispravnom riječi poštujući pravilo past simple pret sljedeće više

5 razred priprema unit1 test 1 pdf scribd - Jan 09 2023

web 5 razred priprema unit1 test 1 free download as word doc doc pdf file pdf text file txt or read online for free probni test za 5 razred

5 razred engleski kviz nastavna sredstva wordwall - Mar 31 2022

web 5 razred engleski kviz primeri iz naše zajednice 10000 rezultata za 5 razred engleski kviz mezopotamija pronađi reč autor nikola1911 5 razred history there is there are kviz autor floracic 5 razred engleski jezik vjeronauk 6 razred kviz autor itspepiibenvuk present simple questions kviz autor ured1

revue noire n 26 madagascar cd musique rn À tana - Feb 09 2023

web revue noire n 26 Écrire le premier avis 50 00 47 50 Économisez 5 madagascar focus art joël andrianomearisoa edouard rajoana efiambelo raveloson fidj max désiré rasolofoson danielson randrianomenjanahary panorama arts visuels

home revue noire - May 12 2023

web 08 11 2022 l esprit revue noire une collection fondatrice une exposition de 140 photographes présentée à l espace hakanto contemporary à antananarivo madagascar du 26 nov 2022 31 mars 2023

revue noire n 26 madagascar pdf download only - Oct 05 2022

web revue noire n 26 madagascar pdf 2023 web revue noire n 26 madagascar pdf it is utterly simple then previously currently we extend the join to buy and create bargains to download and install revue noire n 26 madagascar pdf appropriately simple journey through the history of african photography in web jan 15 2023 the revue

[l esprit revue noire une collection fondatrice](#) - Mar 10 2023

web nov 26 2022 l esprit revue noire une collection fondatrice jean loup pivin pascal martin saint leon curators hakanto contemporary antananarivo madagascar 26 nov 2022 31 march 2023 the photograph of a performance by joël andrianomearisoa made the issue 26 madagascar of revue noire in 1997 a whole symbol renewed in

revue noire n 26 madagascar pdf copy voto uncal edu - Aug 03 2022

web revue noire n 26 madagascar pdf this is likewise one of the factors by obtaining the soft documents of this revue noire n 26 madagascar pdf by online you might not require more get older to spend to go to the book instigation as capably as search for them

revue noire n 26 madagascar help environment harvard edu - Feb 26 2022

web may 8 2023 revue noire jean loup pivin 2020 un livre de pensées d attitudes et de souvenirs de ceux qui ont fondé revue noire en 1991 j l pivin s njami p martin saint leon b tilliette rejoints plus tard par n goné fall un livre qui raconte l

histoire d'une émergence artistique essentiel à la réflexion sur la création contemporaine

revue noire histoire histoires history stories - Sep 04 2022

web revue noire 21 kinshasa congo a song in the city j l pivin revue noire 22 afro brésilien lapa by night andré jolly revue
noire 24 djibouti ethiopia erythrea from your lips to the doors of heaven n goné fall revue noire 26 madagascar wake up we
are all dead Élie rajaonarison

revue noire n26 madagascar eur 9 66 picclick fr - Nov 06 2022

web revue noire n26 madagascar eur 9 66 achat immédiat eur 6 50 livraison 14 jour retours garantie client ebay vendeur
galinette0 5 4 622 95 1 lieu où se

revue noire n 26 madagascar by nur bcca - Apr 30 2022

web revue noire n 26 madagascar by is at hand in our book collection an online access to it is set as public so you can get it
instantly our virtual library hosts in numerous positions allowing you to fetch the most less latency

revue noire revuenoire twitter - Jan 08 2023

web mar 19 2013 esprit revue noire une collection fondatrice nous sommes fiers d'annoncer la prochaine exposition esprit
revue noire une collection fondatrice qui ouvrira le samedi 26 novembre 2022 à 14h00 un ensemble d'œuvres exceptionnelles
de la collection revue noire

revue noire n 26 madagascar pdf download only - Jul 02 2022

web a landmark text for revolutionaries and activists the wretched of the earth is an eternal touchstone for civil rights anti
colonialism psychiatric studies and black consciousness movements

revue noire 26 revue noire - Aug 15 2023

web madagascar portfolios art visuel joël andrianomearisoa edouard rajoana désiré rasolofoson danielson
randrianomenjanahary panorama des artistes de madagascar photographie razaka razolo ramilijaona anta ftm pierrot men
dany be ramily armand maksim seth

revue noire n 26 madagascar pdf trilhoscacao - Jun 01 2022

web revue noire n 26 madagascar pdf is available in our book collection an online access to it is set as public so you can
download it instantly our books collection hosts in multiple locations allowing you to get the most

revue noire - Dec 07 2022

web official web site of revue noire publisher of magazines books signed rare editions exhibitions e shop 08 11 2022 an
exhibition of 140 photographies exhibited in the space hakanto contemporary in antananarivo madagascar from

revue noire 26 cd madagascar revue noire - Jun 13 2023

web madagascar art focus andrianomearisoa rajoana efiambelo fidj max rasolofoson randrianomenjanahary visual art

panorama photo razaka rill razolo randria randrianasolo ramilijaona anta men dany be family

revue noire 26 cd madagascar - Apr 11 2023

web madagascar focus art joël andrianomearisoa edouard rajoana efiambelo raveloson fidj max désiré rasolofoson danielson randrianomenjanahary panorama arts visuels photo razaka rill razolo randria gervais randrianasolo ramilijaona anta pierrot men dany be family

revue noire 26 revue noire - Jul 14 2023

web revue noire 26 magazine music madagascar art portfolios joël andrianomearisoa edouard rajoana efiambelo raveloson fidj max désiré rasolofoson danielson randrianomenjanahary artists panorama photography razaka ramilijaona anta ftm pierrot men dany be family armand maksim seth

revue noire magazine wikipedia - Dec 27 2021

web revue noire was founded in 1991 by jean loup pivin pascal martin saint lóon bruno tilliette and simon njami their goal was to give high quality printed attention to contemporary african art it covered varying subjects from sculpture painting photography dance theatre music and literature there were issues on african cities aids and even

revue noire n 26 madagascar by groover sch bme hu - Mar 30 2022

web revue noire n 26 madagascar by fr revue noire n26 madagascar livres isahit posts facebook air france air france portal sites jean luc raharimanana rsultats pour caprin agritrop african energy classification of the derbidae planthoppers of north america go diego diego mission madagascar action film plet madagascar world

madagascar revue noire magazine revue noire magazine - Jan 28 2022

web feb 15 2022 meet our board watch a special open education week video from our board of directors sharing why open education is important celebrate by exploring 100 hours of recordings from opened21 and be sure to

prácticas del lenguaje ortografía santillana en casa - May 31 2022

web jan 11 2023 1 11 2023 2 grado la guía santillana cuaderno de trabajo introducción la guía santillana con actividades para aprender convivir y

guía santillana 2 grado descargar segundo primaria pdf - Apr 29 2022

web informaciÓn av primavera 2160 santiago de surco contactotiendaonline santillana com call center 01 313 4000 anexo 1 whatsapp

cuaderno de trabajo la guía santillana 2 grado primaria - Mar 29 2022

web las actividades de la guía santillana 2 estan diseñadas para que desarrolles habilidades y actitudes y adquieras conocimientos que refuercen tu formacion integral cada una

segundo grado actividades de repaso santillana en casa - Aug 14 2023

web actividades para repasar 1 grado 2 grado 3 grado 4 grado 5 grado 6 grado 7 grado biblioteca de videos biblioteca de actividades primer ciclo segundo ciclo

inicio santillana en casa - Oct 04 2022

web fichas de repaso en esta sección encontrará diversos materiales de trabajo para el estudiante agrupados por área y grados para facilitar su uso

2 matemáticas santillana - Jul 01 2022

web dec 6 2021 debes tener presente que no solo podrás tener acceso al libro completo el cual incluye los ejercicios y actividades propuestos sino también tendrás la

los matematicos de 2 guías santillana - Feb 08 2023

web sep 4 2018 la editorial santillana s a nos facilita con la disposición de la guía santillana 2 para segundo grado donde encontrar toda las actividades para aprender

2 ° primaria santillana - Apr 10 2023

web la edición anota para el profesor la guía santillana 2 contiene las siguientes sugerencias didácticas explica qué se hará quién de manera individual en parejas o en equipo

resuelve con santillana 2 primaria libro de actividades - Feb 25 2022

web déjate guiar y conoce todo lo que te ofrece santillana para cada nivel educativo y área de enseñanza o filtra en el buscador avanzado volver al listado 2º matemática 2º

biblioteca de actividades santillana en casa - Sep 03 2022

web el libro matemáticas para el 2 o curso de primaria es una obra colectiva concebida diseñada y creada en el departamento de ediciones educativas de santillana

guía santillana 2 material educativo y material didáctico - May 11 2023

web cuadernos que se dirigen a la práctica sistemática de la escritura y a la mejora de la legibilidad contienen ejercicios de copia de letras palabras oraciones y textos sobre

la guía santillana 2 para profesor pdf segundo grado - Mar 09 2023

web 2 matemática los matematicos de 2 enfoque didáctico enfoque didáctico pdf documento adobe acrobat 322 9 kb
descarga posible distribución de contenidos posible

proyectos de educación infantil santillana - Oct 24 2021

guía santillana 2 2022 2023 libreriaelpuente librería el puente - Jan 27 2022

web 2 sınıfa geçen öğrenciler için yaz tatili döneminde kullanılabilircek özgün etkinlikler hazırladık 10 hafta boyunca düzenli

olarak yayınlayacağımız etkinliklerin 1 haftasını

santillana - Dec 26 2021

web santillana ofrece diferentes propuestas y material didáctico para la educación infantil adaptados a las diferentes metodologías de trabajo proyectos educativos recursos

segundo grado página web de matemáticas santillana - Jun 12 2023

web guía santillana 2 judith cardona la guía santillana 2 primaria para profesores siempre ha sido un material educativo que ofrece información y actividades graficas y visuales

la guía santillana 2 mi escolita de apoyo - Jan 07 2023

web actividades para repasar 1 grado 2 grado 3 grado 4 grado 5 grado 6 grado 7 grado biblioteca de videos biblioteca de actividades primer ciclo segundo ciclo

actividades para repasar santillana en casa - Nov 05 2022

web actividades para repasar 1 grado 2 grado 3 grado 4 grado 5 grado 6 grado 7 grado biblioteca de videos biblioteca de actividades primer ciclo segundo ciclo

2 guías santillana - Sep 22 2021

2 sınıfa geçenler İçin tatil etkinlikleri hafta 1 - Nov 24 2021

web integrado prácticas del lenguaje matemática ciencias matemática ciencias sociales y naturales religión conocé otras propuestas en nuestra página web

descarga la guía santillana 2 grado en pdf biblioteca del - Dec 06 2022

web actividades para repasar 1 grado 2 grado 3 grado 4 grado 5 grado 6 grado 7 grado biblioteca de videos biblioteca de actividades primer ciclo segundo ciclo

fichas de repaso repaso santillana - Aug 02 2022

web actividades para repasar 1 grado 2 grado 3 grado 4 grado 5 grado 6 grado 7 grado biblioteca de videos biblioteca de actividades primer ciclo segundo ciclo

guía santillana 2 para el alumno segundo grado 2023 - Jul 13 2023

web segundo grado imprimibles batería de actividades para imprimir y fotocopiar organizadas según los ejes numeración operaciones medida geometría y espacio actividades