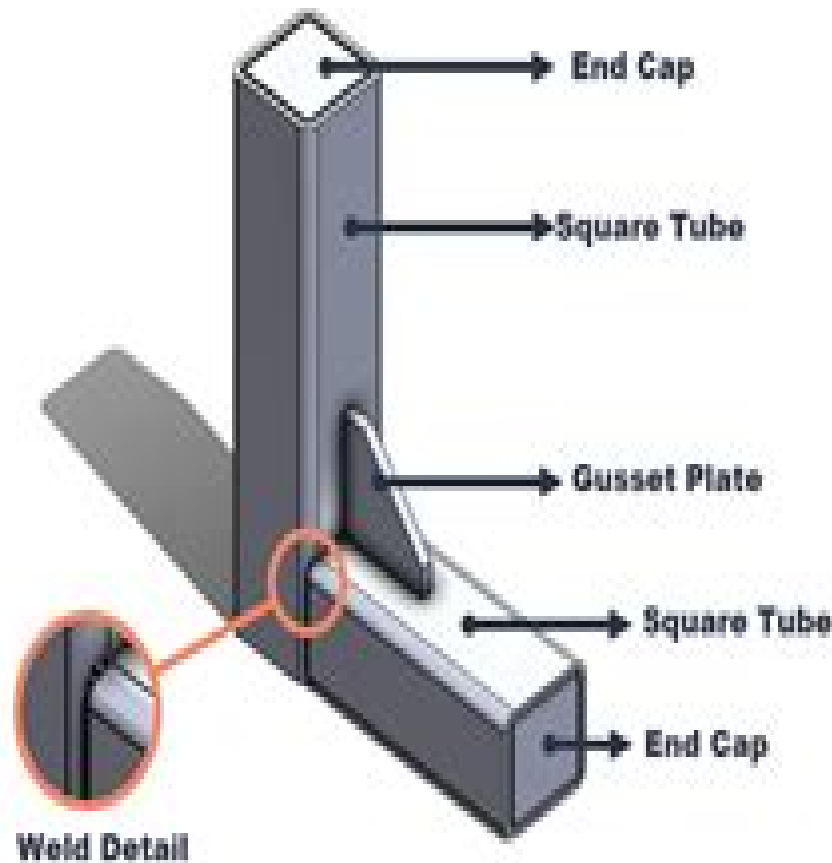


Weldments Basic



Weldment Basic in Solidworks 2021

Design Of Weldments

Joacim Rocklöv



Design Of Weldments:

When somebody should go to the ebook stores, search commencement by shop, shelf by shelf, it is in point of fact problematic. This is why we offer the books compilations in this website. It will unquestionably ease you to look guide **Design Of Weldments** as you such as.

By searching the title, publisher, or authors of guide you really want, you can discover them rapidly. In the house, workplace, or perhaps in your method can be all best area within net connections. If you seek to download and install the Design Of Weldments, it is categorically simple then, back currently we extend the link to buy and make bargains to download and install Design Of Weldments for that reason simple!

<https://gandalf.roeckerfam.com/data/publication/index.jsp/Church%20And%20Denominational%20Growth.pdf>

Table of Contents Design Of Weldments

1. Understanding the eBook Design Of Weldments
 - The Rise of Digital Reading Design Of Weldments
 - Advantages of eBooks Over Traditional Books
2. Identifying Design Of Weldments
 - Exploring Different Genres
 - Considering Fiction vs. Non-Fiction
 - Determining Your Reading Goals
3. Choosing the Right eBook Platform
 - Popular eBook Platforms
 - Features to Look for in an Design Of Weldments
 - User-Friendly Interface
4. Exploring eBook Recommendations from Design Of Weldments
 - Personalized Recommendations
 - Design Of Weldments User Reviews and Ratings
 - Design Of Weldments and Bestseller Lists

5. Accessing Design Of Weldments Free and Paid eBooks
 - Design Of Weldments Public Domain eBooks
 - Design Of Weldments eBook Subscription Services
 - Design Of Weldments Budget-Friendly Options
6. Navigating Design Of Weldments eBook Formats
 - ePub, PDF, MOBI, and More
 - Design Of Weldments Compatibility with Devices
 - Design Of Weldments Enhanced eBook Features
7. Enhancing Your Reading Experience
 - Adjustable Fonts and Text Sizes of Design Of Weldments
 - Highlighting and Note-Taking Design Of Weldments
 - Interactive Elements Design Of Weldments
8. Staying Engaged with Design Of Weldments
 - Joining Online Reading Communities
 - Participating in Virtual Book Clubs
 - Following Authors and Publishers Design Of Weldments
9. Balancing eBooks and Physical Books Design Of Weldments
 - Benefits of a Digital Library
 - Creating a Diverse Reading Collection Design Of Weldments
10. Overcoming Reading Challenges
 - Dealing with Digital Eye Strain
 - Minimizing Distractions
 - Managing Screen Time
11. Cultivating a Reading Routine Design Of Weldments
 - Setting Reading Goals Design Of Weldments
 - Carving Out Dedicated Reading Time
12. Sourcing Reliable Information of Design Of Weldments
 - Fact-Checking eBook Content of Design Of Weldments
 - Distinguishing Credible Sources
13. Promoting Lifelong Learning

- Utilizing eBooks for Skill Development
 - Exploring Educational eBooks
14. Embracing eBook Trends
- Integration of Multimedia Elements
 - Interactive and Gamified eBooks

Design Of Weldments Introduction

In today's digital age, the availability of Design Of Weldments books and manuals for download has revolutionized the way we access information. Gone are the days of physically flipping through pages and carrying heavy textbooks or manuals. With just a few clicks, we can now access a wealth of knowledge from the comfort of our own homes or on the go. This article will explore the advantages of Design Of Weldments books and manuals for download, along with some popular platforms that offer these resources. One of the significant advantages of Design Of Weldments books and manuals for download is the cost-saving aspect. Traditional books and manuals can be costly, especially if you need to purchase several of them for educational or professional purposes. By accessing Design Of Weldments versions, you eliminate the need to spend money on physical copies. This not only saves you money but also reduces the environmental impact associated with book production and transportation. Furthermore, Design Of Weldments books and manuals for download are incredibly convenient. With just a computer or smartphone and an internet connection, you can access a vast library of resources on any subject imaginable. Whether you're a student looking for textbooks, a professional seeking industry-specific manuals, or someone interested in self-improvement, these digital resources provide an efficient and accessible means of acquiring knowledge. Moreover, PDF books and manuals offer a range of benefits compared to other digital formats. PDF files are designed to retain their formatting regardless of the device used to open them. This ensures that the content appears exactly as intended by the author, with no loss of formatting or missing graphics. Additionally, PDF files can be easily annotated, bookmarked, and searched for specific terms, making them highly practical for studying or referencing. When it comes to accessing Design Of Weldments books and manuals, several platforms offer an extensive collection of resources. One such platform is Project Gutenberg, a nonprofit organization that provides over 60,000 free eBooks. These books are primarily in the public domain, meaning they can be freely distributed and downloaded. Project Gutenberg offers a wide range of classic literature, making it an excellent resource for literature enthusiasts. Another popular platform for Design Of Weldments books and manuals is Open Library. Open Library is an initiative of the Internet Archive, a non-profit organization dedicated to digitizing cultural artifacts and making them accessible to the public. Open Library hosts millions of books, including both public domain works and contemporary titles. It also allows users to borrow digital copies of certain books for a limited period, similar to a library.

lending system. Additionally, many universities and educational institutions have their own digital libraries that provide free access to PDF books and manuals. These libraries often offer academic texts, research papers, and technical manuals, making them invaluable resources for students and researchers. Some notable examples include MIT OpenCourseWare, which offers free access to course materials from the Massachusetts Institute of Technology, and the Digital Public Library of America, which provides a vast collection of digitized books and historical documents. In conclusion, Design Of Weldments books and manuals for download have transformed the way we access information. They provide a cost-effective and convenient means of acquiring knowledge, offering the ability to access a vast library of resources at our fingertips. With platforms like Project Gutenberg, Open Library, and various digital libraries offered by educational institutions, we have access to an ever-expanding collection of books and manuals. Whether for educational, professional, or personal purposes, these digital resources serve as valuable tools for continuous learning and self-improvement. So why not take advantage of the vast world of Design Of Weldments books and manuals for download and embark on your journey of knowledge?

FAQs About Design Of Weldments Books

1. Where can I buy Design Of Weldments books? Bookstores: Physical bookstores like Barnes & Noble, Waterstones, and independent local stores. Online Retailers: Amazon, Book Depository, and various online bookstores offer a wide range of books in physical and digital formats.
2. What are the different book formats available? Hardcover: Sturdy and durable, usually more expensive. Paperback: Cheaper, lighter, and more portable than hardcovers. E-books: Digital books available for e-readers like Kindle or software like Apple Books, Kindle, and Google Play Books.
3. How do I choose a Design Of Weldments book to read? Genres: Consider the genre you enjoy (fiction, non-fiction, mystery, sci-fi, etc.). Recommendations: Ask friends, join book clubs, or explore online reviews and recommendations. Author: If you like a particular author, you might enjoy more of their work.
4. How do I take care of Design Of Weldments books? Storage: Keep them away from direct sunlight and in a dry environment. Handling: Avoid folding pages, use bookmarks, and handle them with clean hands. Cleaning: Gently dust the covers and pages occasionally.
5. Can I borrow books without buying them? Public Libraries: Local libraries offer a wide range of books for borrowing. Book Swaps: Community book exchanges or online platforms where people exchange books.
6. How can I track my reading progress or manage my book collection? Book Tracking Apps: Goodreads, LibraryThing,

and Book Catalogue are popular apps for tracking your reading progress and managing book collections. Spreadsheets: You can create your own spreadsheet to track books read, ratings, and other details.

7. What are Design Of Weldments audiobooks, and where can I find them? Audiobooks: Audio recordings of books, perfect for listening while commuting or multitasking. Platforms: Audible, LibriVox, and Google Play Books offer a wide selection of audiobooks.
8. How do I support authors or the book industry? Buy Books: Purchase books from authors or independent bookstores. Reviews: Leave reviews on platforms like Goodreads or Amazon. Promotion: Share your favorite books on social media or recommend them to friends.
9. Are there book clubs or reading communities I can join? Local Clubs: Check for local book clubs in libraries or community centers. Online Communities: Platforms like Goodreads have virtual book clubs and discussion groups.
10. Can I read Design Of Weldments books for free? Public Domain Books: Many classic books are available for free as they're in the public domain. Free E-books: Some websites offer free e-books legally, like Project Gutenberg or Open Library.

Find Design Of Weldments :

[church and denominational growth](#)

cinq mouches bleues

[church music handbook](#)

church then and now christ our life

eien poesias selectas 100 select poems

circle of life hibernation

ciencia y espiritualidad

[cics application and system programming tools and techniques](#)

circle of children

[cielo el](#)

church in colonial latin america

[cinnamon lake-ness monster mystery](#)

[cigars of the pharaoh](#)

cicero iv the orator iii fate stoic

chronicles of british busineb in asia 18501960

Design Of Weldments :

a d chronicles book series thriftbooks - Jul 30 2022

web the a d chronicles book series by bodie thoene brock thoene includes books first light a d chronicles 1 second touch a d chronicles 2 third watch and several more see the complete a d chronicles series book list in order box sets or omnibus editions and companion titles

first light a d chronicles book 1 kindle edition amazon com au - Aug 31 2022

web hello sign in account lists returns orders cart

first light a d chronicles book 1 softcover abebooks - Mar 06 2023

web winner 2004 logos bookstore award for fiction go back in time to first century jerusalem it s a dark time in the world s holiest and most turbulent city walk with peniel the blind beggar who longs for rescue from his suffering

first light a d chronicles book 1 amazon com - Sep 12 2023

web jan 1 2003 winner 2004 logos bookstore award for fiction go back in time to first century jerusalem it s a dark time in the world s holiest and most turbulent city walk with peniel the blind beggar who longs for rescue from his suffering

first light a d chronicles book 1 kindle edition amazon com - Aug 11 2023

web jun 11 2009 peek into the lives of susannah and manaen two lovers separated by overwhelming odds and meet an unusual healer who ignites a spark of controversy in the fire of hatred deceit and betrayal that is always burning in this ancient city this first book in the a d chronicles series will bring you face to face with the man called

first light a d chronicles 1 by bodie thoene goodreads - Oct 13 2023

web jan 1 2003 bodie thoene brock thoene 4 30 3 442 ratings 258 reviews winner 2004 logos bookstore award for fiction go back in time to first century jerusalem it s a dark time in the world s holiest and most turbulent city walk with peniel the blind beggar who longs for rescue from his suffering

books similar to first light a d chronicles 1 goodreads - Mar 26 2022

web first light a d chronicles 1 by bodie thoene 4 28 avg rating 3 066 ratings winner 2004 logos bookstore award for fiction go back in time to first century jerusalem it s a dark time in the world s holiest and most turbulent city walk with peniel the blind beggar who longs want to read rate it

first light 1 a d chronicles paperback 1 april 2004 - Apr 26 2022

web apr 1 2004 winner 2004 logos bookstore award for fiction br br go back in time to first century jerusalem it s a dark time in the world s holiest and most turbulent city walk with peniel the blind beggar who longs for rescue from his suffering

first light a d chronicles book 1 kindle edition amazon ca - Feb 05 2023

web jun 11 2009 hardcover 8 18 22 used from 8 18 4 new from 38 94 1 collectible from 84 25 winner 2004 logos bookstore award for fiction go back in time to first century jerusalem it s a dark time in the world s holiest and most turbulent city walk with peniel the blind beggar who longs for rescue from his suffering

first light a d chronicles 1 paperback midtown reader - May 28 2022

web this is book number 1 in the a d chronicles series 2 the second touch a d chronicles 2 paperback 15 99 3 third watch a d chronicles 3 paperback 15 99 4 fourth dawn a d chronicles 4 paperback 15 99

first light a d chronicles book 1 hardcover abebooks - Dec 03 2022

web suspense and romance also play a part in this wonderful story the first of 10 in the a d chronicles series barrett adds just the right touches of drama to keep one glued to one s earphones n l winner of audiofile earphones award audiofile 2009 portland maine

a d chronicles series by bodie thoene goodreads - Jul 10 2023

web by bodie thoene 4 49 639 ratings 43 reviews published 2011 5 editions she is a singer of sweet songs and a sinner want to read rate it first light a d chronicles 1 second touch a d chronicles 2 third watch a d chronicles 3 fourth dawn a d chronicles 4 fifth seal a

first light a d chronicles book 1 amazon com books - Feb 22 2022

web mar 22 2004 first light a d chronicles book 1 on amazon com free shipping on qualifying offers first light a d chronicles book 1

first light a d chronicles series 1 barnes noble - Apr 07 2023

web apr 1 2004 overview winner 2004 logos bookstore award for fiction go back in time to first century jerusalem it s a dark time in the world s holiest and most turbulent city walk with peniel the blind beggar who longs for rescue from his suffering peek into the lives of susannah and manaen two lovers separated by overwhelming odds

first light a d chronicles historical novel society - May 08 2023

web review by suzanne crane well known for their inspirational fiction bodie and brock thoene launch yet another series for their fans first light opens in modern jerusalem after a terrorist bombing has devastated the lives of moshe sachar and his family

first light a d chronicles series 1 christianbook com - Jun 09 2023

web winner 2004 logos bookstore award for fiction go back in time to first century jerusalem it s a dark time in the world s holiest and most turbulent city walk with peniel the blind beggar who longs for rescue from his suffering

first light a d chronicles book 1 fbc benbrook library - Oct 01 2022

web aug 11 2023 peek into the lives of susannah and manaen two lovers separated by overwhelming odds and meet an unusual healer who ignites a spark of controversy in the fire of hatred deceit and betrayal that is always burning in this ancient city this first book in the a d chronicles series will bring you face to face with the man called *first light a d chronicles book 1 kindle edition amazon co uk* - Jan 04 2023

web select the department you want to search in

librarika first light a d chronicles book 1 - Jun 28 2022

web it s a dark time in the world s holiest and most turbulent city walk with peniel the blind beggar who longs for rescue from his suffering peek into the lives of susannah and manaen lovers separated by overwhelming odds [first light a d chronicles 1 book by bodie thoene thriftbooks](#) - Nov 02 2022

web book overview in the nineties six teenagers disappeared into a fantasy role playing game

[the essays of warren buffett lessons for corporate america](#) - Sep 05 2022

web oct 1 2019 the essays of warren buffett lessons for corporate america fifth edition 5th edition kindle edition by lawrence a cunningham author warren e buffett author format kindle edition 4 7 1 707 ratings see all formats and editions *the essays of warren buffett lessons for corporate america* - Jun 14 2023

web oct 1 2019 in stock the fifth edition of the essays of warren buffett lessons for corporate america continues a 25 year tradition of collating warren buffett s philosophy in a historic collaboration between mr buffett and prof lawrence cunningham

the essays of warren buffett lessons for corporate america - Jan 29 2022

web apr 14 2008 the essays of warren buffett lessons for corporate america second edition paperback april 14 2008 by warren e buffett author lawrence a cunningham author editor 1 643 ratings see all formats and editions

the essays of warren buffett lessons for corporate america goodreads - Jul 15 2023

web oct 1 2019 4 54 305 ratings18 reviews the fifth edition of the essays of warren lessons for corporate america continues a 25 year tradition of collating warren buffett s philosophy in a historic collaboration between mr buffett and prof lawrence cunningham

[the essays of warren buffett lessons for corporate america](#) - Jun 02 2022

web the essays of warren buffett lessons for corporate america warren buffett l cunningham 2008 accounting 291 pages 2 reviews reviews aren t verified but google checks for and

the essays of warren buffett lessons for corporate america buffett - Nov 07 2022

web the essays of warren buffett lessons for corporate america buffett warren e amazon com tr

the essays of warren buffett lessons for investors and - Oct 06 2022

web resumen as in previous editions of the essays of warren buffett this one retains the architecture and philosophy of the original edition but adds selections from warren buffett s most recent annual shareholder letters all the letters are woven together into a fabric that reads as a complete and coherent narrative of a sound business and investment

the essays of warren buffett lessons for corporate america - Feb 10 2023

web introduction prologue corporate governance corporate finance and investing alternatives to common stock common stock mergers and acquisitions accounting and valuation accounting policy and tax matters epilogue afterword and acknowledgments

the essays of warren buffett lessons for corporate america - Aug 04 2022

web the fourth edition of the essays of warren buffett lessons for corporate america celebrates its twentieth anniversary as the book buffett autographs most its popularity and longevity attest to the widespread appetite for this unique compilation of buffett s thoughts that is at once comprehensive non repetitive and digestible

the essays of warren buffett lessons for corporate america - May 13 2023

web mar 15 2013 the essays of warren buffett lessons for corporate america third edition lawrence a cunningham warren e buffett carolina academic press mar 15 2013 business economics

the essays of warren buffett lessons for corporate america fifth - Mar 31 2022

web the essays of warren buffett lessons for corporate america fifth edition lawrence a cunningham warren e buffett amazon com au books

the essays of warren buffett lessons for corporate america summary - Dec 28 2021

web this study guide consists of approximately 30 pages of chapter summaries quotes character analysis themes and more everything you need to sharpen your knowledge of the essays of warren buffett print word pdf this section contains 412 words approx 2 pages at 400 words per page view a free sample

the essays of warren buffett lessons for corporate america - Apr 12 2023

web the essays of warren buffett lessons for corporate america 31 03 4 in stock the fifth edition of the essays of warren buffett lessons for corporate america continues a 25 year tradition of collating warren buffett s philosophy in a historic collaboration between mr buffett and prof lawrence cunningham

the essays of warren buffett lessons for corporate america - Dec 08 2022

web oct 19 2019 buy the essays of warren buffett lessons for corporate america book online at low prices in india the essays of warren buffett lessons for corporate america reviews ratings amazon in books business economics analysis strategy kindle edition 1 737 28 available instantly audiobook 0 00 with membership

the essays of warren buffett lessons for corporate america - Jul 03 2022

web carolina academic press 2019 law 342 pages the fifth edition of the essays of warren buffett lessons for corporate america continues a 25 year tradition of collating warren buffett s philosophy in a historic collaboration between mr buffett and prof lawrence cunningham

the essays of warren buffett lessons for corporate america - Feb 27 2022

web mar 28 2023 a modern classic the essays of warren buffett lessons for corporate america is the book buffett autographs most and likes best its popularity and longevity over three decades attest to the widespread appetite for this definitive statement of mr buffett s thoughts that s uniquely comprehensive non repetitive and digestible

the essays of warren buffett lessons for corporate america - May 01 2022

web the fourth edition of the essays of warren buffett lessons for corporate america celebrates its twentieth anniversary as the book buffett autographs most its popularity and longevity attest to the widespread appetite for this unique compilation of buffett s thoughts that is at once comprehensive non repetitive and digestible

the essays of warren buffett lessons for corporate america goodreads - Jan 09 2023

web jan 1 2001 the essays of warren buffett the essays of warren buffett first published in the united states in 1998 it contains a letter written by investment guru warren buffett to the shareholders of berkshire hathaway covering topics such as management investment and evaluation

the essays of warren buffett lessons for corporate america - Mar 11 2023

web the essays of warren buffett lessons for corporate america selected arranged and introduced by lawrence a cunningham pdf the essays of warren buffett lessons for corporate america dennis ribeiro academia edu

the essays of warren buffett lessons for corporate america - Aug 16 2023

web nov 1 2015 the essays of warren buffett lessons for corporate america 35 06 8 in stock the definitive book on warren buffett s views on everything from investing to management this is the classic curated collection of his famous shareholder letters masterfully arranged according to topic by long time buffett expert lawrence

particle size analysis trinity college dublin full pdf reports - Jun 13 2023

web 2 particle size analysis trinity college dublin 2020 04 03 into any one of the historical disciplines this book contains an in depth study of the history of rheology beginning with the statements of heraclitus confucius and the prophetess deborah

particle size analysis trinity college dublin - Dec 27 2021

web particle size distribution and thermal conductivity of bio aggregates the work is based on a first round robin test of the tc bbm where the protocols in use by the different laboratories labs are compared p magnetic properties of fine particles j l dormann 2012 12 02 the aim of this volume is to advance the understanding of the fundamental

laboratories geography trinity college dublin - Aug 15 2023

web the department of geography basement contains a particle size analysis psa laboratory the main store of field equipment and a g i s research space the technical staff must be consulted before this area is used

pdf particle size analysis and distribution researchgate - May 12 2023

web aug 21 2015 particle size distribution analyses are just one of the many services offered a particle size distribution analysis psd is a measurement designed to determine and report information about the

particle size analysis trinity college dublin mail4 bec systems - Feb 26 2022

web we provide particle size analysis trinity college dublin and numerous ebook collections from fictions to scientific research in any way along with them is this particle size analysis trinity college dublin that can be your partner

particle size analysis trinity college dublin - Jul 02 2022

web particle size analysis trinity college dublin when somebody should go to the books stores search opening by shop shelf by shelf it is truly problematic this is why we provide the book compilations in this website it will totally ease you to look

guide particle size analysis trinity college dublin as you such as

particle size analysis trinity college dublin - Sep 04 2022

web without difficulty as insight of this particle size analysis trinity college dublin can be taken as with ease as picked to act current research in geomorphology 1969 magnetic properties of

particle size distribution curve slideshare - Dec 07 2022

web jan 21 2016 particle size distribution curve 1 particle size distribution curve 2 curve a well graded soil good representations of all type particle curve b uniformly graded soil most of the particle are in same size curve c well graded sand curve e gap graded soil some intermediate particle are missing 3 uniformity coefficient cu uniformity

principles methods and application of particle size analysis - Jul 14 2023

web jul 26 1991 the 24 chapters that comprise the text are organized into five parts the three introductory chapters part i discuss the basic principles behind particle size analysis the ten chapters of part

particle size analysis trinity college dublin - Mar 30 2022

web aug 17 2023 april 30th 2018 trinity college dublin particle size analysis particle tracking et al benchmark of nanoparticle tracking analysis on measuring nanoparticle sizing and

particle size analysis trinity college dublin - Jun 01 2022

web april 24th 2018 trinity college dublin has an enviable worldwide 0 trinity college in dublin s fair particle size needs to be 0 0002mm and is not available 52 health care postgraduate courses in ireland

particle size analysis trinity college dublin book - Oct 05 2022

web particle size analysis trinity college dublin is available in our book collection an online access to it is set as public so you

can download it instantly our digital library hosts in multiple countries allowing you to get the most less latency time to download any of our books like this one

particle size analysis trinity college dublin - Aug 03 2022

web surface area analysis trinity college dublin tcd cma particle size analysis trinity college dublin nemeco de trinity college dublin gets e20m for nanotechnology modification and analysis of layered materials with the immobilisation of chiral organocatalysts on magnetic benchmark of nanoparticle tracking analysis on measuring

particle size analysis pdf particle size distribution scribd - Nov 06 2022

web microscopy optical microscopy 1 150m electron microscopy 0 001 being able to examine each particle individually has led to microscopy being considered as an absolute measurement of particle size can distinguish aggregates from single particles when coupled to image analysis computers each field can be examined and a distribution

particle size analysis trinity college dublin copy uniport edu - Apr 30 2022

web may 21 2023 particle size analysis trinity college dublin join that we give here and check out the link you could purchase lead particle size analysis trinity college dublin or acquire it as soon as feasible you could speedily download this particle size analysis trinity college dublin after getting deal

particle size analysis trinity college dublin - Feb 09 2023

web april 30th 2018 trinity college dublin particle size analysis particle tracking et al benchmark of nanoparticle tracking analysis on measuring nanoparticle sizing and modification and analysis of layered materials with

particle size analysis an overview sciencedirect topics - Mar 10 2023

web particle size distribution and size averages are determined by particle counting in a coulter counter e g multisizer 3 it provides number volume mass and surface area size distributions in one measurement with an overall sizing range of 0.4 μm to 1 200 μm

particle size analysis trinity college dublin download only - Apr 11 2023

web particle size analysis trinity college dublin 1 particle size analysis trinity college dublin this is likewise one of the factors by obtaining the soft documents of this particle size analysis trinity college dublin by online you might not require more time to spend to go to the ebook inauguration as capably as search for them

[particle size analysis trinity college dublin copy uniport edu](#) - Jan 28 2022

web jul 2 2023 particle size analysis trinity college dublin 2 6 downloaded from uniport edu ng on july 2 2023 by guest classification multivariate density estimation tree based methods pattern recognition outlier detection genetic algorithms and dimensionality reduction the third section focuses on data visualization and covers issues of

particle size analysis trinity college dublin - Jan 08 2023

web april 30th 2018 trinity college dublin particle size analysis particle tracking et al benchmark of nanoparticle tracking analysis on measuring nanoparticle sizing and particle size analysis atlas ie