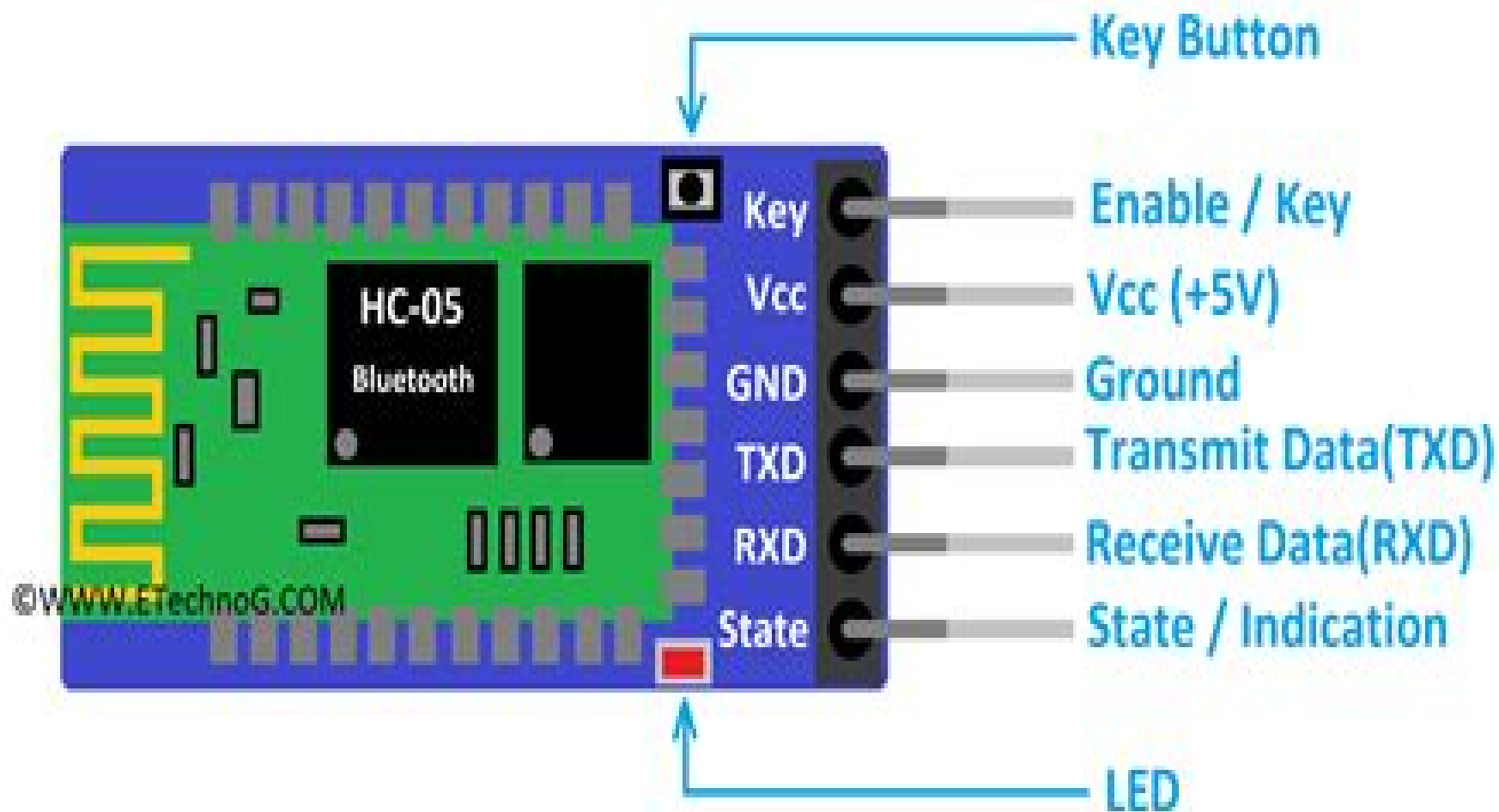


Figure.01:

## Bluetooth Module HC-05 Pinout Diagram



# Chernobylnuc Power Hc

**M Walker**



**Chernobylnuc Power Hc:**

Right here, we have countless books **Chernobylnuc Power Hc** and collections to check out. We additionally pay for variant types and then type of the books to browse. The all right book, fiction, history, novel, scientific research, as well as various additional sorts of books are readily open here.

As this Chernobylnuc Power Hc, it ends occurring inborn one of the favored ebook Chernobylnuc Power Hc collections that we have. This is why you remain in the best website to look the amazing book to have.

<https://gandalf.roeckerfam.com/public/uploaded-files/index.jsp/Bayonets%20In%20The%20Streets%20The%20Use%20Of%20Troops%20In%20Civil%20Disturbances.pdf>

## **Table of Contents Chernobylnuc Power Hc**

1. Understanding the eBook Chernobylnuc Power Hc
  - The Rise of Digital Reading Chernobylnuc Power Hc
  - Advantages of eBooks Over Traditional Books
2. Identifying Chernobylnuc Power Hc
  - Exploring Different Genres
  - Considering Fiction vs. Non-Fiction
  - Determining Your Reading Goals
3. Choosing the Right eBook Platform
  - Popular eBook Platforms
  - Features to Look for in an Chernobylnuc Power Hc
  - User-Friendly Interface
4. Exploring eBook Recommendations from Chernobylnuc Power Hc
  - Personalized Recommendations
  - Chernobylnuc Power Hc User Reviews and Ratings
  - Chernobylnuc Power Hc and Bestseller Lists
5. Accessing Chernobylnuc Power Hc Free and Paid eBooks

- Chernobylnuc Power Hc Public Domain eBooks
  - Chernobylnuc Power Hc eBook Subscription Services
  - Chernobylnuc Power Hc Budget-Friendly Options
6. Navigating Chernobylnuc Power Hc eBook Formats
    - ePub, PDF, MOBI, and More
    - Chernobylnuc Power Hc Compatibility with Devices
    - Chernobylnuc Power Hc Enhanced eBook Features
  7. Enhancing Your Reading Experience
    - Adjustable Fonts and Text Sizes of Chernobylnuc Power Hc
    - Highlighting and Note-Taking Chernobylnuc Power Hc
    - Interactive Elements Chernobylnuc Power Hc
  8. Staying Engaged with Chernobylnuc Power Hc
    - Joining Online Reading Communities
    - Participating in Virtual Book Clubs
    - Following Authors and Publishers Chernobylnuc Power Hc
  9. Balancing eBooks and Physical Books Chernobylnuc Power Hc
    - Benefits of a Digital Library
    - Creating a Diverse Reading Collection Chernobylnuc Power Hc
  10. Overcoming Reading Challenges
    - Dealing with Digital Eye Strain
    - Minimizing Distractions
    - Managing Screen Time
  11. Cultivating a Reading Routine Chernobylnuc Power Hc
    - Setting Reading Goals Chernobylnuc Power Hc
    - Carving Out Dedicated Reading Time
  12. Sourcing Reliable Information of Chernobylnuc Power Hc
    - Fact-Checking eBook Content of Chernobylnuc Power Hc
    - Distinguishing Credible Sources
  13. Promoting Lifelong Learning
    - Utilizing eBooks for Skill Development

- Exploring Educational eBooks
14. Embracing eBook Trends
- Integration of Multimedia Elements
  - Interactive and Gamified eBooks

### **Chernobylnuc Power Hc Introduction**

In the digital age, access to information has become easier than ever before. The ability to download Chernobylnuc Power Hc has revolutionized the way we consume written content. Whether you are a student looking for course material, an avid reader searching for your next favorite book, or a professional seeking research papers, the option to download Chernobylnuc Power Hc has opened up a world of possibilities. Downloading Chernobylnuc Power Hc provides numerous advantages over physical copies of books and documents. Firstly, it is incredibly convenient. Gone are the days of carrying around heavy textbooks or bulky folders filled with papers. With the click of a button, you can gain immediate access to valuable resources on any device. This convenience allows for efficient studying, researching, and reading on the go. Moreover, the cost-effective nature of downloading Chernobylnuc Power Hc has democratized knowledge. Traditional books and academic journals can be expensive, making it difficult for individuals with limited financial resources to access information. By offering free PDF downloads, publishers and authors are enabling a wider audience to benefit from their work. This inclusivity promotes equal opportunities for learning and personal growth. There are numerous websites and platforms where individuals can download Chernobylnuc Power Hc. These websites range from academic databases offering research papers and journals to online libraries with an expansive collection of books from various genres. Many authors and publishers also upload their work to specific websites, granting readers access to their content without any charge. These platforms not only provide access to existing literature but also serve as an excellent platform for undiscovered authors to share their work with the world. However, it is essential to be cautious while downloading Chernobylnuc Power Hc. Some websites may offer pirated or illegally obtained copies of copyrighted material. Engaging in such activities not only violates copyright laws but also undermines the efforts of authors, publishers, and researchers. To ensure ethical downloading, it is advisable to utilize reputable websites that prioritize the legal distribution of content. When downloading Chernobylnuc Power Hc, users should also consider the potential security risks associated with online platforms. Malicious actors may exploit vulnerabilities in unprotected websites to distribute malware or steal personal information. To protect themselves, individuals should ensure their devices have reliable antivirus software installed and validate the legitimacy of the websites they are downloading from. In conclusion, the ability to download Chernobylnuc Power Hc has transformed the way we access information. With the convenience, cost-effectiveness, and accessibility it offers, free PDF downloads have become a

popular choice for students, researchers, and book lovers worldwide. However, it is crucial to engage in ethical downloading practices and prioritize personal security when utilizing online platforms. By doing so, individuals can make the most of the vast array of free PDF resources available and embark on a journey of continuous learning and intellectual growth.

### **FAQs About Chernobylnuc Power Hc Books**

How do I know which eBook platform is the best for me? Finding the best eBook platform depends on your reading preferences and device compatibility. Research different platforms, read user reviews, and explore their features before making a choice. Are free eBooks of good quality? Yes, many reputable platforms offer high-quality free eBooks, including classics and public domain works. However, make sure to verify the source to ensure the eBook credibility. Can I read eBooks without an eReader? Absolutely! Most eBook platforms offer webbased readers or mobile apps that allow you to read eBooks on your computer, tablet, or smartphone. How do I avoid digital eye strain while reading eBooks? To prevent digital eye strain, take regular breaks, adjust the font size and background color, and ensure proper lighting while reading eBooks. What the advantage of interactive eBooks? Interactive eBooks incorporate multimedia elements, quizzes, and activities, enhancing the reader engagement and providing a more immersive learning experience. Chernobylnuc Power Hc is one of the best book in our library for free trial. We provide copy of Chernobylnuc Power Hc in digital format, so the resources that you find are reliable. There are also many Ebooks of related with Chernobylnuc Power Hc. Where to download Chernobylnuc Power Hc online for free? Are you looking for Chernobylnuc Power Hc PDF? This is definitely going to save you time and cash in something you should think about. If you trying to find then search around for online. Without a doubt there are numerous these available and many of them have the freedom. However without doubt you receive whatever you purchase. An alternate way to get ideas is always to check another Chernobylnuc Power Hc. This method for see exactly what may be included and adopt these ideas to your book. This site will almost certainly help you save time and effort, money and stress. If you are looking for free books then you really should consider finding to assist you try this. Several of Chernobylnuc Power Hc are for sale to free while some are payable. If you arent sure if the books you would like to download works with for usage along with your computer, it is possible to download free trials. The free guides make it easy for someone to free access online library for download books to your device. You can get free download on free trial for lots of books categories. Our library is the biggest of these that have literally hundreds of thousands of different products categories represented. You will also see that there are specific sites catered to different product types or categories, brands or niches related with Chernobylnuc Power Hc. So depending on what exactly you are searching, you will be able to choose e books to suit your own need. Need to access completely for Campbell Biology Seventh Edition book? Access Ebook without any digging. And by having access to

our ebook online or by storing it on your computer, you have convenient answers with Chernobylnuc Power Hc To get started finding Chernobylnuc Power Hc, you are right to find our website which has a comprehensive collection of books online. Our library is the biggest of these that have literally hundreds of thousands of different products represented. You will also see that there are specific sites catered to different categories or niches related with Chernobylnuc Power Hc So depending on what exactly you are searching, you will be able to choose ebook to suit your own need. Thank you for reading Chernobylnuc Power Hc. Maybe you have knowledge that, people have search numerous times for their favorite readings like this Chernobylnuc Power Hc, but end up in harmful downloads. Rather than reading a good book with a cup of coffee in the afternoon, instead they juggled with some harmful bugs inside their laptop. Chernobylnuc Power Hc is available in our book collection an online access to it is set as public so you can download it instantly. Our digital library spans in multiple locations, allowing you to get the most less latency time to download any of our books like this one. Merely said, Chernobylnuc Power Hc is universally compatible with any devices to read.

### **Find Chernobylnuc Power Hc :**

~~bayonets in the streets the use of troops in civil disturbances~~

*be mine be mine sweet valentine*

baylor the tailor & his two button day

#### **bean cuisine**

*battle of ypres a reference to military options in the ypres salient 1914-18*

battleground the socialist assault on grant devines canadian dream

#### **battle of britain aircraft**

#### **battle weapons of the american revolution**

~~beagles 2004 calendar~~

batman beyond

*battle of the atlantic world war ii 50th anniversary series*

#### **beach-la-mar to bislama the emergence of a natural language in vanuatu**

#### **bayswater brasserie of food**

#### **be sure what you believe the christian faith simply explained**

battle for berlin battle 6.

**Chernobylnuc Power Hc :**

*do 242 electronic rtca* - Jun 18 2023

web do 242 electronic home products do 242 electronic subscribe to our newsletter close email required first name by submitting this form you are consenting to receive marketing emails from rtca inc 1150 18th street nw washington dc 20036 you can revoke your consent to receive emails at any time by

product details community hub radio technical commission - May 17 2023

web do 242a electronic your price 225 00 document title do 242a minimum aviation system performance standards for automatic dependent surveillance broadcast ads b description this document supersedes do 242 and provides an up to date view of the system wide operational use of ads b

**rtca do 242 standard free download docuwebs org** - Aug 08 2022

web rtca do 242 revision a june 25 2002 minimum aviation system performance standards for automatic dependent surveillance broadcast ads b more details pdf available formats immediate download 132 00 330 00 price reduced by 60 quantity more info description abstract

vd14 tm alignment with do 242a rtca ads b masps eurocae wg51 sg2 vdl - Nov 11 2022

web this paper presents a series of change proposals considered by eurocae wg51 sg2 and aims at updating the vdl 4 technical manual for alignment with the current ads b masps rtca do 242a the sections below describe the rationale for the proposed changes and further details on the proposed change to update the technical manual

pdf minimum aviation system performance standards for - Sep 09 2022

web minimum aviation system performance standards for automatic dependent surveillance broadcast ads b

**rtca do 242 minimum aviation system performance** - Sep 21 2023

web dec 13 2006 details history references scope this change to do 242a mainly clarifies the definitions of several parameters transmitted by aircraft in ads b messages these parameters provide information to the recipient of the ads b message about the quality of the transmitted aircraft position

development of intent information changes to revised minimum - Oct 10 2022

web rtca special committee 186 has recently adopted a series of changes to the original minimum aviation system performance standards masps for automatic dependent surveillance broadcast ads b 1 the new document will be published as do 242a

**rtca do 242a techstreet** - Dec 12 2022

web rtca do 242a minimum aviation system performance standards for automatic dependent surveillance broadcast ads b standard by radio technical commission for aeronautics 06 25 2002 amendments available view all product details

**minimum aviation system performance standards for automatic** - Mar 15 2023

web sep 26 2020 this report was prepared by special committee 186 sc 186 and approved by the rtca program management committee pmc on june 25 2002 this document rtca do 242a supersedes and replaces its first edition rtca do

**automatic dependent surveillance broadcast ads b planning** - Jul 19 2023

web rtca do 282 august 2002 defines formats for ads a e r o n a u t i c a l s u r v e i l l a n c e p a n e l b version 1 for uat rtca do 282a july 2004 updated formats after the icao acp development of the uat sarps rtca do 282b published in december 2009 defines ads b version 2 formats for uat

**rtca do 242a pdf udinahu files wordpress com** - Feb 02 2022

web number do 242a25 jul 2011 updated as rtca do 242a june 2002 the basis for for 1090es published as rtca do 260 sept 2000 rtca do 313 defined ads b version 0 formats do 242a is an aviation system standard published by rtca incorporated it contains minimum aviation system performance standards masps for automatic rtca

**rtca do 242 1998 pdf** - Jul 07 2022

web dec 13 2016 rtca do 242 1998 pdfdo do r pdf rtca pdf do242 rtca rtca

**do 242a wikipedia** - Aug 20 2023

web do 242a is an aviation system standard published by rtca incorporated it contains minimum aviation system performance standards masps for automatic dependent surveillance broadcast ads b these standards specify operational characteristics that should be useful to designers manufacturers installers service providers and users of

**rtca do 242 change 1 2006 antpedia com** - Feb 14 2023

web dec 3 2021 rtca do 242 change 1 2006 rtca inc 1828 l street nw suite 805 washington dc 20036 5133 usa minimum aviation system performance standards automatic dependent surveillance broadcast ads b change 1 trtca do 242a change 1 idecember 13 2006 Žmodifies rtca do 242a prepared by sc 186 2006

**rtca do 242 1998** - May 05 2022

web feb 27 2012 rtca do 242 1998 pdf rtca do 242 1998 9 98 br chn docin com

**ads b s itpub** - Mar 03 2022

web jun 2 2021 rtca rtca org ads b do 242 ads b do 260 1090mhz s ads b

**terms of reference special committee sc 222 ams r s systems rtca** - Jan 13 2023

web may 17 2022 for aviation as specified by do 262 do 343 and annex 10 of the icao sarps rtca sc 222 is a joint committee with euro cae working group 82 wg 82 and they have jointly develop satcom performance class bed functional and required

communication technical performance including atn ips also while addressing related

**rtca do 242 minimum aviation system** - Apr 16 2023

web jun 25 2002 rtca do 242 revision a june 25 2002 minimum aviation system performance standards for automatic dependent surveillance broadcast ads b this document supersedes do 242 and provides an up to date view of the system wide operational use of ads b this revised ads b masps concentrates

*rtca do 260a1090mhz es* □□□□ - Apr 04 2022

web federal aviation administration 6 ftso c166 changes to do 260 sheet 1 of 2 changes to the air ground determination to correct errors discovered during icao review of draft uat sarps identical changes also made in asa masps do 289 and uat mops do 282a

**do 260a 1090 mhz es federal aviation administration home** - Jun 06 2022

web nov 18 2012 on april 10 2003 rtca published rtca strong do strong strong 260a strong as the update to br the *a timeline of the history of environmental science sutori* - Aug 15 2023

web this is a timeline of the history of environmental science in america for the boy scout environmental science merit badge by bear nikitchyuk troop 770 newtown ct american indians used forests and environmental resources before settlers arrived in america to make shelter transportation and

**timeline for environmental science boy scout contribution** - Jul 02 2022

web this timeline for environmental science boy scout contribution can be taken as well as picked to act the origin and history of the english language george perkins marsh 1892 the maine woods henry david thoreau 1884 what to do and how to do it daniel carter beard 1890 a manual of pastimes which includes instructions for making kites

*timeline for environmental science boy scout contribution* - Apr 30 2022

web timeline for environmental science boy scout contribution downloaded from test downing co uk by guest andrew ponce cape cod pan macmillan the post apocalyptic modern classic with an introduction by novelist john banville in a burned out america a father and his young son walk under a darkened sky heading slowly for the

**environmental science freeservers** - Sep 04 2022

web make a timeline of the history of environmental science in america identify the contribution made by the boy scouts of america to environmental science include dates names of people or organizations and important events 2

environmental science scouting wire - May 12 2023

web 1 make a timeline of the history of environmental science in america identify the contribution made by the boy scouts of america to environmental science include dates names of people or organizations and important events 2 define the following terms population community eco system biosphere symbiosis niche habitat

environmental science merit badge u s scouting service project - Oct 05 2022

web jan 1 2023 make a timeline of the history of environmental science in america identify the contribution made by the boy scouts of america to environmental science include dates names of people or organizations and important events

timeline for environmental science boy scout contribution - Jan 28 2022

web june 20th 2018 environmental science merit badge requirements make a timeline of the history of environmental science in america identify the contribution made by the boy scouts of america to environmental science toyota usa

conservation and environment boy scouts of america - Feb 26 2022

web awards and recognition conservation resources national conservation training opportunities national high adventure base conservation opportunities bsa distinguished conservation service award program since 1910 conservation and environmental studies have been an integral part of the boy scouts of america scouts have rendered

*timeline for environmental science boy scout contribution pdf* - Dec 07 2022

web timeline for environmental science boy scout contribution a primer for environmental literacy dec 16 2020 this broad ranging book presents the key concepts of environmental science in an accessible style that can be understood by those who are not natural scientists it offers a

*timeline for environmental science boy scout contribution* - Dec 27 2021

web this report evaluates the state of the science on biological and psychosocial consequences of peer victimization and the risk and protective factors that either increase or decrease peer

*environmental science meritbadgevideos* - Mar 30 2022

web feb 22 2020 make a timeline of the history of environmental science in america identify the contribution made by the boy scouts of america to environmental science include dates names of people or organizations and important events

environmental science scouterlife - Mar 10 2023

web make a timeline of the history of environmental science in america identify the contribution made by the boy scouts of america to environmental science include dates names of people or organizations and important events define the following terms population community ecosystem biosphere symbiosis niche habitat conservation

*timeline for environmental science boy scout contribution* - Aug 03 2022

web timeline for environmental science boy scout contribution if you ally craving such a referred timeline for environmental science boy scout contribution books that will come up with the money for you worth get the utterly best seller from us currently from several preferred authors

*environmental science merit badge and worksheet resources for scouts* - Jun 13 2023

web requirements for the environmental science merit badge make a timeline of the history of environmental science in

america identify the contribution made by the boy scouts of america to environmental science include dates names of people or organizations and important events

**timeline for environmental science boy scout contribution** - Nov 06 2022

web june 22nd 2018 make a timeline of the history of environmental science in america identify the contribution made by the boy scouts of america to environmental science environmental science merit badge boy scout trail

**timeline for environmental science boy scout contribution pdf** - Jan 08 2023

web timeline for environmental science boy scout contribution pdf pages 3 13 timeline for environmental science boy scout contribution pdf upload betty q williamson 3 13 downloaded from support ortax org on september 7 2023 by betty q williamson planet such a view necessitates top down interventions which scruton contends are

**the environmental science merit badge your ultimate guide in** - Jul 14 2023

web what are the environmental science merit badge requirements make a timeline of the history of environmental science in america identify the contribution made by the boy scouts of america to environmental science include dates names of people or organizations and important events

reference com - Jun 01 2022

web reference com

**pdf timeline for environmental science boy scout contribution** - Feb 09 2023

web timeline for environmental science boy scout contribution itzl alert network tuesday 5th of september 2023 a reading list daily kos sep 11 2018 itzl alert network tuesday 5th of september 2023 a reading list daily kos join the eagle scout legacy society the hawk eye burlington mississippi valley publishing mar 02

**timeline for environmental science boy scout contribution 2023** - Apr 11 2023

web timeline for environmental science boy scout contribution na fianna Éireann and the irish revolution 1909 23 jan 03 2022 this book examines the early history of the irish nationalist youth organisation na fianna Éireann and its notable contribution to the irish revolution in the period 1909 23 hearings jun 15 2020

*renouveler un passeport anglais en france passport photo* - Feb 18 2022

web obtenir une copie intégrale d acte de naissance carte d identité allongement de la durée de validité 10 5 suivre l état de votre demande de passeport connaître les horaires

*passeport anglais lv1 de la 5e à la 4e 12 13 ans o* - Feb 01 2023

web un an de nouveautés passeport anglais lv1 de la 3e a la 2de 14 15 ans downloaded from smtp ablogtowatch com by guest demarcus rodney understanding your

*passeport anglais lv1 de la 3e à la 2de 14 15 ans ou* - Oct 09 2023

web may 6 2003 passeport anglais lv1 de la 3e à la 2de 14 15 ans ou anglais lv2 de la 1ère à la terminale 16 17 ans corrigé  
passeport hachette on amazon com

**du passeport traduction en anglais reverso context** - Nov 17 2021

*passeport anglais lv1 de la 3e a la 2de 14 15 ans ou anglais* - Aug 27 2022

web aug 23 2023 passeport anglais lv1 de la 3e à la 2de 14 15 ans ou anglais lv2 de la 1ère à la terminale 16 17 ans corrigé  
by passeport hachette description read

passeport anglais lv1 de la 3e à la 2de 14 15 ans ou anglais - Sep 27 2022

web getting this info get the passeport anglais lv1 de la 3e a la 2de 14 15 ans associate that we find the money for here and  
check out the link you could buy guide passeport

**passeport britannique wikipédia** - Apr 22 2022

web jun 22 2023 la règle stipule que votre passeport doit être valable 6 mois avant votre départ ainsi si votre passeport n a  
pas au moins 6 mois de validité il est préférable de

**passeport anglais lv1 de la 4e à la 3e 13 14 ans** - Jun 05 2023

web jun 6 2023 passeport anglais lv1 de la 4e à la 3e 13 14 ans ou anglais lv2 de la 2de à la 1ère 15 16 ans corrigé by  
passeport hachette avvu com tr 2 5

*passeport anglais lv1 de la 3e a la 2de 14 15 ans pdf* - Oct 29 2022

web passeport anglais lv1 de la 3e a la 2de 14 15 ans ou anglais lv2 lv2 de la 1ere a la terminale 16 17 ans corrige  
seriesonlinegratis me 46 95 ditions hatier new

**passeport anglais lv1 de la 3e à la 2de 14 15 ans ou anglais** - Sep 08 2023

web abebooks com passeport anglais lv1 de la 3e à la 2de 14 15 ans ou anglais lv2 de la 1ère à la terminale 16 17 ans corrigé  
9782011681898 by passeport

**télécharger passeport anglais lv1 de la 3e à la 2de 14 15** - Mar 02 2023

web retrouvez tous les prix détails et informations sur passeport anglais lv1 de la 4e à la 3e 13 14 ans ou anglais lv2 de la  
2de à la 1ère 15 16 ans corrigé

passeport anglais lv1 de la 3e a la 2de 14 15 ans teddy - Jul 06 2023

web passeport anglais lv1 de la 3e à la 2de 14 15 ans ou anglais lv2 de la 1ère à la terminale 16 17 ans corrigé by passeport  
hachette and a great selection of related

*passeport anglais lv1 de la 4e à la 3e 13 14 ans ou anglais lv2* - Dec 31 2022

web passeport anglais lv1 de la 3e a la 2de 14 15 ans omb no edited by joel herring what was the underground railroad john

wiley sons les sujets d anglais tombés

**passport anglais lv1 de la 3e a la 2de 14 15 ans** - Jul 26 2022

web [passport anglais lv1 de la 3e a la 2de 14 15 ans 3 3 french range academia europea di bolzano](#) this book traces the history of english language teaching right up to

**passport anglais lv1 de la 3e à la 2de 14 15 ans ou** - Aug 07 2023

web to begin getting this info acquire the [passport anglais lv1 de la 3e a la 2de 14 15 ans](#) connect that we provide here and check out the link you could purchase guide

[anglais lv1 2de by passport hachette abebooks](#) - May 04 2023

web téléchargez ce livre [passport anglais lv1 de la 3e à la 2de 14 15 ans ou anglais lv2 de la 1ère à la terminale 16 17 ans](#) corrigé spécialement en ligne aujourd'hui

[passport anglais lv1 de la 3e a la 2de 14 15 ans pdf](#) - Nov 29 2022

web sep 20 2023 april 20th 2020 [passport anglais lv1 de la 3e à la 2de 14 15 ans ou anglais lv2 de la 1ère à la terminale 16 17 ans](#) corrigé hachette education isbn

*voire [passport pour voyager en angleterre que faut il retenir](#)* - Jan 20 2022

web traductions en contexte de du [passport en français anglais avec reverso](#) context numéro du [passport copie du](#) [passport traduction context correcteur synonymes](#)

[passport anglais lv1 de la 3e a la 2de 14 15 ans 2023](#) - May 24 2022

web [passport anglais lv1 de la 3e a la 2de 14 15 ans](#) downloaded from ftp bonide com by guest ashley joel [disinventing and reconstituting languages oxford university](#)

**passport anglais lv1 de la 4e à la 3e 13 14 ans ou anglais** - Apr 03 2023

web [passport anglais lv1 de la 5e à la 4e 12 13 ans ou anglais lv2 de la 3e à la 2de 14 15 ans](#)

**passport anglais lv1 de la 3e à la 2de 14 15 ans ou anglais** - Jun 24 2022

web le [passport britannique en anglais british passport](#) est un document de voyage international délivré aux ressortissants britanniques aux sujets britanniques et aux

[passport anglais lv1 de la 3e a la 2de 14 15 ans ftp bonide](#) - Mar 22 2022

web il est donc nécessaire de vous rendre en angleterre avec un [passport](#) ou une [carte d identité en cours de validité](#) pendant toute la durée de votre séjour ces deux

[passport et carte d identité la france au royaume uni](#) - Dec 19 2021