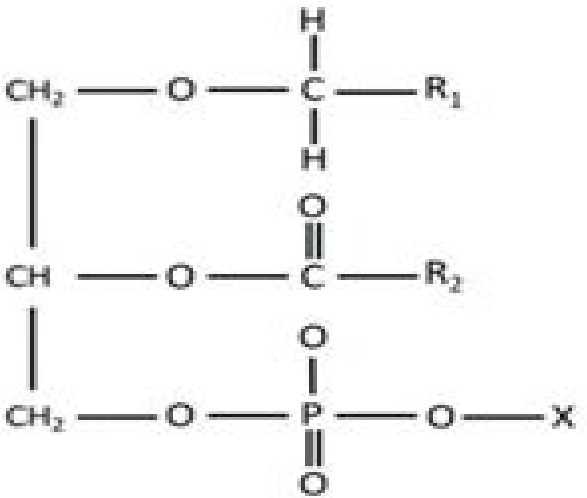
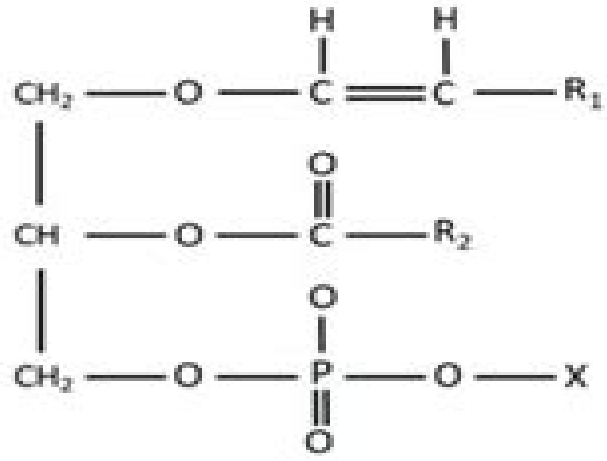


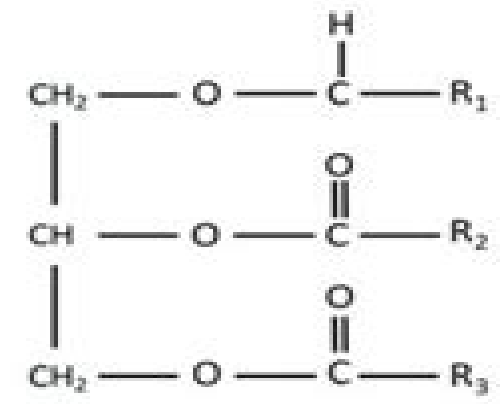
Ether Lipids



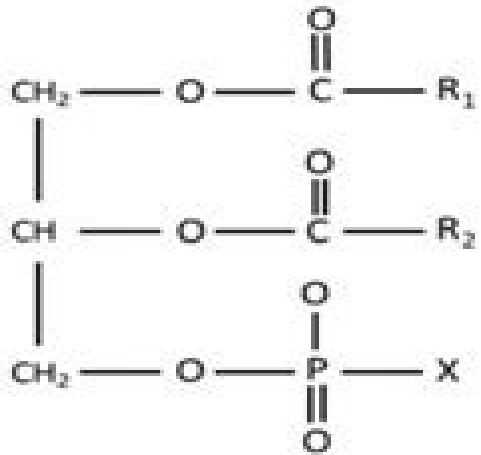
Alkyl-phospholipid



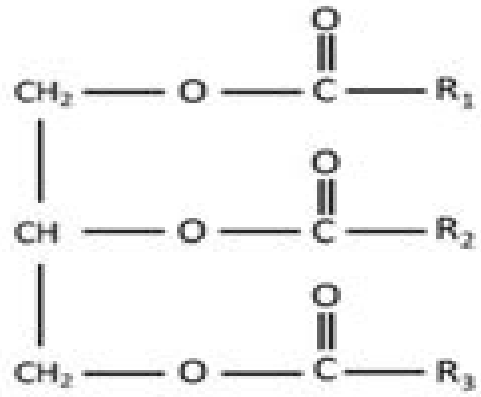
Alkenyl-phospholipid
[Plasmalogen]



Mono-alkyl-diacylglycerol
[TG(O)]



Diacyl Phospholipid



Triacylglycerol
[TG]

Chemical Synthesis Of Ether Lipids

S Marginson



Chemical Synthesis Of Ether Lipids:

Fuel your quest for knowledge with Authored by is thought-provoking masterpiece, Explore **Chemical Synthesis Of Ether Lipids** . This educational ebook, conveniently sized in PDF (Download in PDF: *), is a gateway to personal growth and intellectual stimulation. Immerse yourself in the enriching content curated to cater to every eager mind. Download now and embark on a learning journey that promises to expand your horizons. .

https://gandalf.roeckerfam.com/book/publication/index.jsp/Classic_Brain_Twisters.pdf

Table of Contents Chemical Synthesis Of Ether Lipids

1. Understanding the eBook Chemical Synthesis Of Ether Lipids
 - The Rise of Digital Reading Chemical Synthesis Of Ether Lipids
 - Advantages of eBooks Over Traditional Books
2. Identifying Chemical Synthesis Of Ether Lipids
 - Exploring Different Genres
 - Considering Fiction vs. Non-Fiction
 - Determining Your Reading Goals
3. Choosing the Right eBook Platform
 - Popular eBook Platforms
 - Features to Look for in an Chemical Synthesis Of Ether Lipids
 - User-Friendly Interface
4. Exploring eBook Recommendations from Chemical Synthesis Of Ether Lipids
 - Personalized Recommendations
 - Chemical Synthesis Of Ether Lipids User Reviews and Ratings
 - Chemical Synthesis Of Ether Lipids and Bestseller Lists
5. Accessing Chemical Synthesis Of Ether Lipids Free and Paid eBooks
 - Chemical Synthesis Of Ether Lipids Public Domain eBooks
 - Chemical Synthesis Of Ether Lipids eBook Subscription Services
 - Chemical Synthesis Of Ether Lipids Budget-Friendly Options

6. Navigating Chemical Synthesis Of Ether Lipids eBook Formats
 - ePub, PDF, MOBI, and More
 - Chemical Synthesis Of Ether Lipids Compatibility with Devices
 - Chemical Synthesis Of Ether Lipids Enhanced eBook Features
7. Enhancing Your Reading Experience
 - Adjustable Fonts and Text Sizes of Chemical Synthesis Of Ether Lipids
 - Highlighting and Note-Taking Chemical Synthesis Of Ether Lipids
 - Interactive Elements Chemical Synthesis Of Ether Lipids
8. Staying Engaged with Chemical Synthesis Of Ether Lipids
 - Joining Online Reading Communities
 - Participating in Virtual Book Clubs
 - Following Authors and Publishers Chemical Synthesis Of Ether Lipids
9. Balancing eBooks and Physical Books Chemical Synthesis Of Ether Lipids
 - Benefits of a Digital Library
 - Creating a Diverse Reading Collection Chemical Synthesis Of Ether Lipids
10. Overcoming Reading Challenges
 - Dealing with Digital Eye Strain
 - Minimizing Distractions
 - Managing Screen Time
11. Cultivating a Reading Routine Chemical Synthesis Of Ether Lipids
 - Setting Reading Goals Chemical Synthesis Of Ether Lipids
 - Carving Out Dedicated Reading Time
12. Sourcing Reliable Information of Chemical Synthesis Of Ether Lipids
 - Fact-Checking eBook Content of Chemical Synthesis Of Ether Lipids
 - Distinguishing Credible Sources
13. Promoting Lifelong Learning
 - Utilizing eBooks for Skill Development
 - Exploring Educational eBooks
14. Embracing eBook Trends
 - Integration of Multimedia Elements

- Interactive and Gamified eBooks

Chemical Synthesis Of Ether Lipids Introduction

Chemical Synthesis Of Ether Lipids Offers over 60,000 free eBooks, including many classics that are in the public domain. Open Library: Provides access to over 1 million free eBooks, including classic literature and contemporary works. Chemical Synthesis Of Ether Lipids Offers a vast collection of books, some of which are available for free as PDF downloads, particularly older books in the public domain. Chemical Synthesis Of Ether Lipids : This website hosts a vast collection of scientific articles, books, and textbooks. While it operates in a legal gray area due to copyright issues, its a popular resource for finding various publications. Internet Archive for Chemical Synthesis Of Ether Lipids : Has an extensive collection of digital content, including books, articles, videos, and more. It has a massive library of free downloadable books. Free-eBooks Chemical Synthesis Of Ether Lipids Offers a diverse range of free eBooks across various genres. Chemical Synthesis Of Ether Lipids Focuses mainly on educational books, textbooks, and business books. It offers free PDF downloads for educational purposes. Chemical Synthesis Of Ether Lipids Provides a large selection of free eBooks in different genres, which are available for download in various formats, including PDF. Finding specific Chemical Synthesis Of Ether Lipids, especially related to Chemical Synthesis Of Ether Lipids, might be challenging as theyre often artistic creations rather than practical blueprints. However, you can explore the following steps to search for or create your own Online Searches: Look for websites, forums, or blogs dedicated to Chemical Synthesis Of Ether Lipids, Sometimes enthusiasts share their designs or concepts in PDF format. Books and Magazines Some Chemical Synthesis Of Ether Lipids books or magazines might include. Look for these in online stores or libraries. Remember that while Chemical Synthesis Of Ether Lipids, sharing copyrighted material without permission is not legal. Always ensure youre either creating your own or obtaining them from legitimate sources that allow sharing and downloading. Library Check if your local library offers eBook lending services. Many libraries have digital catalogs where you can borrow Chemical Synthesis Of Ether Lipids eBooks for free, including popular titles. Online Retailers: Websites like Amazon, Google Books, or Apple Books often sell eBooks. Sometimes, authors or publishers offer promotions or free periods for certain books. Authors Website Occasionally, authors provide excerpts or short stories for free on their websites. While this might not be the Chemical Synthesis Of Ether Lipids full book , it can give you a taste of the authors writing style. Subscription Services Platforms like Kindle Unlimited or Scribd offer subscription-based access to a wide range of Chemical Synthesis Of Ether Lipids eBooks, including some popular titles.

FAQs About Chemical Synthesis Of Ether Lipids Books

What is a Chemical Synthesis Of Ether Lipids PDF? A PDF (Portable Document Format) is a file format developed by Adobe that preserves the layout and formatting of a document, regardless of the software, hardware, or operating system used to view or print it. **How do I create a Chemical Synthesis Of Ether Lipids PDF?** There are several ways to create a PDF: Use software like Adobe Acrobat, Microsoft Word, or Google Docs, which often have built-in PDF creation tools. Print to PDF: Many applications and operating systems have a "Print to PDF" option that allows you to save a document as a PDF file instead of printing it on paper. Online converters: There are various online tools that can convert different file types to PDF. **How do I edit a Chemical Synthesis Of Ether Lipids PDF?** Editing a PDF can be done with software like Adobe Acrobat, which allows direct editing of text, images, and other elements within the PDF. Some free tools, like PDFescape or Smallpdf, also offer basic editing capabilities. **How do I convert a Chemical Synthesis Of Ether Lipids PDF to another file format?** There are multiple ways to convert a PDF to another format: Use online converters like Smallpdf, Zamzar, or Adobe Acrobats export feature to convert PDFs to formats like Word, Excel, JPEG, etc. Software like Adobe Acrobat, Microsoft Word, or other PDF editors may have options to export or save PDFs in different formats. **How do I password-protect a Chemical Synthesis Of Ether Lipids PDF?** Most PDF editing software allows you to add password protection. In Adobe Acrobat, for instance, you can go to "File" -> "Properties" -> "Security" to set a password to restrict access or editing capabilities. Are there any free alternatives to Adobe Acrobat for working with PDFs? Yes, there are many free alternatives for working with PDFs, such as: LibreOffice: Offers PDF editing features. PDFsam: Allows splitting, merging, and editing PDFs. Foxit Reader: Provides basic PDF viewing and editing capabilities. How do I compress a PDF file? You can use online tools like Smallpdf, ILovePDF, or desktop software like Adobe Acrobat to compress PDF files without significant quality loss. Compression reduces the file size, making it easier to share and download. Can I fill out forms in a PDF file? Yes, most PDF viewers/editors like Adobe Acrobat, Preview (on Mac), or various online tools allow you to fill out forms in PDF files by selecting text fields and entering information. Are there any restrictions when working with PDFs? Some PDFs might have restrictions set by their creator, such as password protection, editing restrictions, or print restrictions. Breaking these restrictions might require specific software or tools, which may or may not be legal depending on the circumstances and local laws.

Find Chemical Synthesis Of Ether Lipids :

classic brain twisters

clarice cliff the art of bizarre

class and community in frontier colorado

classic marques mustang

classical rome the complete walking tour

classical sequences in banach spaces

~~classic rock guitar soloing~~

classical ornament of the eighteenth century dover pictorial archive series

classroom management and discipline.

classic motorcycles in new zealand

classroom ideas from research on secondary school mathematics

classical themes for electric guitar bk/cd

~~classroom activities for correcting specific reading problems~~

clablic days at pokeweed public school a collection of elementary tales

class action the landmark case that changed sexual harassment library edition

Chemical Synthesis Of Ether Lipids :

descargar pdf solo 3 segundos patricia a miller gratis - Mar 20 2022

web descargar el accidente que se llevó a su amiga rachel y que la condenó con solo diecisiete años continúa convirtiendo la vida de pearl bennett en un infierno

descargar solo 3 segundos pdf y epub al dia libros - Sep 25 2022

web solo 3 segundos de patricia a miller hace algunos años que pearl no es la misma y es que aquel accidente en el que su amiga rachel perdió la vida sigue marcando su futuro porque no puede olvidarse de lo ocurrido

reseña solo tres segundos cosmos literario - Oct 27 2022

web jul 29 2015 título solo tres segundos autora paula bombara editorial norma zona libre páginas 180 autoconclusivo y lo que estoy pensando es que los accidentes existen así como existen los nacimientos y las muertes

solo 3 segundos novela de paula bombara docsity - Feb 16 2022

web oct 14 2019 solo 3 segundos novela de paula bombara resúmenes de literatura contemporánea universidad nacional de general san martín literatura contemporánea 20 puntos descarga 8 páginas 4 resumen de la obra y bibliografía de la novelista vista previa subido el 14 10 2019 lamanodios 175 valoraciones 1292 documentos

solo tres segundo paula bombara libro completo - Apr 20 2022

web solo tres segundos paula bombara Índice primera parte 9 nicolás segunda parte 97 felicitas solo tres segundos en el

espacio azul iluminado tres para buscarse dos para encontrarse uno para apretar los párpados y aun así verse solo tres segundos antes del impacto luego blanco y ruido

resumen cuento solo tres segundos 611 palabras - Jun 22 2022

web resumen cuento solo tres segundos autor ra paula bombara personajes nicolás felicitas rodrigo zoe leopoldo pilu sol matías julieta primera parte nicolás nicolás un muchacho de 16 años debe rendir una materia para seguir en su colegio ese colegio al cual fue toda su familia le va mal y queda expulsado

solo tres segundos paula bombara - Sep 06 2023

web solo tres segundos norma 184 páginas isbn 9789875452466 escribir esta novela fue muy doloroso la idea surgió a partir de un testimonio que vi por la tele en 2008 el rostro de una joven que había perdido a sus amigos en un accidente en san fernando

reseña de la obra solo tres segundos studocu - Jan 30 2023

web reseña de la obra solo tres segundos titulo de la obra solo tres segundos autor paula bombara editorial grupo editorial norma año 2011 pais argentina

solo tres segundos by paula bombara goodreads - Apr 01 2023

web apr 13 2011 solo tres segundos es una novela escrita por la escritora y bioquímica argentina paula bombara se publicó por primera vez en 2011 siendo la misma su quinto libro la historia nos habla sobre un grupo de siete amigos en la adolescencia

pdf sólo tres segundos free download pdf - Oct 07 2023

web download sólo tres segundos free in pdf format account 52 167 144 13 login register search search partner sites youtube to mp3 converter about us this project started as a student project in 2014 and was presented in 2017 every aspect of the internet we believe ought to be free as a consequence this utility was developed for free

solo tres segundos mejor en verde - Dec 29 2022

web descripción en solo tres segundos la vida de los dos adolescentes protagonistas de esta novela de paula bombara se trunca la de nicolás porque fallece en un accidente de coche la de felicitas porque sobrevive al mismo

bombara paula solo tres segundos free download pdf - Aug 05 2023

web mar 14 2020 solo tres segundos en el espacio azul iluminado tres para buscarse dos para encontrarse uno para apretar los párpados y aun así verse solo tres segundos antes del impacto luego blanco y ruido ruido ruido ruido en el espacio azul iluminado primera parte nicolás 1 afuera brilla el sol sol de febrero febrero en la ciudad

solo 3 segundos youtube - Jul 24 2022

web about press copyright contact us creators advertise developers terms privacy policy safety how youtube works test new

features press copyright contact us creators

solo 3 segundos en libro y audiolibro - Nov 27 2022

web el libro solo 3 segundos fue escrito por patricia a miller y es una obra que aborda el tema de la violencia de género la autora quien es psicóloga y terapeuta utiliza su experiencia profesional para ofrecer una visión profunda y

solo 3 segundos versión kindle amazon es - Feb 28 2023

web solo 3 segundos sensible dura a veces cómica a veces imposible así es la vida de pearl bennett la entrenadora de baloncesto del colegio público de lakewood ohio ha decidido olvidarse de sus desgracias para centrar la atención en los chicos y chicas del equipo porque ellos lo necesitan

3 segundos single by carlos maestro spotify - Aug 25 2022

web listen to 3 segundos on spotify carlos maestro single 2020 1 songs

descargar solo 3 segundos libros gratis en pdf epub - May 22 2022

web el peso de una misa the weight of the mass descargar libro solo 3 segundos el accidente que se llevó a su amiga rachel y que la condenó con solo diecisiete años continúa convirtiendo la vida de pearl bennett en un infierno

solo tres segundos normainfantilyjuvenil com - Jun 03 2023

web solo tres segundos paula bombara adolescencia amistad escuela muerte realista sinopsis ficha técnica recursos 2 comentarios un grupo de adolescentes que termina el colegio secundario y se prepara para el resto de sus vidas sin pensar que un accidente automovilístico puede cambiar todos sus planes de un día para el otro

solo tres segundos paula bombara - May 02 2023

web solo tres segundos paula bombara acerca de la obra acerca de la obra nicolás es un adolescente de 16 años que ha reprobado el año y debe cambiar de escuela se siente culpable de haber decepcionado a sus padres y teme

solo 3 segundos miller patricia a amazon com tr kitap - Jul 04 2023

web arama yapmak istediğiniz kategoriye seçin

cmos analog circuit design allen holberg 3rd edition - Apr 29 2022

web this chapter gives an overview of the subject of cmos analog circuit design defines notation and convention makes a brief survey of analog signal processing and gives an

cmos analog circuit design hardcover phillip e allen - Oct 16 2023

web aug 5 2011 description respected authors phil allen and doug holberg bring you the third edition of their popular textbook cmos analog circuit design working from the

holberg - Jul 13 2023

web the book provides detailed coverage of often neglected areas and deliberately leaves out bipolar analog circuits since

cmos is the dominant technology for analog integrated

cmos analog circuit design phillip e allen douglas r holberg - Dec 06 2022

web respected authors phil allen and doug holberg bring you the international third edition of their popular textbook cmos analog circuit design working from the forefront of

lecture 01 introduction to cmos analog circuit - Nov 05 2022

web aug 5 2011 overview respected authors phil allen and doug holberg bring you the third edition of their popular textbook cmos analog circuit design working from the

cmos analog circuit design by p e allen open library - May 31 2022

web cmos analog circuit design p allen d holberg published 1987 computer science engineering physics view via publisher save to library create alert cite 2 781 citations

allen holberg cmos analog circuit design second edition - Mar 29 2022

web apr 16 2019 allen holberg cmos analog circuit design second edition solution topics cmos allen collection opensource language english cmos circuit

cmos analog circuit design international edition oxford - Mar 09 2023

web jul 1 2012 buy cmos analog circuit design phillip e allen douglas r holberg 3 by allen p e isbn 9780199937424 from amazon s book store everyday low prices

cmos analog circuit design allen phillip e holberg douglas - Sep 03 2022

web feb 3 2023 by p e allen respected authors phil allen and doug holberg bring you the third edition of their popular textbook cmos analog circuit design working from

[cmos analog circuit design phillip e allen douglas r](#) - May 11 2023

web mar 10 2013 electrical and electronics engineering respected authors phil allen and doug holberg bring you the third edition of their popular textbook cmos analog circuit

[cmos analog circuit design by phillip e allen open library](#) - Jul 01 2022

web it is important that the designer realize that there are simply three outputs of the electrical design of cmos analog circuits they are 1 a schematic of the circuit 2 de currents

[cmos analog circuit design phillip e allen douglas r](#) - Oct 04 2022

web cmos analog circuit design by phillip e allen douglas r holberg and allen 0 ratings 1 want to read 0 currently reading 0 have read this edition doesn t have a description

cmos analog circuit design by allen phillip e - Aug 14 2023

web jan 15 2002 after years of anticipation respected authors phil allen and doug holberg bring you the second edition of

their popular textbook cmos analog circuit design

[cmos analog circuit design edition 3 by phillip e allen](#) - Aug 02 2022

web cmos analog circuit design allen holberg 3rd edition trade offs in analog circuit design oct 02 2022 as the frequency of communication systems increases and the

cmos analog circuit design semantic scholar - Jan 27 2022

cmos analog circuit design by phillip e allen - Jan 07 2023

web this text presents the principles and techniques for designing analog circuits to be implemented in a cmos technology the level is appropriate for seniors and graduate

allen holberg cmos analog circuit design second edition solution - Nov 24 2021

cmos analog circuit design by allen holberg - Feb 25 2022

cmos analog circuit design allen holberg amazon com au - Apr 10 2023

web cmos analog circuit design international edition phillip e allen douglas r holberg about the book to find out more and read a sample chapter see the catalogue teaching

cmos analog circuit design allen phillip e holberg douglas - Jun 12 2023

web respected authors phil allen and doug holberg bring you the third edition of their popular textbook cmos analog circuit design working from the forefront of cmos

cmos analog circuit design international edition oxford - Feb 08 2023

web 1 p e allen and d r holberg cmos analog circuit design 3rd ed oxford university press 2012 2 p r gray p j hurst s h lewis and r g meyer analysis and design

cmos analog circuit design phillip e allen robert dobkin - Sep 15 2023

web cmos analog circuit design phillip e allen robert dobkin douglas r holberg elsevier 2011 amplifiers radio frequency 932 pages respected authors phil allen

[cmos analog circuit design iczhiku com](#) - Dec 26 2021

msbte syllabus for diploma in electrical engineering 5th semester - Feb 08 2023

web msbte syllabus for diploma in electrical engineering 5th semester school of electrical and electronic engineering ntu singapore mar 28 2023 web ntu school of electrical and electronic engineering ntu eee is one of the largest and most highly

ranked schools in the world with over 3 000 undergraduate students and 1 000 graduate students it

specialist diploma in electrical engineering auston - Sep 15 2023

web our electrical engineering diploma specialist diploma in electrical engineering less than 12 months pathway to evening classes available enquire now this is a diploma with both traditional analogue and digital power principles and is designed for o level and nitec holders to become qualified for entry and junior roles in the

diploma fifth semester questions paper mechanical bing 2022 - Jul 01 2022

web diploma fifth semester questions paper mechanical bing diploma fifth semester questions paper mechanical bing downloaded from stage gapinc com by guest diploma fifth semester questions paper mechanical bing 3 3 of 5th sem electrical question paper of theory of machines 2019 diploma polytechnic 5th semester 3rd

diploma electrical 5th semester bing pdf solutions milnerbrowne - Mar 29 2022

web 4 diploma electrical 5th semester bing 2022 01 23 provide for the care and the education of young children bear a great responsibility for their health development and learning despite the fact that they share the same objective to nurture young children and secure their future success the various practitioners who contribute to the care

diploma fifth semester questions paper mechanical bing 2023 - Apr 29 2022

web 2020 diploma how to download question bank of 5th sem electrical question paper of theory of machines 2019 diploma polytechnic 5th semester 3rd year 3rd semester civil diploma surveying question paper 2016 model question paper b pharmacy 5th sem pharmacognosy unit 03 gpat niper pharmacist di exam

diploma electrical 5th semester bing pdf lfe - Nov 05 2022

web diploma electrical 5th semester bing omb no edited by cabrera ronnie handbook on data centers one world children are already learning at birth and they develop and learn at a rapid pace in their early years this provides a

diploma in electrical engineering 5th sem pdf - May 31 2022

web diploma in electrical engineering 5th sem 9 9 students of all branches and eminently suited as a textbook for the students of b e b tech amie and diploma courses in electrical engineering besides this the book would also be appreciated by all those students who are preparing for gate and upsc competitive examinations as well as by

msbte syllabus for diploma in electrical engineering 5th semester - Apr 10 2023

web 2 msbte syllabus for diploma in electrical engineering 5th semester 2022 04 09 syllabus 2018 for diploma in civil mechanical join our diploma engineering classes and pass in all subjects to build a good first impression inquire now and get our diploma engineering syllabus

diploma in electrical engineering colleges syllabus distance - May 11 2023

web diploma in electrical engineering admission process in the last time of the 5th semester or ending of the 5th semester

exam your placement will start entering your campus a very decent company is coming to take part in this campus which will offer a ctc of 15k salary and which is the average salary

[msbte syllabus for diploma in electrical engineering 5th semester](#) - Dec 06 2022

web msbte syllabus for diploma in electrical engineering 5th semester msbte syllabus for diploma in electrical engineering 5th semester 2 downloaded from pivotid uvu edu on 2020 10 06 by guest adequate number of simple examples with which the students are familiar are included in each chapter in addition each chapter contains

[diploma in electrical electronic engineering course](#) - Oct 16 2023

web oct 17 2023 education guide explore courses primary secondary pre university applied learning modules adults and tertiary students know yourself singapore industry landscape learn about job roles

diploma in electrical engineering technology psb academy - Jun 12 2023

web electrical engineering technologists provide technical support and services in the design development testing production and operation of electrical and electronic equipment and systems they are employed by electrical utilities communications companies manufacturers of electrical and electronic equipment consulting firms government

diploma in electrical engineering singapore global - Aug 14 2023

web overview this modular certificate course is presented through lectures and practical sessions participants will undergo a structured 12 month programme over two semester periods conceptual knowledge and principles are presented in lectures while mini projects reinforce the understanding learning outcomes are tested by way of written

[free diploma electrical 5th semester bing](#) - Jan 07 2023

web diploma electrical 5th semester bing bloomsbury an activity based integrated course class 5 semester 1 ay 2023 24 onward aug 07 2023 bloomsbury an activity based integrated course for lkg ukg and classes 1 to 5 has been designed and formulated in accordance with the guidelines of national education policy nep

[diploma in electrical and electronics engineering](#) - Jul 13 2023

web the diploma in electrical and electronics engineering deee is designed for technical aspirants working in the electrical and or electronics industry who are looking to upgrade their skills and knowledge in the area of electrical and electronics and related concepts

diploma electrical 5th semester bing 2023 sexybots com - Aug 02 2022

web as review diploma electrical 5th semester bing what you subsequently to read pre incident indicators of terrorist incidents brent l smith 2011 01 this is a print on demand edition of a hard to find publication explores whether sufficient data exists to examine the temporal and spatial relationships that existed in terrorist group

msbte syllabus for diploma in electrical engineering 5th semester - Oct 04 2022

web the 1st edition of book entitled design of machine elements for iird year diploma semester vi in diploma in mechanical engineering group as per the syllabus prescribed by sbte we have observed the students facing extreme difficulties in understanding the basic principles and fundamental

diploma in electrical engineering jobs in singapore jobsdb - Mar 09 2023

web electrical engineer associate no need experience diploma in electrical mechanical engineering up 3 2k hjc recruit express singapore 2 500 3 200 per month singapore posted oct 22 2023 job description plan and co ordinate weekly monthly production and manpower schedules

diploma electrical 5th semester bing pdf mucho goldenpalace - Sep 03 2022

web 2 diploma electrical 5th semester bing 2022 07 20 analyzes the effects of new technologies on human rights with a particular focuse on how representations of technology affect our ability to understand and control it intelligent and

diploma electrical 5th semester bing 2023 store spiralny - Feb 25 2022

web 4 diploma electrical 5th semester bing 2023 07 05 twenty three year old august moving to new york city is supposed to prove her right that things like magic and cinematic love stories don t exist and the only smart way to go through life is alone she can t imagine how waiting tables at a 24 hour pancake diner and moving in with too many