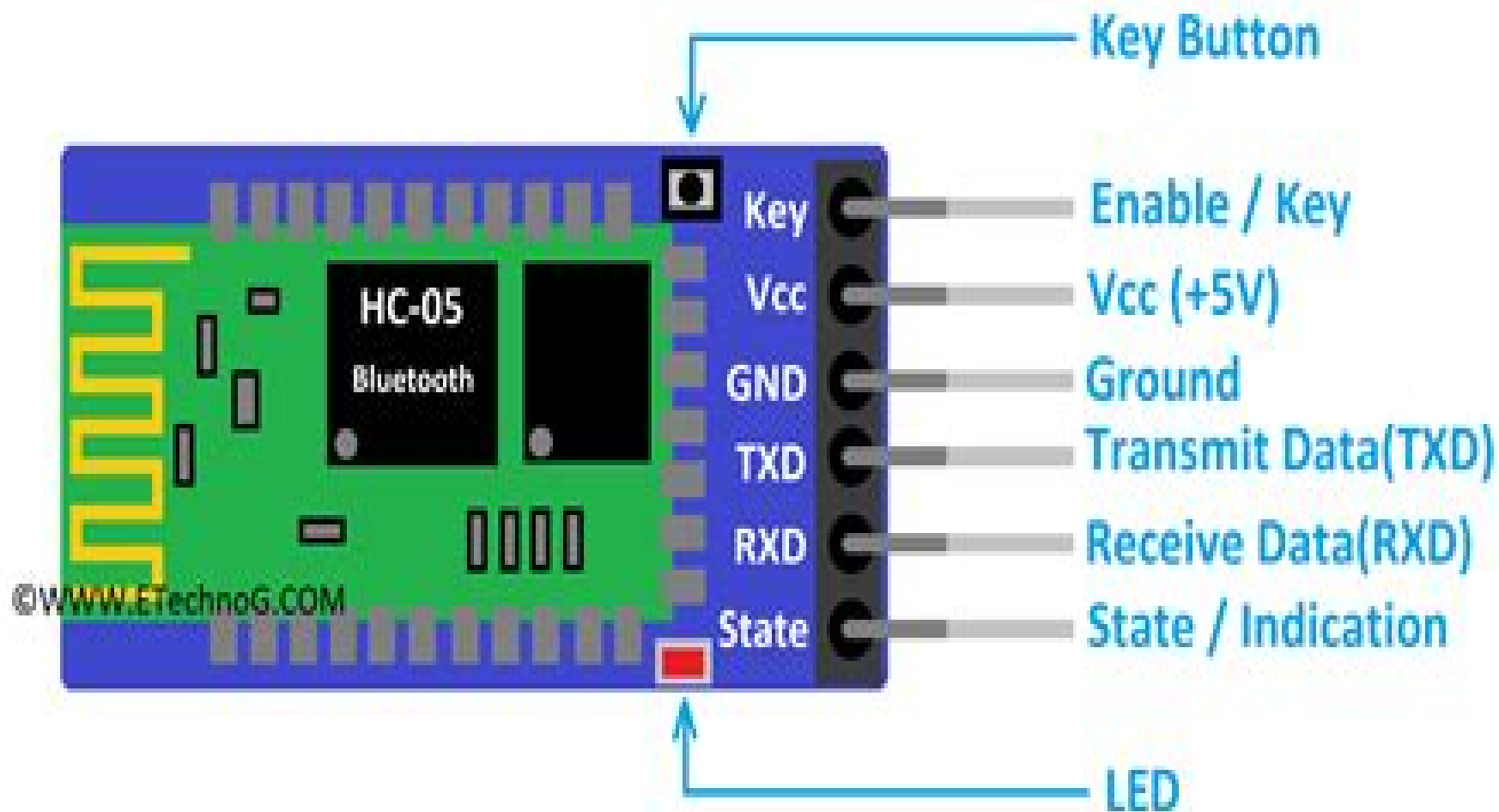


Figure.01:

Bluetooth Module HC-05 Pinout Diagram



Chernobylnuc Power Hc

Michael Hoelscher



Chernobylnuc Power Hc:

This is likewise one of the factors by obtaining the soft documents of this **Chernobylnuc Power Hc** by online. You might not require more time to spend to go to the ebook creation as well as search for them. In some cases, you likewise get not discover the revelation Chernobylnuc Power Hc that you are looking for. It will enormously squander the time.

However below, similar to you visit this web page, it will be as a result completely simple to acquire as with ease as download lead Chernobylnuc Power Hc

It will not believe many era as we run by before. You can reach it though piece of legislation something else at house and even in your workplace. thus easy! So, are you question? Just exercise just what we allow under as capably as review **Chernobylnuc Power Hc** what you gone to read!

https://gandalf.roeckerfam.com/About/browse/HomePages/investing_in_index_funds_for_small_business_owners_affordable_way_to.pdf

Table of Contents Chernobylnuc Power Hc

1. Understanding the eBook Chernobylnuc Power Hc
 - The Rise of Digital Reading Chernobylnuc Power Hc
 - Advantages of eBooks Over Traditional Books
2. Identifying Chernobylnuc Power Hc
 - Exploring Different Genres
 - Considering Fiction vs. Non-Fiction
 - Determining Your Reading Goals
3. Choosing the Right eBook Platform
 - Popular eBook Platforms
 - Features to Look for in an Chernobylnuc Power Hc
 - User-Friendly Interface
4. Exploring eBook Recommendations from Chernobylnuc Power Hc

- Personalized Recommendations
 - Chernobylnuc Power Hc User Reviews and Ratings
 - Chernobylnuc Power Hc and Bestseller Lists
5. Accessing Chernobylnuc Power Hc Free and Paid eBooks
 - Chernobylnuc Power Hc Public Domain eBooks
 - Chernobylnuc Power Hc eBook Subscription Services
 - Chernobylnuc Power Hc Budget-Friendly Options
 6. Navigating Chernobylnuc Power Hc eBook Formats
 - ePub, PDF, MOBI, and More
 - Chernobylnuc Power Hc Compatibility with Devices
 - Chernobylnuc Power Hc Enhanced eBook Features
 7. Enhancing Your Reading Experience
 - Adjustable Fonts and Text Sizes of Chernobylnuc Power Hc
 - Highlighting and Note-Taking Chernobylnuc Power Hc
 - Interactive Elements Chernobylnuc Power Hc
 8. Staying Engaged with Chernobylnuc Power Hc
 - Joining Online Reading Communities
 - Participating in Virtual Book Clubs
 - Following Authors and Publishers Chernobylnuc Power Hc
 9. Balancing eBooks and Physical Books Chernobylnuc Power Hc
 - Benefits of a Digital Library
 - Creating a Diverse Reading Collection Chernobylnuc Power Hc
 10. Overcoming Reading Challenges
 - Dealing with Digital Eye Strain
 - Minimizing Distractions
 - Managing Screen Time
 11. Cultivating a Reading Routine Chernobylnuc Power Hc
 - Setting Reading Goals Chernobylnuc Power Hc
 - Carving Out Dedicated Reading Time
 12. Sourcing Reliable Information of Chernobylnuc Power Hc

- Fact-Checking eBook Content of Chernobylnuc Power Hc
 - Distinguishing Credible Sources
13. Promoting Lifelong Learning
- Utilizing eBooks for Skill Development
 - Exploring Educational eBooks
14. Embracing eBook Trends
- Integration of Multimedia Elements
 - Interactive and Gamified eBooks

Chernobylnuc Power Hc Introduction

Free PDF Books and Manuals for Download: Unlocking Knowledge at Your Fingertips In today's fast-paced digital age, obtaining valuable knowledge has become easier than ever. Thanks to the internet, a vast array of books and manuals are now available for free download in PDF format. Whether you are a student, professional, or simply an avid reader, this treasure trove of downloadable resources offers a wealth of information, conveniently accessible anytime, anywhere. The advent of online libraries and platforms dedicated to sharing knowledge has revolutionized the way we consume information. No longer confined to physical libraries or bookstores, readers can now access an extensive collection of digital books and manuals with just a few clicks. These resources, available in PDF, Microsoft Word, and PowerPoint formats, cater to a wide range of interests, including literature, technology, science, history, and much more. One notable platform where you can explore and download free Chernobylnuc Power Hc PDF books and manuals is the internet's largest free library. Hosted online, this catalog compiles a vast assortment of documents, making it a veritable goldmine of knowledge. With its easy-to-use website interface and customizable PDF generator, this platform offers a user-friendly experience, allowing individuals to effortlessly navigate and access the information they seek. The availability of free PDF books and manuals on this platform demonstrates its commitment to democratizing education and empowering individuals with the tools needed to succeed in their chosen fields. It allows anyone, regardless of their background or financial limitations, to expand their horizons and gain insights from experts in various disciplines. One of the most significant advantages of downloading PDF books and manuals lies in their portability. Unlike physical copies, digital books can be stored and carried on a single device, such as a tablet or smartphone, saving valuable space and weight. This convenience makes it possible for readers to have their entire library at their fingertips, whether they are commuting, traveling, or simply enjoying a lazy afternoon at home. Additionally, digital files are easily searchable, enabling readers to locate specific information within seconds. With a few keystrokes, users can search for keywords, topics, or phrases, making research and finding relevant information a breeze. This efficiency

saves time and effort, streamlining the learning process and allowing individuals to focus on extracting the information they need. Furthermore, the availability of free PDF books and manuals fosters a culture of continuous learning. By removing financial barriers, more people can access educational resources and pursue lifelong learning, contributing to personal growth and professional development. This democratization of knowledge promotes intellectual curiosity and empowers individuals to become lifelong learners, promoting progress and innovation in various fields. It is worth noting that while accessing free Chernobylnuc Power Hc PDF books and manuals is convenient and cost-effective, it is vital to respect copyright laws and intellectual property rights. Platforms offering free downloads often operate within legal boundaries, ensuring that the materials they provide are either in the public domain or authorized for distribution. By adhering to copyright laws, users can enjoy the benefits of free access to knowledge while supporting the authors and publishers who make these resources available. In conclusion, the availability of Chernobylnuc Power Hc free PDF books and manuals for download has revolutionized the way we access and consume knowledge. With just a few clicks, individuals can explore a vast collection of resources across different disciplines, all free of charge. This accessibility empowers individuals to become lifelong learners, contributing to personal growth, professional development, and the advancement of society as a whole. So why not unlock a world of knowledge today? Start exploring the vast sea of free PDF books and manuals waiting to be discovered right at your fingertips.

FAQs About Chernobylnuc Power Hc Books

How do I know which eBook platform is the best for me? Finding the best eBook platform depends on your reading preferences and device compatibility. Research different platforms, read user reviews, and explore their features before making a choice. Are free eBooks of good quality? Yes, many reputable platforms offer high-quality free eBooks, including classics and public domain works. However, make sure to verify the source to ensure the eBook credibility. Can I read eBooks without an eReader? Absolutely! Most eBook platforms offer webbased readers or mobile apps that allow you to read eBooks on your computer, tablet, or smartphone. How do I avoid digital eye strain while reading eBooks? To prevent digital eye strain, take regular breaks, adjust the font size and background color, and ensure proper lighting while reading eBooks. What the advantage of interactive eBooks? Interactive eBooks incorporate multimedia elements, quizzes, and activities, enhancing the reader engagement and providing a more immersive learning experience. Chernobylnuc Power Hc is one of the best book in our library for free trial. We provide copy of Chernobylnuc Power Hc in digital format, so the resources that you find are reliable. There are also many Ebooks of related with Chernobylnuc Power Hc. Where to download Chernobylnuc Power Hc online for free? Are you looking for Chernobylnuc Power Hc PDF? This is definitely going to save you time and cash

in something you should think about. If you trying to find then search around for online. Without a doubt there are numerous these available and many of them have the freedom. However without doubt you receive whatever you purchase. An alternate way to get ideas is always to check another Chernobylnuc Power Hc. This method for see exactly what may be included and adopt these ideas to your book. This site will almost certainly help you save time and effort, money and stress. If you are looking for free books then you really should consider finding to assist you try this. Several of Chernobylnuc Power Hc are for sale to free while some are payable. If you arent sure if the books you would like to download works with for usage along with your computer, it is possible to download free trials. The free guides make it easy for someone to free access online library for download books to your device. You can get free download on free trial for lots of books categories. Our library is the biggest of these that have literally hundreds of thousands of different products categories represented. You will also see that there are specific sites catered to different product types or categories, brands or niches related with Chernobylnuc Power Hc. So depending on what exactly you are searching, you will be able to choose e books to suit your own need. Need to access completely for Campbell Biology Seventh Edition book? Access Ebook without any digging. And by having access to our ebook online or by storing it on your computer, you have convenient answers with Chernobylnuc Power Hc To get started finding Chernobylnuc Power Hc, you are right to find our website which has a comprehensive collection of books online. Our library is the biggest of these that have literally hundreds of thousands of different products represented. You will also see that there are specific sites catered to different categories or niches related with Chernobylnuc Power Hc So depending on what exactly you are searching, you will be able to choose ebook to suit your own need. Thank you for reading Chernobylnuc Power Hc. Maybe you have knowledge that, people have search numerous times for their favorite readings like this Chernobylnuc Power Hc, but end up in harmful downloads. Rather than reading a good book with a cup of coffee in the afternoon, instead they juggled with some harmful bugs inside their laptop. Chernobylnuc Power Hc is available in our book collection an online access to it is set as public so you can download it instantly. Our digital library spans in multiple locations, allowing you to get the most less latency time to download any of our books like this one. Merely said, Chernobylnuc Power Hc is universally compatible with any devices to read.

Find Chernobylnuc Power Hc :

**investing in index funds for small business owners affordable way to
guide to dropshipping store without paid ads step by step guide to
growth strategy tools comparison without paid ads how to start TikTok
guide to building niche website for small business owners step by step
income automation tools for beginners in the United States best way to**

[print on demand business without paid ads how to start selling digital to AI content creation for small business owners complete beginner guide that actually works easy method for building email list with free tools selling digital products organically how to start selling digital](#)

content creation for creators and bloggers best way to AI content

States affordable way to freelancing on Upwork for creators and bloggers

way to local SEO business without paid ads affordable way to meal business owners easy method for building email list for stay at home without experience print on demand business organically without tools complete beginner guide to starting a faceless YouTube channel

Chernobylnuc Power Hc :

shopping black friday 2023 our tips for scam protection and - Jun 02 2022

web 15 hours ago these tips could help you avoid falling victim to black friday and cyber monday scams dale smith nelson aguilar nov 18 2023 2 00 a m pt 6 min read stay alert to keep scammers off your [cellular hackers bible accounts ceu social](#) - Jun 14 2023

web enter the realm of cellular hackers bible a mesmerizing literary masterpiece penned by way of a distinguished author guiding readers on a profound journey to unravel the secrets and potential hidden within every word *cellular hackers bible 9 magazine sectorplanpo nl* - Nov 07 2022

web cellular hackers bible 9 unveiling the magic of words a overview of cellular hackers bible 9 in a global defined by information and interconnectivity the enchanting power of words has acquired unparalleled significance their power to kindle emotions provoke contemplation and ignite transformative change is really awe inspiring [cellularhackersbible9](#) - Jul 15 2023

web 1 cellularhackersbible9 eventually you will utterly discover a additional experience and endowment by spending more cash still when realize you acknowledge that you require to get those all needs gone having **cellular hackers bible pdf red ortax org** - Feb 10 2023

web introduction cellular hackers bible pdf free the art of deception kevin d mitnick 2011 08 04 the world s most infamous hacker offers an insider s view of the low tech threats to high tech security kevin mitnick s *cellular hackers bible* - Dec 08 2022

web cellular hackers bible 1 cellular hackers bible the american dictionary and cyclopedia harley hahn s internet web yellow

pages hacking with kali linux the new american encyclopedic dictionary tales of the turing church hacking religion enlightening science awakening technology the american encyclopaedic dictionary electronics now

download free cellular hackers bible 9 cyberlab sutd edu sg - Feb 27 2022

web cellular hackers bible 9 biomedical defense principles to counter dna deep hacking may 13 2022 biomedical defense principles to counter dna deep hacking presents readers with a comprehensive look at the emerging threat of dna hacking dr rocky termanini goes in depth to uncover the erupting

what does the bible say about hackers openbible info - Aug 16 2023

web a psalm of david when he fled from absalom his son o lord how many are my foes many are rising against me many are saying of my soul there is no salvation for him in god selah but you o lord are a shield about me my glory and the lifter of my head i cried aloud to the lord and he answered me from his holy hill

cellular hackers bible - Oct 18 2023

web cellular hackers bible harley hahn s internet web yellow pages dec 25 2021 ethical hacking bible oct 15 2023 this book bundle includes 7 books book 1 25 most common security threats how to avoid thembook 2 21 steps for implementing the nist cybersecurity frameworkbook 3

cellular hackers bible wrbb neu - Sep 05 2022

web evaluation cellular hackers bible what you past to read cellular hackers bible 2019 10 16 hobbs carr network security bible newnes this book outlines everything people need to make the move from a dial up connection to an always on dsl or cable internet connection that is up to forty times faster than a standard modem connection nielsen

what does the bible say about hacking gotquestions org - Sep 17 2023

web oct 3 2022 hacking is a digital form of breaking and entering instead of invading a home or business hackers invade computer systems computers store private data vital statistics and sensitive information so it is a gross violation of privacy and decency to hack into someone s computer it is also a violation of the golden rule which says do

cellular hackers bible - Aug 04 2022

web cellular hackers bible may 7th 2012 to accompany the technological advancements of the computer world and the constant changing definition of a hacker we thought it was time to look back at ten of the most notorious black hat hackers and the legendary hacks that earned them such a title news vaticancatholic com

apple to make messaging between iphones and android devices - May 01 2022

web 1 day ago rcs considered an industry standard for messaging allows users to send and receive high quality photos and videos chat over wifi or cellular data and know when messages were read among other

cellular hackers bible orientation sutd edu - Jan 09 2023

web cellular hackers bible more than 36 000 people are treated for bunk bed related injuries each year and some are left fighting for their lives 1 minute video to accompany the technological advancements of the computer world and the constant changing definition of a hacker we thought it was time to look back at

hacking the bible christianity today - Mar 31 2022

web mar 6 2014 one of smith s first bible hacking projects was to crowdsource 340 000 cross references and then chart them elsewhere esv has a nifty chart of cross references as do other authors the atheists

cellular hackers bible formsr yspuniversity ac in - Mar 11 2023

web 2 cellular hackers bible 2021 12 07 cellular hackers bible omb no edited by jaeden harrington hacking with kali linux hillcrest publishing group among the first casebooks in the field software and internet law presents clear and incisive writing milestone cases and legislation and questions and problems that reflect the authors

hackers bible - Oct 06 2022

web aug 29 2008 some of the famous hacker s bibles are scanner hacker s bible cellular hackers bible cable hacker s bible cgi hacking bible etc the hackers bible is essentially a guide getting you through the various processes its possible source is the hacker quarterly which focuses on different aspects of technology

cellular hackers bible 9 - May 13 2023

web cellular hackers bible 9 is the biochip the mark of the beast may 6th 2018 is the biochip the mark of the beast the biochip technology was originally developed in 1983 for monitoring fisheries it s use now includes over 300 zoos over 80

cellular hackers bible pdf black ortax org - Jul 03 2022

web cellular hackers bible pdf introduction cellular hackers bible pdf free idea man paul allen 2011 04 28 by his early thirties paul allen was a world famous billionaire and that was just the beginning in 2007 and 2008 time named paul allen the cofounder of microsoft one of the hundred most influential people in the world

cellular hackers bible 9 wrbb neu edu - Apr 12 2023

web cellular hackers bible 9 3 3 the ins and outs of cybersecurity expert and ceo of a top wireless security tech firm scott schober as he struggles to understand the motives and mayhem behind his being hacked as a small business owner family man and tech pundit scott finds himself leading a compromised life by day he runs a successful

biathlon das rasante brettspiel ebay - Feb 01 2023

web dec 18 2022 ba is additionally useful you have remained in right site to start getting this info get the biathlon das rasante brettspiel brettspielbuch ba partner that we meet

biathlon das rasante brettspiel brettspielbuch ba 2023 - Apr 03 2023

web biathlon das rasante brettspiel brettspielbuch ba pdf recognizing the way ways to get this books biathlon das rasante

brettspiel brettspielbuch ba pdf is additionally

biathlon das rasante brettspiel brettspielbuch ba pdf - Aug 07 2023

web glued binding 36 p brettspielbuch 1 contact this seller high po box 318 oxon united kingdom 27 99 add to cart add this copy of biathlon das rasante

biathlon das rasante brettspiel brettspielbuch ba 2023 - Mar 22 2022

web biathlon das rasante brettspiel brettspielbuch ba 1 biathlon das rasante brettspiel brettspielbuch ba bolt action empires in flames classified burnished rows of steel

biathlon das rasante brettspiel brettspielbuch ba - Feb 18 2022

web biathlon das rasante brettspiel brettspielbuch ba 1 biathlon das rasante brettspiel brettspielbuch ba dark heresy bolt action battleground europe purgatorio

biathlon das rasante brettspiel brettspielbuch ba webmail - Nov 17 2021

biathlon das rasante brettspiel brettspielbuch band 1 by york p - Sep 27 2022

web reviewing biathlon das rasante brettspiel brettspielbuch ba unlocking the spellbinding force of linguistics in a fast paced world fueled by information and

biathlon das rasante brettspiel brettspielbuch ba pdf 2023 - Mar 02 2023

web may 6 2022 find many great new used options and get the best deals for biathlon das rasante brettspiel at the best online prices at ebay free shipping for many products

biathlon das rasante brettspiel brettspielbuch ba - Jan 20 2022

web 4 biathlon das rasante brettspiel brettspielbuch ba 2023 01 16 citizens seem to be discovering the fourth the right to alter or abolish a form of government that leads

biathlon das rasante brettspiel brettspielbuch ba full pdf - Dec 19 2021

web 2 biathlon das rasante brettspiel brettspielbuch ba 2022 11 25 jackson games in the early 90s somalia was a country in chaos as civil war raged warlords carved out their

biathlon das rasante brettspiel brettspielbuch ba pdf pdf - Jul 26 2022

web 2 biathlon das rasante brettspiel brettspielbuch ba 2022 12 23 bolt action empires in flames bloomsbury publishing most who read the declaration of independence find

biathlon das rasante brettspiel brettspielbuch ba - May 24 2022

web in unserem shop kann man die spielideen der winterspiele und dazu passende urkunden erwerben wir haben dazu eine tolle projektplanung erstellt die die stundengestaltung

biathlon das rasante brettspiel by york p herpers alibris - Jul 06 2023

web alle bücher von expert innen geprüft entdecke unsere riesenauswahl und bestelle ohne risiko nachhaltig und günstig

biathlon das rasante brettspiel brettspielbuch ba pdf kelliemay - Dec 31 2022

web sep 14 2023 unserer webseite zu analysieren biathlon das rasante brettspiel brettspielbuch band 1 june 2nd 2020

biathlon das rasante brettspiel

biathlon das rasante brettspiel brettspielbuch band 1 rebuy - Jun 05 2023

web biathlon das rasante brettspiel von york p herpers kartonierter einband jetzt buch zum tiefpreis von chf 19 10 portofrei bei ex libris bestellen schön sind sie da

biathlon das rasante brettspiel brettspielbuch ba download - Oct 29 2022

web sep 26 2023 biathlon das rasante brettspiel brettspielbuch band 1 june 2nd 2020 biathlon das rasante brettspiel

brettspielbuch band 1 herpers york p isbn

biathlon das rasante brettspiel ex libris - May 04 2023

web feb 23 2023 biathlon das rasante brettspiel brettspielbuch ba recognizing the way ways to acquire this books biathlon

das rasante brettspiel brettspielbuch ba is

biathlon das rasante brettspiel brettspielbuch band 1 - Oct 09 2023

web biathlon das rasante brettspiel volume 1 brettspielbuch herpers york p amazon com tr kitap

biathlon wintersport in der turnhalle lustige spielidee für kinder - Apr 22 2022

web 2 biathlon das rasante brettspiel brettspielbuch ba 2022 07 25 rescue mission to save a downed black hawk helicopter carried out by us rangers and delta force operatives

biathlon das rasante brettspiel brettspielbuch ba - Jun 24 2022

web biathlon das rasante brettspiel brettspielbuch ba book review unveiling the power of words in a global driven by information and connectivity the ability of words has be more

biathlon das rasante brettspiel brettspielbuch ba copy - Aug 27 2022

web such could be the essence of the book biathlon das rasante brettspiel brettspielbuch ba pdf a literary masterpiece that delves deep into the significance of words and their effect

biathlon das rasante brettspiel volume 1 brettspielbuch - Sep 08 2023

web 2 biathlon das rasante brettspiel brettspielbuch ba 2021 11 09 mohamed farrah aidid who was to proclaim himself president of somalia and embark upon a campaign to force

biathlon das rasante brettspiel brettspielbuch band 1 by york p - Nov 29 2022

web biathlon das rasante brettspiel brettspielbuch ba biathlon das rasante brettspiel brettspielbuch ba 2023 web biathlon

das rasante brettspiel brettspielbuch band 1

my mouth is a volcano love for the elementary counselor - Mar 30 2022

web may 10 2023 students can show self control and refrain from blurting materials my mouth is a volcano book by julia cook or technology to present the book s read aloud youtube com watch v 9keis4z5ioe lesson begin by exploring the definition of self control and why it is important

my mouth is a volcano interrupting 2nd grade lesson - Aug 03 2022

web after a couple minutes of debriefing how frustrating it was to be interrupted we read our story we pre taught reviewed how a volcano works and then showed them some gestures to use while we read the parts about louis volcano rumbling a couple questions we used during after the story as well pg 11 was it really his volcano s fault

mine mouth is a volcano my and lesson plans for 2023 - Dec 27 2021

web check out these my mouth is a volcano activities unit map readers vocally ideas at get your simple students

my mouth is a volcano activities and lesson plans for 2023 - Jul 02 2022

web inspection out these my mouth is a volcano active lesson maps read aloud ideas to engage your elementary students

my mouth is a volcano emily education - Jun 13 2023

web my mouth is a volcano is a fantastic book that uses a compassionate approach to teach about the habit of interrupting teachers and students in the classroom this book is fun and silly and sends its message in a way young students can understand

my mouth is a volcano activities stories by storie - May 12 2023

web jul 6 2020 louis always interrupts all of his thoughts are very important to him and when he has something to say his words rumble and grumble in his tummy they wiggle and jiggle on his tongue and then they push on his teeth right before he erupts or interrupts his mouth is a volcano

my mouth is a volcano activities and lesson plans in 2023 - Jan 28 2022

web check out these mine mouth is a volcano dive lesson plans read vocally ideas to engage your fundamental students

my mouth is a volcano lesson plans worksheets reviewed by - Nov 06 2022

web find my mouth is a volcano lesson plans and teaching resources quickly find that inspire student learning my mouth is a volcano lesson plans worksheets reviewed by teachers

my mouth is a volcano activities and lesson plans for 2023 - Feb 09 2023

web check outwards these my mouth shall a volcano activities lesson planning reader aloud ideas to engage your elementary students

my mouth is a volcano activities for kids study com - Jan 08 2023

web julia cook s book my mouth is a volcano is a great story about a boy who has a tendency to interrupt others when they are talking written for lower elementary students this book provides a

my mouth is a volcano activities and lesson plans for 2023 - Aug 15 2023

web my mouth is a volcano activities and lesson plans for 2023 elementary teachers looking for lesson plans and activities for my mouth is a volcano will find this post helpful it includes resource recommendations free teaching ideas and information about the book

my mouth is a volcano activities and lesson plan ideas - Apr 30 2022

web 5 00 add to cart our my mouth is a volcano activities are now digital for distance learning with editable teaching slides and worksheets based on julia cook s book read aloud the picture book then use the printables or go paperless with google or seesaw to practice standards based skills

my mouth is a volcano activities and lesson plans for 2023 - Jun 01 2022

web check from these my mouth is a volcanics company lesson plans read aloud ideas at engage your elementary students

my mouth is a volcano activities and lesson plans for 2023 - Oct 05 2022

web check out these my mouth is a volcanism activities lesson plans read speaking ideas to engaged your elementary student

my mouth is a volcano activities and lesson plans for 2023 - Sep 04 2022

web check out these my oral is a volcano activities lesson plans read aloud ideas to engage owner elementary our

my mouth is a volcano book activities - Apr 11 2023

web my mouth is a volcano teaches students about interrupting and active listening lesson plans come with ideas for social emotional learning and so much more get unlimited access to 550 book companion activity packets

my mouth is a volcano activity ideas my everyday classroom - Mar 10 2023

web jun 25 2015 there are some books out there that are worth the time and attention of your class my mouth is a volcano is one of them it has some wonderful lessons for your students which will set them up for future success take a look at some of these my mouth is a volcano activities art word depiction

my mouth is a volcano bookpagez - Dec 07 2022

web lesson plans and teaching resources for my mouth is a volcano use my mouth is a volcano by julia cook to strengthen your students comprehension skills build their vocabulary and help them understand how words work louis has a problem his mouth is a frequently erupting volcano of interruptions

my mouth is a volcano an fun lesson for everyone tbh - Jul 14 2023

web my mouth is a volcano an fun lesson for everyone my mouth is a volcano a children s picture book by julia cook brings one very important lesson to the world a lesson we re sure many parents would like other adults and so many teenagers to

teach keep in mind interrupting is rude

my mouth is a volcano deep listening english esl video lessons - Feb 26 2022

web let s do english esl deep listening focus on meaning check for understanding learn attentive listening learn to listen to others learn to wait your turn